



US00D977708S

(12) **United States Design Patent** (10) **Patent No.:** **US D977,708 S**
Lin (45) **Date of Patent:** **** Feb. 7, 2023**

(54) **CONE ROLLER**
(71) Applicant: **REPUBLIC BRANDS L.P.**, Glenview, IL (US)

2,594,747 A 12/1948 Laney
D223,879 S * 6/1972 Chernack D27/194
5,141,000 A * 8/1992 Ruppert A24C 5/40
131/362

(Continued)

(72) Inventor: **Mei Lin**, Northbrook, IL (US)
(73) Assignee: **REPUBLIC BRANDS L.P.**, Glenview, IL (US)

OTHER PUBLICATIONS

Plastic Herb Grinder Paper Cone Roller. By Stoners-Club. Dated Feb. 16, 2020. Found online [Jun. 9, 2022]. https://www.amazon.com/Plastic-Grinder-Roller-Tobacco-Filler/dp/B084RM3RX9/ref=sr_1_41?dchild=1&keywords=cone+roller&qid=1629223997&sr=8-41 (Year: 2020).*

(Continued)

(**) Term: **15 Years**

(21) Appl. No.: **29/735,079**

(22) Filed: **May 18, 2020**

(51) **LOC (14) Cl.** **27-99**

(52) **U.S. Cl.**
USPC **D27/194**

(58) **Field of Classification Search**
USPC D27/100-103, 108, 125, 128, 161-194, D27/196; D7/669, 700; D9/737
CPC A24C 5/44; A24C 5/40; A24C 5/42; A24C 5/18; A24C 5/354; A24C 5/396; A24C 5/398; A24C 5/47; A24C 5/471; A24C 5/54

See application file for complete search history.

Primary Examiner — Marissa J Cash

Assistant Examiner — William B Melliar

(74) *Attorney, Agent, or Firm* — Michael Best & Friedrich LLP

(57) **CLAIM**

I claim the ornamental design for a cone roller, as shown and described.

DESCRIPTION

FIG. 1 is a perspective view of a cone roller.
FIG. 2 is a right elevation view of the cone roller shown in FIG. 1.
FIG. 3 is a left elevation view of the cone roller shown in FIG. 1.
FIG. 4 is a front elevation view of the cone roller shown in FIG. 1.
FIG. 5 is a rear elevation view of the cone roller shown in FIG. 1.
FIG. 6 is a top plan view of the cone roller shown in FIG. 1; and,
FIG. 7 is a bottom plan view of the cone roller shown in FIG. 1.

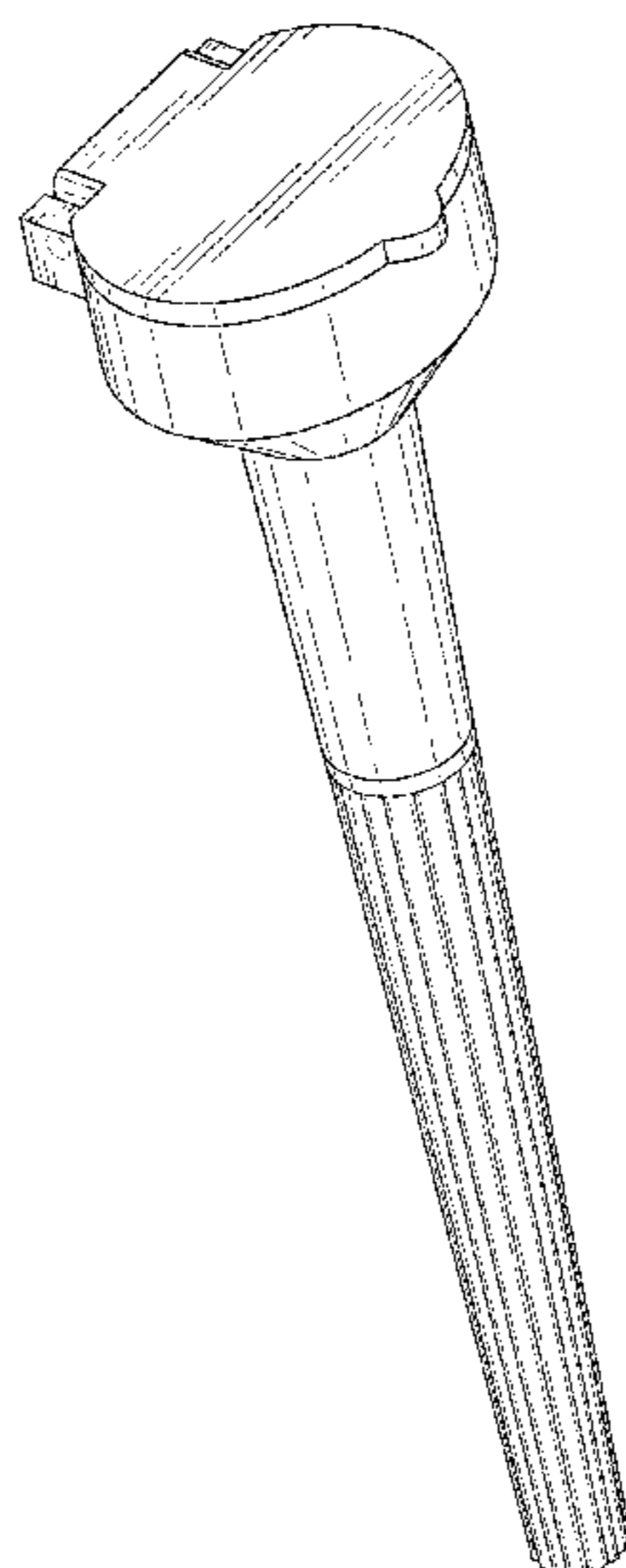
The broken lines represent portions of the cone roller that form no part of the claimed design.

1 Claim, 4 Drawing Sheets

(56) **References Cited**

U.S. PATENT DOCUMENTS

581,560 A * 4/1897 Lane A24C 5/42
131/75
601,618 A * 3/1898 Meinz A24C 5/42
131/75
603,714 A 5/1898 Veith
903,039 A 11/1908 Wood
1,187,762 A * 6/1916 Meledonian A24C 5/42
131/75
1,296,548 A 3/1919 Mondor
1,299,050 A 4/1919 Southmayd
1,363,895 A 12/1920 Mondor
1,419,224 A 6/1922 Clifford
1,534,807 A 4/1925 Pruyn
1,726,368 A 8/1929 Silke



(56)

References Cited

U.S. PATENT DOCUMENTS

D401,697 S *	11/1998	Cloonan	D24/224
D571,953 S *	6/2008	Rosso	D27/161
D574,507 S *	8/2008	Muir	D24/224
D739,075 S *	9/2015	Grumbacher	D27/195
D739,076 S *	9/2015	Grumbacher	D27/195
D741,003 S *	10/2015	Von Schoultz	D27/194
D785,234 S *	4/2017	Liu	D27/167
D820,516 S *	6/2018	Swanson	D27/196
D829,065 S *	9/2018	Marantis	D7/700
D837,999 S *	1/2019	Sasano	D24/224
D880,056 S *	3/2020	Young	D27/165
D912,511 S *	3/2021	Berry	D9/436
D912,841 S *	3/2021	Iqbal	D24/222
D941,524 S *	1/2022	Vila	D27/194
D950,844 S *	5/2022	Patel	D27/194
D953,627 S *	5/2022	Ruzycky	D27/183
2014/0182604 A1 *	7/2014	Hutton	A24C 5/42 131/70

OTHER PUBLICATIONS

Canadian Intellectual Property Office Action for Application No. 196464 dated Nov. 5, 2021 (2 pages).
 Rycones, “The Cone Roller”, <<http://www.ryocones.com/store.html>>, webpage publicly available at least as early as Oct. 2016, 4 pages.
 RAW, “RAW Cone Maker”, <<https://www.amazon.com/RAW-Cone-Maker/dp/B078ZNB8ZZ>>, available online at least as early as Sep. 8, 2019, 6 pages.
 Green Goddess Supply, “Rosewood Cone Roller Jig”, <<https://wholesale.greengoddesssupply.com/products/rosewood-cone-roller-jig>>, webpage publicly available at least as early as Jan. 2018, 4 pages.

Mind Fuel, “Cone Roller”, <<https://mindfuel.co.nz/products/joint-holder-w-cone-roller>>, webpage publicly available as early as Dec. 2019, 3 pages.
 Rolling Tray, Cigarette Rolling Machines for Rollig Papers Smoke King Size, <<https://www.dhgate.com/product/wholesale-top-quantity-smoking-rolling-machin/397010054.html>>, webpage publicly available at least as early as Jul. 2017, 16 pages.
 Cone Artist, “1 X Cone Artist Cone Roller”, found on <<https://www.amazon.com/Cone-Artist-Roller/dp/B00V2KL5CY>>, webpage publicly available at least as early as Dec. 2018, 9 pages.
 Pipe Arsenal, “Cone Roller Herb Grinder”, <<https://pipesarsenal.com/cone-roller-herb-grinder/>>, webpage publicly available at least as early as Dec. 2019, 3 pages.
 Cone Artist, “2017 New Cone Herb Gridner with Tobacco Grinder Crusher”, <<https://www.dhgate.com/product/2017-new-cone-herb-grinder-cone-artist/398305750.html>>, 2017, 10 pages.
 Canna-Shops.com, “Grinder Cone Roller”, <<https://www.canna-shops.com/fr/grinder-sans-filtre/16748179-grinder-cone-roller.html>>, 2016, 5 pages.
 Cone Artist, “2 in 1 Funnel Shape Herb Grinder Cone Roller”, <https://www.wish.com/product/2-in-1-cone-artist-funnel-shape-herb-grinder-cone-roller-herbal-tobacco-grinder-smoke-rolling-machine-smoking-accessories-5b0b7085c0d6f418218174cd?hide_login_modal=true&share=web>, 2019, 2 pages.
 Hippie Butler, “Grinder Cone Roller”, <<https://www.hippiebutler.com/product/hippie-butler-grinder-cone-roller/>>, webpage publicly available at least as early as Sep. 2018, 2 pages.
 Amazon, “Cigarette Cone Roller with Grinder 5 pack (Multi)”, <<https://www.amazon.com/Cigarette-Cone-Roller-Grinder-Multi/dp/B07N94497P>>, webpage publicly available at least as early as Oct. 2019, 6 pages.
 WensLTD, “1 PC Plastic Herb Grinder Paper Cone Roller Tobacco Filler Funnel Tool Machine”, <<https://www.amazon.com/WensLTD-Plastic-Grinder-Tobacco-Machine/dp/B07B44FH3G>>, webpage publicly available at least as early as Dec. 2019, 6 pages.

* cited by examiner

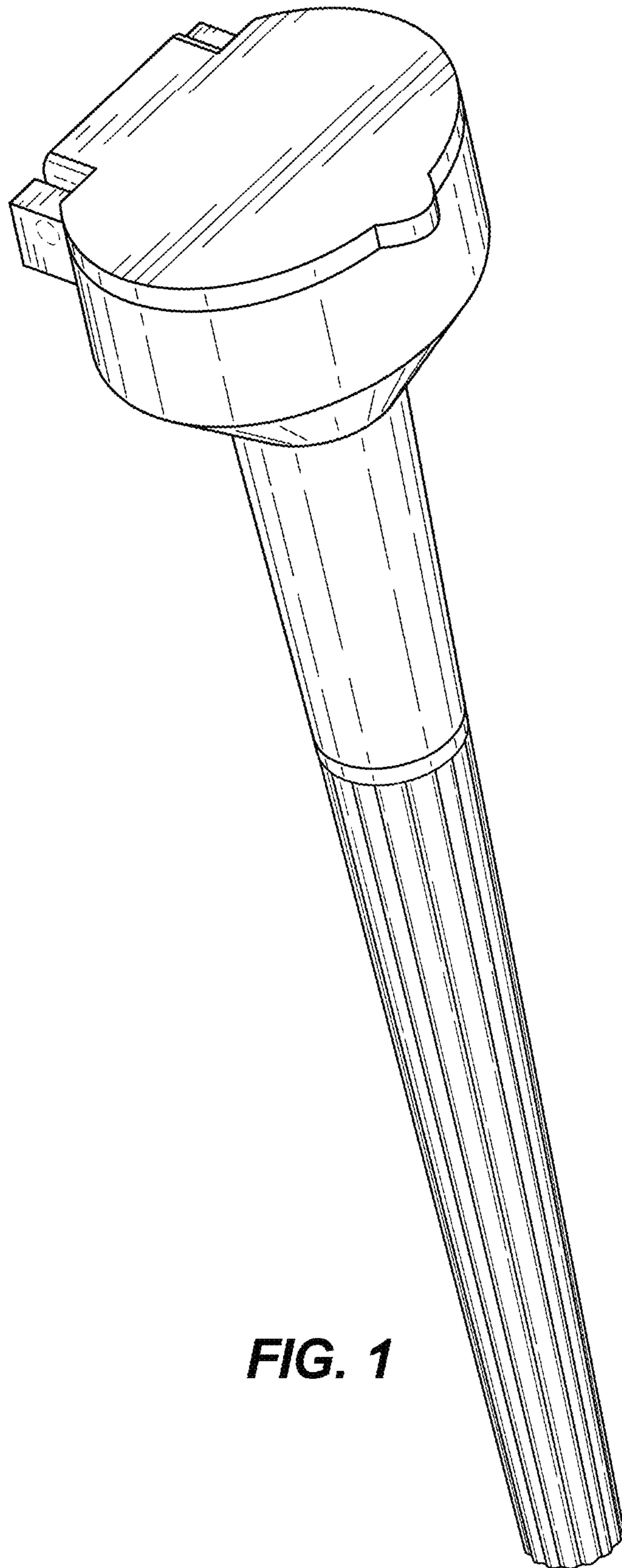


FIG. 1

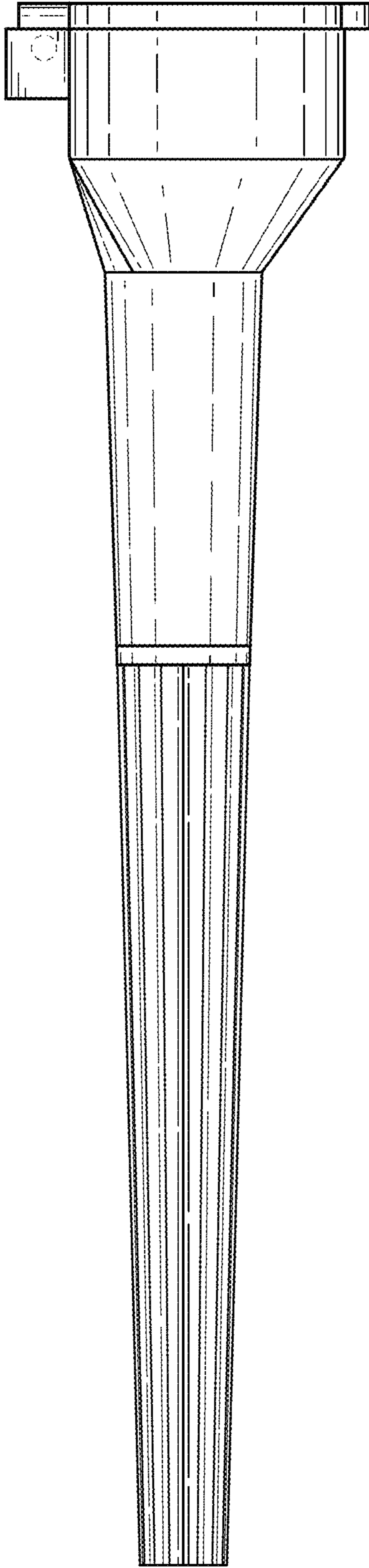


FIG. 2

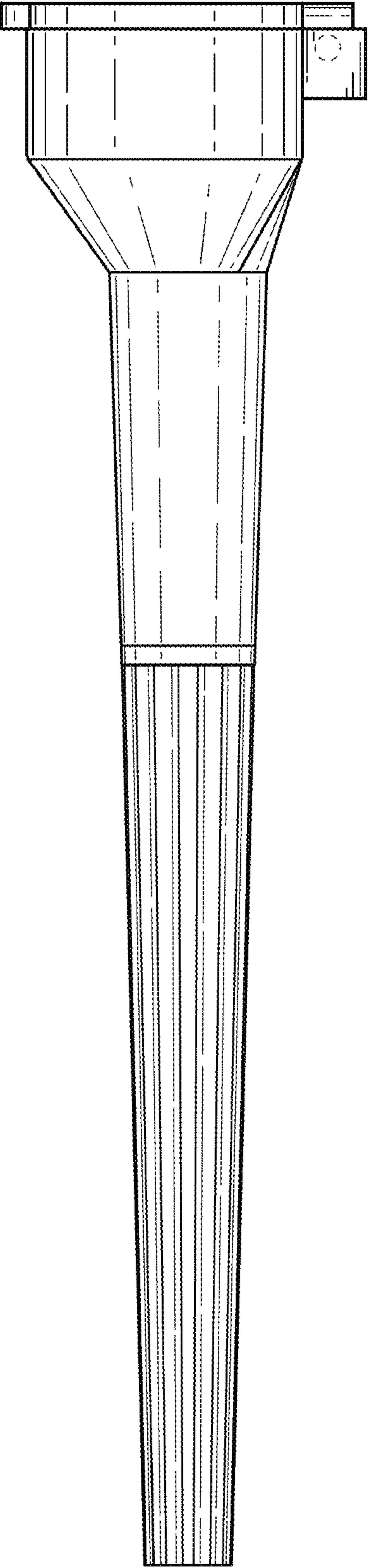


FIG. 3

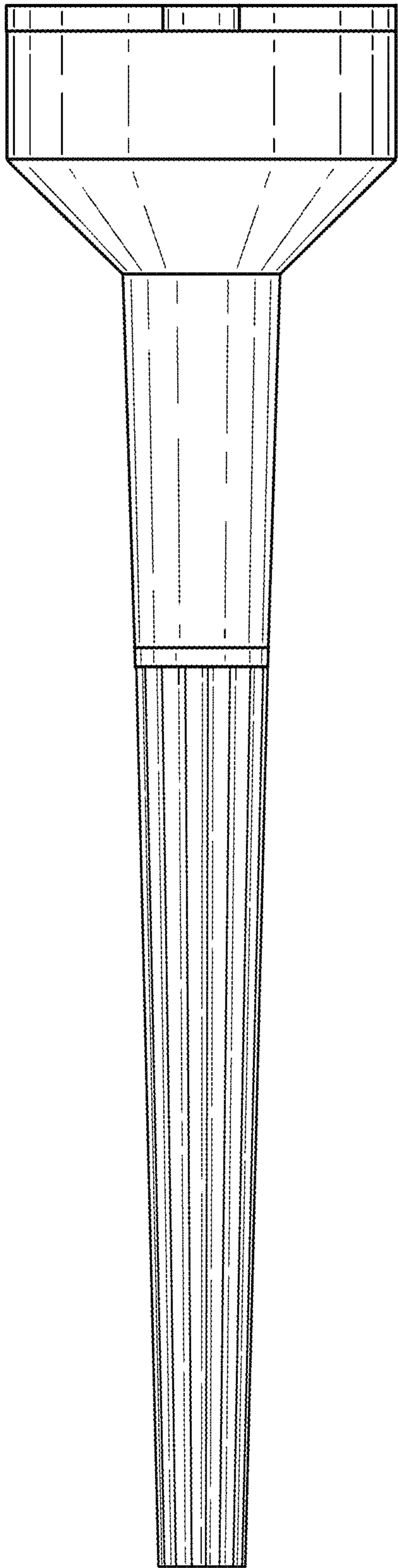


FIG. 4

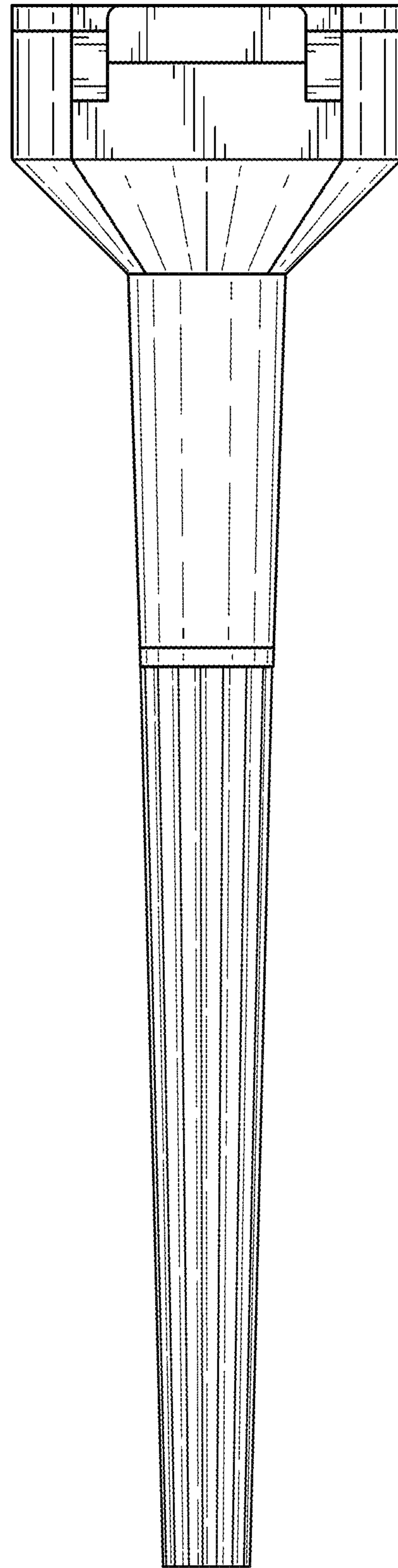


FIG. 5

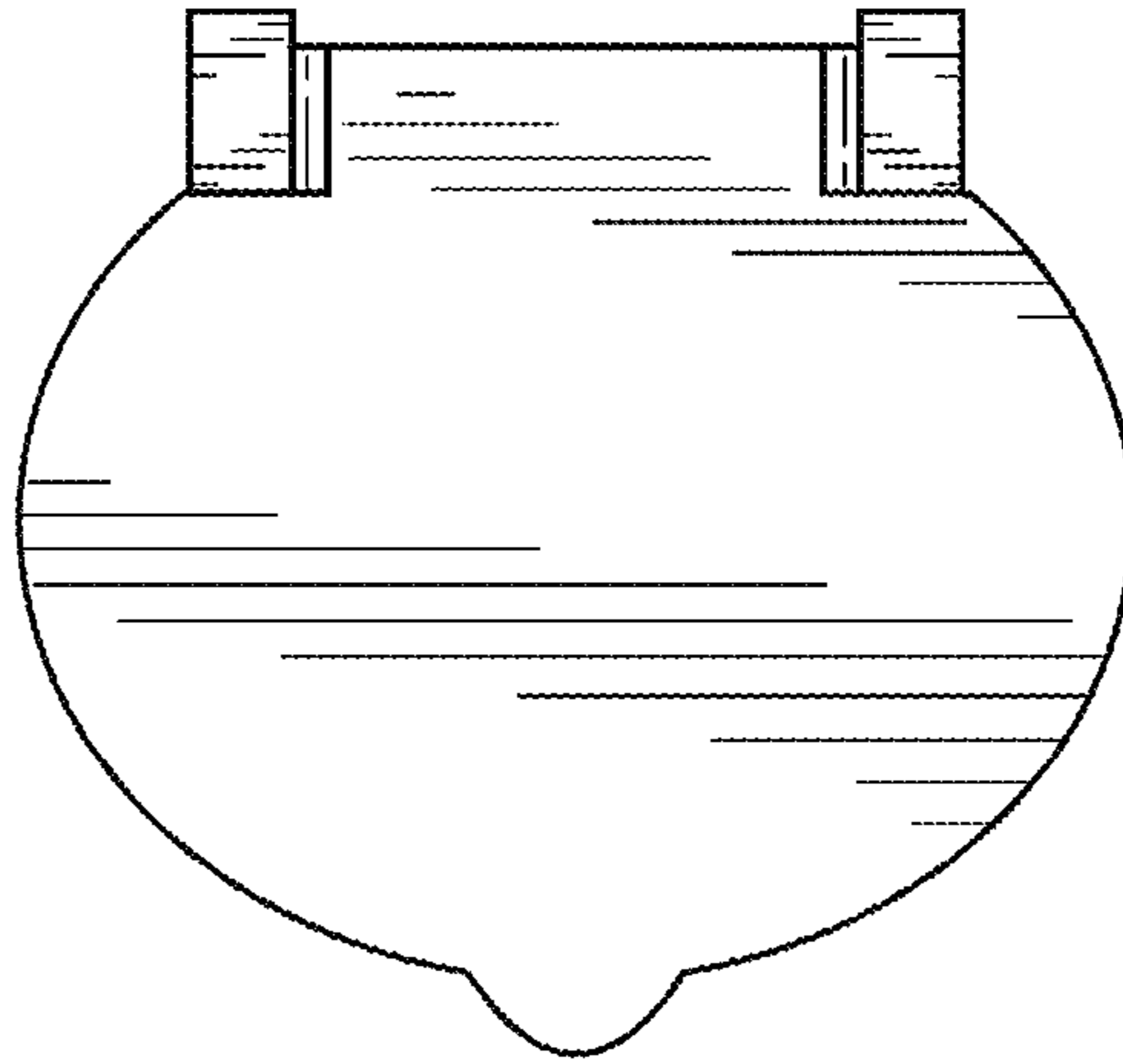


FIG. 6

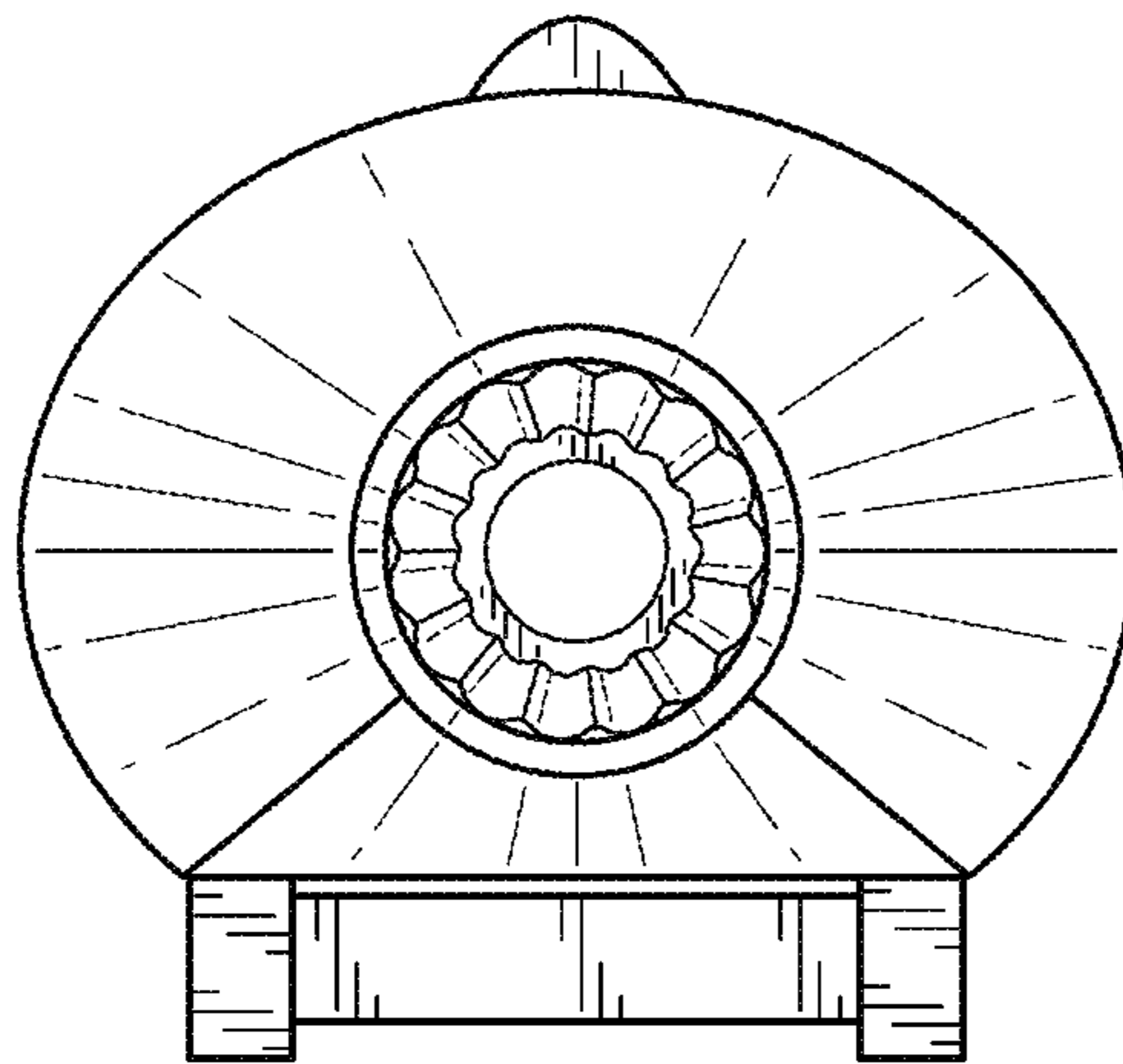


FIG. 7