



US00D977703S

(12) **United States Design Patent**
Saarnio

(10) **Patent No.:** **US D977,703 S**

(45) **Date of Patent:** **** Feb. 7, 2023**

- (54) **LIGHT DIFFUSER**
- (71) Applicant: **LEDIL OY**, Salo (FI)
- (72) Inventor: **Olli Saarnio**, Salo (FI)
- (73) Assignee: **LEDIL OY**, Salo (FI)
- (**) Term: **15 Years**
- (21) Appl. No.: **29/749,756**
- (22) Filed: **Sep. 9, 2020**

7,452,093	B2 *	11/2008	Nagao	G02B 6/0031 362/626
8,068,288	B1 *	11/2011	Pitou	F21V 5/04 359/743
D719,700	S *	12/2014	Chou	D26/120
D725,818	S *	3/2015	Yao	D26/118
D746,509	S *	12/2015	Yu	D26/120
D751,246	S *	3/2016	Yao	D26/118
D771,172	S *	11/2016	Huang	D16/134
D903,125	S *	11/2020	Burns	D24/188
11,156,343	B1 *	10/2021	Kloeppe	F21V 5/00
D955,031	S *	6/2022	Saarnio	D26/118

(Continued)

- (30) **Foreign Application Priority Data**
Mar. 9, 2020 (EM) 007742697-0004
- (51) **LOC (14) Cl.** **26-05**
- (52) **U.S. Cl.**
USPC **D26/123**
- (58) **Field of Classification Search**
USPC D10/106.1-106.8; D16/101, 134, 137;
D26/24, 51, 61, 72, 74, 85, 86, 88, 89,
D26/90, 91, 92, 113, 118, 120-123
CPC F21S 8/00; F21S 8/006; F21S 8/026; F21S
8/04; F21S 8/06; F21V 3/00; F21V 3/02;
F21V 7/00; F21V 7/0008; F21V 7/005;
F21V 7/0083; F21V 7/04; F21V 7/045;
F21V 7/05; F21V 7/06
See application file for complete search history.

- (56) **References Cited**
U.S. PATENT DOCUMENTS
D317,819 S * 6/1991 Sello D23/390
D473,009 S * 4/2003 Jarrett D26/123
6,755,556 B2 * 6/2004 Gasquet F21S 43/315
362/337
6,953,271 B2 * 10/2005 Aynie F21S 43/14
362/540
7,270,454 B2 * 9/2007 Amano F21V 5/04
362/330

OTHER PUBLICATIONS

LEDiL Product catalogue, available Jul. 12, 2022, retrieved Jul. 26, 2022 from URL: https://www.ledil.com/wp-content/uploads/2022/07/LEDiL_catalogue_2022-first-edition_v1-0_web-1.pdf (Year: 2022).*

(Continued)

Primary Examiner — Richard Kearney
Assistant Examiner — Christina M. Dodson
(74) *Attorney, Agent, or Firm* — Nixon & Vanderhye

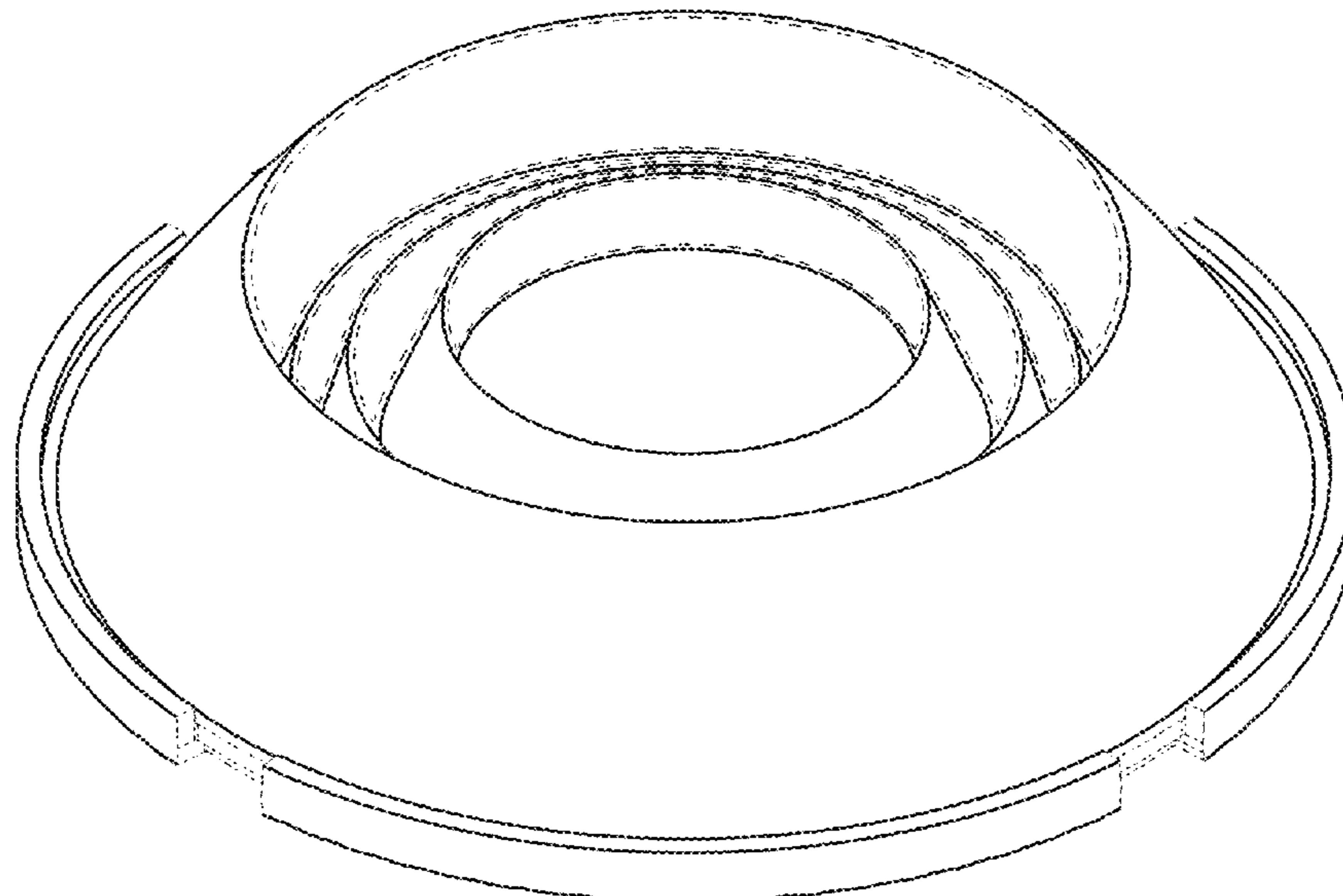
(57) **CLAIM**

The ornamental design for a light diffuser, as shown and described.

DESCRIPTION

FIG. 1 is a top perspective view of a light diffuser showing the new design;
FIG. 2 is a bottom perspective view thereof;
FIG. 3 is a top plan view thereof;
FIG. 4 is a bottom plan view thereof; and,
FIG. 5 is a side elevation view thereof.
The broken lines shown in the drawings illustrate portions of the light diffuser that form no part of the claimed design.

1 Claim, 5 Drawing Sheets



(56)

References Cited

U.S. PATENT DOCUMENTS

D957,715 S * 7/2022 Knauff D26/88

OTHER PUBLICATIONS

LEDiL Hekla Introduction & Installation, available Apr. 20, 2018,
retrieved Sep. 22, 2022 from URL: <https://www.youtube.com/watch?v=F9d2L-1l-Ro> (Year: 2018).*

* cited by examiner

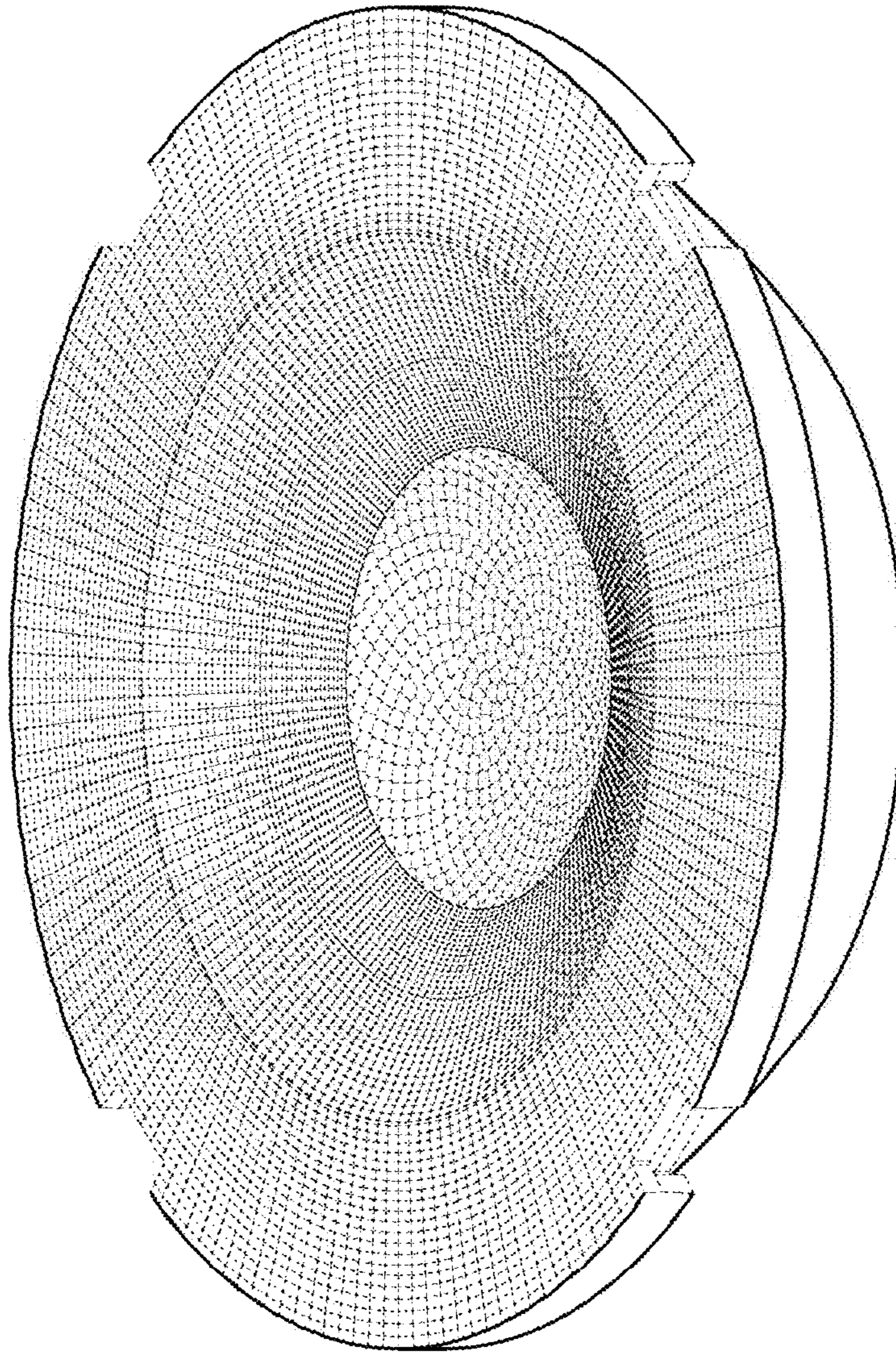


FIG. 1

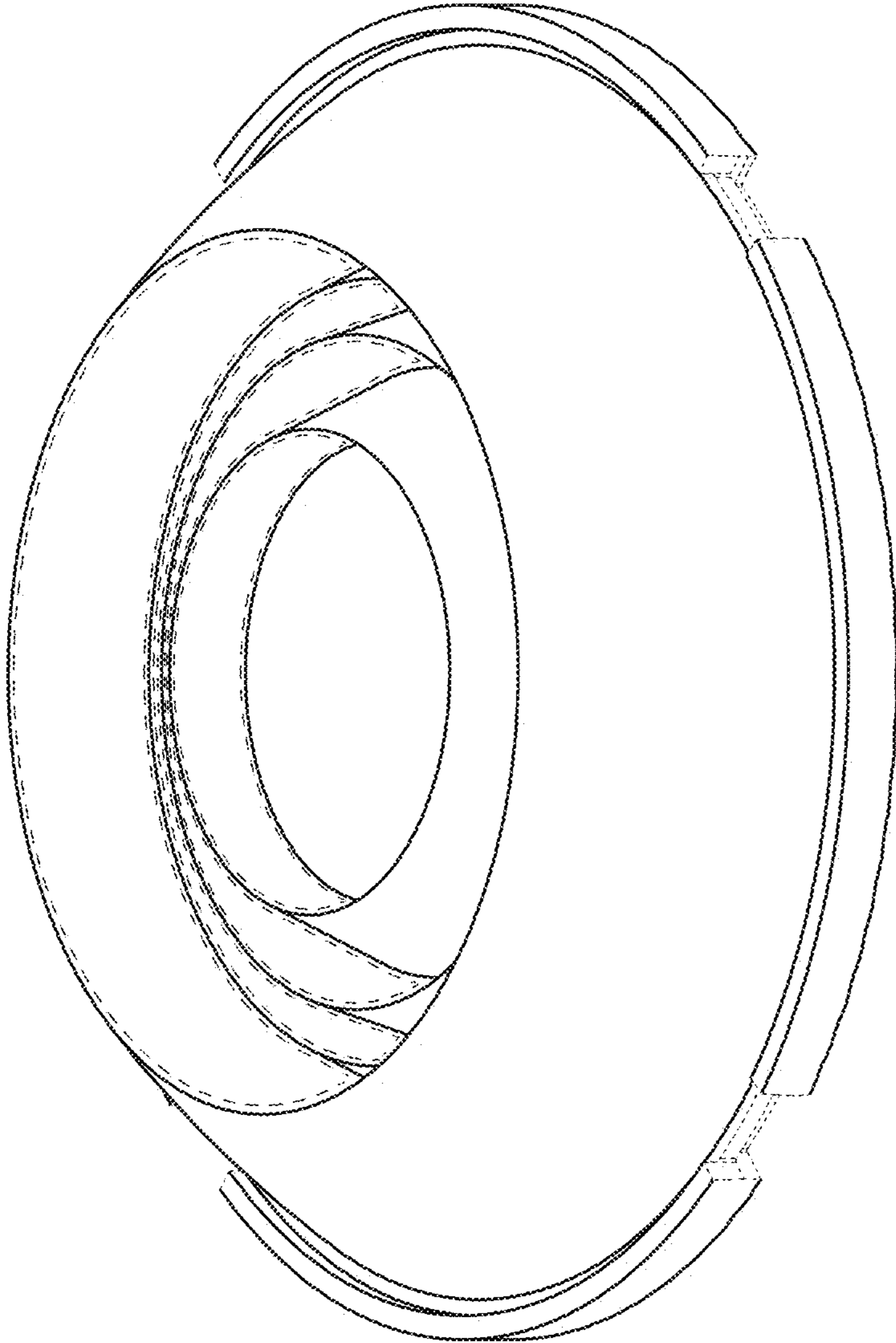


FIG. 2

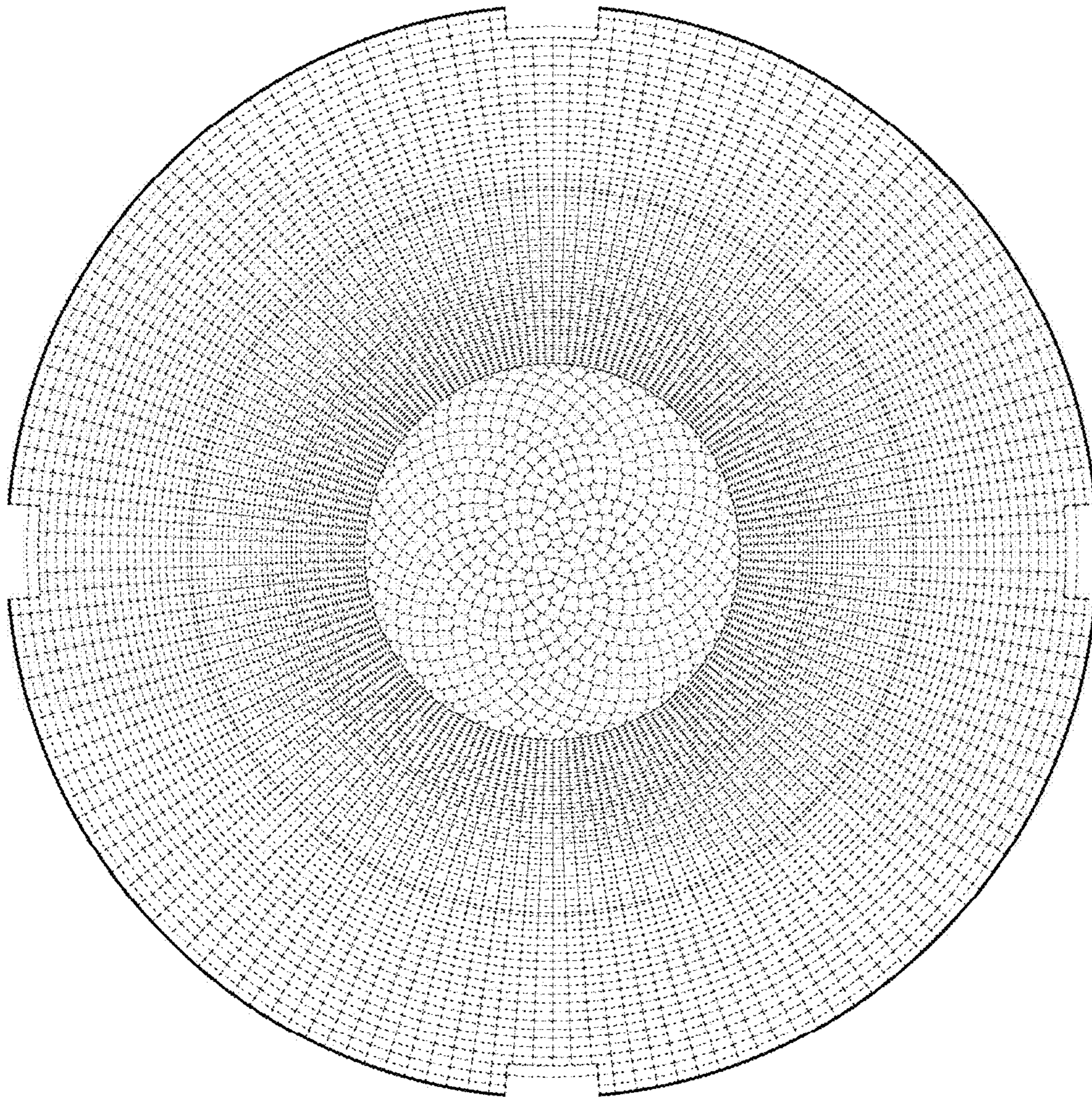


FIG. 3

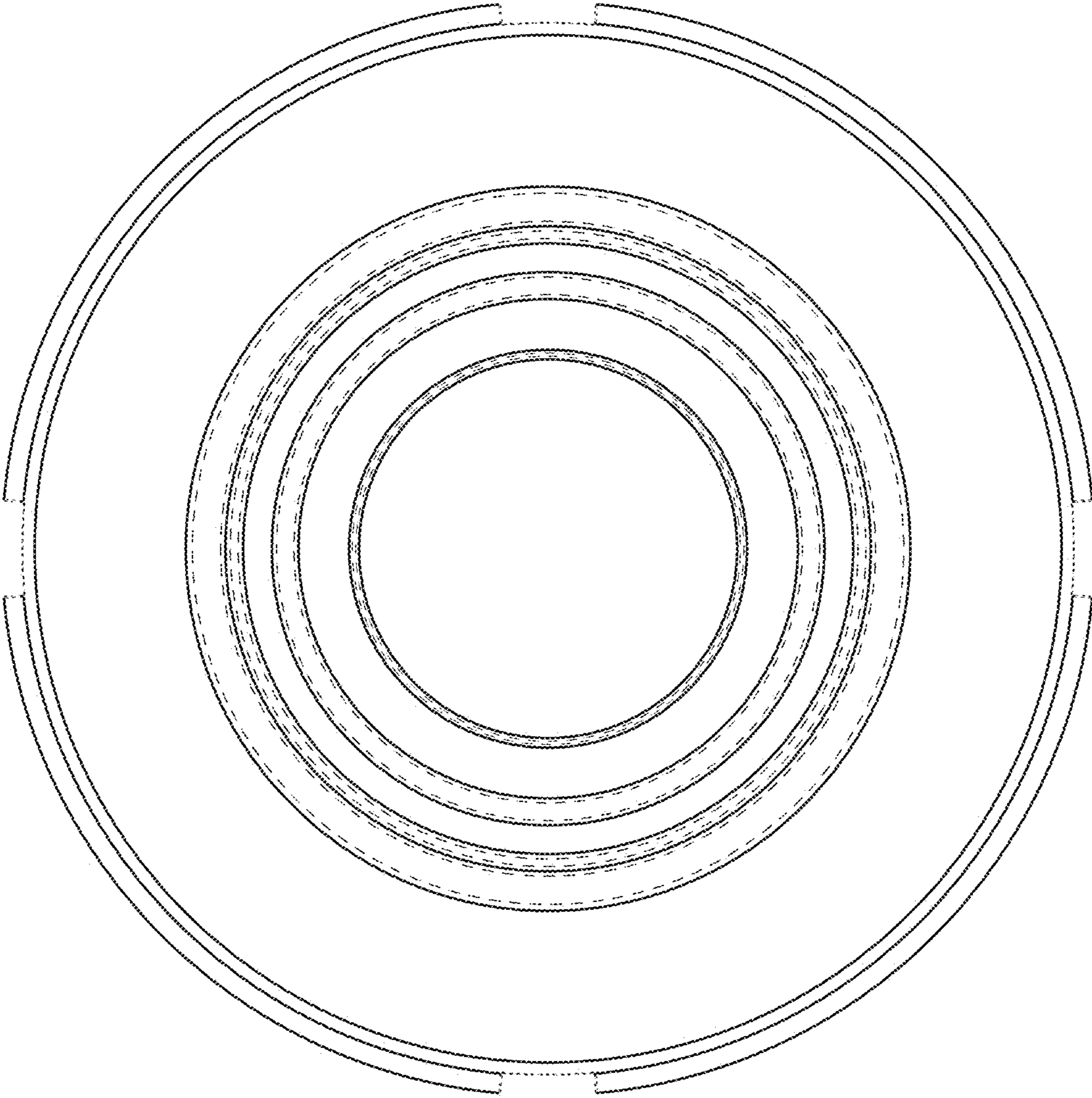


FIG. 4

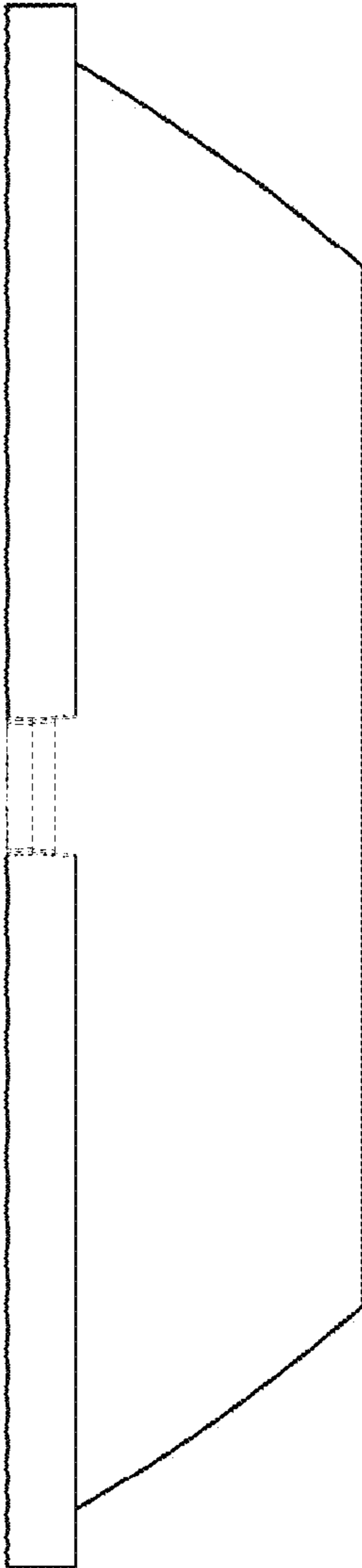


FIG. 5