



US00D977702S

(12) **United States Design Patent** (10) **Patent No.:** **US D977,702 S**
Luo (45) **Date of Patent:** **** Feb. 7, 2023**

(54) **LAMP**

FOREIGN PATENT DOCUMENTS

(71) Applicant: **Xiang Luo**, Xianyang (CN)

CN 303257874 * 6/2015
CN 306945376 * 11/2021

(72) Inventor: **Xiang Luo**, Xianyang (CN)

OTHER PUBLICATIONS

(**) Term: **15 Years**

(21) Appl. No.: **29/854,047**

3D Magnetic Levitating Moon Night Lamp, available in mavigadget.com, customer review oldest date Aug. 28, 2021 [online], [site visited Nov. 21, 2022], Available from the internet URL: <https://mavigadget.com/products/3d-magnetic-levitating-moon-night-lamp/> (Year: 2021).*

(22) Filed: **Sep. 21, 2022**

(Continued)

(30) **Foreign Application Priority Data**

Jun. 24, 2022 (CN) 202230394073.9

Primary Examiner — Jennifer L Rempfer
Assistant Examiner — Jasmine L. Comedy

(51) **LOC (14) Cl.** **26-05**

(57) **CLAIM**

(52) **U.S. Cl.**
USPC **D26/107**

The ornamental design for a lamp, as shown and described.

(58) **Field of Classification Search**

DESCRIPTION

USPC D26/62, 63, 65, 94, 107, 110, 128, 131,
D26/135; D19/61; D99/28
CPC F21S 6/00; F21S 6/002; F21S 6/003; F21L
4/00; G09B 27/08

FIG. 1 is a front and top perspective view of a lamp, showing my new design;

See application file for complete search history.

FIG. 2 is a rear and bottom perspective view thereof;

(56) **References Cited**

U.S. PATENT DOCUMENTS

D94,409 S * 1/1935 Chapman D26/107
D103,363 S * 2/1937 Schwarz D26/107
2,171,509 A * 8/1939 Peterson G09B 27/08
434/145
D315,575 S * 3/1991 Pickup D19/61
D381,109 S * 7/1997 Wang D26/107
D547,376 S * 7/2007 Pachler D19/61
D680,295 S * 4/2013 Pennington D99/28
D835,832 S * 12/2018 Luo D26/107
D862,776 S * 10/2019 Bie D26/110
D893,085 S * 8/2020 Tang
D943,801 S * 2/2022 Bie D26/94

FIG. 3 is a front elevation view thereof;

FIG. 4 is a rear elevation view thereof;

FIG. 5 is a left side elevation view thereof;

FIG. 6 is a right side elevation view thereof;

FIG. 7 is a top plan view thereof;

FIG. 8 is a bottom plan view thereof;

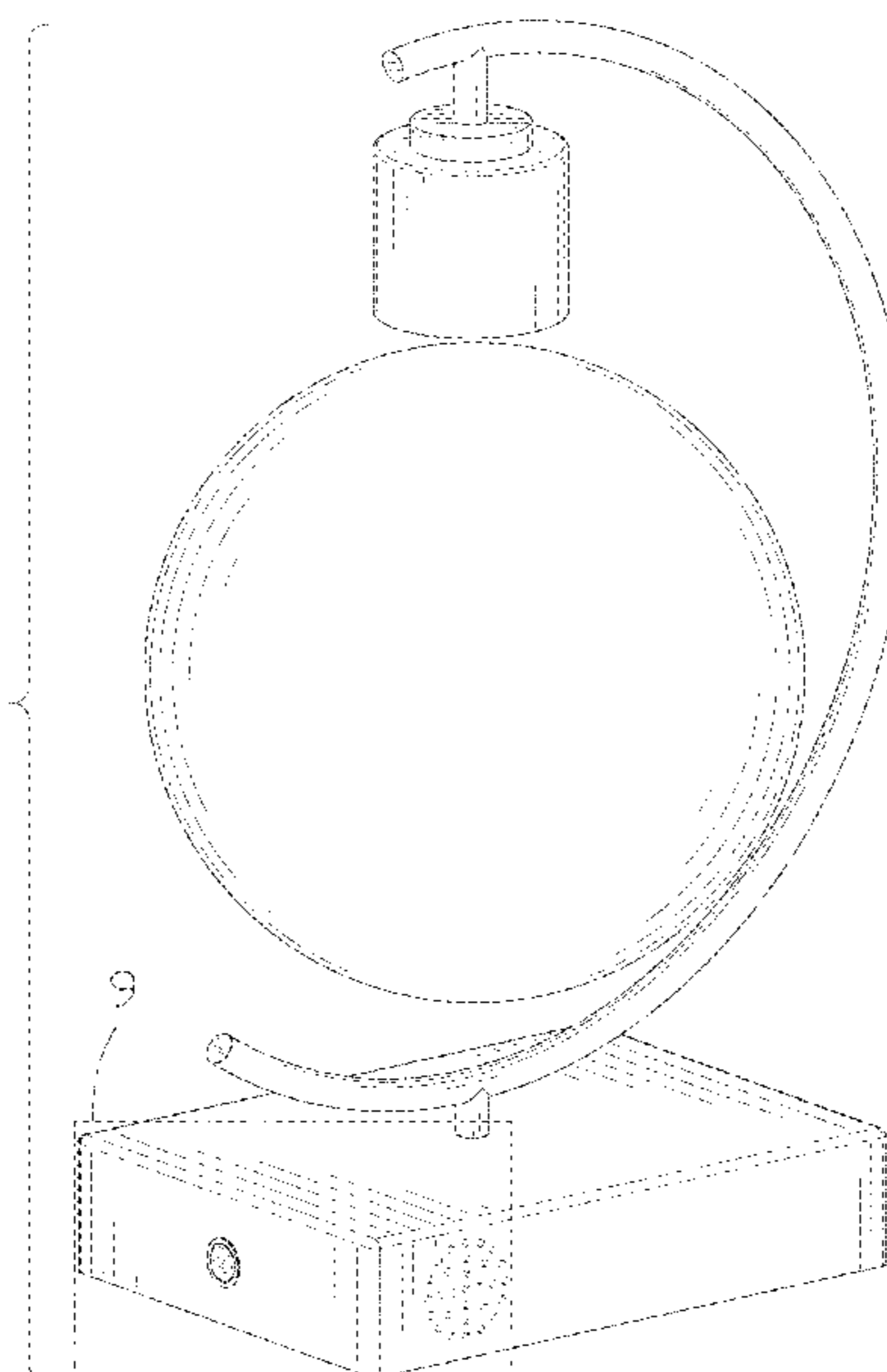
FIG. 9 is an enlarged perspective view of detail “9” identified in FIG. 1; and,

FIG. 10 is an enlarged perspective view of detail “10” identified in FIG. 2.

The dashed lines in the figures illustrate portions of the lamp that form no part of the claimed design. The dash dot dash lines in FIGS. 1, 2, 9 and 10 are for the purpose of illustrating the enlarged views indicators and form no part of the claimed design.

(Continued)

1 Claim, 10 Drawing Sheets



(56)

References Cited

U.S. PATENT DOCUMENTS

D963,231 S * 9/2022 Li D26/107
D963,232 S * 9/2022 Qin D26/107

OTHER PUBLICATIONS

Floating Globe, available in ubuy.co.id, customer review oldest date Feb. 21, 2018 [online], [site visited Nov. 21, 2022], Available from the internet URL: <https://www.ubuy.co.id/en/product/R9M30J6-floating-globe-office-desk-display-magnetic-levitating-and-rotating-planet-earth-globe-ball-with-wor> (Year: 2018).*

Spolehli Magnetic Levitation Globe, available in Amazon.com, date first available Aug. 6, 2021 [online], [site visited Nov. 21, 2022], Available from the internet URL: <https://a.co/d/hyAa1bj> (Year: 2021).*

Levitating Moon Lamp Floating LED Night Lights, available in Amazon.com, date first available Mar. 30, 2021 [online], [site visited Nov. 21, 2022], Available from the internet URL: <https://a.co/d/8e4VsYa> (Year: 2021).*

* cited by examiner

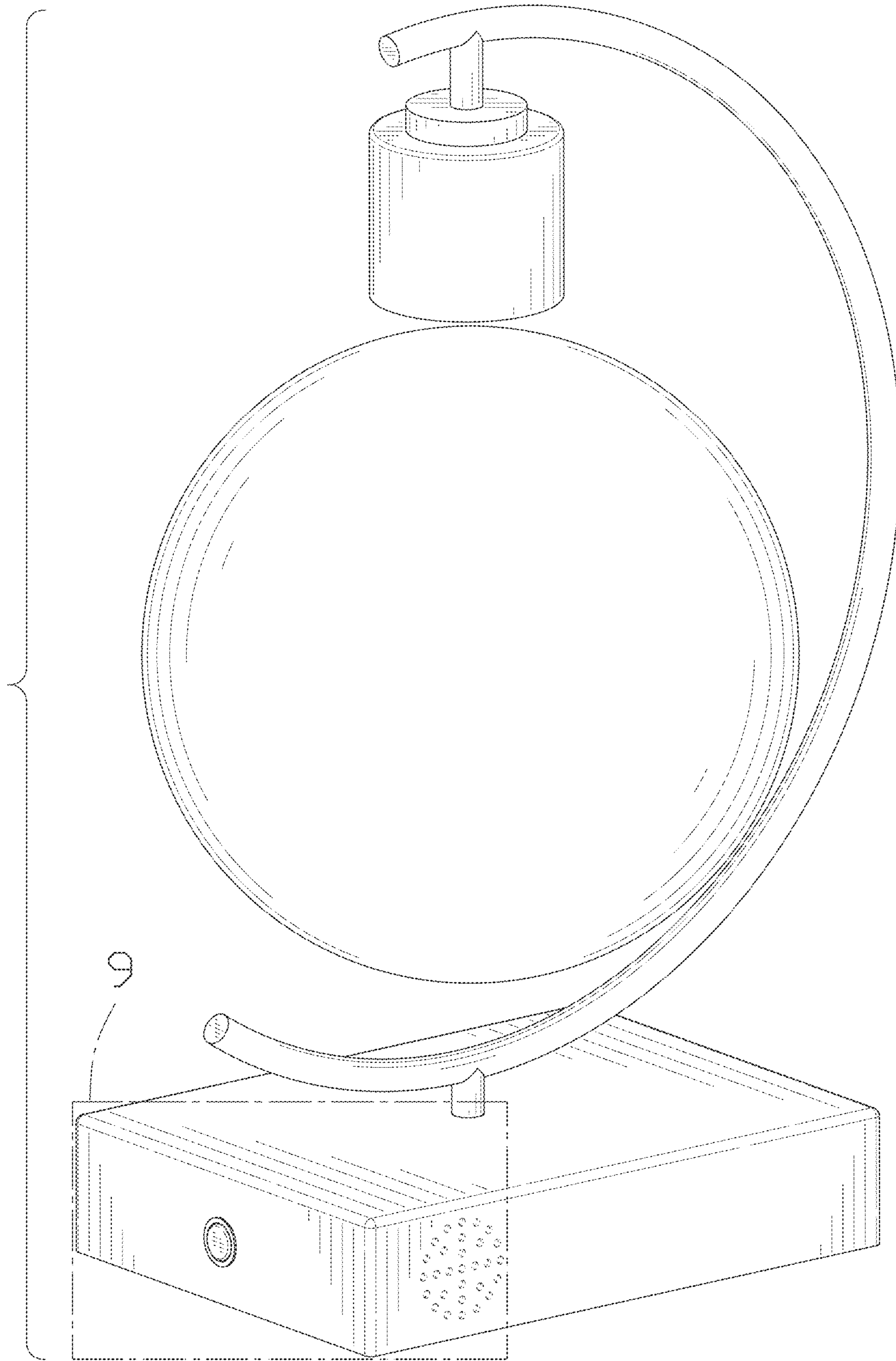


FIG. 1

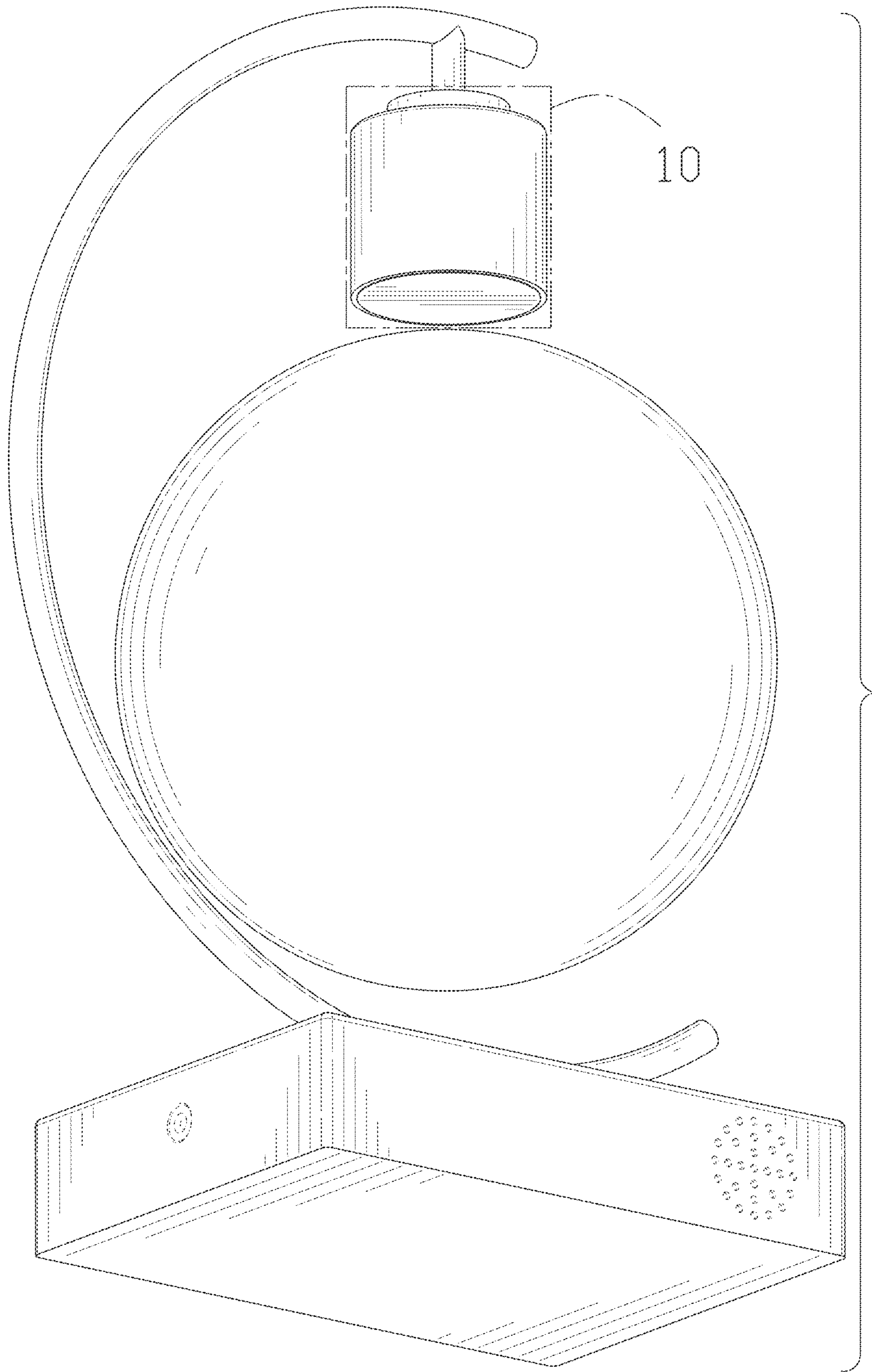


FIG. 2

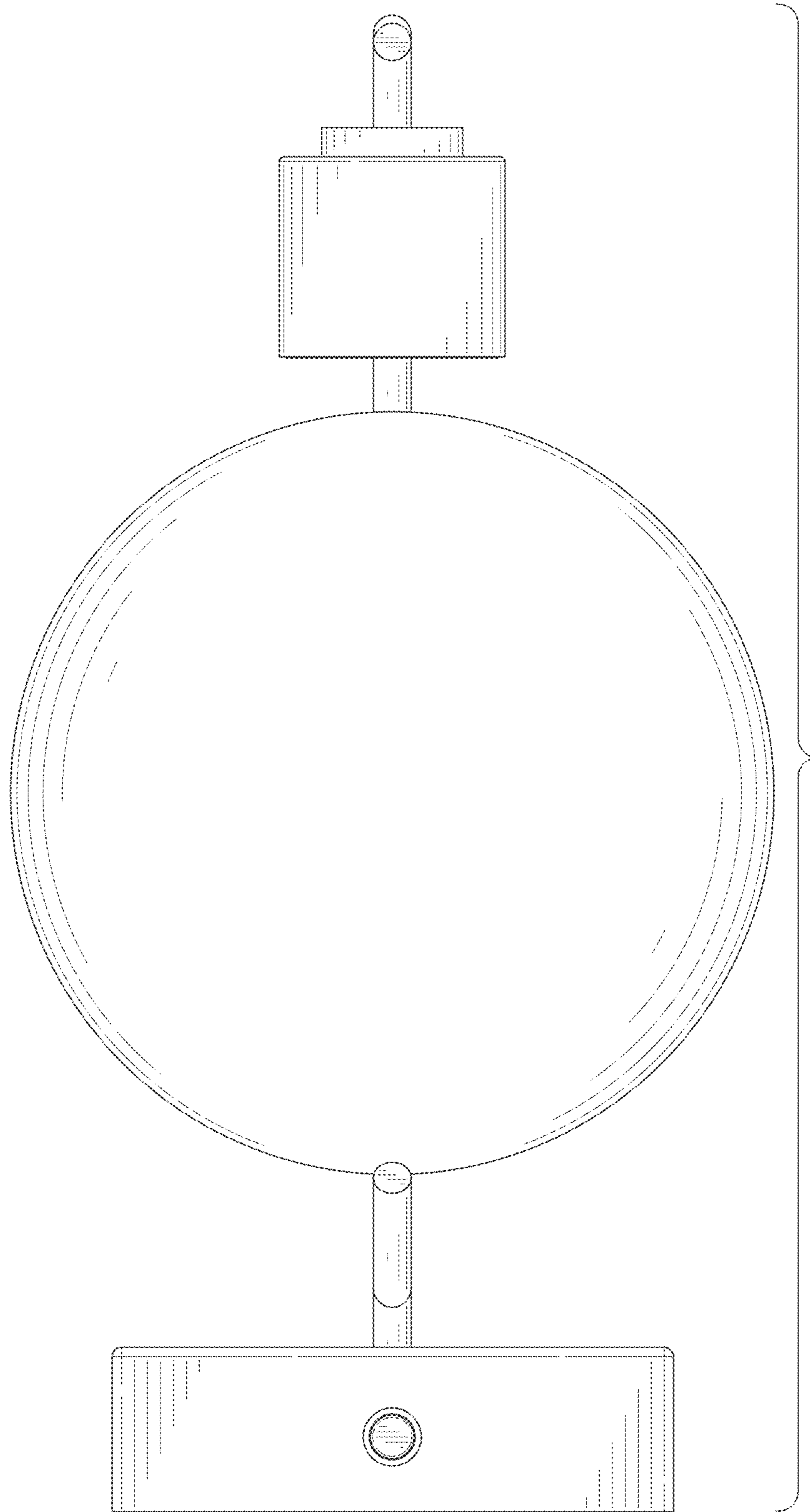


FIG. 3

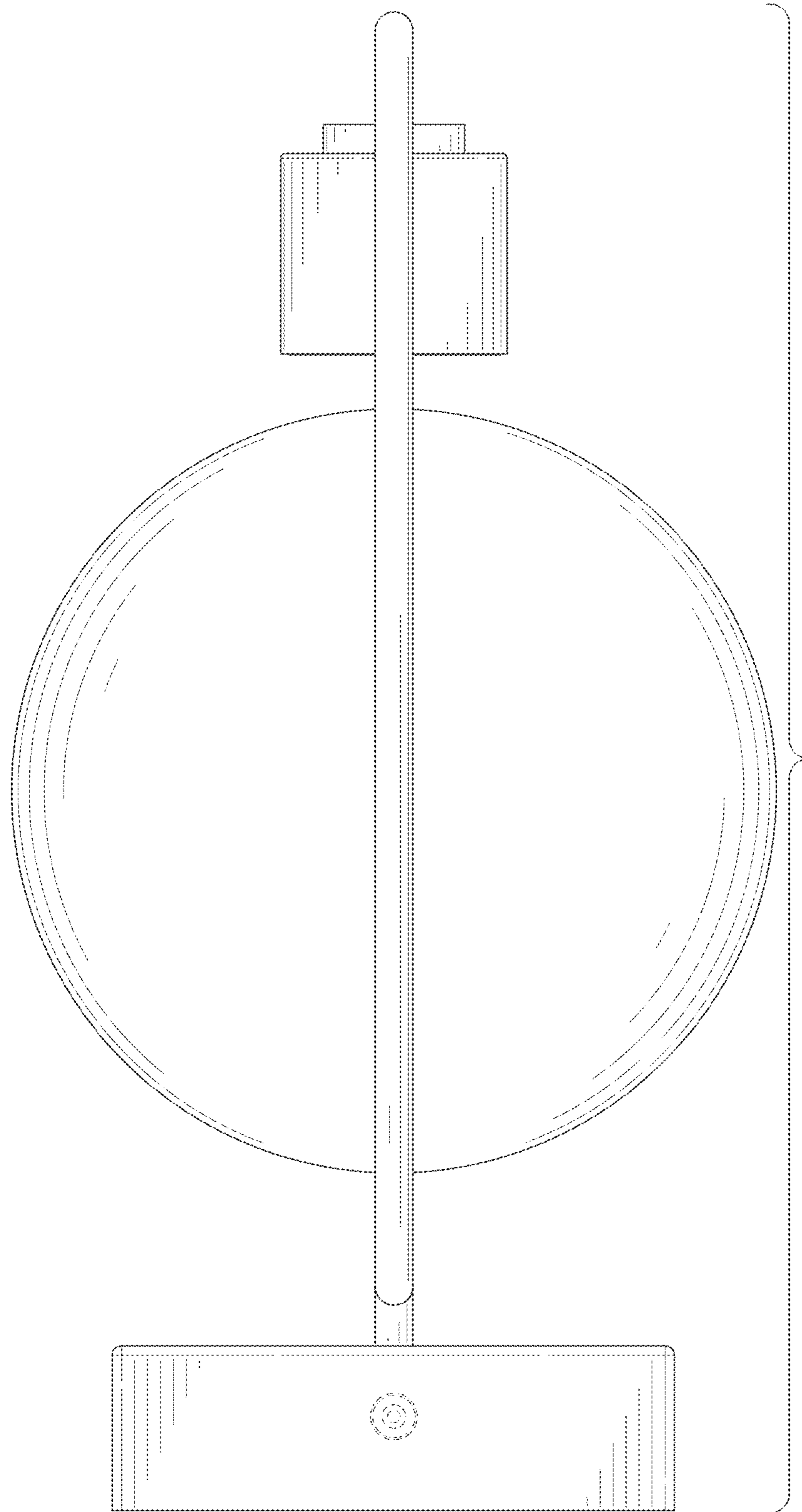


FIG. 4

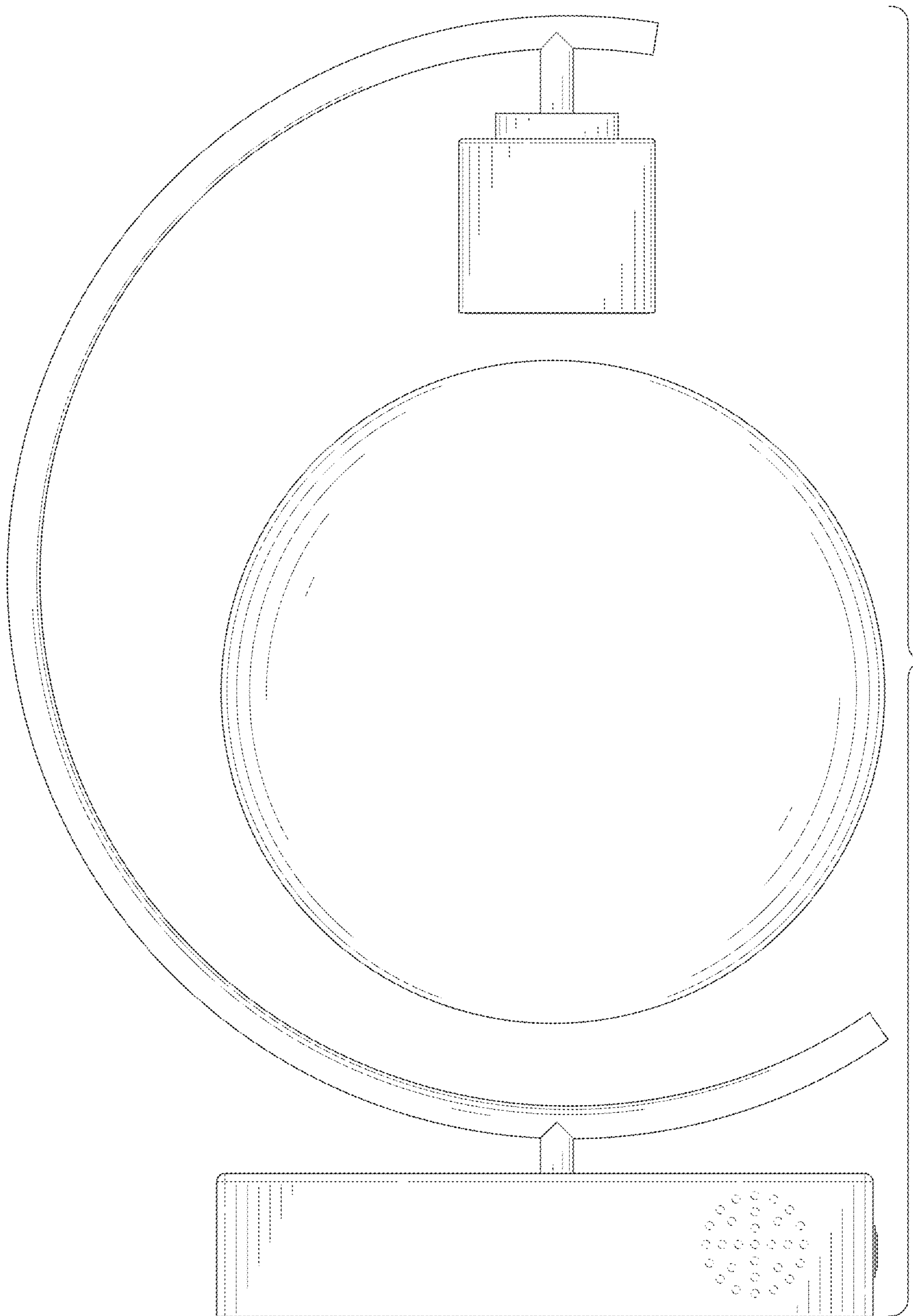


FIG. 5

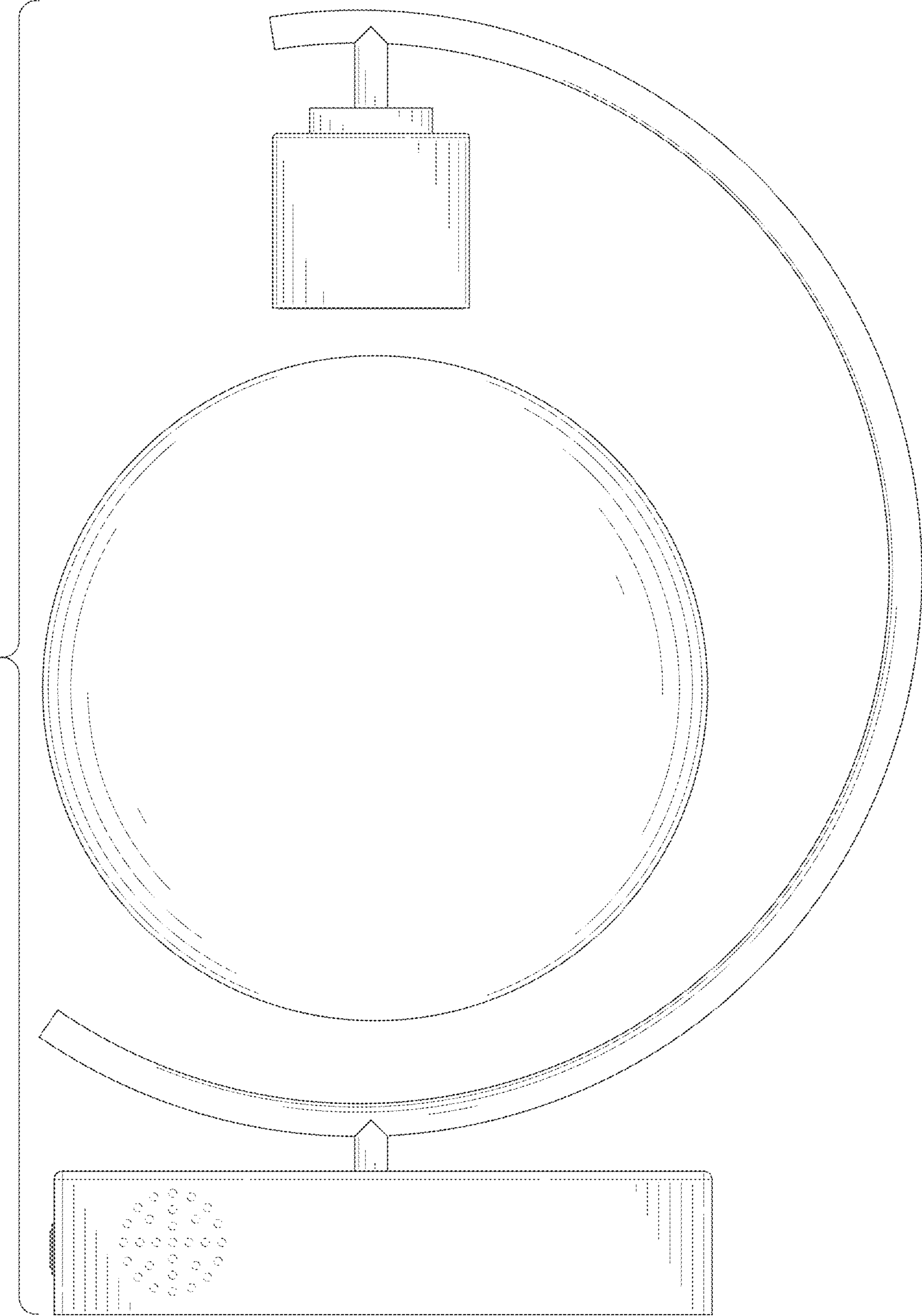


FIG. 6

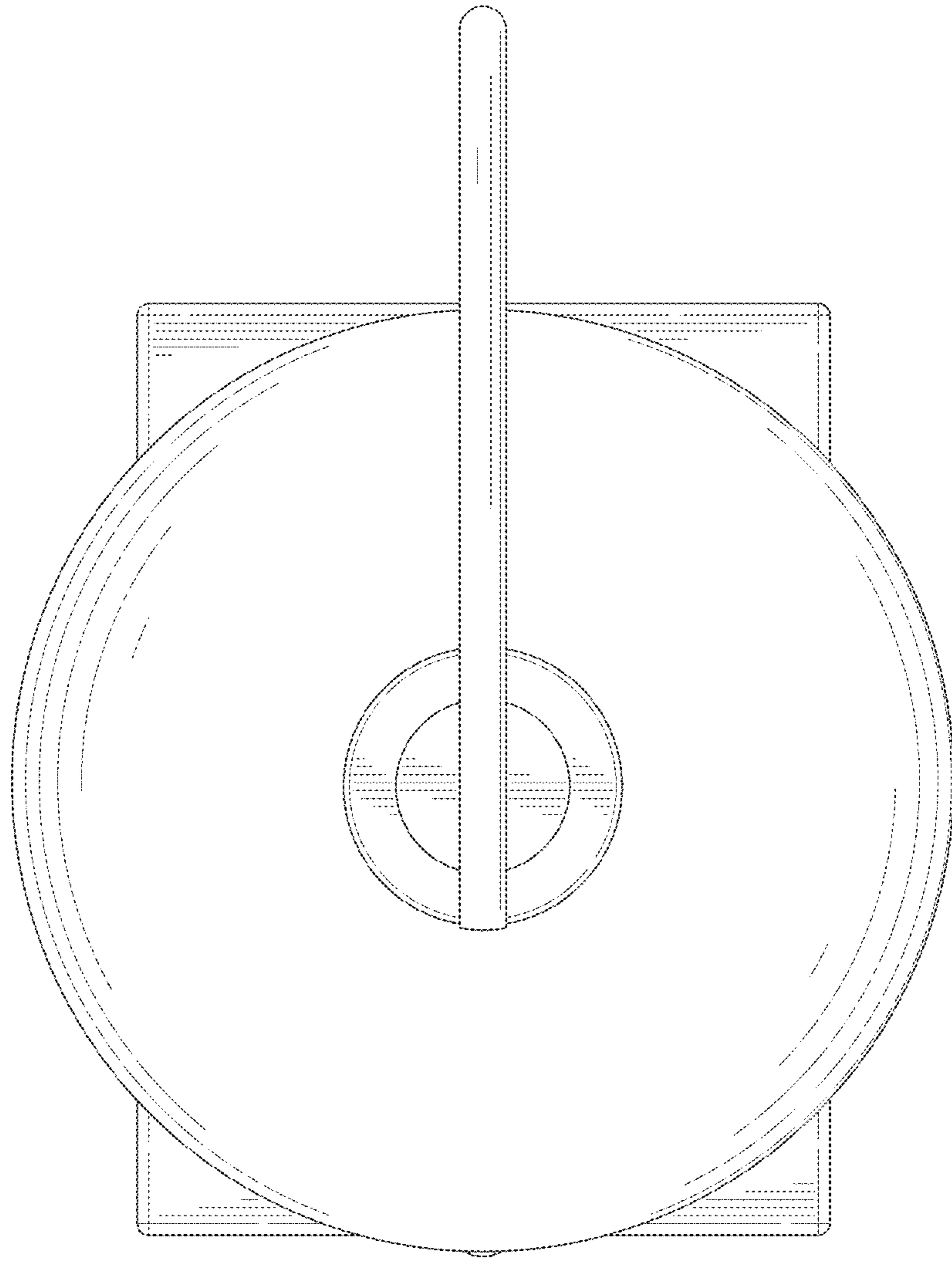


FIG. 7

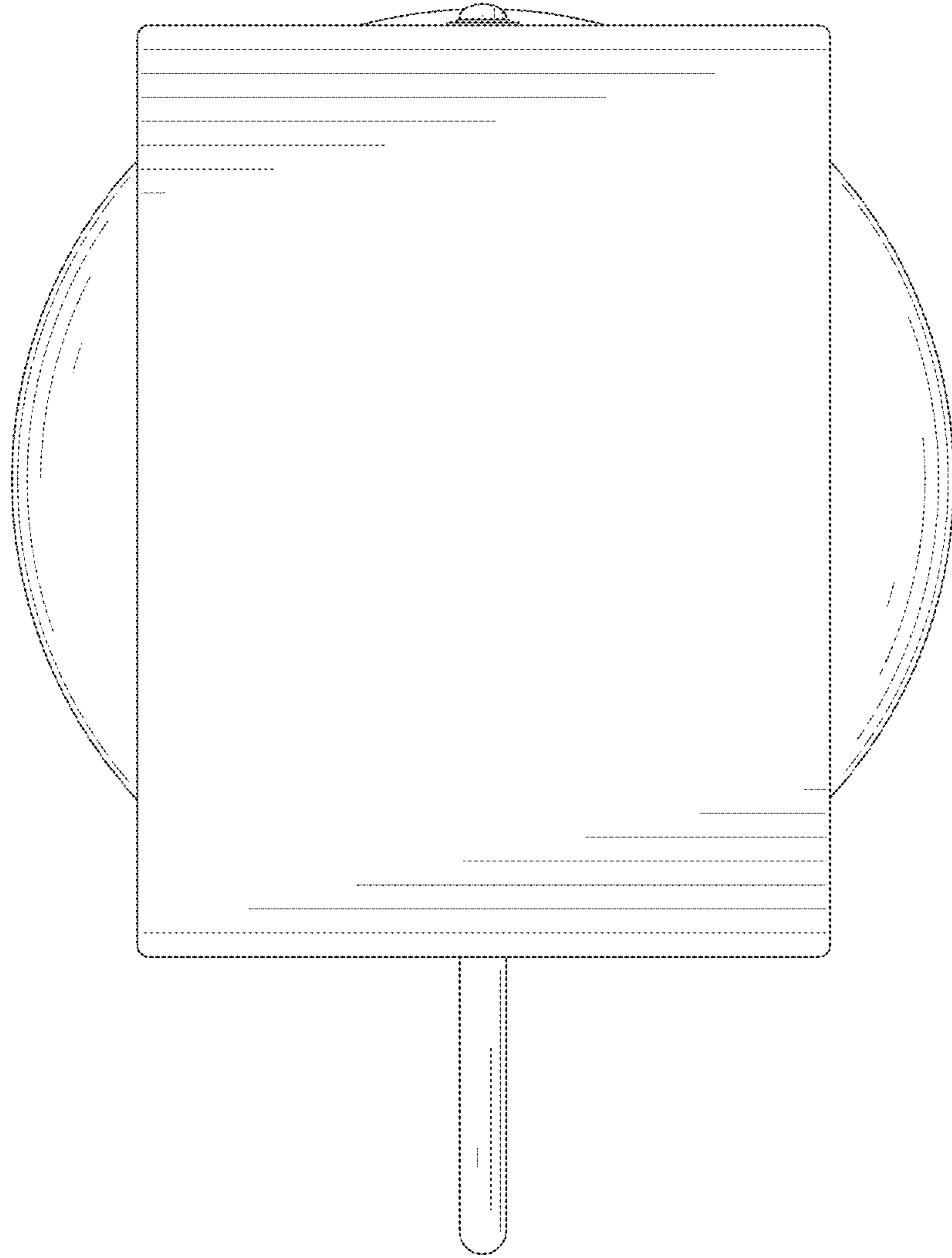


FIG. 8

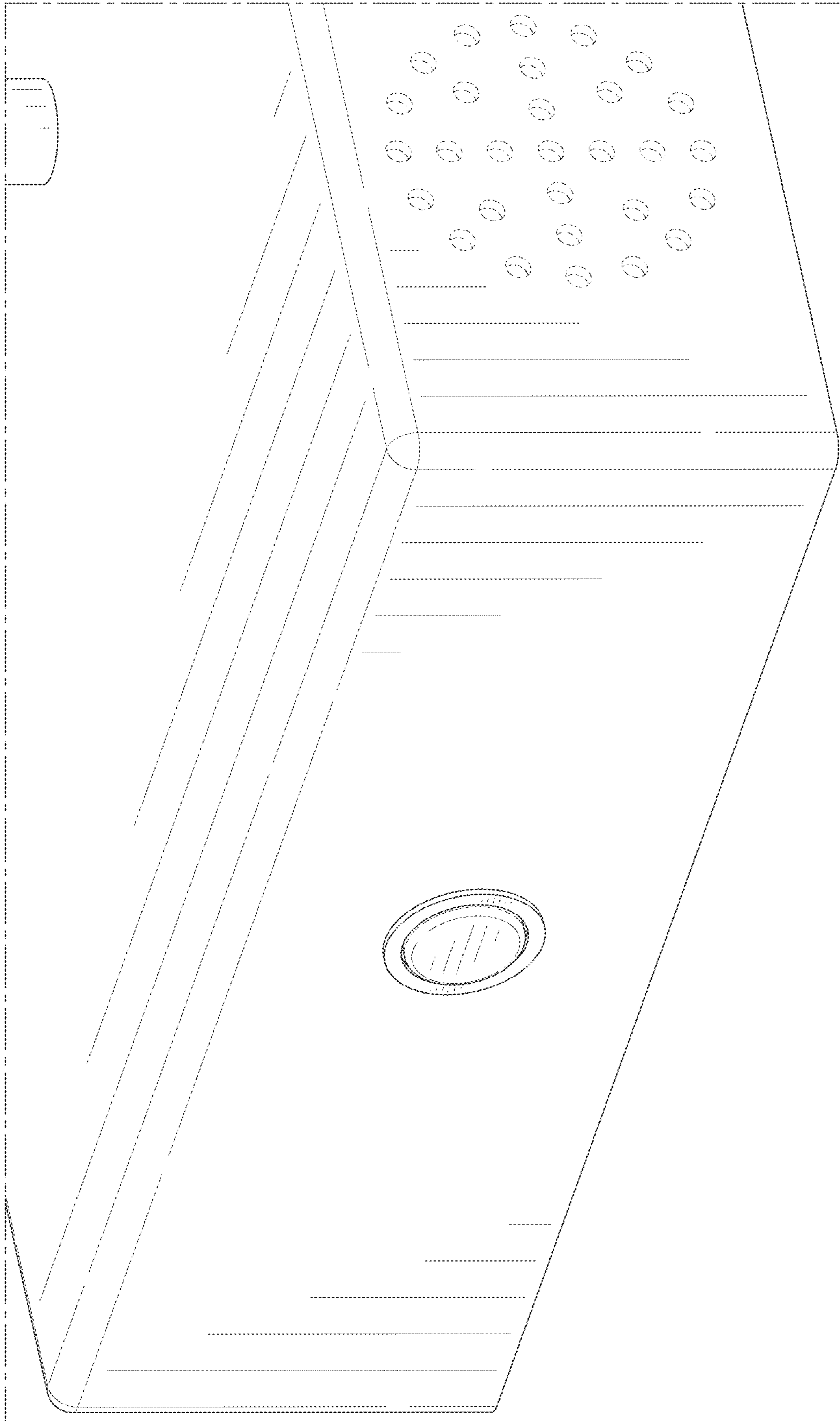


FIG. 9

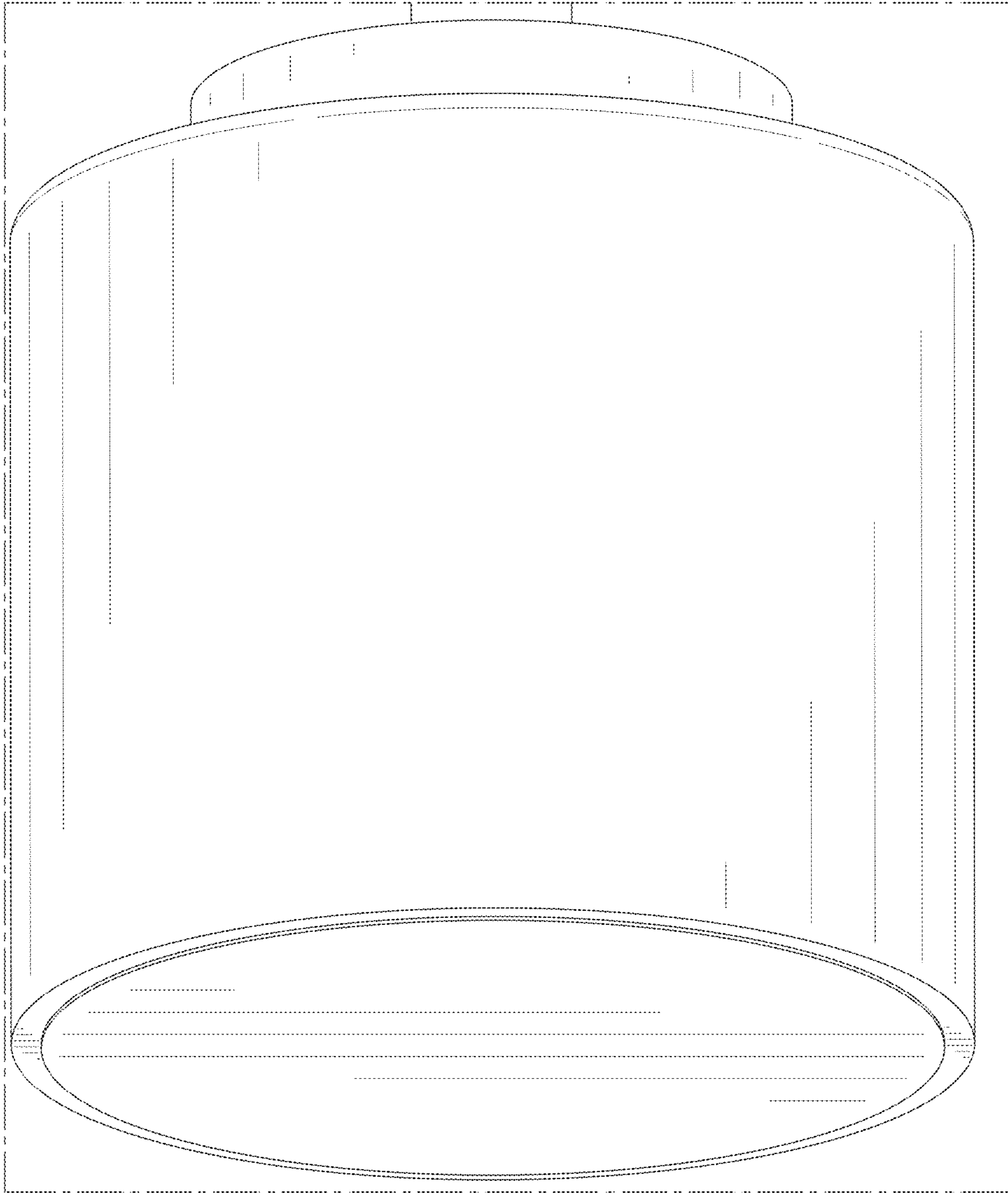


FIG. 10