



US00D977697S

(12) **United States Design Patent** (10) **Patent No.:** **US D977,697 S**
Lu et al. (45) **Date of Patent:** **** Feb. 7, 2023**

(54) **SHOP LIGHT**

FOREIGN PATENT DOCUMENTS

(71) Applicant: **Xiamen PVTECH Co., Ltd.**, Fujian (CN)
(72) Inventors: **Fuxing Lu**, Fujian (CN); **Sishan Liao**, Fujian (CN)

CN 302799401 * 4/2014
GB 5004546 * 8/2016
GB 6019052 * 9/2017

(73) Assignee: **Xiamen PVTECH Co., Ltd.**, Fujian (CN)

(**) Term: **15 Years**

(21) Appl. No.: **29/786,850**

(22) Filed: **Jun. 3, 2021**

(51) **LOC (14) Cl.** **26-04**

(52) **U.S. Cl.**
USPC **D26/76**

(58) **Field of Classification Search**
USPC D26/24, 72, 51, 76, 78, 89, 118, 120;
362/223, 217.01
CPC F21Y 2103/00; F21S 8/04; F21S 8/033;
F21S 8/03; H05B 47/165; F21V 15/01
See application file for complete search history.

OTHER PUBLICATIONS

4FT Linkable LED Shop Light, available in Amazon.com, date first available Oct. 1, 2019 [online], [site visited Aug. 5, 2022], Available from the internet URL: <https://a.co/d/2povEBI> (Year: 2019).*
Sunco Lighting LED Shop Light, available in Amazon.com, date first available Jan. 24, 2017 [online], [site visited Aug. 3, 2022], Available from the internet URL: <https://a.co/d/62XHOAu> (Year: 2017).*
Sunlite 85408 LED Linear Dual Strip Light Fixture, available in Amazon.com, date first available Sep. 7, 2018 [online], [site visited Aug. 3, 2022], Available from the internet URL: <https://a.co/d/13sheqF> (Year: 2018).*

(Continued)

Primary Examiner — Brett Miller
Assistant Examiner — Jasmine L. Comedy
(74) *Attorney, Agent, or Firm* — Winston Hsu

(56) **References Cited**

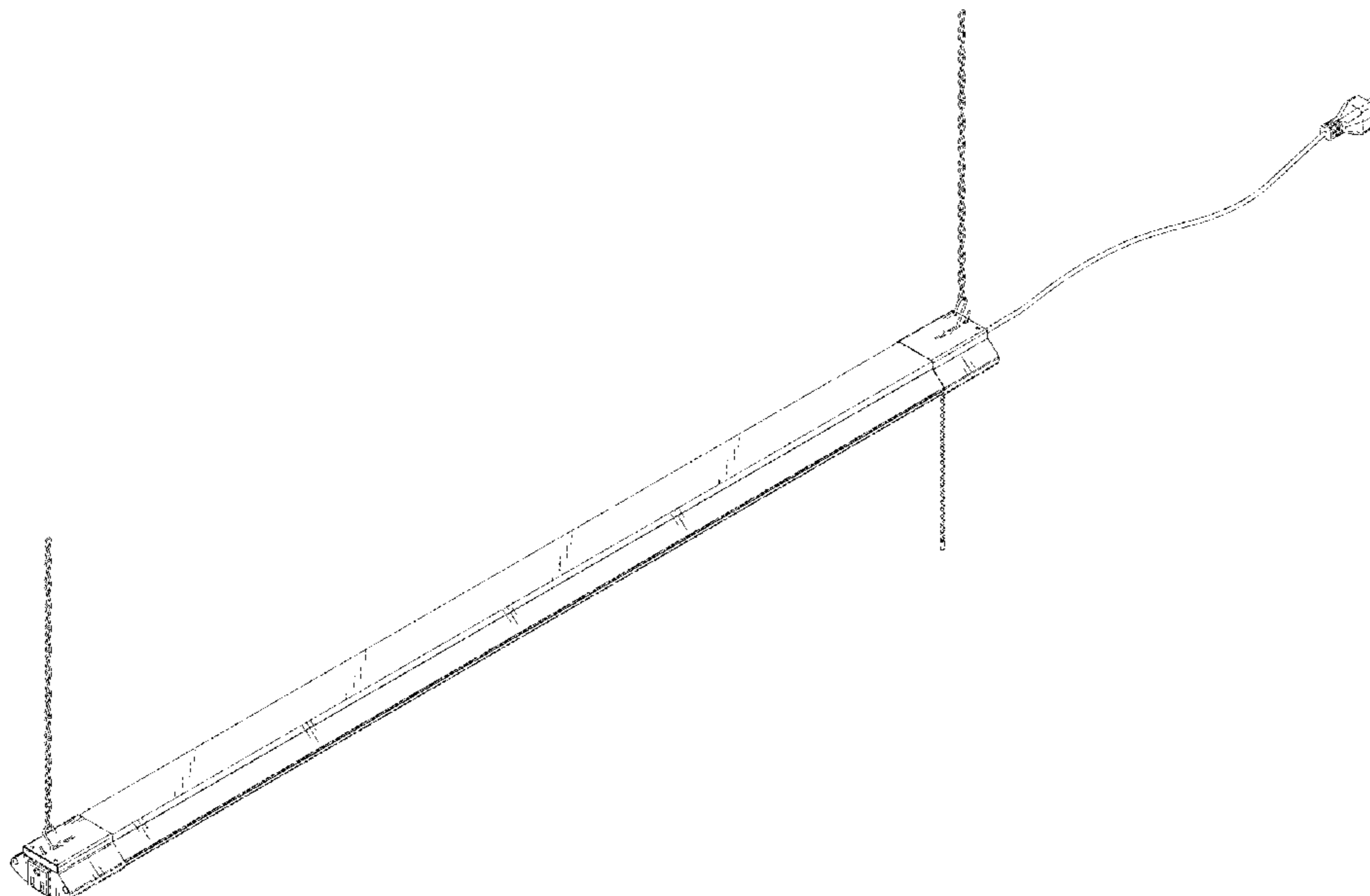
U.S. PATENT DOCUMENTS

D476,753 S * 7/2003 Chelf D26/3
D521,173 S * 5/2006 Noh D26/78
D526,737 S * 8/2006 Noh D26/78
D604,447 S * 11/2009 Klaus D26/78
D663,065 S * 7/2012 Beghelli D26/76
D701,343 S * 3/2014 Ng D26/76
D756,553 S * 5/2016 Kim D26/76
D760,417 S * 6/2016 Benensohn D26/76
D794,241 S * 8/2017 Huyghe D26/80
D862,777 S * 10/2019 Antony D26/118
D877,391 S * 3/2020 Lin D26/76
D885,634 S * 5/2020 Bhavanbhai Patel D26/76
D898,976 S * 10/2020 Xu D26/76

DESCRIPTION

FIG. 1 is a top, front, left side perspective view for a shop light showing our new design;
FIG. 2 is a front elevation view thereof;
FIG. 3 is a rear elevation view thereof;
FIG. 4 is a left side elevation view thereof;
FIG. 5 is a right side elevation view thereof;
FIG. 6 is a top plan view thereof; and,
FIG. 7 is a bottom plan view thereof.

1 Claim, 6 Drawing Sheets



(56)

References Cited

OTHER PUBLICATIONS

LED Shop Light 4FT-7000Lm 5000K Daylight, available in Amazon.com, date first available May 29, 2019 [online], [site visited Aug. 5, 2022], Available from the internet URL: <https://a.co/d/4ghu0Ac> (Year: 2019).*

* cited by examiner

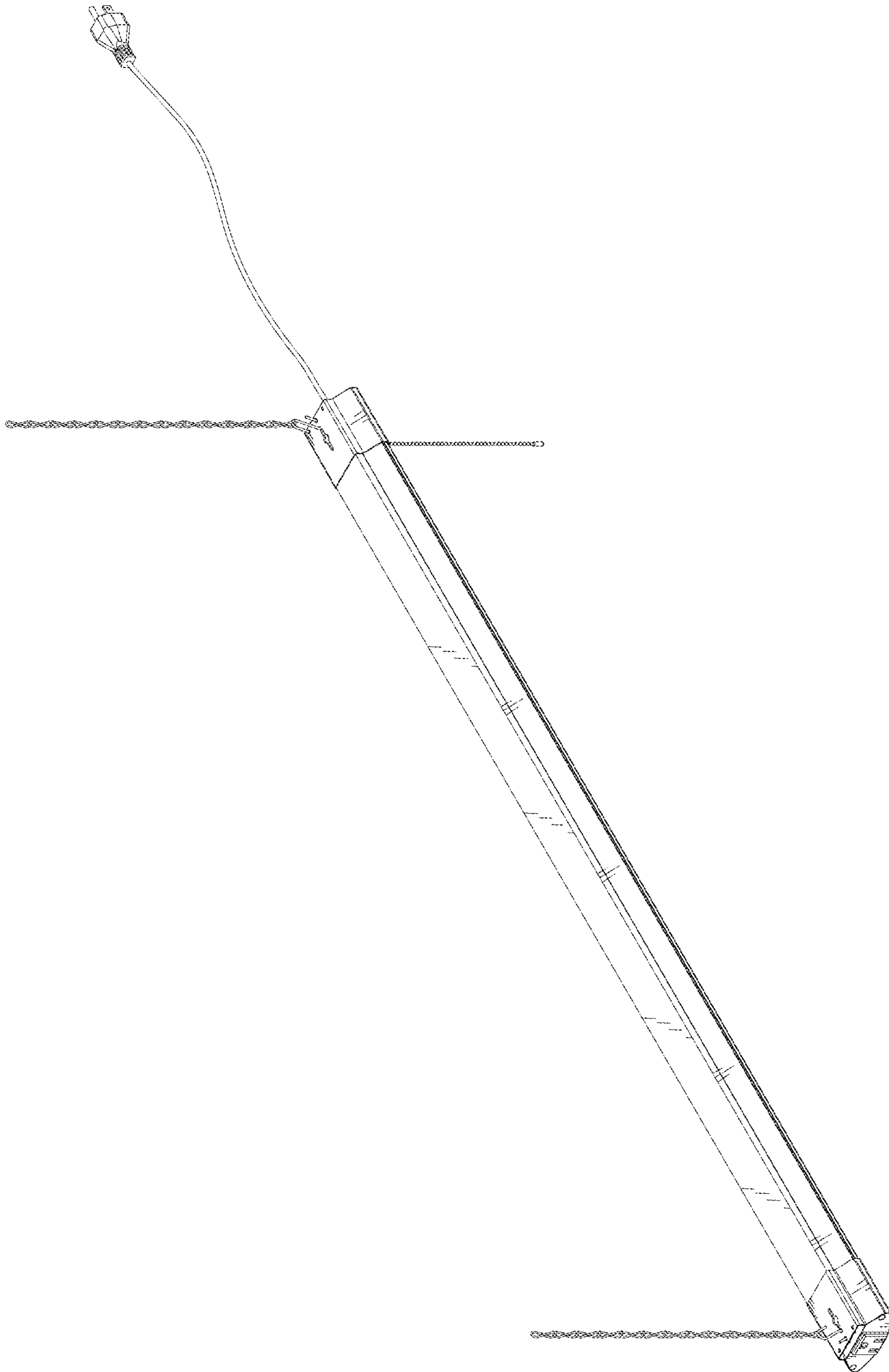


FIG.1

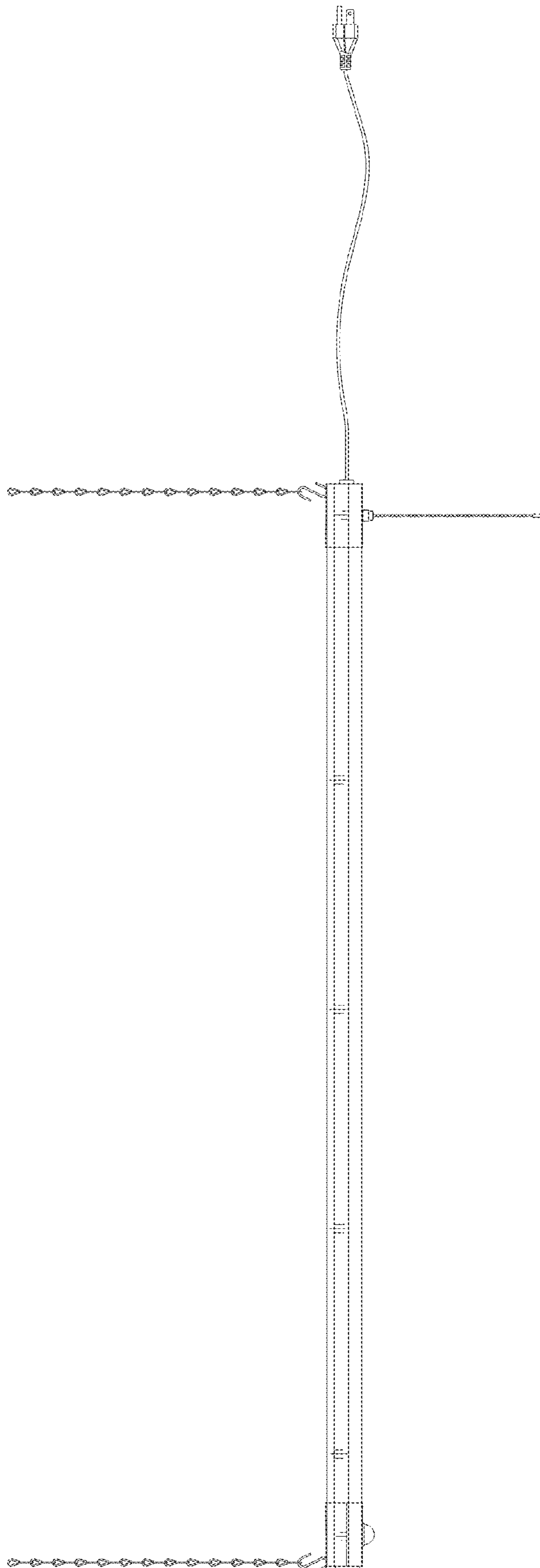


FIG.2

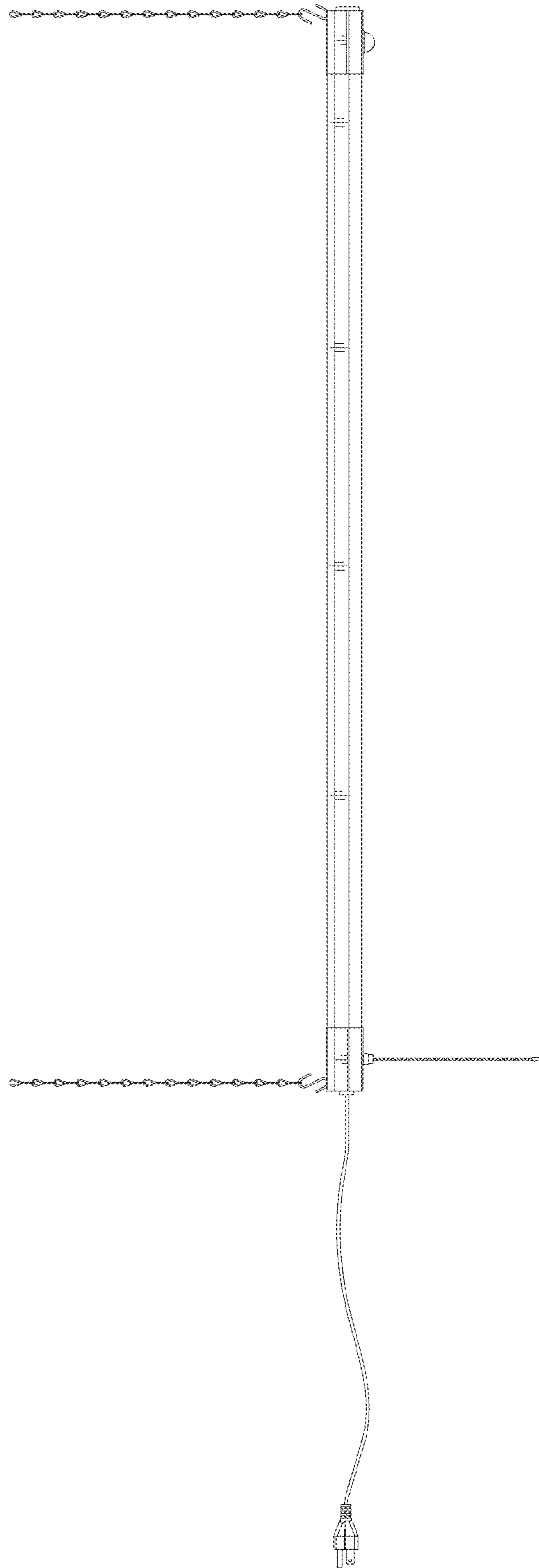


FIG.3

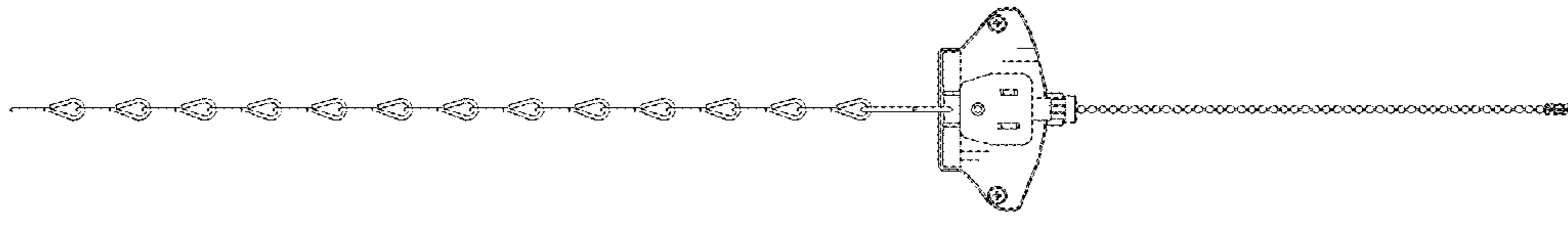


FIG. 5

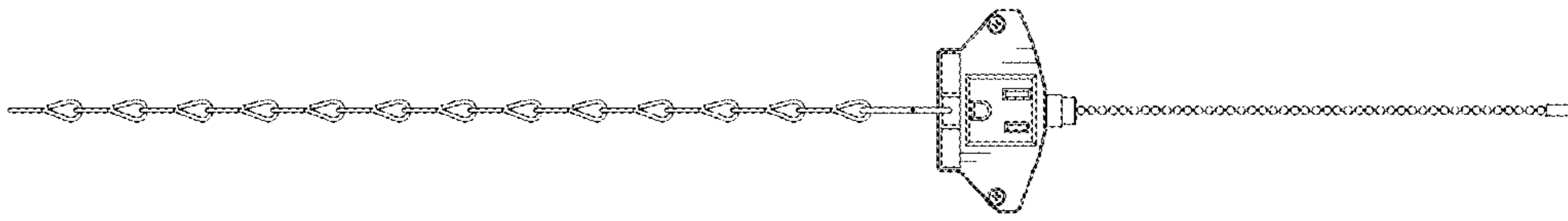


FIG. 4

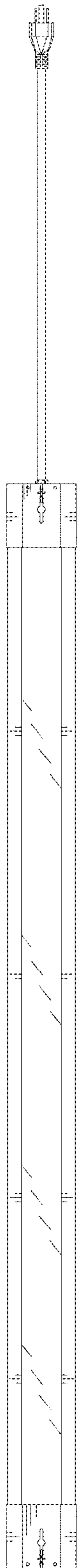


FIG.6

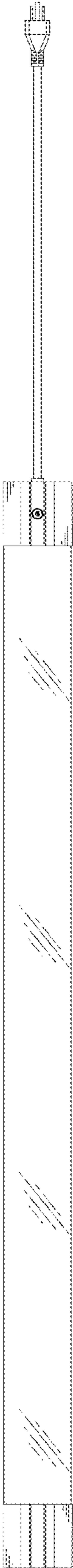


FIG.7