



US00D977696S

(12) **United States Design Patent** (10) **Patent No.:** **US D977,696 S**
Feng (45) **Date of Patent:** **** Feb. 7, 2023**

(54) **LAMP**

(71) Applicant: **Zhanbi Feng**, Zhongshan (CN)

(72) Inventor: **Zhanbi Feng**, Zhongshan (CN)

(**) Term: **15 Years**

(21) Appl. No.: **29/843,356**

(22) Filed: **Jun. 21, 2022**

(51) **LOC (14) Cl.** **26-05**

(52) **U.S. Cl.**
USPC **D26/72**

(58) **Field of Classification Search**
USPC D26/1, 2, 28, 61–66, 69, 71, 72, 73, 74,
D26/76, 78–83, 85, 86, 88, 90, 92, 93,
D26/107, 111, 113, 118, 119, 120–124,
D26/128–130, 138–142, 145, 152, 153,
D26/155
CPC F21S 2/00; F21S 4/00; F21S 4/003; F21S
4/005; F21S 4/006; F21S 4/007; F21S
4/008; F21S 6/00; F21S 8/00; F21S
8/024; F21S 8/026; F21S 8/031; F21S
8/033; F21S 8/035; F21S 8/036; F21S
8/037; F21S 8/04; F21S 8/043; F21S
8/063

See application file for complete search history.

(56) **References Cited**

U.S. PATENT DOCUMENTS

5,913,635	A	*	6/1999	Graham	A01G 25/06 405/51
D446,877	S	*	8/2001	Lester	D26/72
D556,355	S	*	11/2007	Foster	D26/63
D603,993	S	*	11/2009	Sabernig	D26/65
D622,885	S	*	8/2010	Ng	D26/65
D626,264	S	*	10/2010	Liu	D26/61
D669,630	S	*	10/2012	Yu	D26/155
D804,704	S	*	12/2017	Xia	D26/107
D851,805	S	*	6/2019	Chen	D26/76
D864,456	S	*	10/2019	Lin	D26/76
D886,356	S	*	6/2020	Cornelissen	D26/85

(Continued)

FOREIGN PATENT DOCUMENTS

EM 008707400-0001 * 9/2021
EM 009066962-0001 * 6/2022

OTHER PUBLICATIONS

George Kovacs P5042-248, Saber, 2 Light Bath Fixture. May 7, 2012. Site visited Sep. 28, 2022. [https://www.amazon.com/George-Kovacs-P5042-248-Saber-Fixture/dp/B00819GCDG/ref=sr_1_39?crd=3A25TUZK00OG7&keywords=cylindrical%2Brod%2Bwall%2Brod%2Bceiling%2Blamp&qid=1664321666&sprefix=cylindrical%2Brod%2Bwall%2Brod%2Bceiling%2Blamp%2Caps%2C73&sr=8-39&th=1](Year: 2012).*

(Continued)

Primary Examiner — Wendy L Arminio
Assistant Examiner — Maheen Khurshid
(74) *Attorney, Agent, or Firm* — Rumit Ranjit Kanakia

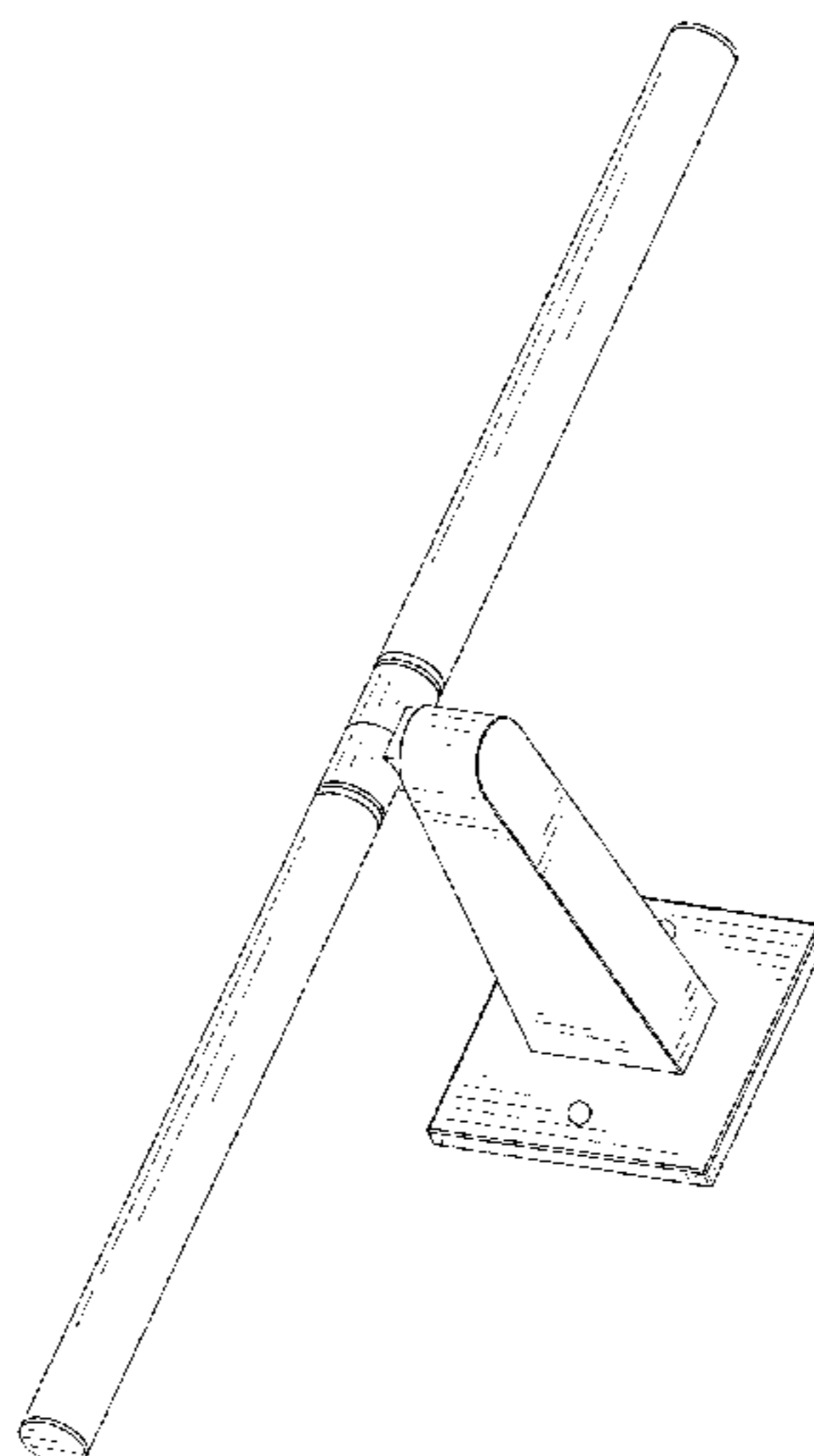
(57) **CLAIM**

The ornamental design for a lamp, as shown and described.

DESCRIPTION

FIG. 1 is a first perspective view of a lamp showing my new design;
FIG. 2 is a second perspective view thereof;
FIG. 3 is a front view thereof;
FIG. 4 is a back view thereof;
FIG. 5 is a left side view thereof;
FIG. 6 is a right side view thereof;
FIG. 7 is a top view thereof;
FIG. 8 is a bottom view thereof; and,
FIG. 9 is an enlarged view of the selected portion 9 in FIG. 2.
The dash-dash broken lines shown in the drawings depict portions of the lamp that form no part of the claimed design. The dot-dash broken lines enclosing the area of the enlarged portion in FIG. 2 and surrounding FIG. 9 denote the boundary of the enlarged portion and form no part of the claimed design.

1 Claim, 9 Drawing Sheets



(56)

References Cited

U.S. PATENT DOCUMENTS

D893,085 S	8/2020	Tang	
D897,025 S	9/2020	Gong	
D903,934 S *	12/2020	Moses D26/88
D906,584 S *	12/2020	Moses D26/88
D907,276 S *	1/2021	Jiang D26/87
D908,945 S	1/2021	Zheng	
D912,879 S *	3/2021	Hu D26/85
D940,942 S *	1/2022	Zou D26/85
D946,803 S *	3/2022	Pang D26/60
D949,453 S *	4/2022	Zhang D26/72
D957,019 S *	7/2022	Yang D26/60

OTHER PUBLICATIONS

ET2 E41430-75GM Light Saber. Jul. 14, 2016. Site visited Sep. 28, 2022. [https://www.amazon.com/ET2-E41430-75GM-Gunmetal-Low-Voltage-Electronic/dp/B011FYD32E/ref=sr_1_232?crd=3PU9B05VA665R&keywords=rod+lamp+wall&qid=1664321573&sprefix=rod+lamp+wall%2Caps%2C85&sr=8-232] (Year: 2016).*

Modern Bathroom Vanity Light. Jul. 30, 2021. Site visited Sep. 28,

2022. [https://www.amazon.com/Bathroom-Fixtures-Picture-Paintings-Brushed/dp/B092S6TC89/ref=sr_1_200_sspa?crd=3PU9B05VA665R&keywords=rod%2Blamp%2Bwall&qid=1664321573&sprefix=rod%2Blamp%2Bwall%2Caps%2C85&sr=8-200-spons&spLa=ZW5jcnlwdGVkUXVhbGlmaWVyPUEyM0pWN0dUWTBPNTBTJmVuY3J5cHRIZEIkPUEwNjc2MTMxMzFBQU1RQ1NaRUdSUiZlbnNyeXB0ZWRBZEIkPUEwMTYwNjEyMVpMSIRJTkxYUDk3RyZ3aWRnZXROYW1IPXNwX210ZiZhY3Rpb249Y2xpY2tSZWRpcmVjdCZkb05vdExvZ0NsaWNrPXRydWU&th=1] (Year: 2021).*

LED Metal Wall Sconce. May 6, 2019. Site visited Sep. 28, 2022. [https://www.amazon.com/JONATHAN-Y-JYL7022B-Sconce-Gold/dp/B07RF99QXK/ref=sr_1_13?crd=2YG9HSFAYKHFE&keywords=cylindrical%2Brod%2Bwall%2Bsconce&qid=1664321775&sprefix=cylindrical%2Brod%2Bwall%2Bsconce%2Caps%2C68&sr=8-13&th=1] (Year: 2019).*

Kuzco Lighting. Nov. 16, 2018. Site visited Sep. 28, 2022. [https://www.amazon.com/Kuzco-Lighting-VL17024-BN-Rona-Brushed/dp/B07KMB1ZVR/ref=sr_1_96?crd=2YG9HSFAYKHFE&keywords=cylindrical+rod+wall+sconce&qid=1664321896&sprefix=cylindrical+rod+wall+sconce%2Caps%2C68&sr=8-96] (Year: 2018).*

* cited by examiner

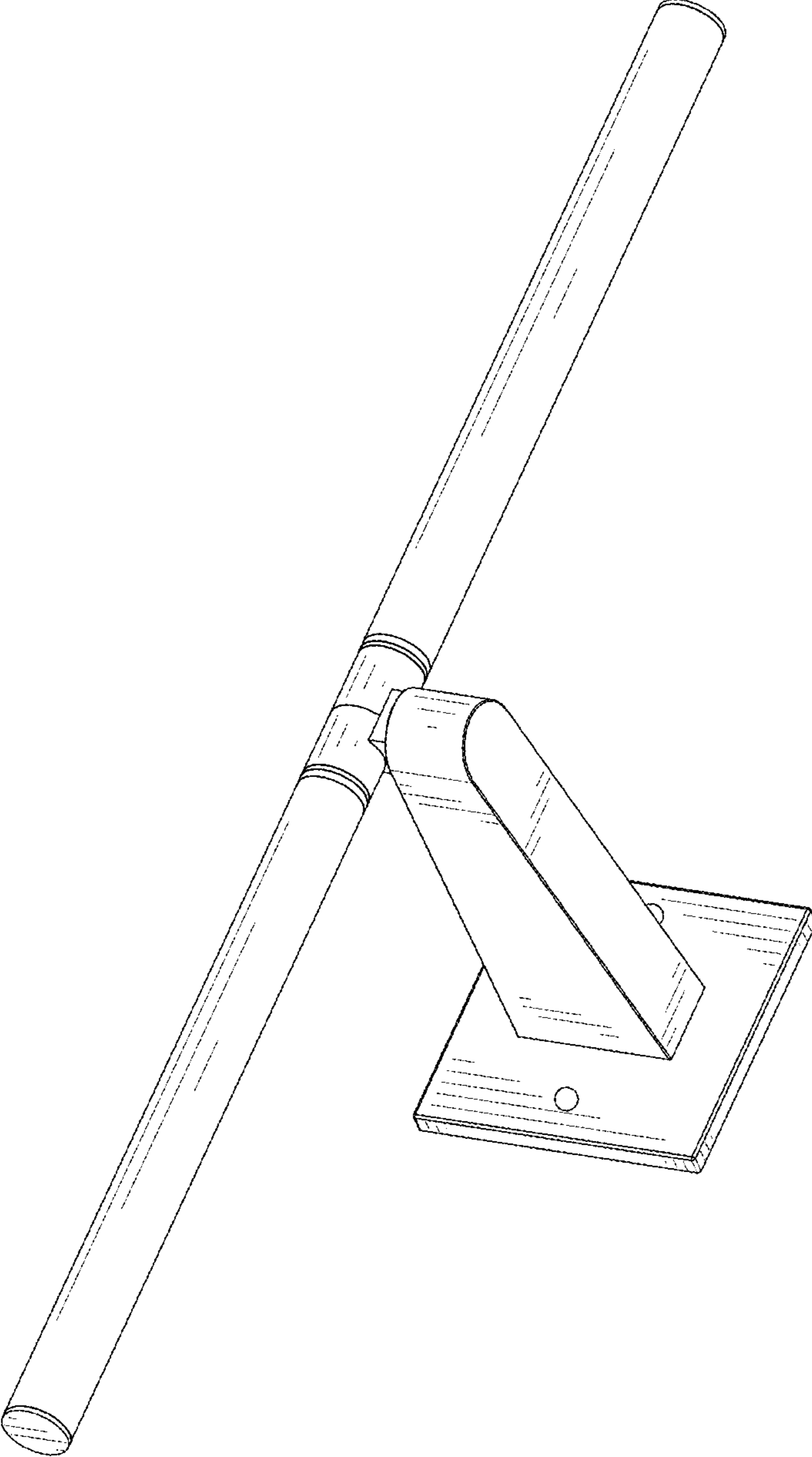


FIG. 1

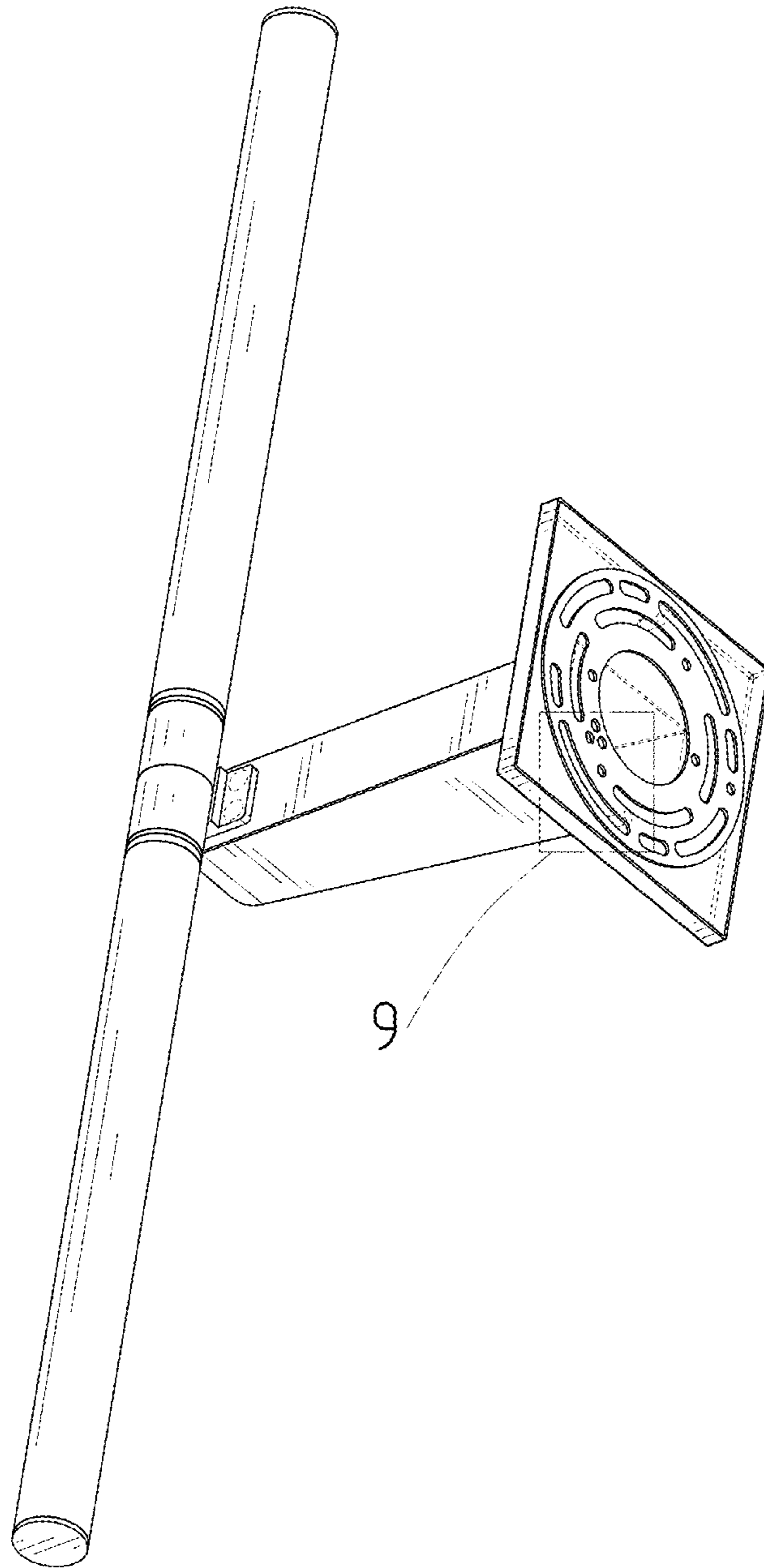


FIG. 2

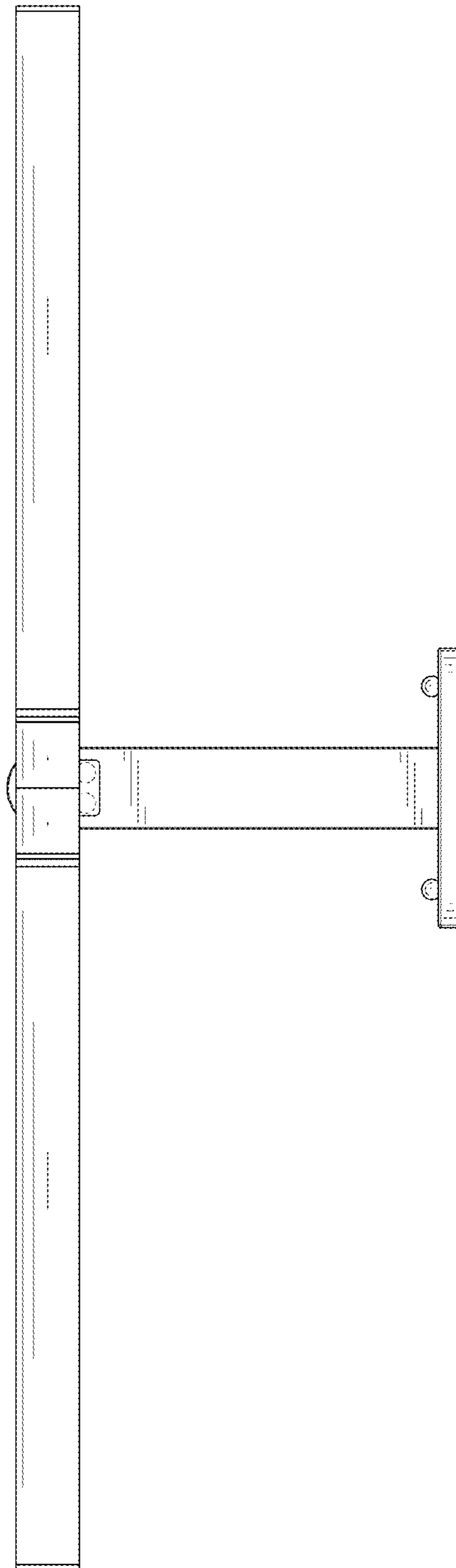


FIG. 3

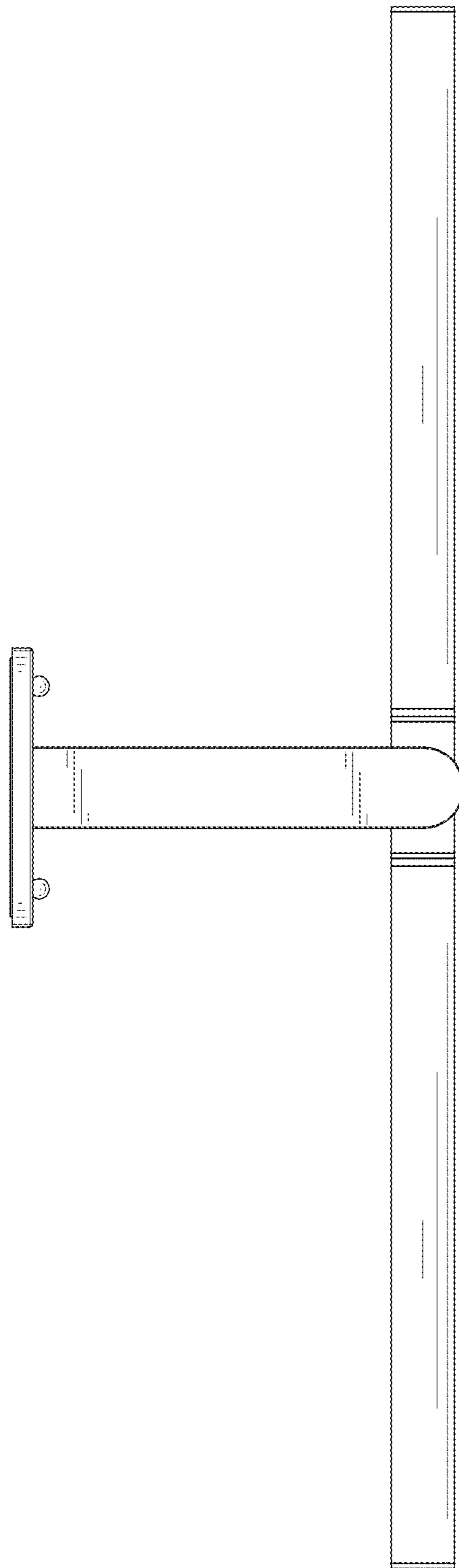


FIG. 4

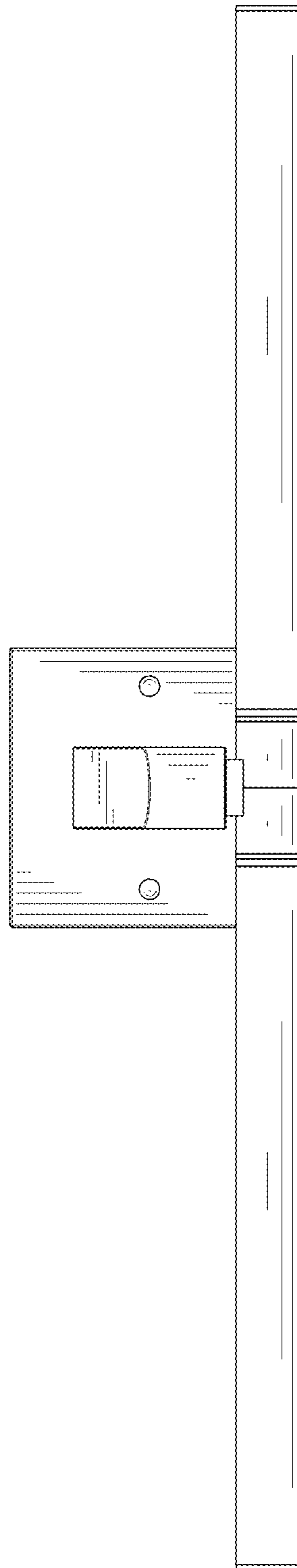


FIG. 5

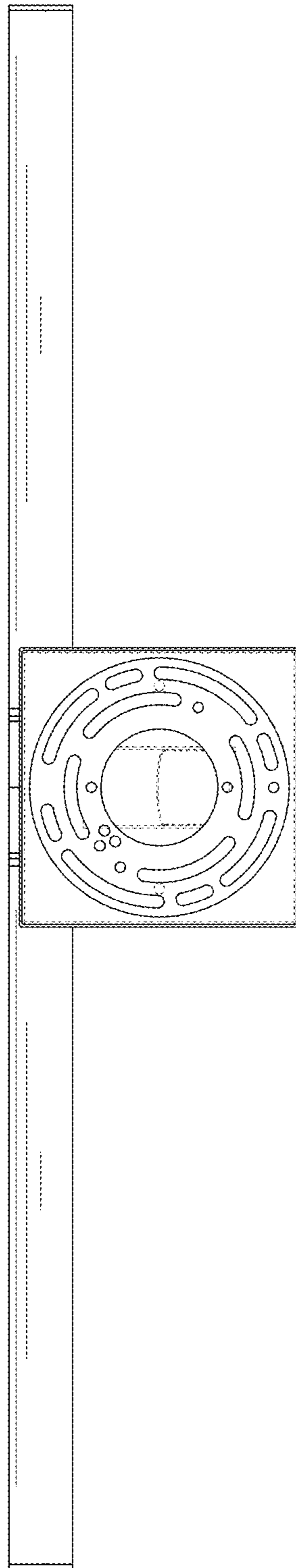


FIG. 6

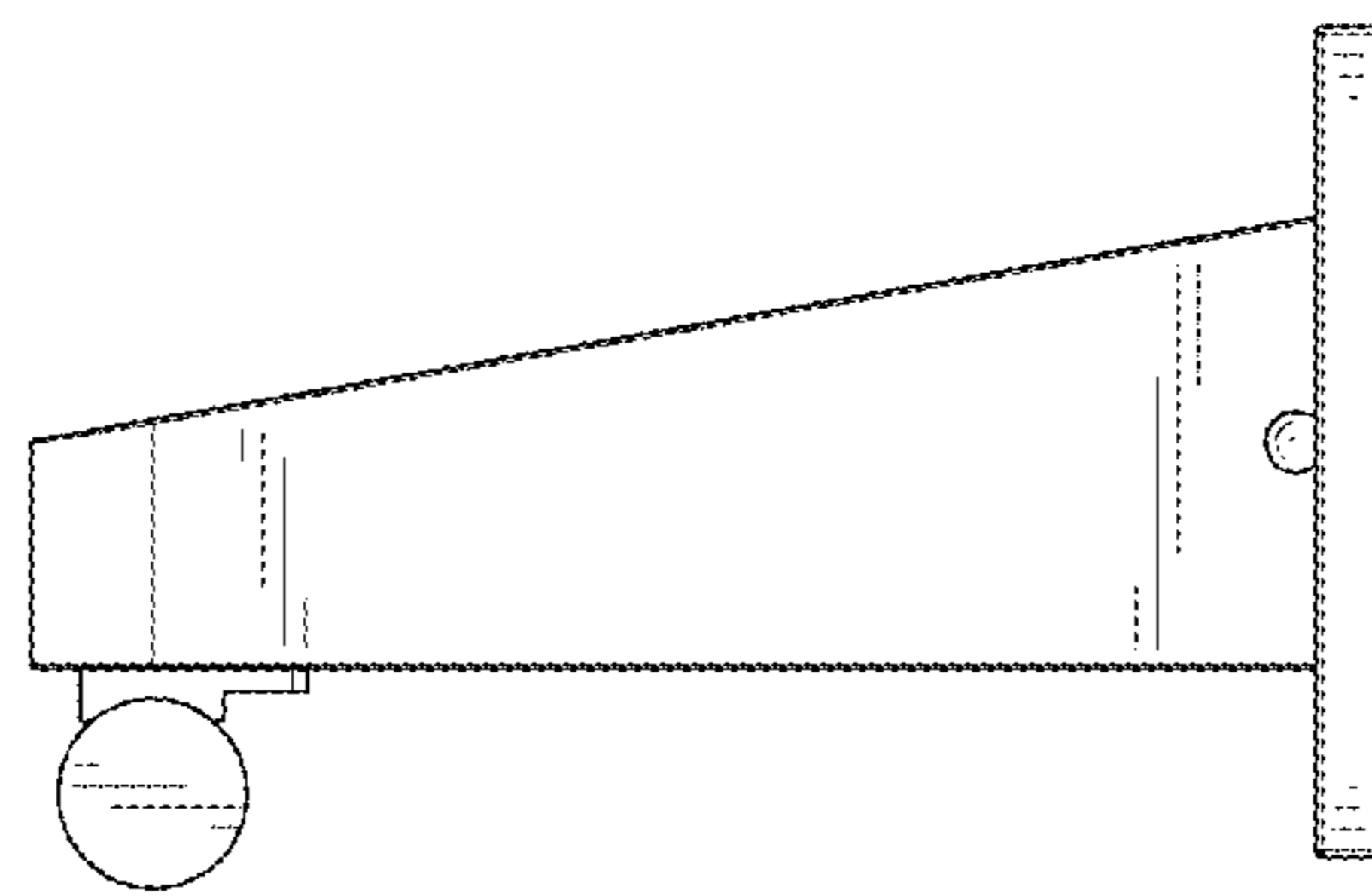


FIG. 7

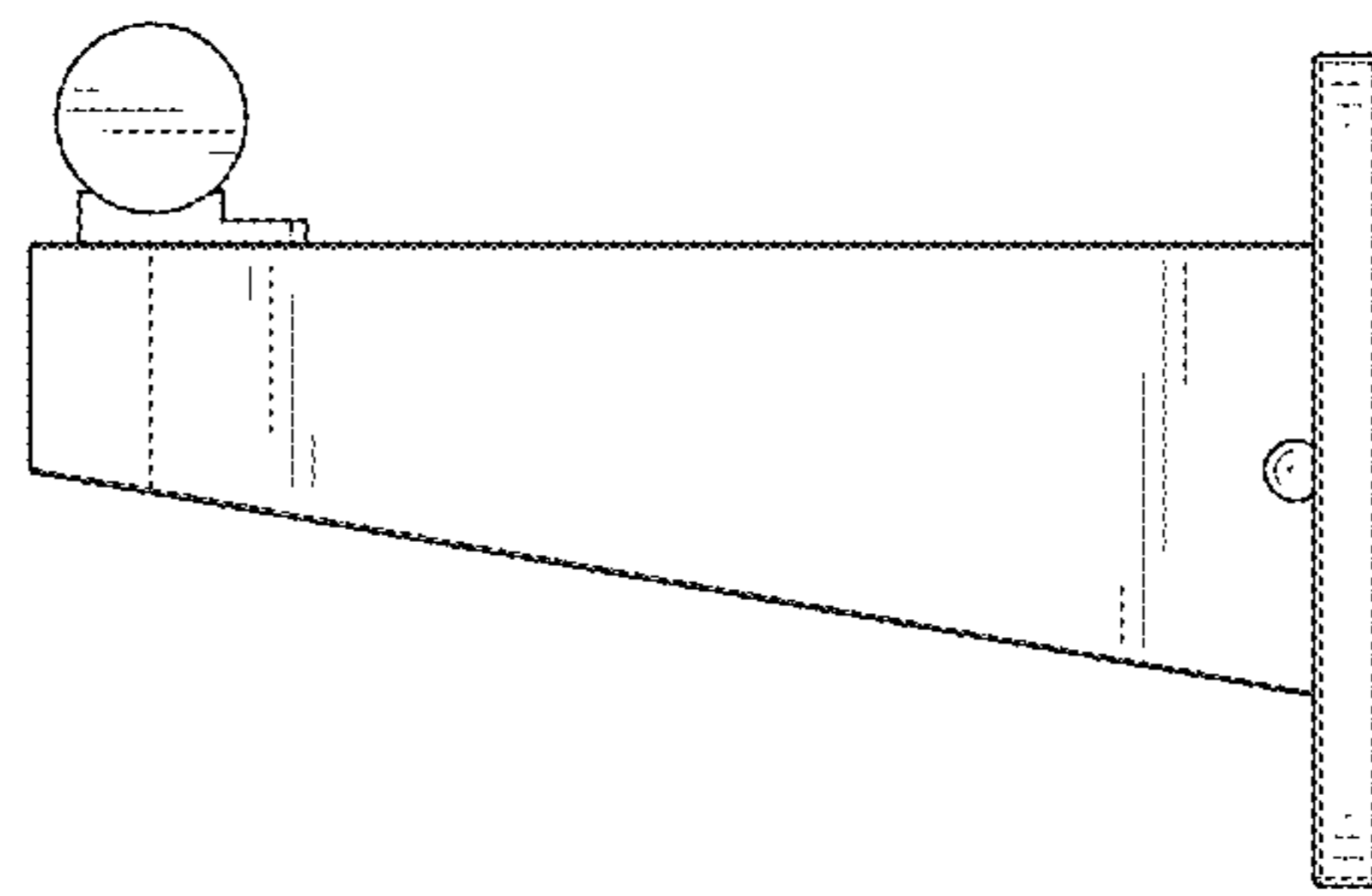


FIG. 8

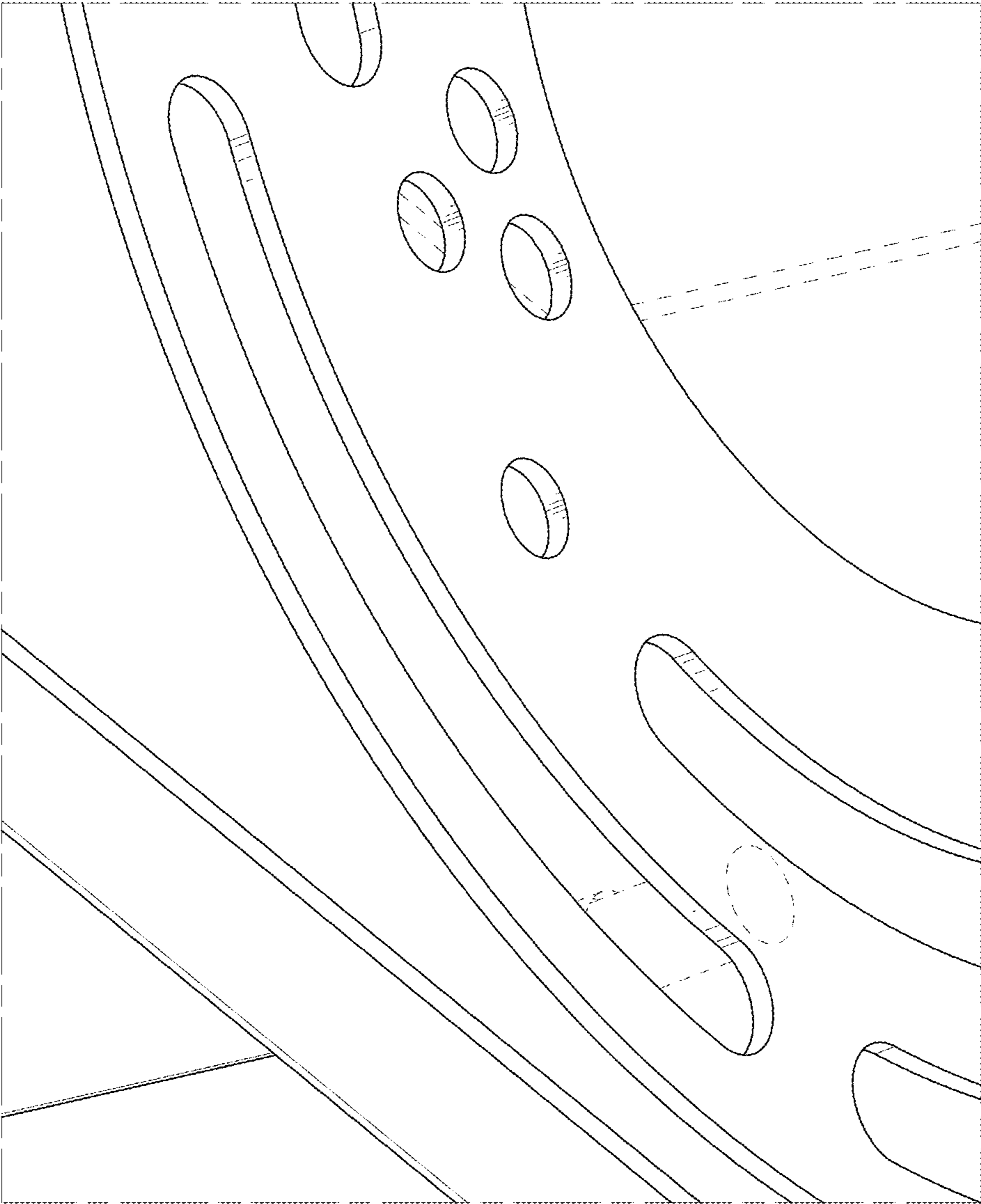


FIG. 9