



US00D977695S

(12) **United States Design Patent**
Zhou

(10) **Patent No.:** **US D977,695 S**

(45) **Date of Patent:** **** Feb. 7, 2023**

(54) **OUTDOOR LIGHT**

(71) Applicant: **Zhi Zhou**, Xiangtan (CN)

(72) Inventor: **Zhi Zhou**, Xiangtan (CN)

(73) Assignee: **Zhi Zhou**, Xiangtan (CN)

(**) Term: **15 Years**

(21) Appl. No.: **29/820,206**

(22) Filed: **Dec. 20, 2021**

(51) **LOC (14) Cl.** **26-06**

(52) **U.S. Cl.**
USPC **D26/70; D26/60; D26/80**

(58) **Field of Classification Search**
USPC D26/60, 67-70, 80
CPC ... F21S 8/088; F21S 9/02; F21S 9/037; F21V
21/088; F21V 21/0885; F21V 33/0028
See application file for complete search history.

(56) **References Cited**

U.S. PATENT DOCUMENTS

D564,687 S *	3/2008	Bucher	D26/70
7,401,936 B1 *	7/2008	Fan	A45B 3/04
				362/102
D680,673 S *	4/2013	Levine	D26/60
D864,452 S	10/2019	Wei		
10,433,492 B2 *	10/2019	Sulejmani	F21V 21/088
D917,756 S	4/2021	Gao		
D936,265 S *	11/2021	Johnson	D26/67
D960,400 S *	8/2022	Ding	D26/70
2019/0360650 A1 *	11/2019	Toner	G09F 13/02

OTHER PUBLICATIONS

Island Umbrella 6-Light Rechargeable LED Umbrella Light, ASIN: B003TQMACS. Available from amazon.com as early as Aug. 8, 2017. (Year: 2017).*
Helesin Patio Umbrella Light, ASIN: B07QQSBSH7. Available from amazon.com Apr. 15, 2019. (Year: 2019).*
Honwell Patio Umbrella Light, ASIN: B088H1THSZ. Available from amazon.com May 12, 2020. (Year: 2020).*
Tintindoc Color Umbrella Light with Remote, ASIN: B092YMJ39B. Available from amazon.com Apr. 19, 2021. (Year: 2021).*

* cited by examiner

Primary Examiner — Clare E Heflin

(74) *Attorney, Agent, or Firm* — Nitin Kaushik

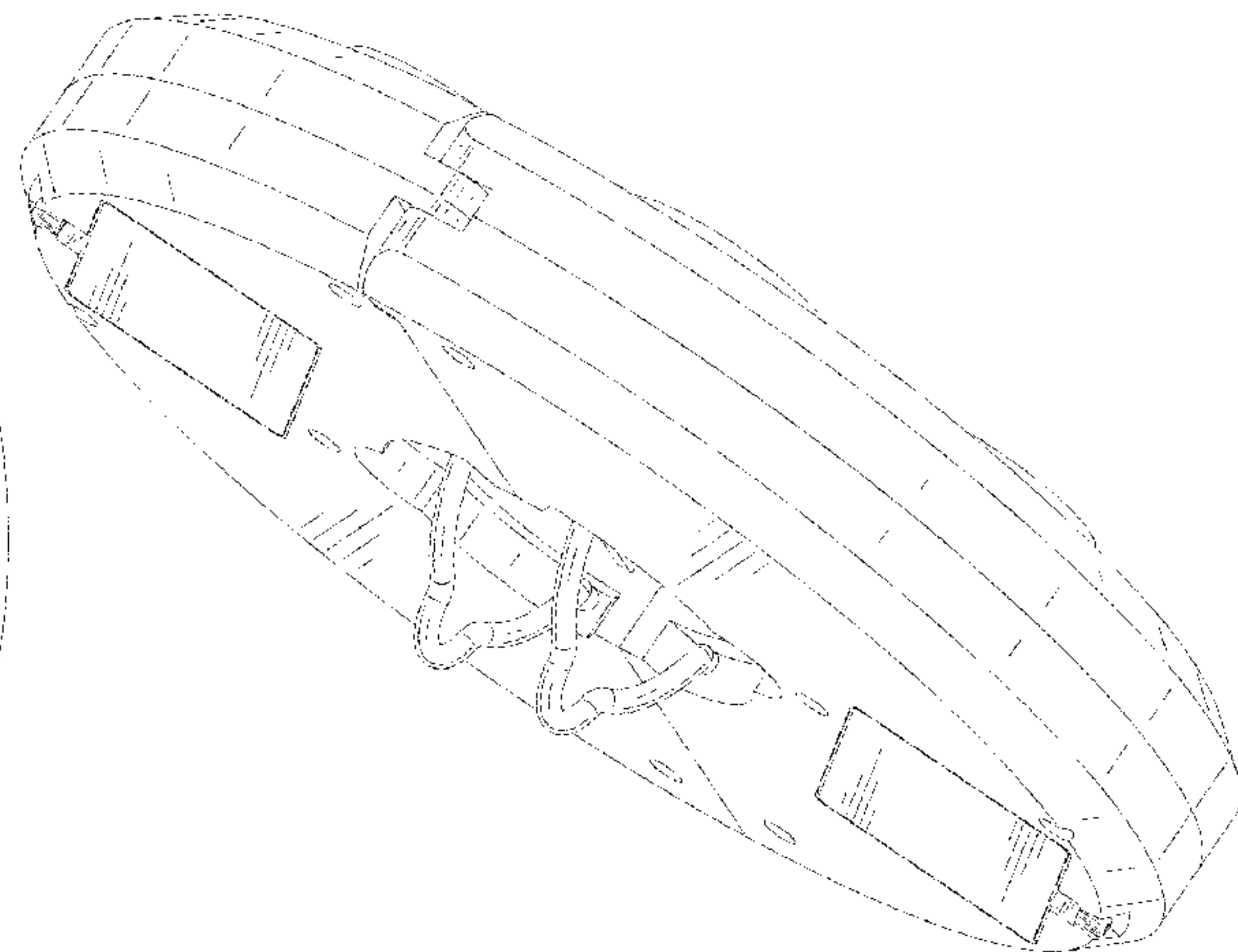
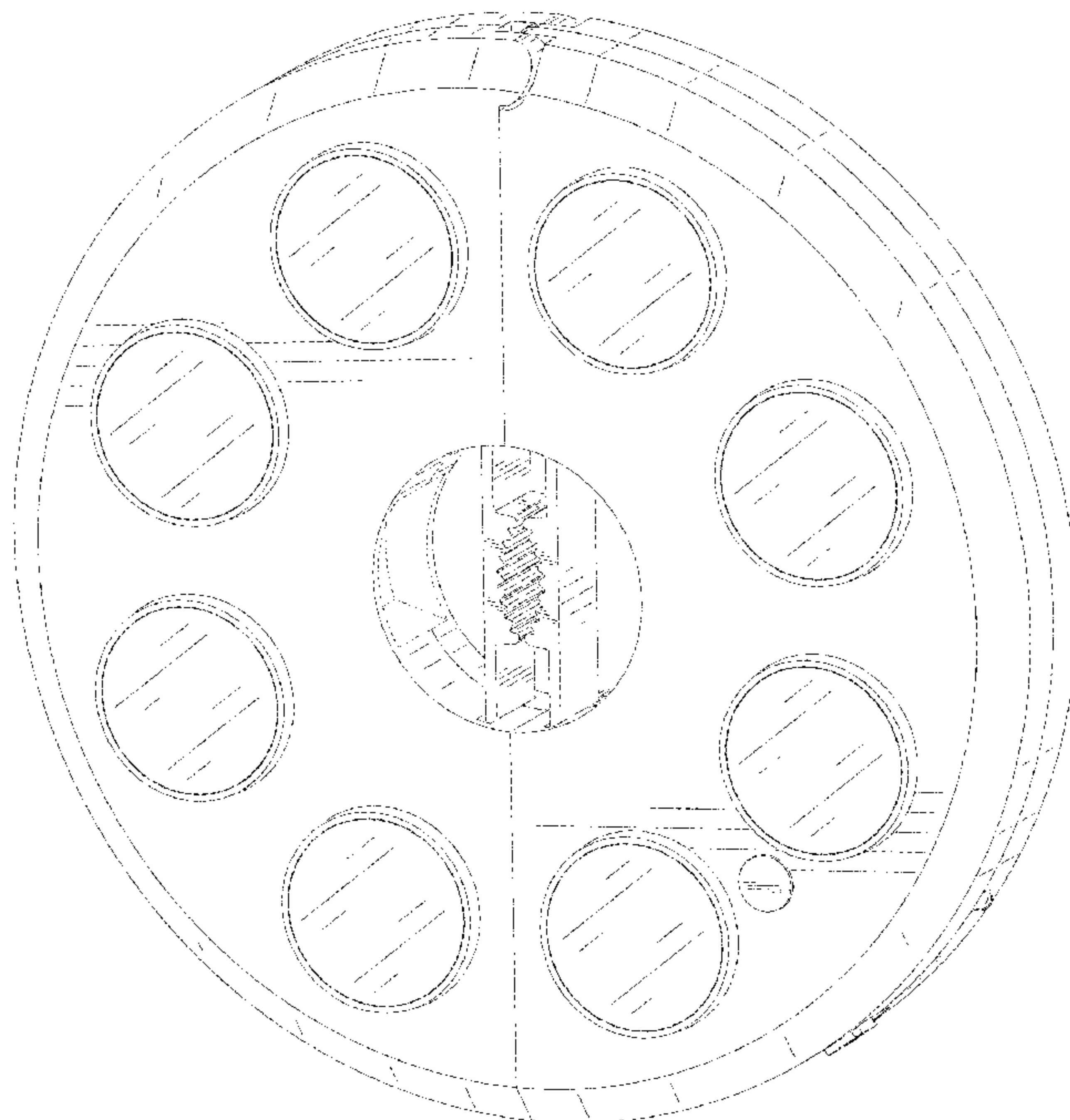
(57) **CLAIM**

The ornamental design for an outdoor light, as shown and described.

DESCRIPTION

FIG. 1 is a perspective view of an outdoor light showing my new design;
FIG. 2 is another perspective view thereof;
FIG. 3 is a front elevational view thereof;
FIG. 4 is a rear elevational view thereof;
FIG. 5 is a left side elevational view thereof;
FIG. 6 is a right side elevational view thereof;
FIG. 7 is a top plan view thereof;
FIG. 8 is a bottom plan view thereof;
FIG. 9 is a perspective view of the outdoor light where the outdoor light is in a first configuration of use; and,
FIG. 10 is a perspective view of the outdoor light where the outdoor light is in a second configuration of use.
The broken lines in the drawings depict portions of the outdoor light that form no part of the claimed design.

1 Claim, 10 Drawing Sheets



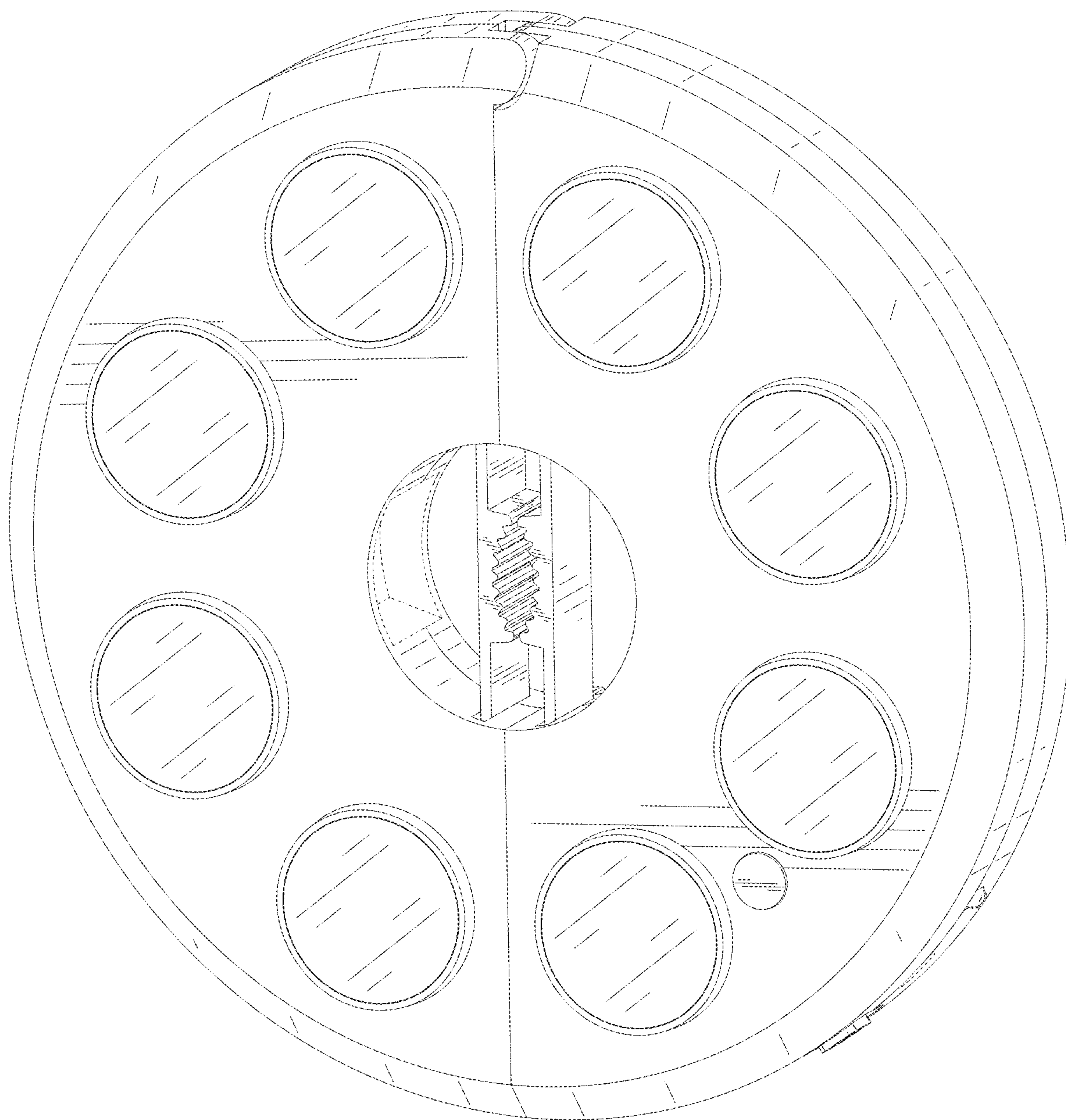


FIG. 1

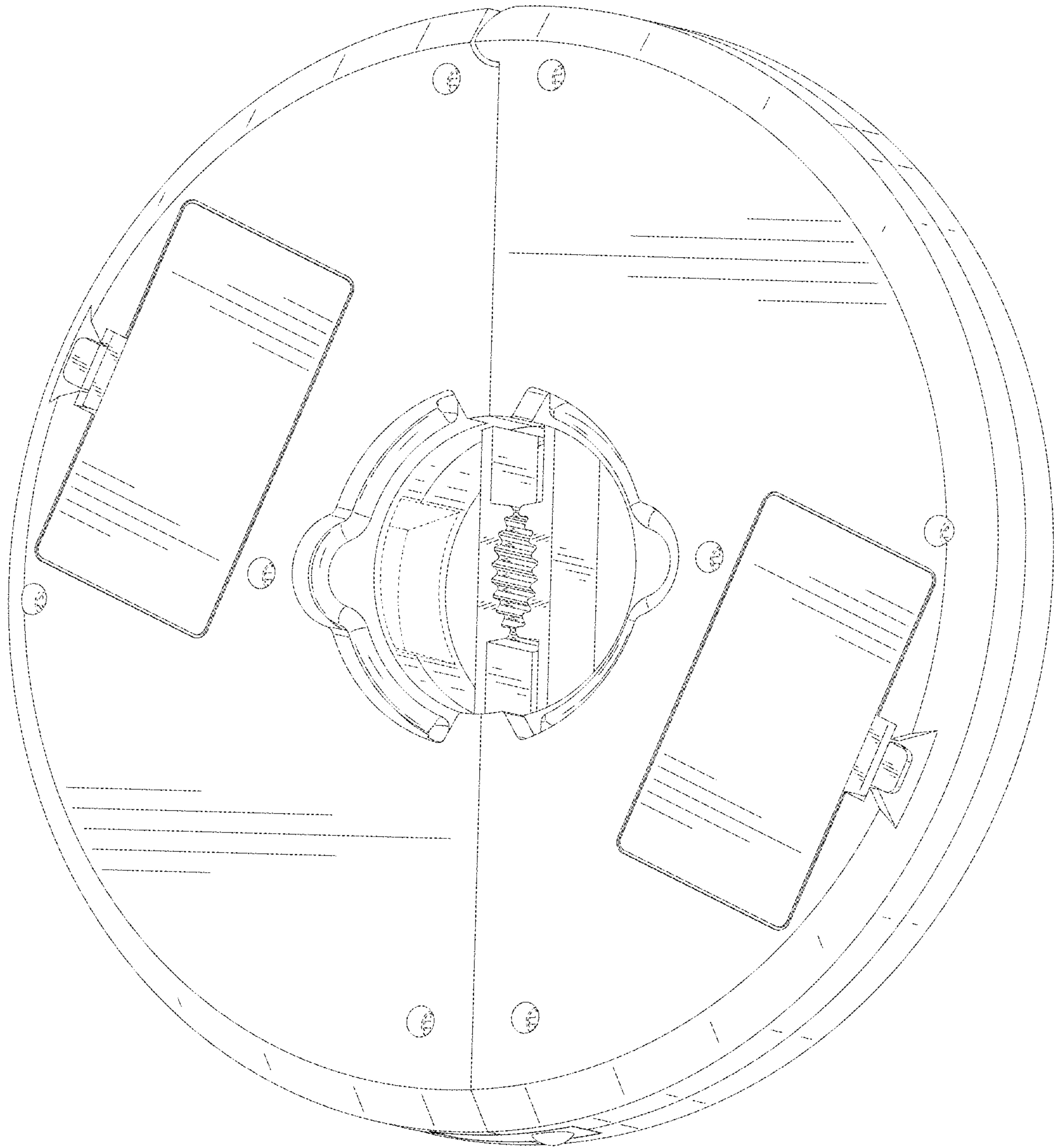


FIG. 2

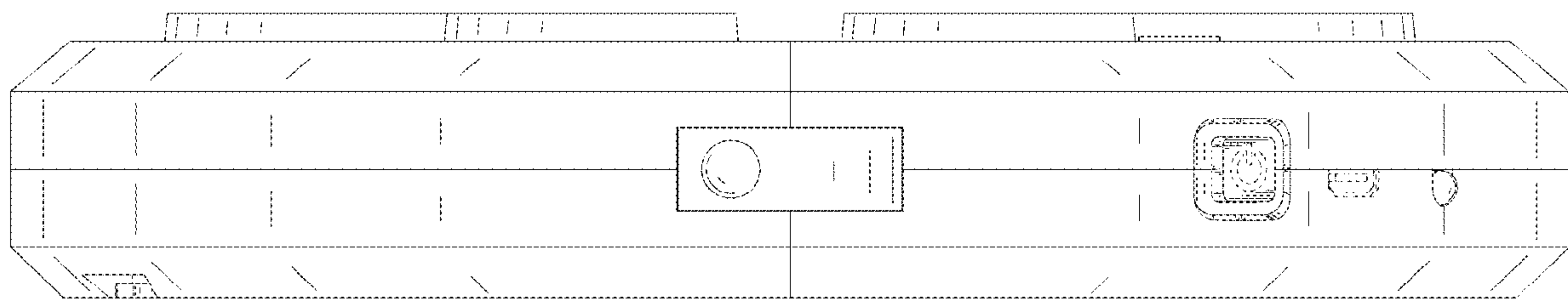


FIG. 3

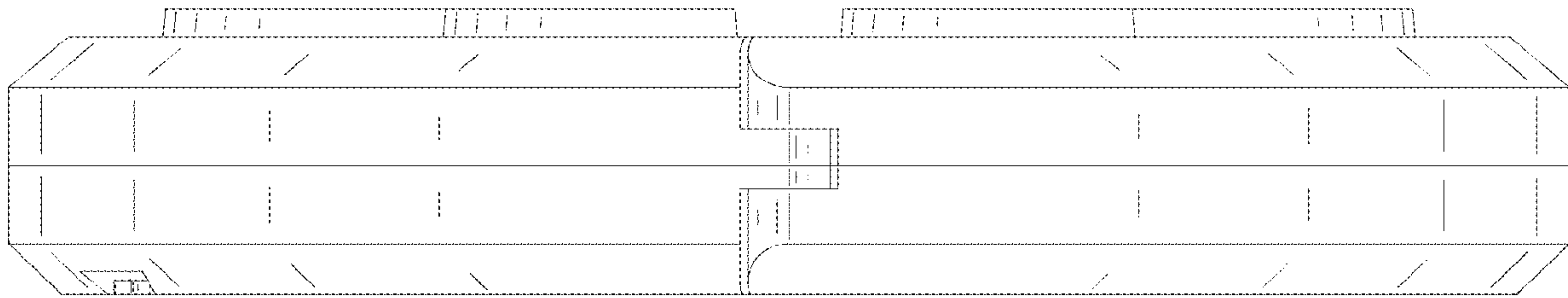


FIG. 4

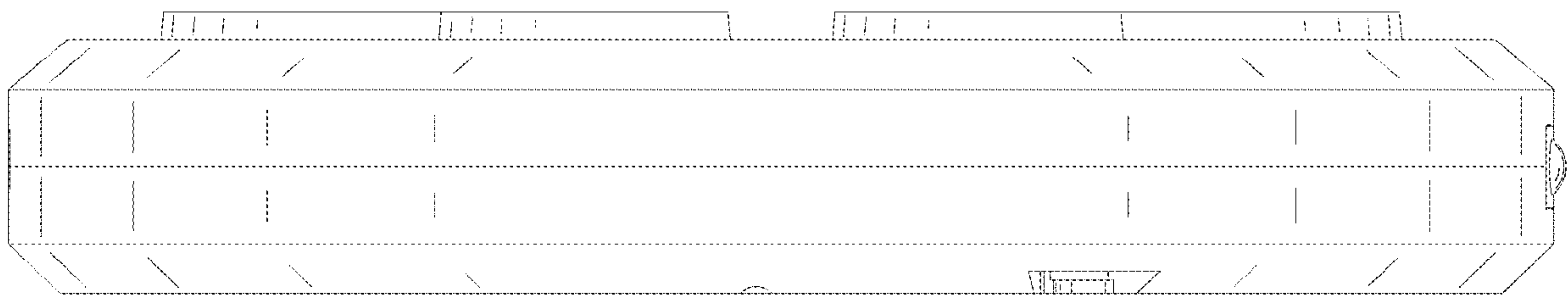


FIG. 5

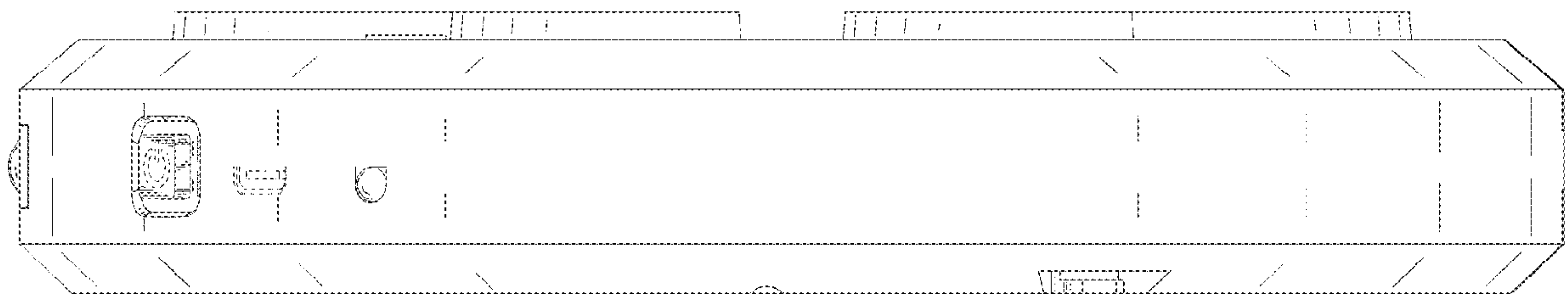


FIG. 6

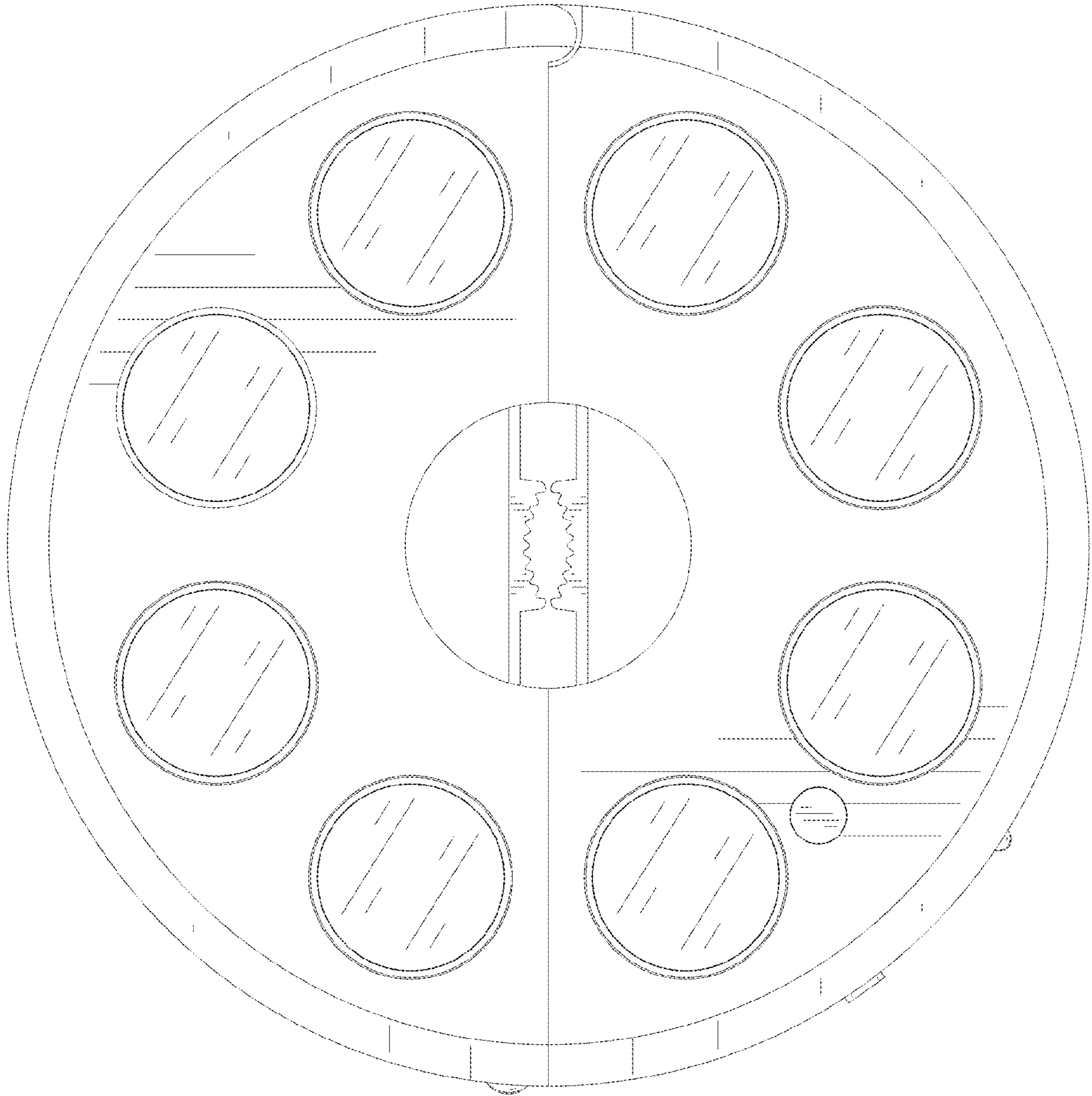


FIG. 7

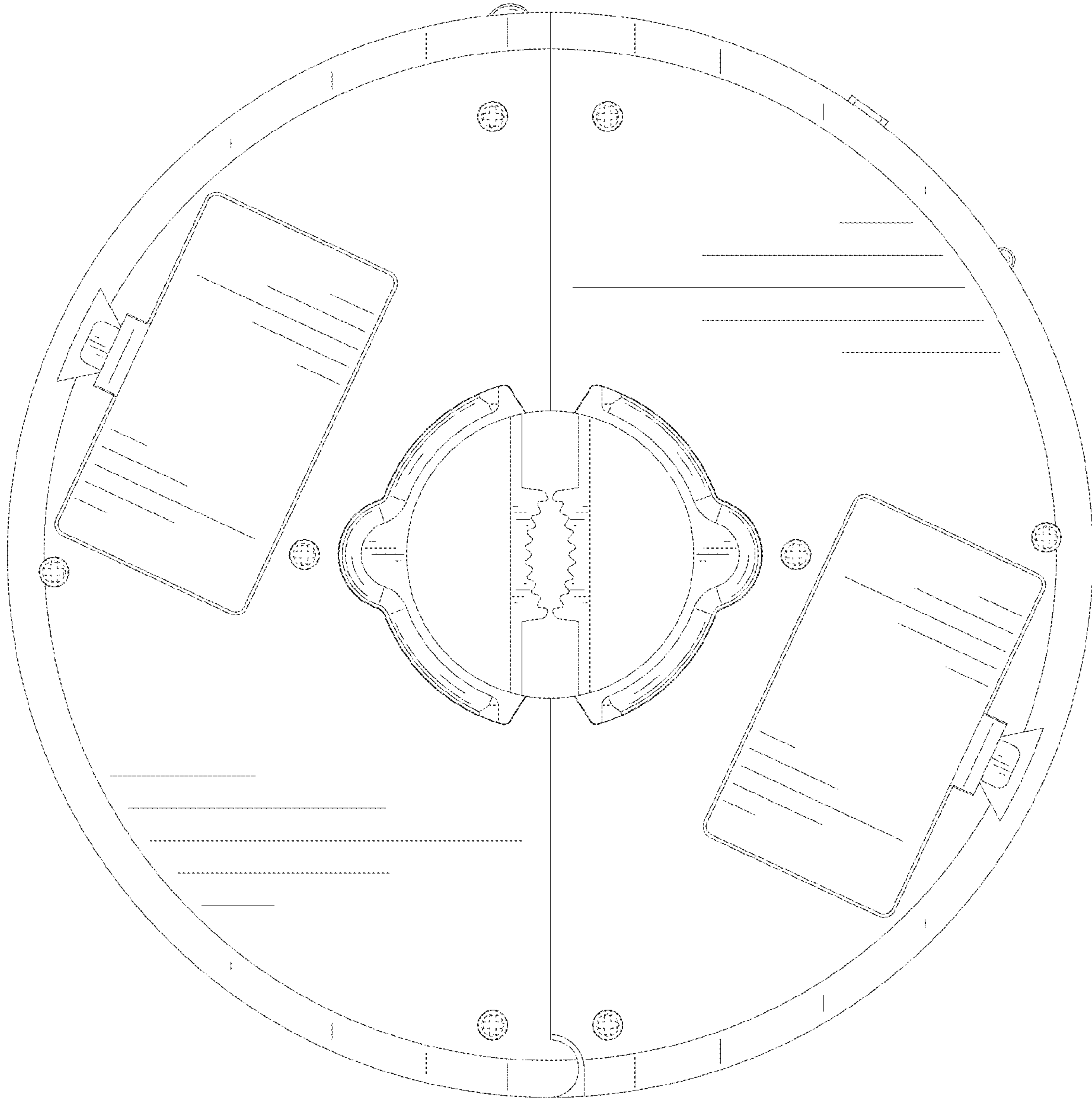


FIG. 8

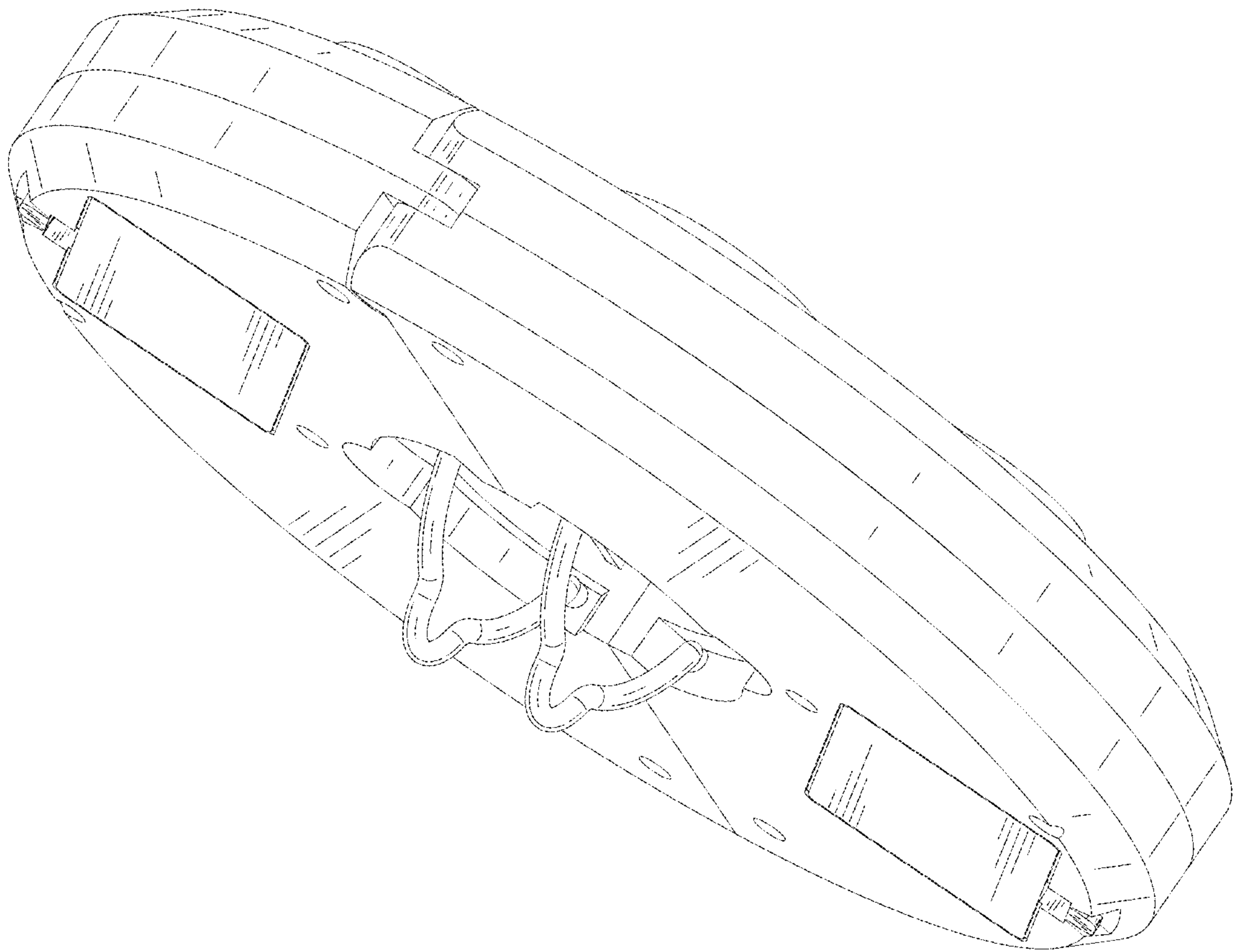


FIG. 9

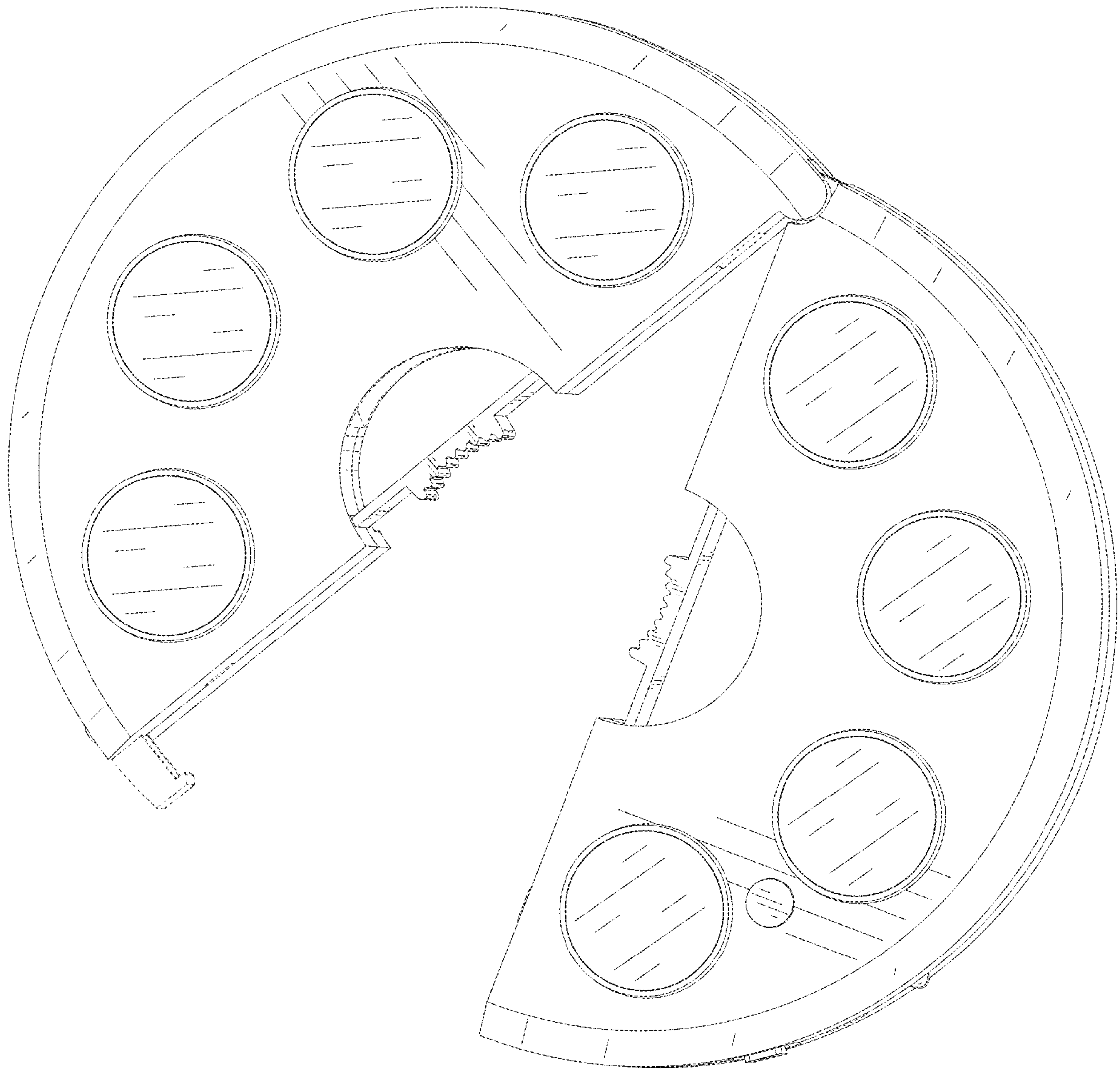


FIG. 10