



US00D977691S

(12) **United States Design Patent** (10) **Patent No.:** **US D977,691 S**
Polder et al. (45) **Date of Patent:** **** Feb. 7, 2023**

(54) **REAR COMBINATION LAMP FOR AUTOMOBILE**

(71) Applicants: **Hyundai Motor Company**, Seoul (KR); **Kia Corporation**, Seoul (KR)

(72) Inventors: **Joel Vande Polder**, Superior Township, MI (US); **Bradley Arnold**, Superior Township, MI (US); **Miranda Simpson**, Superior Township, MI (US)

(73) Assignees: **Hyundai Motor Company**, Seoul (KR); **Kia Corporation**, Seoul (KR)

(**) Term: **15 Years**

(21) Appl. No.: **29/779,317**

(22) Filed: **Apr. 19, 2021**

(51) **LOC (14) Cl.** **26-06**

(52) **U.S. Cl.**
USPC **D26/28**

(58) **Field of Classification Search**
USPC D26/28, 29, 30, 31, 32, 33, 34, 35, 36
CPC F21W 2103/35; F21W 2103/40; F21W 2102/17; F21W 2102/30; F21W 2103/00; F21W 2103/55; F21W 2104/00; F21W 2107/17; F21W 2107/13; F21S 41/00; F21S 41/141; F21S 41/162; F21S 41/18; F21S 41/20; F21S 41/33; F21S 41/36; F21S 41/60; F21S 43/00; F21V 21/04
See application file for complete search history.

(56) **References Cited**

U.S. PATENT DOCUMENTS

D866,821 S * 11/2019 Hannemann D26/28
D869,020 S * 12/2019 Allmendinger D26/28

D884,937 S * 5/2020 Zhai D26/28
D910,893 S * 2/2021 Chan D26/28
D919,858 S * 5/2021 Park D26/28
D922,632 S * 6/2021 Lee D26/28
D922,633 S * 6/2021 Jin D26/28
D934,465 S * 10/2021 Allmendinger D26/28
D942,056 S * 1/2022 Allmendinger D26/28
D947,426 S * 3/2022 Hur D26/28

* cited by examiner

Primary Examiner — Angela J Lee

(74) *Attorney, Agent, or Firm* — Fox Rothschild LLP

(57) **CLAIM**

The ornamental design for a rear combination lamp for automobile, as shown and described.

DESCRIPTION

FIG. 1 is a perspective view of a rear combination lamp for automobile according to the present invention.
FIG. 2 is a front view of the rear combination lamp for automobile of FIG. 1.
FIG. 3 is a rear view of the rear combination lamp for automobile of FIG. 1.
FIG. 4 is a left side view of the rear combination lamp for automobile of FIG. 1.
FIG. 5 is a right side view of the rear combination lamp for automobile of FIG. 1.
FIG. 6 is a top view of the rear combination lamp for automobile of FIG. 1; and,
FIG. 7 is a bottom view of the rear combination lamp for automobile of FIG. 1.

1 Claim, 7 Drawing Sheets

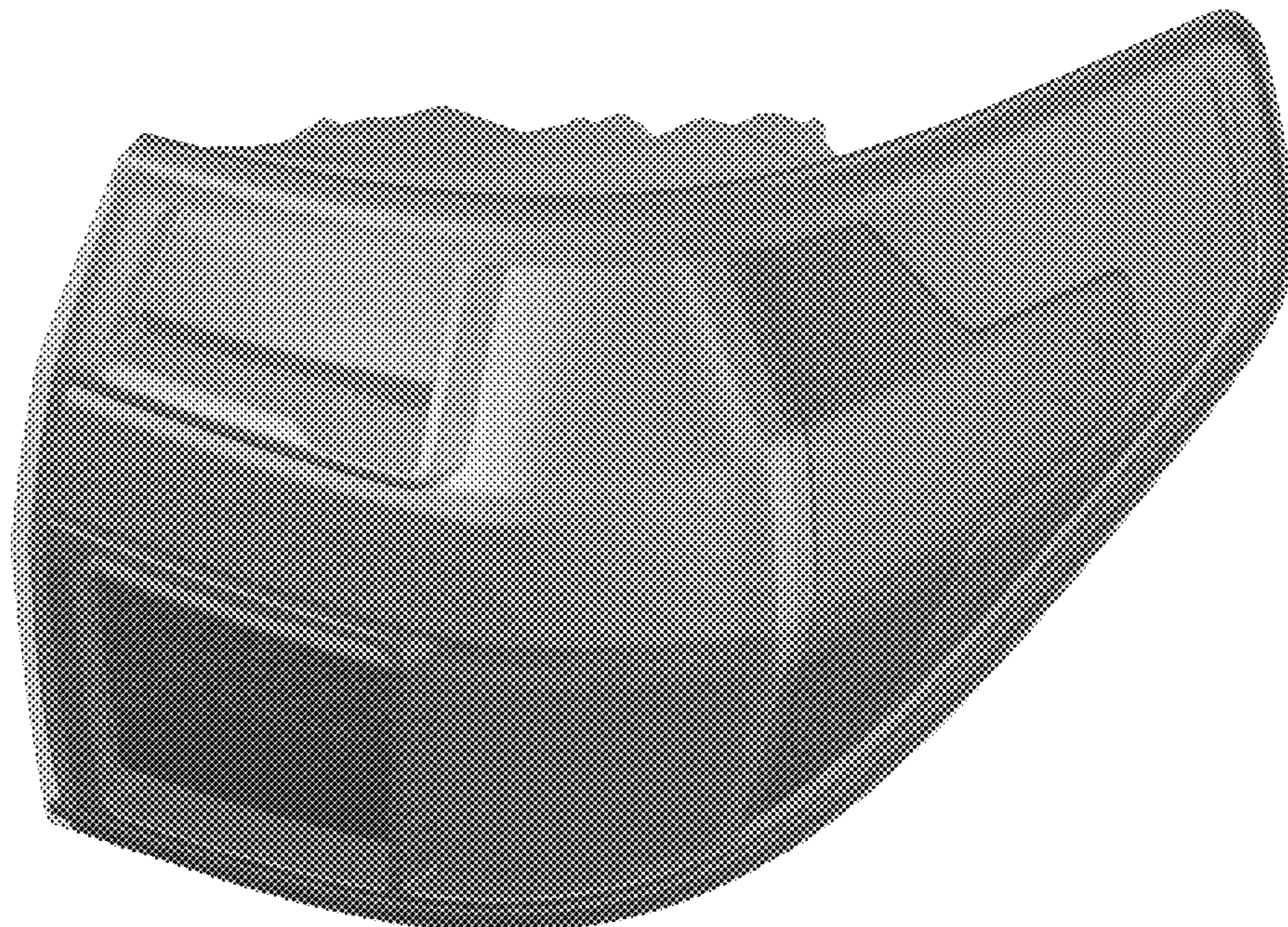


FIG. 1

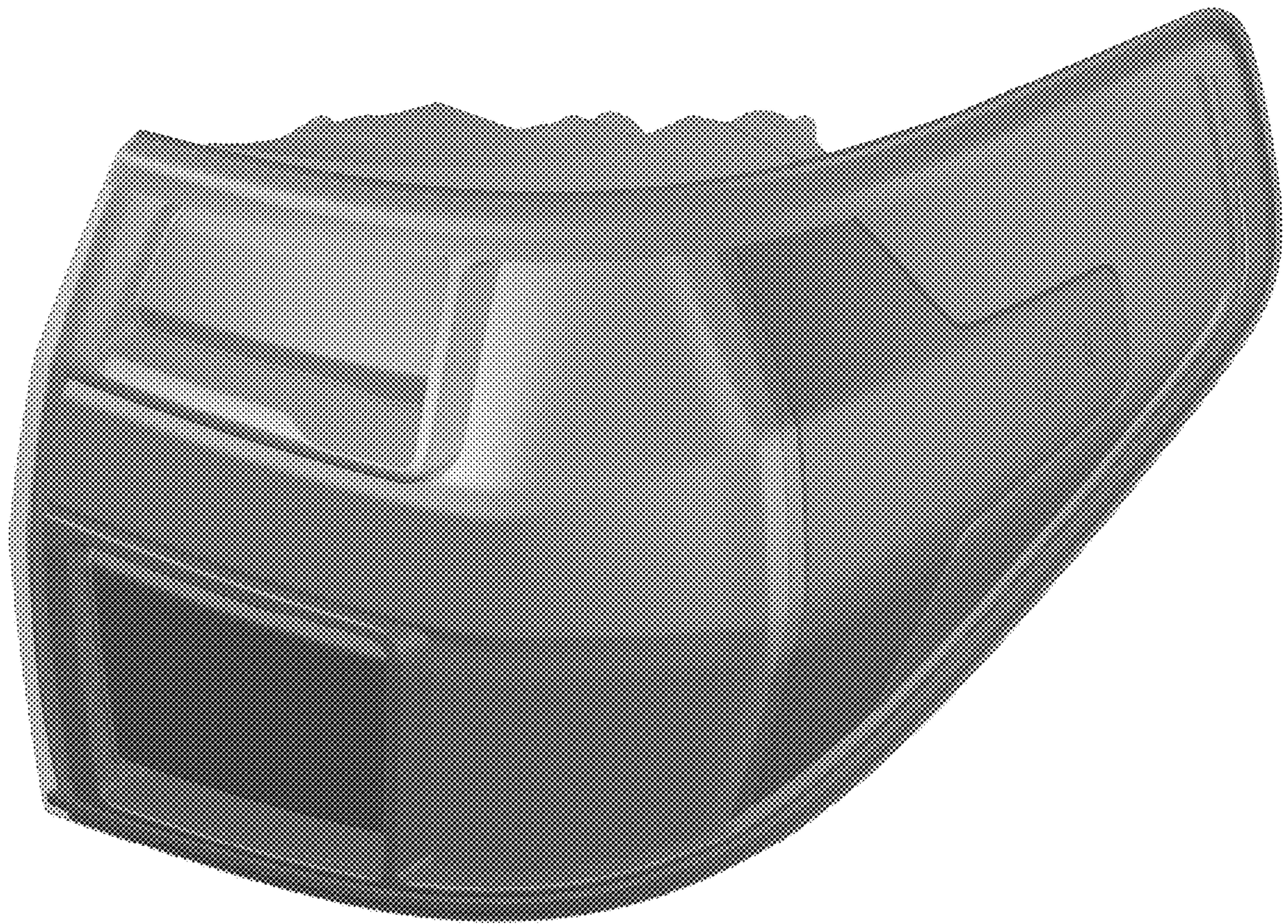


FIG. 2



FIG. 3

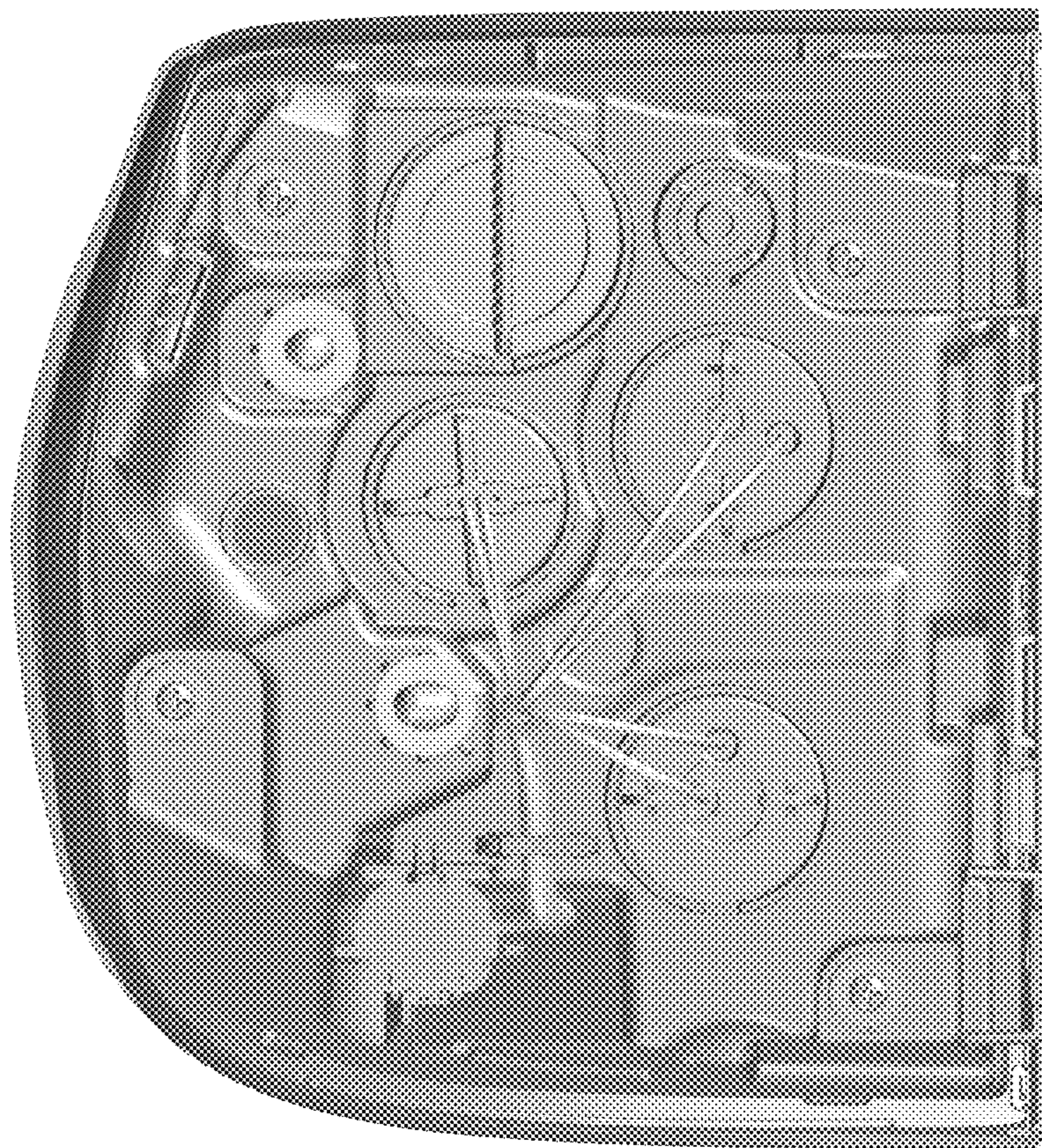


FIG. 4

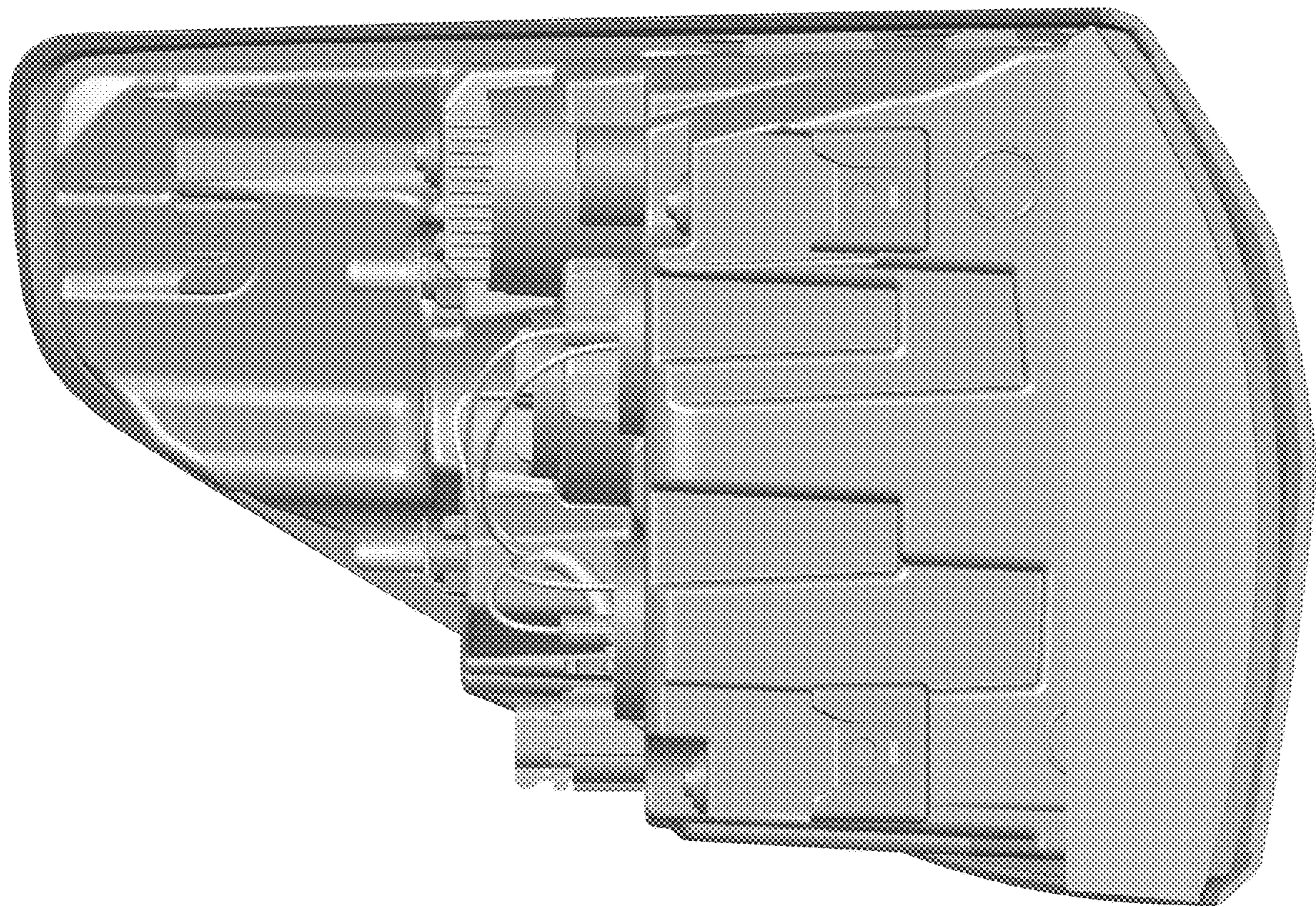


FIG. 5

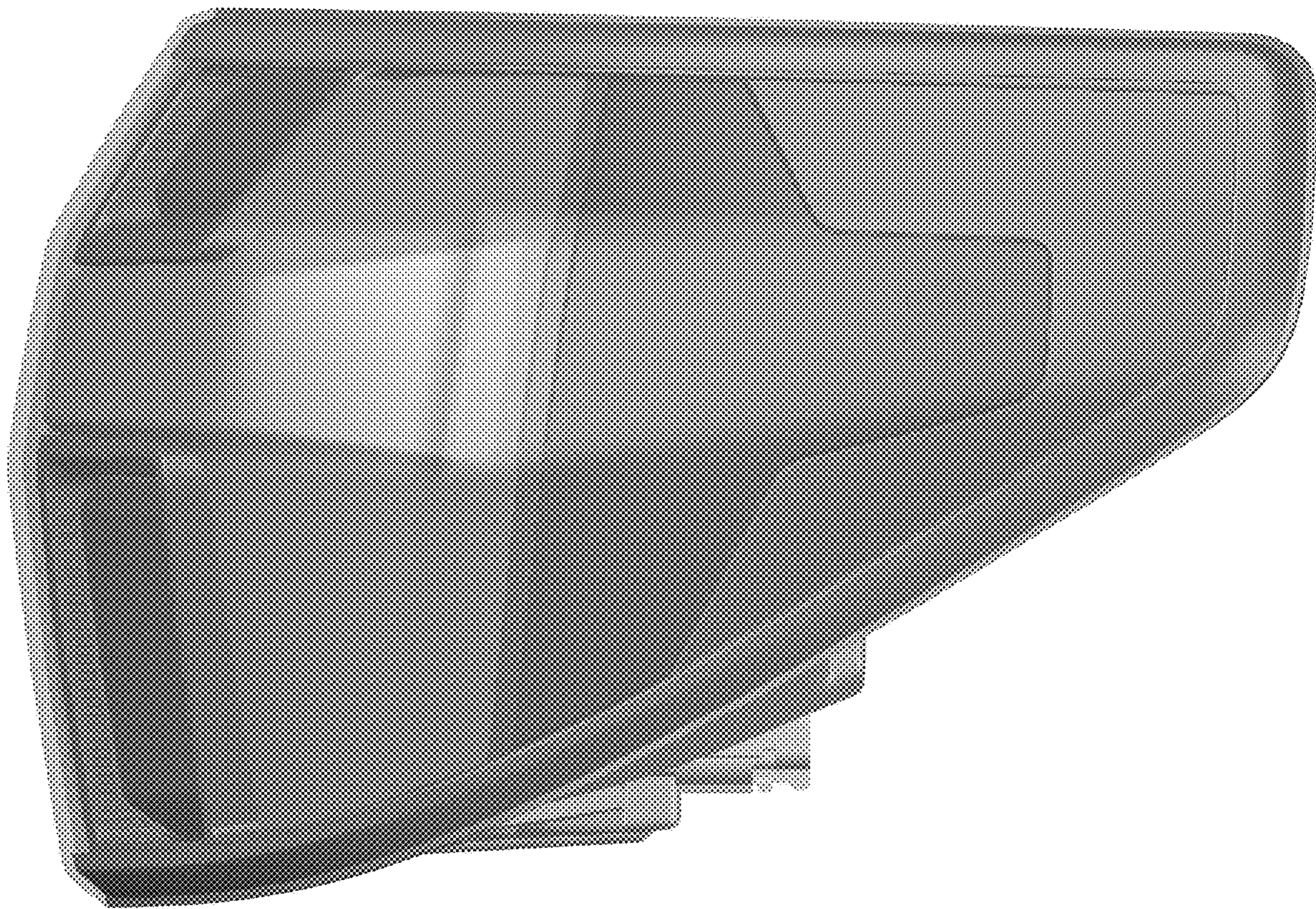


FIG. 6

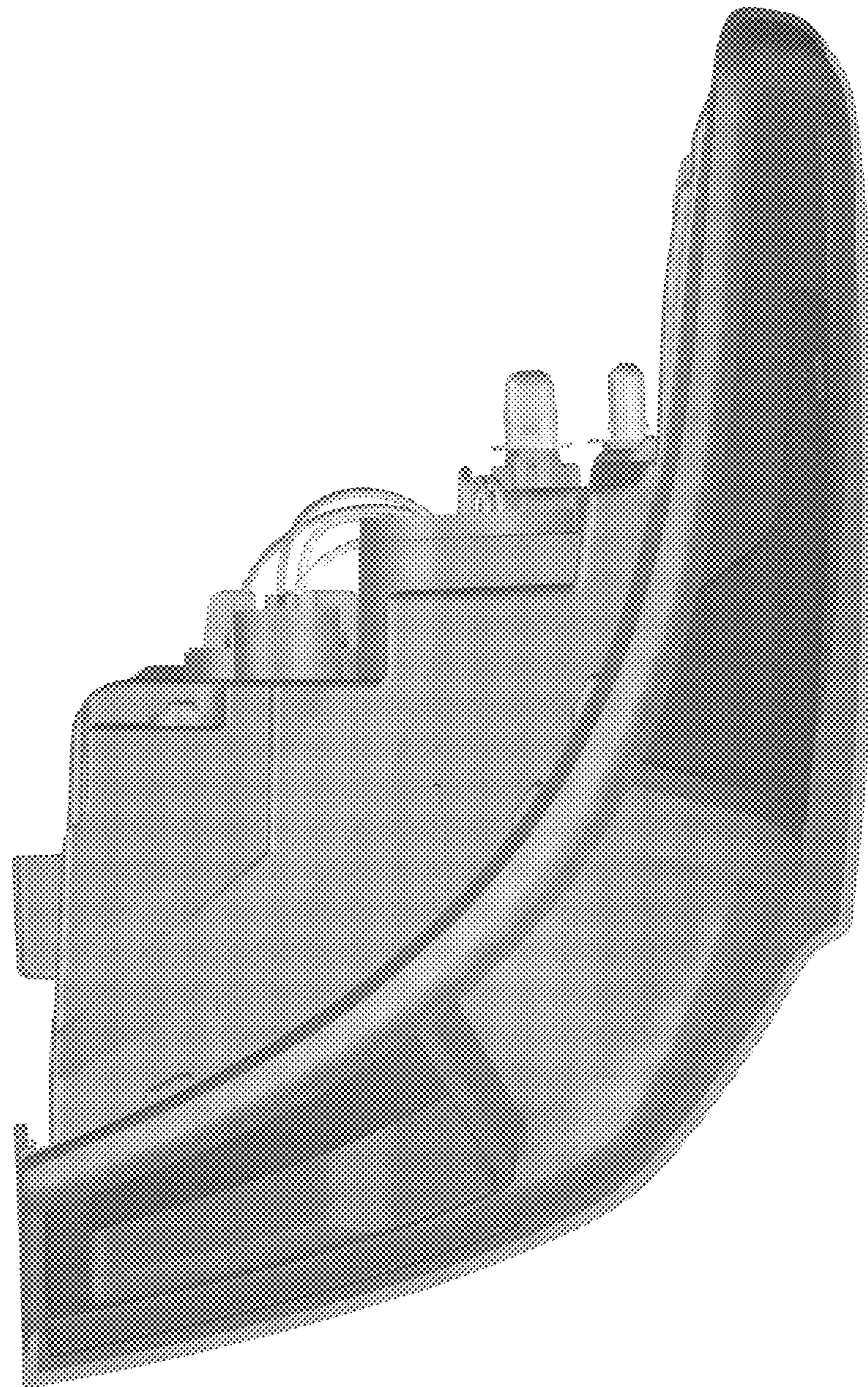


FIG. 7

