



US00D977690S

(12) **United States Design Patent** (10) **Patent No.:** **US D977,690 S**
Lin (45) **Date of Patent:** **** Feb. 7, 2023**

(54) **VEHICLE HEADLIGHT**
(71) Applicant: **KUEN HWA TRAFFIC INDUSTRIAL CO., LTD.**, Tainan (TW)
(72) Inventor: **Chung-I Lin**, Hsinchu (TW)
(73) Assignee: **Kuen Hwa Traffic Industrial Co., Ltd.**, Tainan (TW)

D883,535 S 5/2020 He
D890,382 S * 7/2020 Wu D26/28
D891,649 S * 7/2020 Metros D26/28
D899,641 S * 10/2020 He D26/28
D919,843 S * 5/2021 Lin D26/28
D927,741 S * 8/2021 Lin D26/28
D932,069 S * 9/2021 Wu D26/28
D932,070 S * 9/2021 Lin D26/28
D933,270 S * 10/2021 Wu D26/28
D936,871 S * 11/2021 Wu D26/28
D937,454 S * 11/2021 Wu D26/28
D938,079 S * 12/2021 Lin D26/28
D938,633 S * 12/2021 Yang D26/28
D939,742 S * 12/2021 Wu D26/28
11,267,391 B1 * 3/2022 Wu F21S 43/37

(**) Term: **15 Years**
(21) Appl. No.: **29/743,850**

* cited by examiner

(22) Filed: **Jul. 24, 2020**
(51) **LOC (14) Cl.** **26-06**
(52) **U.S. Cl.**
USPC **D26/28**
CPC **F21S 41/33** (2018.01)

Primary Examiner — Richard E Chilcot
(74) *Attorney, Agent, or Firm* — Rosenberg, Klein & Lee

(58) **Field of Classification Search**
USPC D26/28, 29, 30, 31, 32, 33, 34, 35, 36
CPC .. F21S 41/33; F21S 41/60; F21S 41/00; F21S 43/00; F21S 41/141; F21S 41/162; F21S 41/18; F21S 41/20; F21S 41/36; F21F 21/04; F21W 2103/40; F21W 2103/35; F21W 2107/17; F21W 2107/13
See application file for complete search history.

(57) **CLAIM**

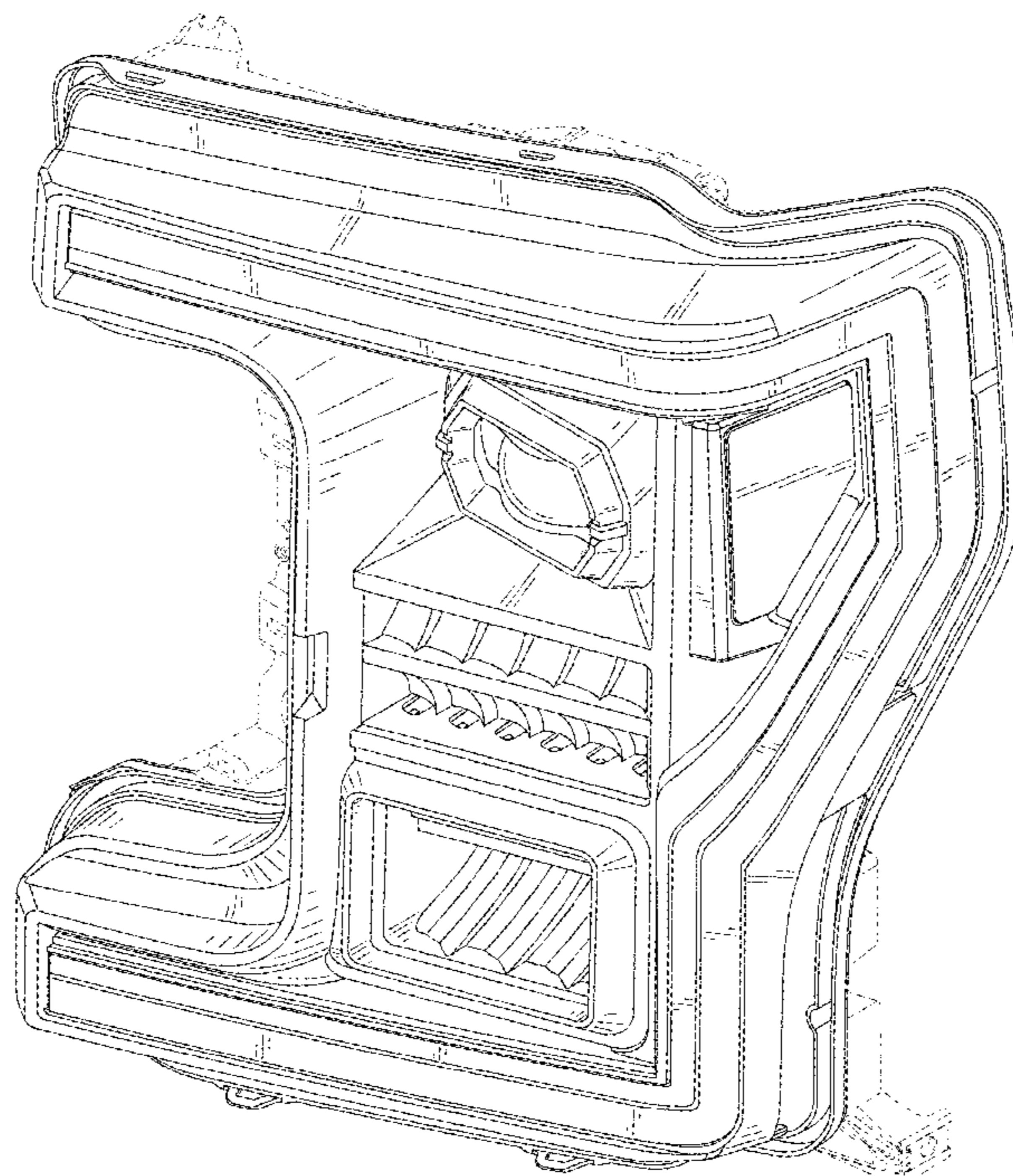
The ornamental design for a vehicle headlight, as shown and described.

DESCRIPTION

FIG. 1 is a perspective view of a vehicle headlight showing my present design;
FIG. 2 is a front view thereof;
FIG. 3 is a rear view thereof;
FIG. 4 is a left view thereof;
FIG. 5 is a right view thereof;
FIG. 6 is a top plane view thereof;
FIG. 7 is a bottom plane view thereof; and,
FIG. 8 is another perspective view thereof.
The broken lines in the drawings illustrate portions of the vehicle headlight which form no part of the claimed design.

(56) **References Cited**
U.S. PATENT DOCUMENTS
D771,850 S 11/2016 Platto et al.
D849,285 S 5/2019 Lin
D863,628 S 10/2019 Lin
D874,039 S 1/2020 He
D882,133 S 4/2020 Wu

1 Claim, 8 Drawing Sheets



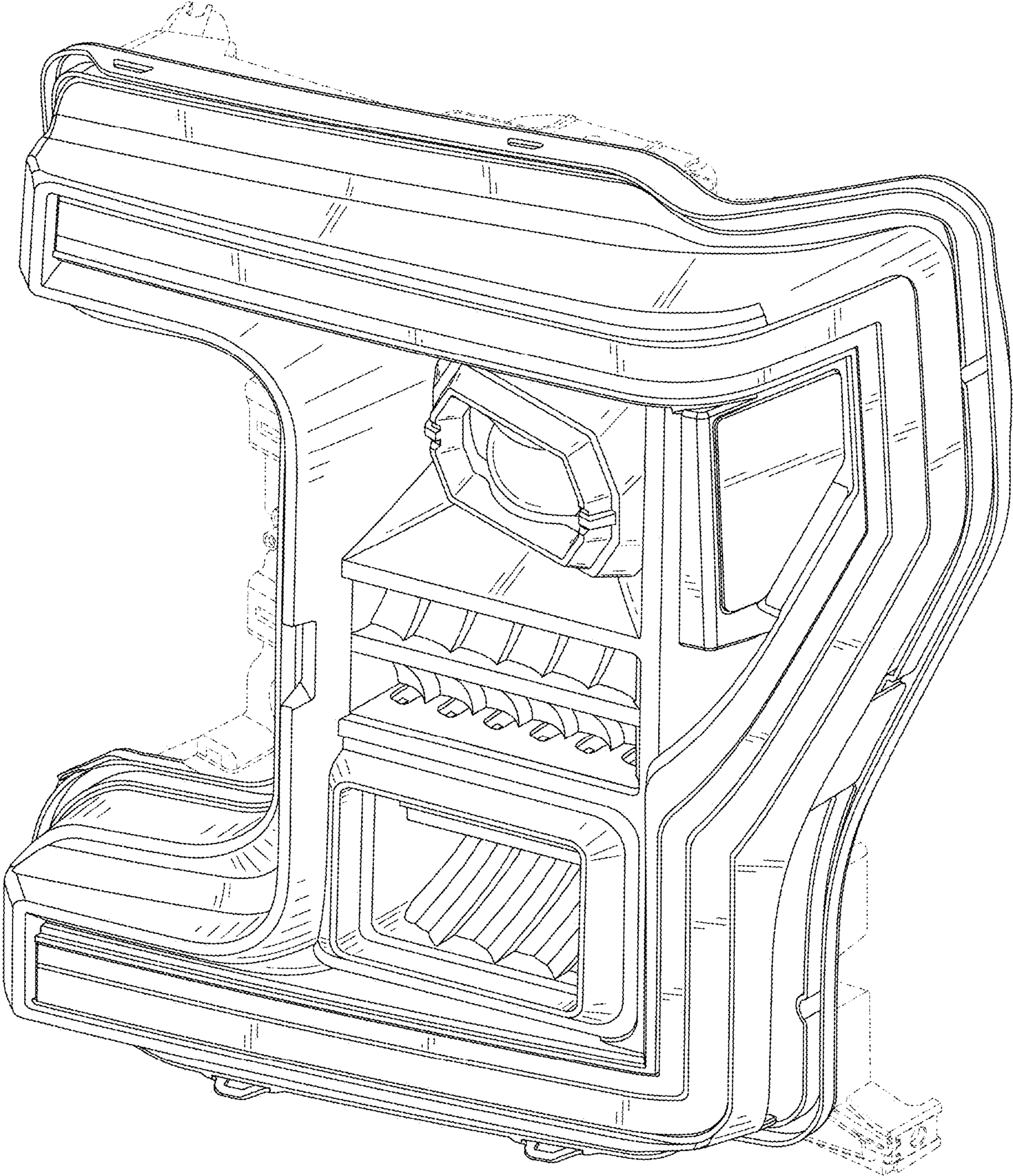


FIG. 1

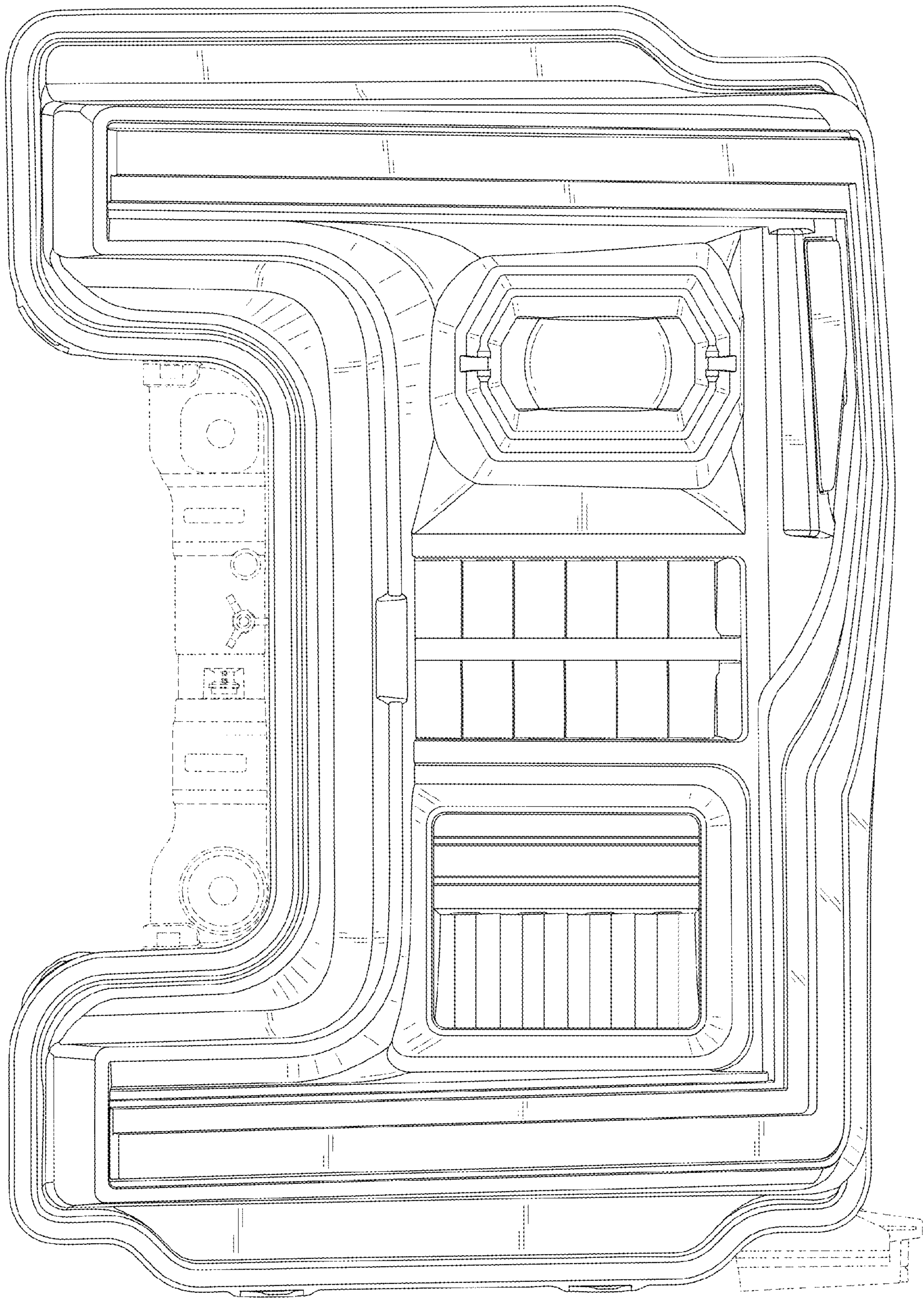


FIG. 2

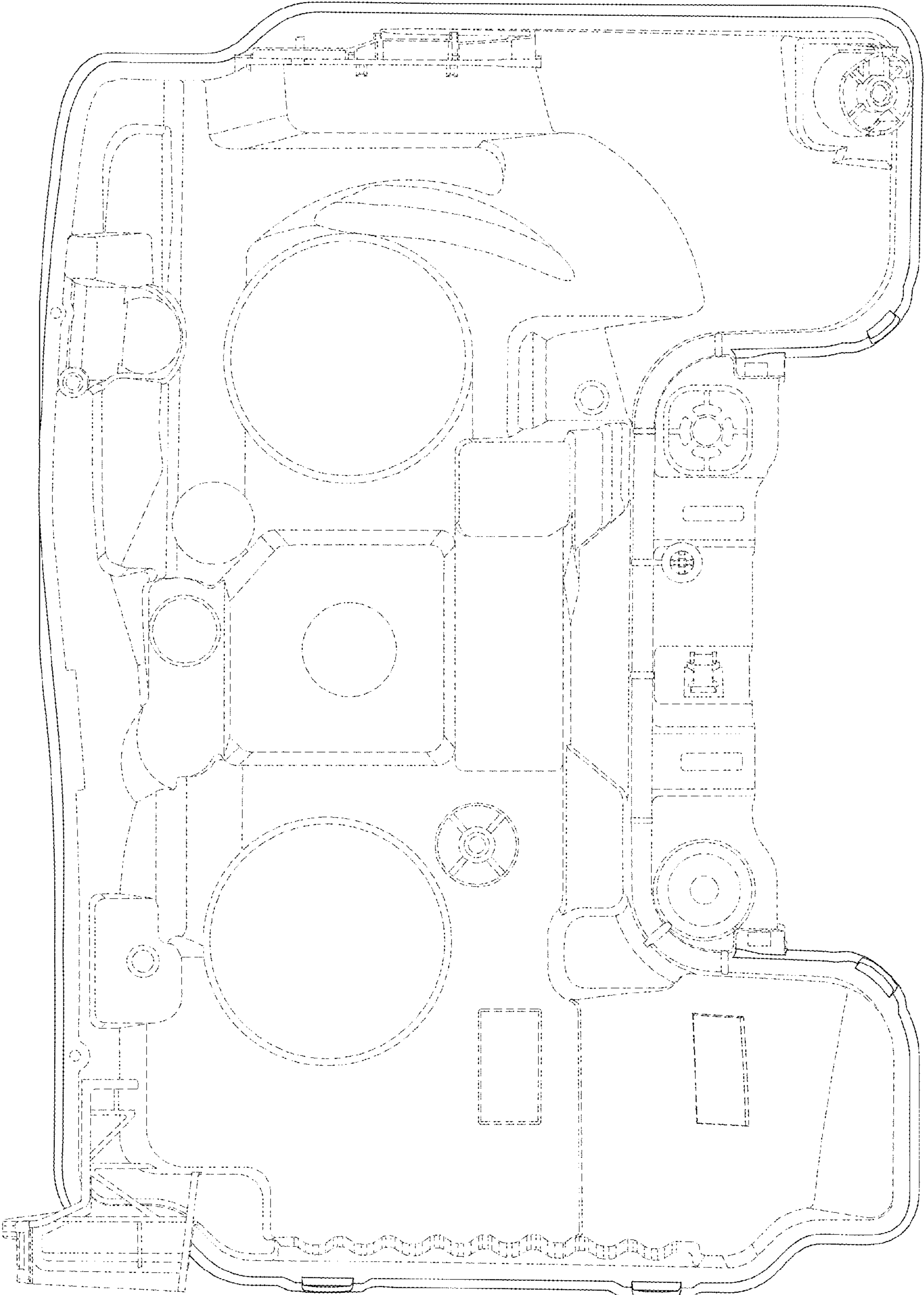


FIG. 3

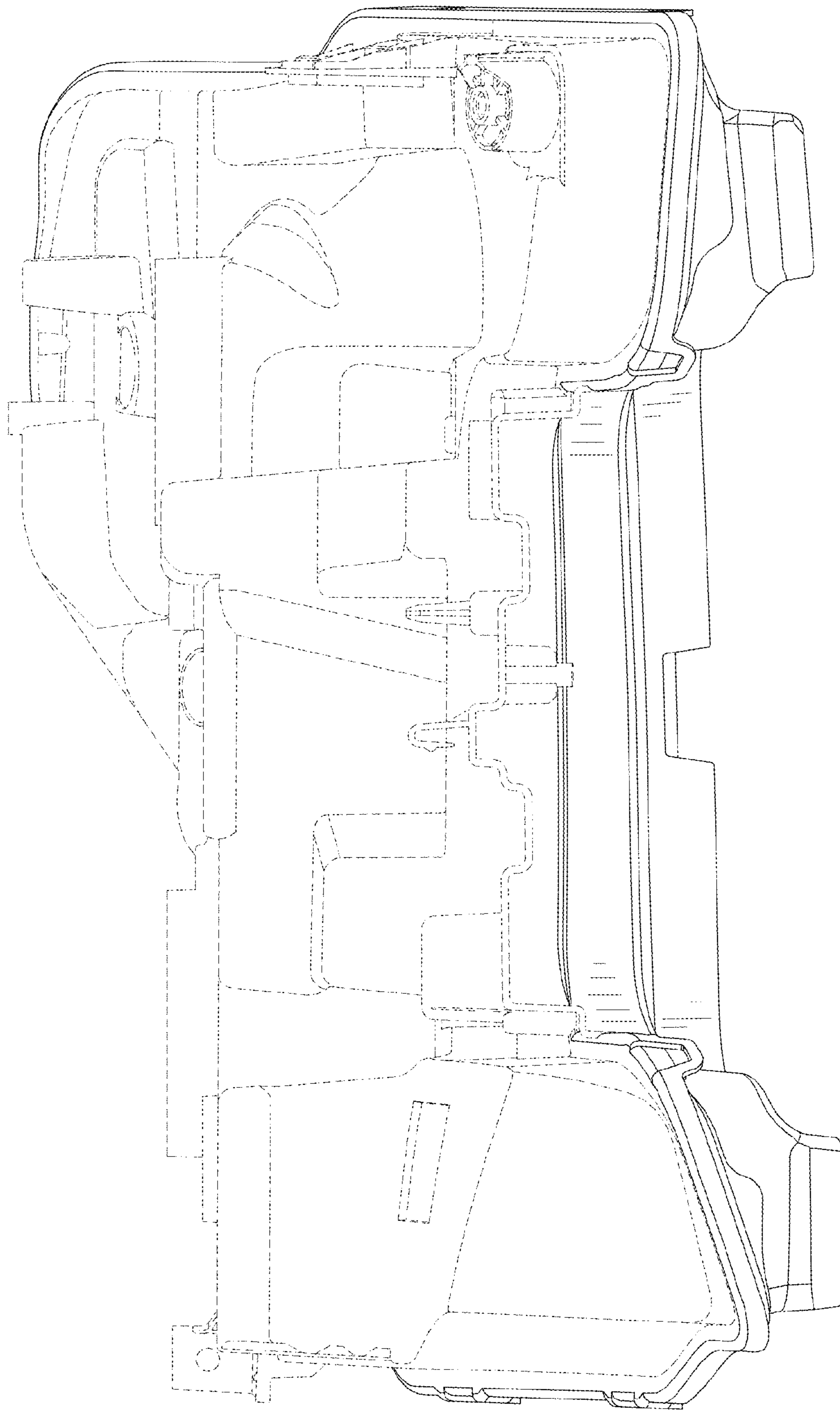


FIG. 4

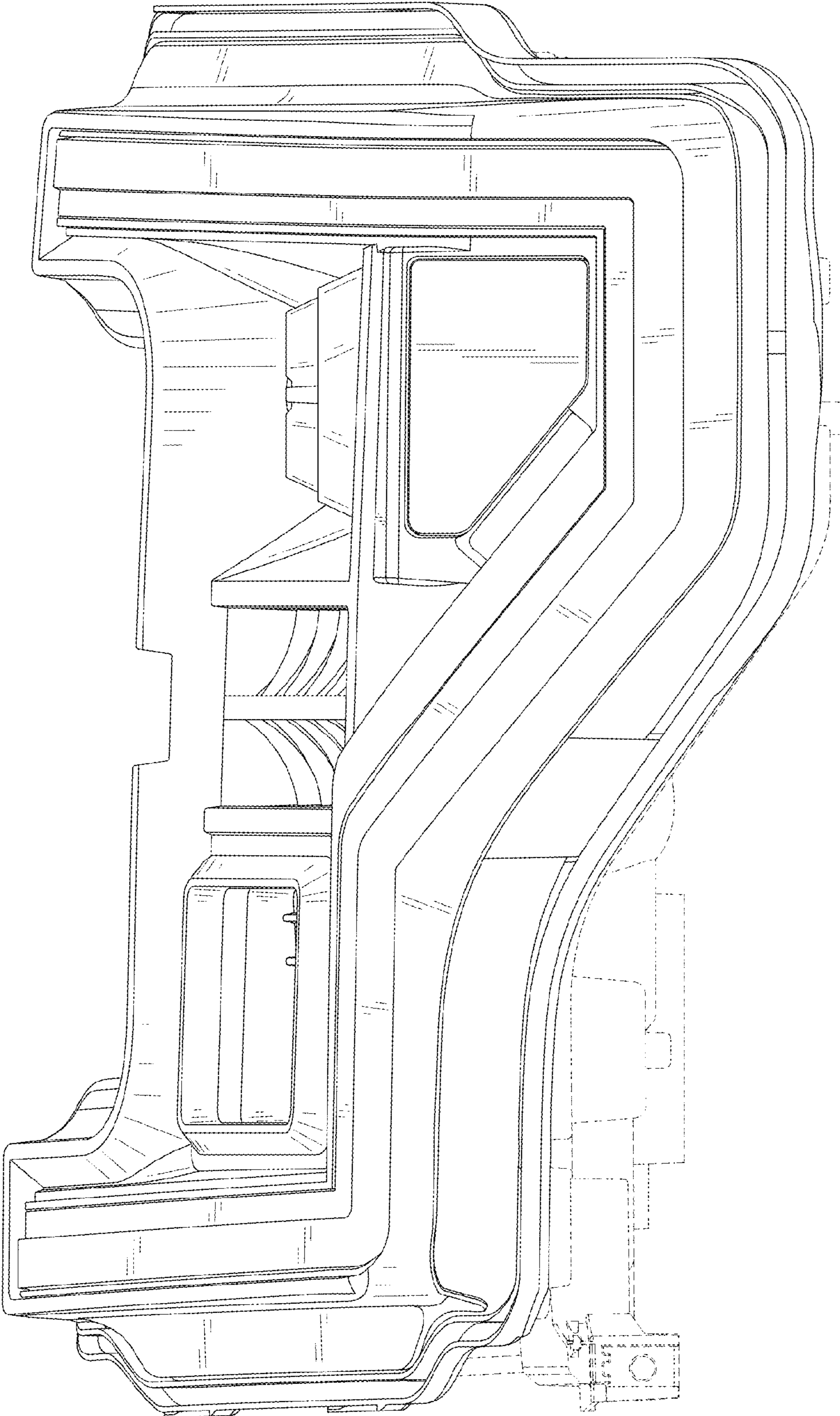


FIG. 5

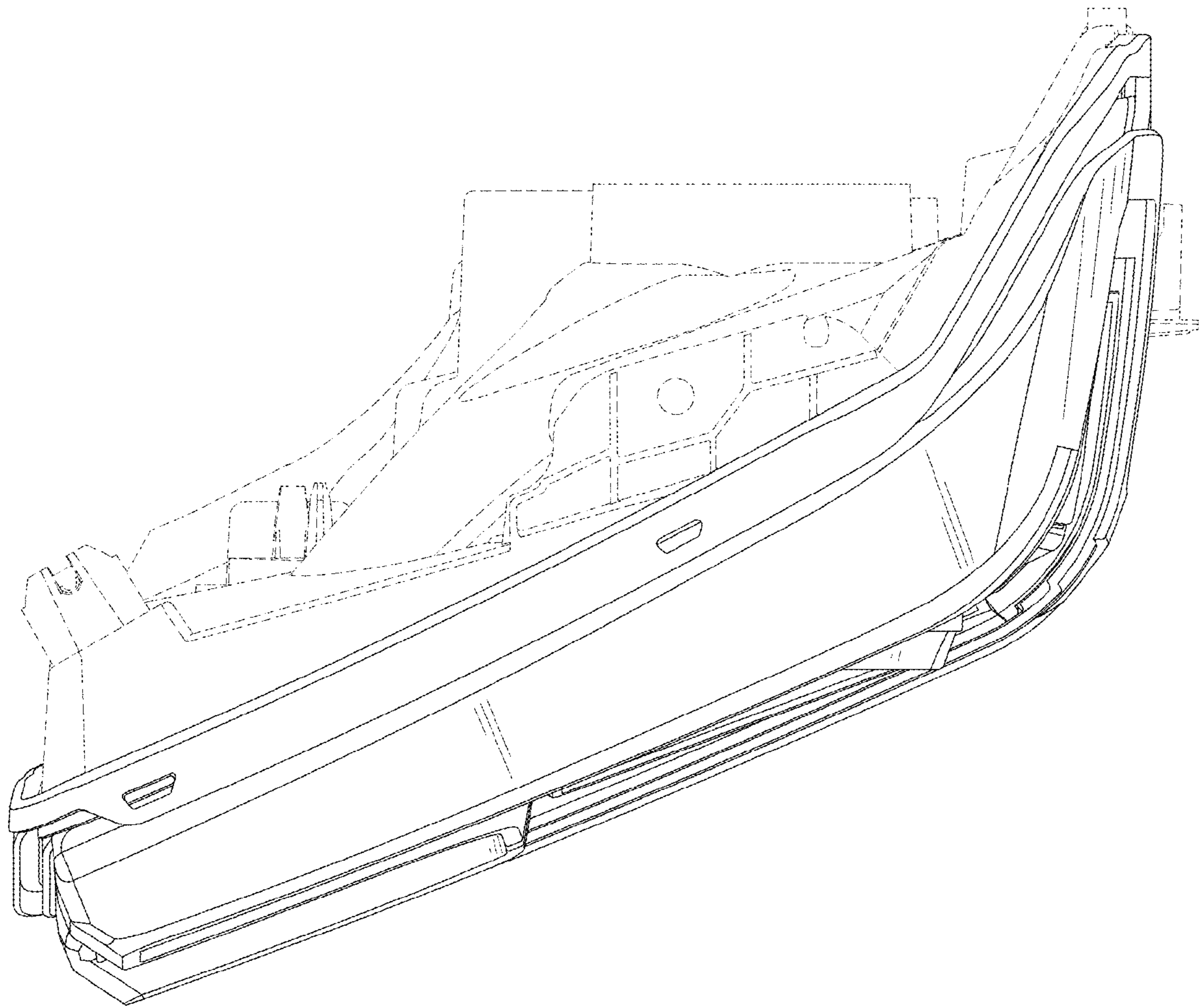


FIG. 6

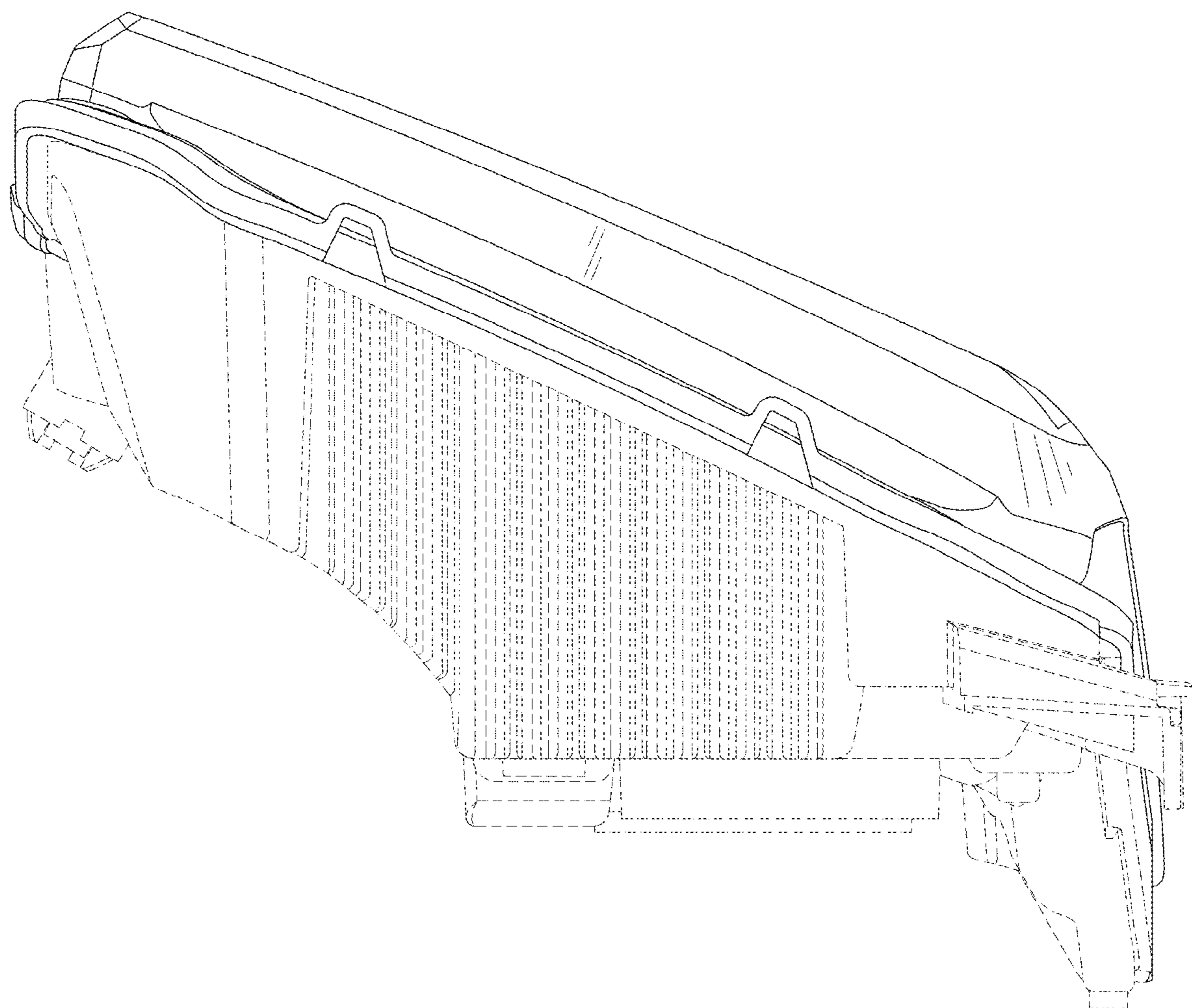


FIG. 7

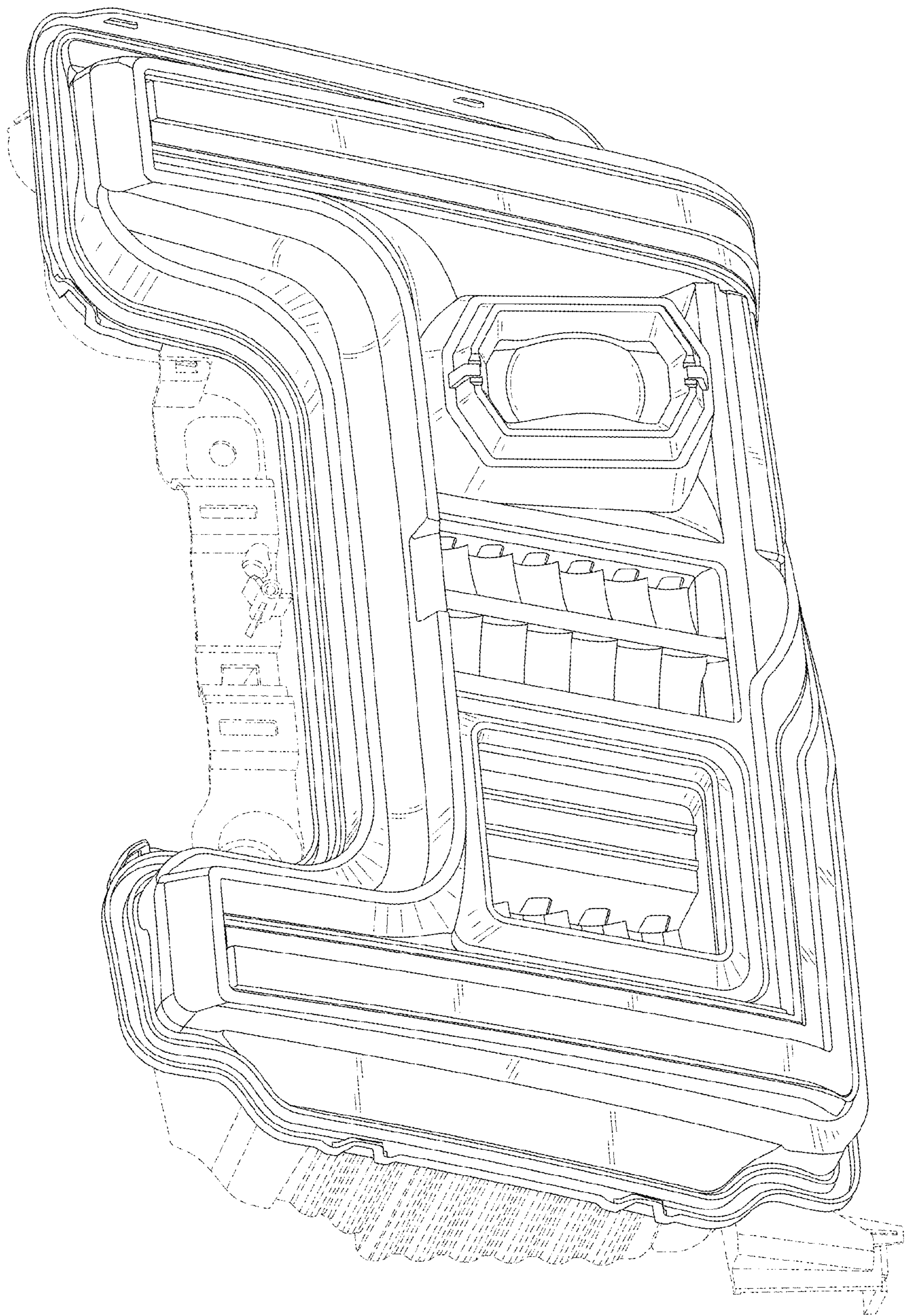


FIG. 8