



US00D977688S

(12) **United States Design Patent** (10) **Patent No.:** **US D977,688 S**
Miller et al. (45) **Date of Patent:** **** Feb. 7, 2023**

(54) **LANDSCAPE EDGING**

(71) Applicant: **LTR Products, LLC**, Pittsburgh, PA
(US)

(72) Inventors: **Cindy Miller**, St. Louis, MO (US);
Michael Sebastian, St. Louis, MO (US)

(73) Assignee: **LTR Products, LLC**, Pittsburgh, PA
(US)

(**) Term: **15 Years**

(21) Appl. No.: **29/712,063**

(22) Filed: **Nov. 5, 2019**

(51) **LOC (14) Cl.** **25-01**

(52) **U.S. Cl.**
USPC **D25/164**

(58) **Field of Classification Search**
USPC D25/102, 119-123, 136-137, 164, 199
CPC A01G 9/28; F16B 7/04; Y10S 30/05
See application file for complete search history.

(56) **References Cited**

U.S. PATENT DOCUMENTS

D315,026 S * 2/1991 Castonguay D25/164
D344,810 S * 3/1994 Nelson D25/164

D455,504 S * 4/2002 Foster D25/164
D649,268 S * 11/2011 Wink D25/164
D654,191 S * 2/2012 Wink D25/164
D735,365 S * 7/2015 Miller D25/164

* cited by examiner

Primary Examiner — Llorellys Martinez

(74) *Attorney, Agent, or Firm* — Stinson LLP

(57) **CLAIM**

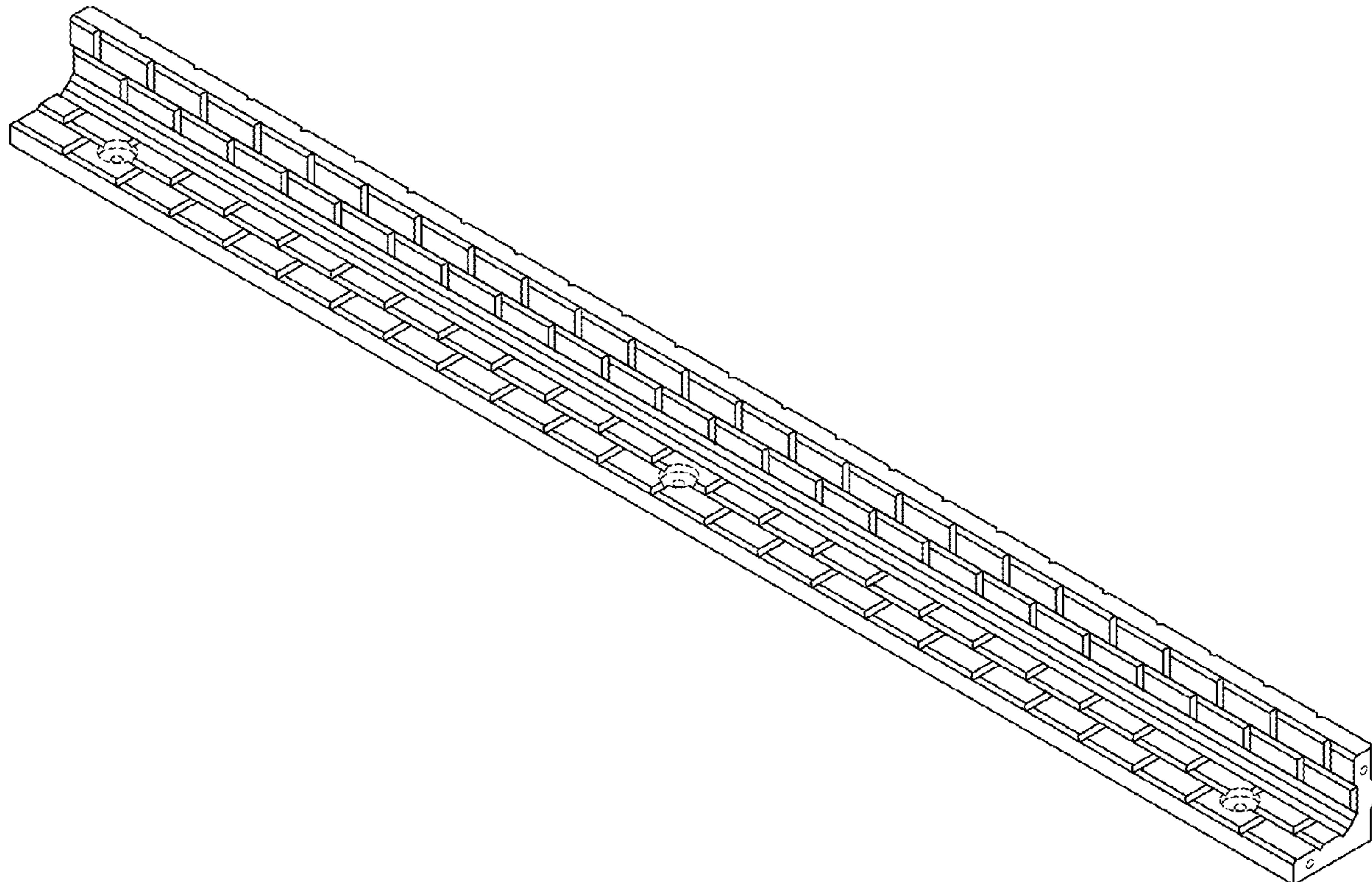
What is claimed is the ornamental design for landscape edging, as shown and described.

DESCRIPTION

FIG. 1 is a front perspective view of a landscape edging showing our new design;
FIG. 2 is a rear perspective view thereof;
FIG. 3 is a front view thereof;
FIG. 4 is a right side view thereof;
FIG. 5 is a top view thereof;
FIG. 6 is a rear view thereof;
FIG. 7 is a left side view thereof; and,
FIG. 8 is a bottom view thereof.

The broken lines in the drawings represent portions of the landscape edging that form no part of the claimed design.

1 Claim, 8 Drawing Sheets



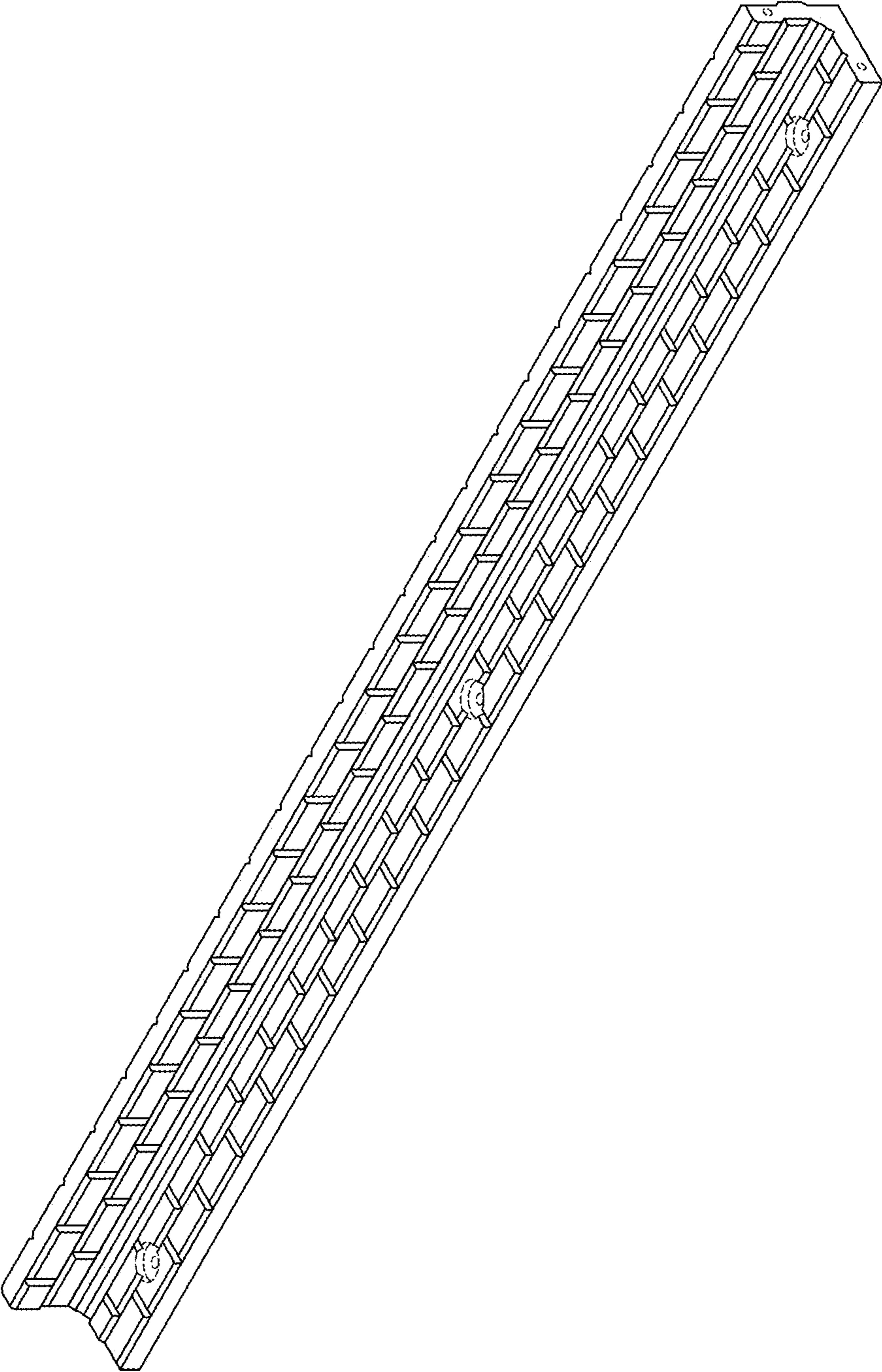


FIG. 1

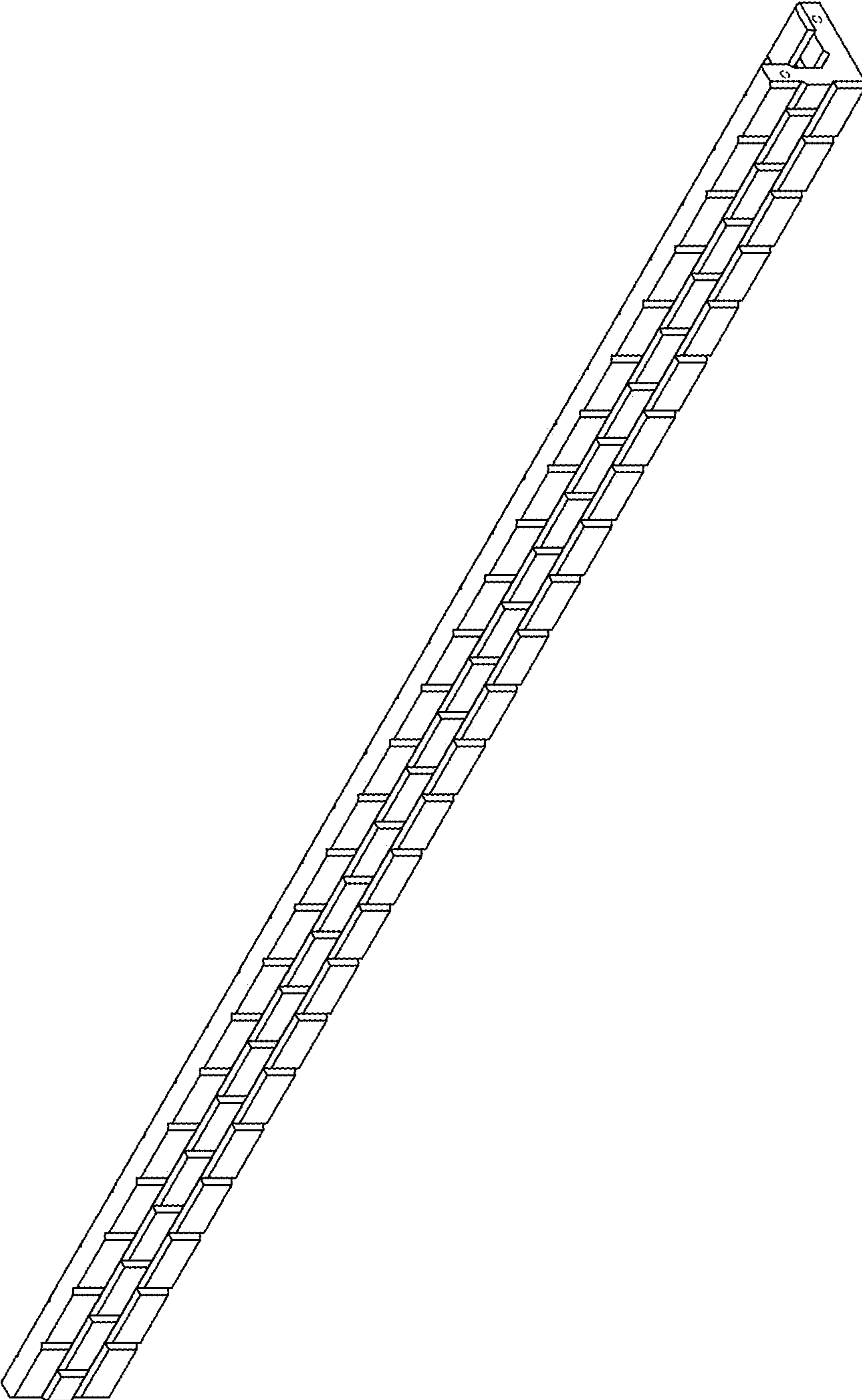


FIG. 2

FIG. 3

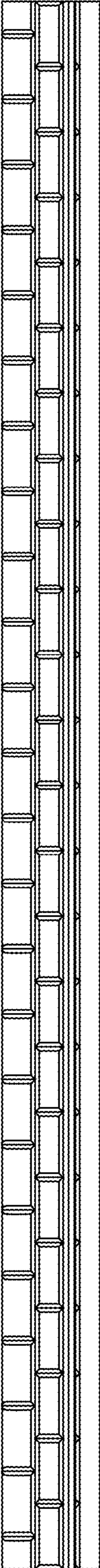


FIG. 4

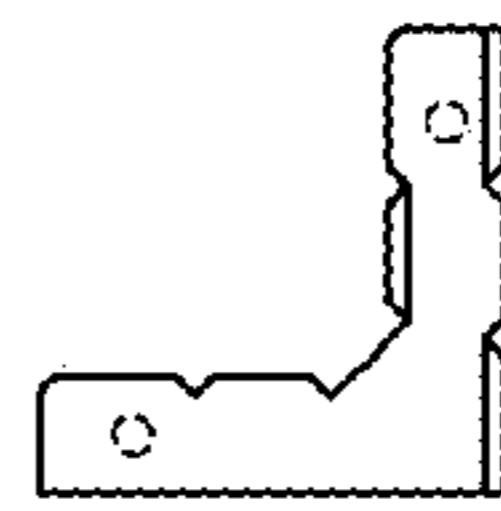


FIG. 5

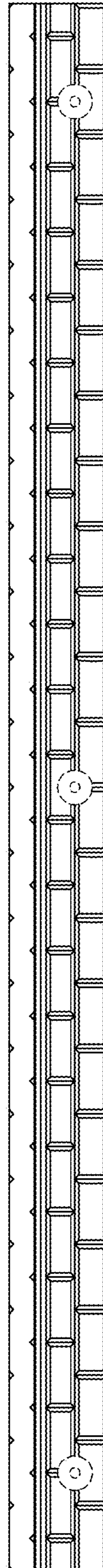


FIG. 6

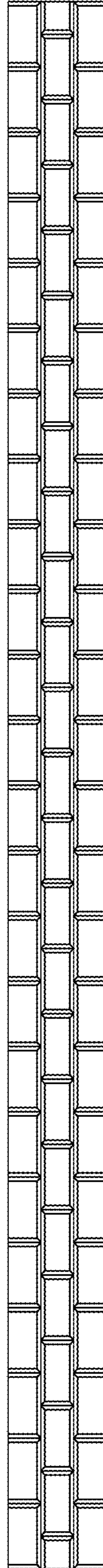


FIG. 7

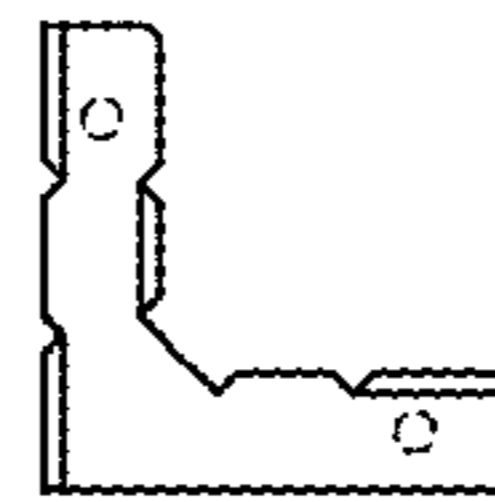


FIG. 8

