



US00D977683S

(12) **United States Design Patent** (10) **Patent No.:** **US D977,683 S**
Rashid (45) **Date of Patent:** **** Feb. 7, 2023**

(54) **ROOF SUPPORT STRAP SYSTEM FOR A ROOF SUPPORT STRUCTURE**

com/us/en-us/catalog/support-systems/dura-blok-rooftop-supports.html (Year: 2022).

(71) Applicant: **Phil Squared Roof Jack Systems LLC**, Highland, MI (US)

(Continued)

(72) Inventor: **Philip F Rashid**, Brighton, MI (US)

Primary Examiner — Samantha Q Lawrence

(73) Assignee: **Phil Squared Roof Jack Systems LLC**, Highland, MI (US)

(74) *Attorney, Agent, or Firm* — North Star IP Law PLLC; Edmund P. Anderson

(**) Term: **15 Years**

(57) **CLAIM**

The ornamental design for a roof support strap system for a roof support structure, as shown and described.

(21) Appl. No.: **29/834,077**

DESCRIPTION

(22) Filed: **Apr. 8, 2022**

Related U.S. Application Data

(62) Division of application No. 29/759,448, filed on Nov. 23, 2020, now Pat. No. Des. 960,396.

The claimed design is suitable for use with all of the Roof Support Structure with Peripheral Support Strap Grooves and/or Support Straps designs disclosed in U.S. Design patent application Ser. No. 29/759,416 filed on Nov. 23, 2020 and U.S. Design patent application Ser. No. 29/759,424 filed on Nov. 23, 2020, the contents of which are incorporated herein by reference in their entirety.

(51) **LOC (14) Cl.** **25-01**

(52) **U.S. Cl.**
USPC **D25/133**

(58) **Field of Classification Search**
USPC D25/119, 125, 126, 127, 128, 129, 130, D25/131, 132, 133, 134, 135, 136
(Continued)

FIG. 1 is a perspective view of an embodiment of a roof support strap system for a roof support structure; FIG. 2 is a top view thereof; FIG. 3 is a bottom view thereof; FIG. 4 is a right side view thereof; FIG. 5 is a left side view thereof; FIG. 6 is a front view thereof; FIG. 7 is a rear view thereof; FIG. 8 is a perspective view of a second embodiment of the roof support strap system for a roof support structure; FIG. 9 is a top view thereof; FIG. 10 is a bottom view thereof; FIG. 11 is a right side view thereof; FIG. 12 is a left side view thereof; FIG. 13 is a front view thereof; and, FIG. 14 is a rear view thereof.

(56) **References Cited**

U.S. PATENT DOCUMENTS

341,950 A 5/1886 Sharpe et al.
1,586,038 A 5/1926 Hall
(Continued)

The roof support strap system for a roof support structure includes a roof support structure disposed within the straps that is illustrated in broken lines to illustrate the environment and that forms no part of the claimed design.

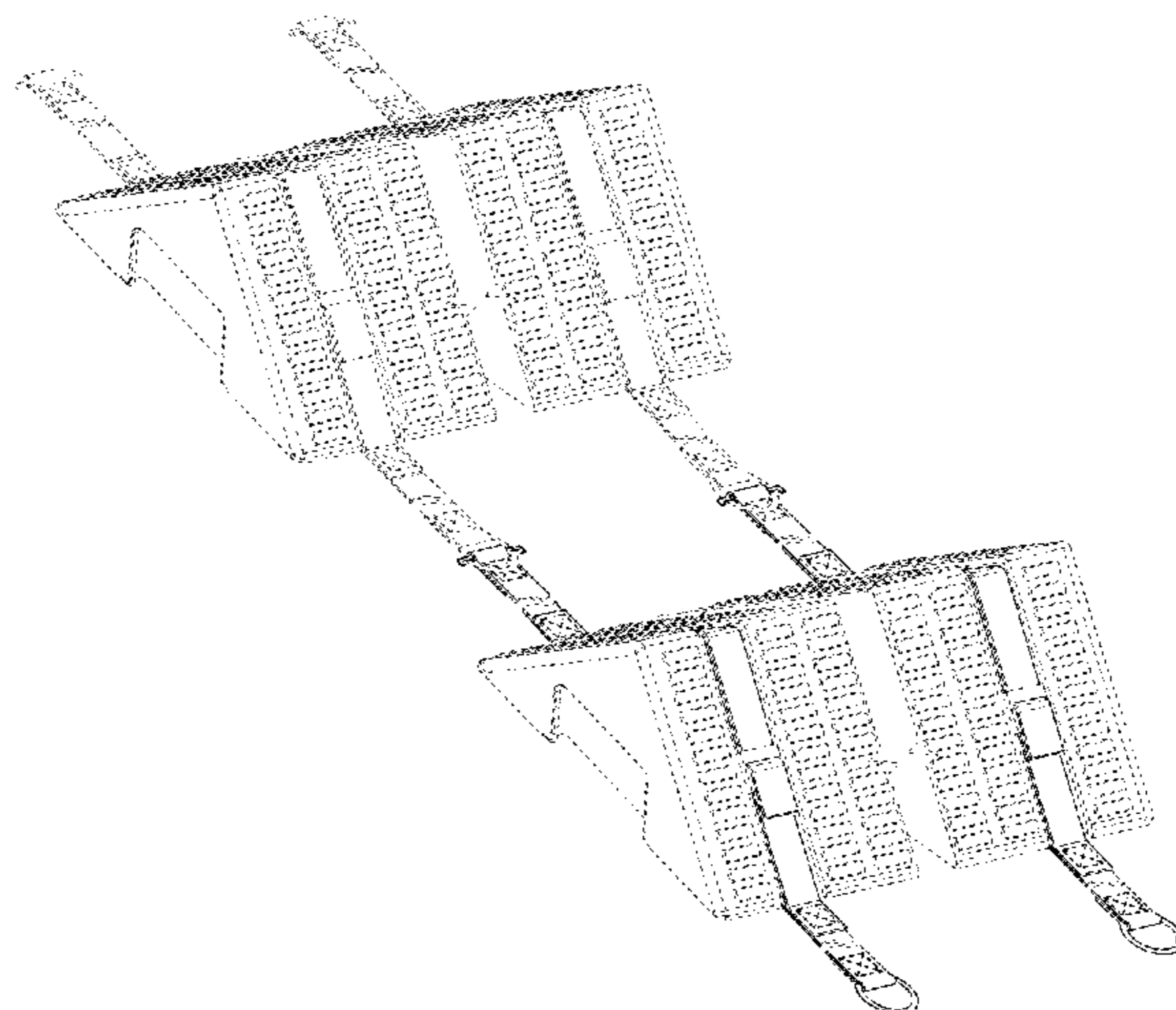
FOREIGN PATENT DOCUMENTS

CA 203678 S 7/2022
CA 203679 S 7/2022
(Continued)

The roof support strap system for a roof support structure includes a plurality of instances of stitching illustrated in
(Continued)

OTHER PUBLICATIONS

Dura-Blok Rooftop Supports, posted (date unavailable) [online], [retrieved Oct. 5, 2022] Retrieved from internet, <https://www.eaton.com/us/en-us/catalog/support-systems/dura-blok-rooftop-supports.html>



broken line as a rectangle with an “X” pattern extending inwardly from the opposed corners of the rectangle, which illustrates the environment and forms no part of the claimed design.

FIGS. 1 and 8 illustrate a second roof support strap system and roof support structure in broken line that is attached to and disposed rearward of the roof support strap system for a roof support structure in order to illustrate the environment. The second roof support strap system and roof support structure in broken line forms no part of the claimed design.

1 Claim, 10 Drawing Sheets

(58) **Field of Classification Search**

CPC E04D 15/02; E04D 15/00; E04D 13/12;
E04G 3/26; E04G 3/265; E04G 21/166;
E04G 3/34; A47B 91/12; A47B 91/024
See application file for complete search history.

(56) **References Cited**

U.S. PATENT DOCUMENTS

D229,330	S	11/1973	Miles	
4,135,335	A	1/1979	Jensen	
4,519,565	A	5/1985	Whitmore	
4,830,320	A	5/1989	Bellows	
5,232,187	A	8/1993	O’Farrell et al.	
5,263,551	A	11/1993	Andersen	
5,715,910	A	2/1998	Koch et al.	
5,842,746	A *	12/1998	Rogers	A47C 31/10 297/219.1
5,887,406	A	3/1999	Bond	
5,943,839	A	8/1999	Miller	
D425,440	S	5/2000	Franklin	
6,170,222	B1	1/2001	Miller	
D461,138	S	8/2002	Spiller	
6,513,625	B1 *	2/2003	Gaskins	E06C 7/488 182/206
6,622,960	B2	9/2003	Hyde	
D596,812	S	7/2009	Sicken et al.	
8,104,575	B1	1/2012	Bancroft	
8,448,746	B2	5/2013	Davis	
9,145,687	B1	9/2015	Bancroft	
D743,628	S	11/2015	Millington	
D762,306	S	7/2016	Torres et al.	
9,834,937	B2	12/2017	Warner	
D809,799	S	2/2018	Pietruszewski et al.	
D821,959	S	7/2018	Baker	
10,206,511	B2	2/2019	Peters	

10,550,588	B2 *	2/2020	Smith	E04G 21/166
10,662,707	B2	5/2020	Koeman	
D892,193	S *	8/2020	Masuda	D16/208
10,844,616	B2	11/2020	Rashid et al.	
D920,881	S	6/2021	Sheehan	
D942,051	S	1/2022	Andreu	
D948,753	S *	4/2022	Rashid	D25/133
D948,754	S *	4/2022	Rashid	D25/133
D970,051	S	4/2022	Rashid	
D970,052	S	4/2022	Rashid	
D960,396	S *	8/2022	Rashid	D25/133
2003/0037990	A1 *	2/2003	Testa, Jr.	E06C 1/52 248/237
2004/0144815	A1	7/2004	Reid	
2004/0221524	A1	11/2004	Poddany et al.	
2004/0262467	A1	12/2004	Burr	
2005/0097836	A1	5/2005	Krovats	
2006/0000180	A1	1/2006	Blais et al.	
2006/0226310	A1	10/2006	Hall et al.	
2007/0022676	A1	2/2007	Krovats	
2007/0069088	A1	3/2007	Bidiville et al.	
2009/0151039	A1	6/2009	Kielland	
2009/0249740	A1	10/2009	Crookston	
2010/0127002	A1	5/2010	Bel	
2012/0080264	A1	4/2012	Lord	
2012/0085590	A1	4/2012	Davis	
2014/0116804	A1	5/2014	Bancroft	
2015/0021452	A1	1/2015	Bourbonnais	
2018/0334814	A1	11/2018	Rashid et al.	
2019/0218799	A1	7/2019	Smith et al.	
2020/0370315	A1	11/2020	Pollock	
2021/0087836	A1	3/2021	Rashid et al.	
2021/0180342	A1	6/2021	Rashid et al.	
2021/0388619	A1	12/2021	Pollock	
2022/0282502	A1	9/2022	Rashid et al.	

FOREIGN PATENT DOCUMENTS

CA	203680	S	7/2022
CA	203681	S	7/2022
CA	203682	S	7/2022
EP	0710457	A2	5/1996
FR	2964985	A1	3/2012
WO	2022164619	A1	8/2022
WO	2022186900	A1	9/2022

OTHER PUBLICATIONS

HighcraftSTC-10T Rooftop Pipe Support Block . . . , posted Mar. 11, 2020 [online], [retrieved Oct. 5, 2022], Retrieved from internet, https://www.amazon.com/Highcraft-STC-10T-Galvanized-Replacement-lb-capacity/dp/B085SVFVH/6/ref=sr_1_3? (Year: 2020).

* cited by examiner

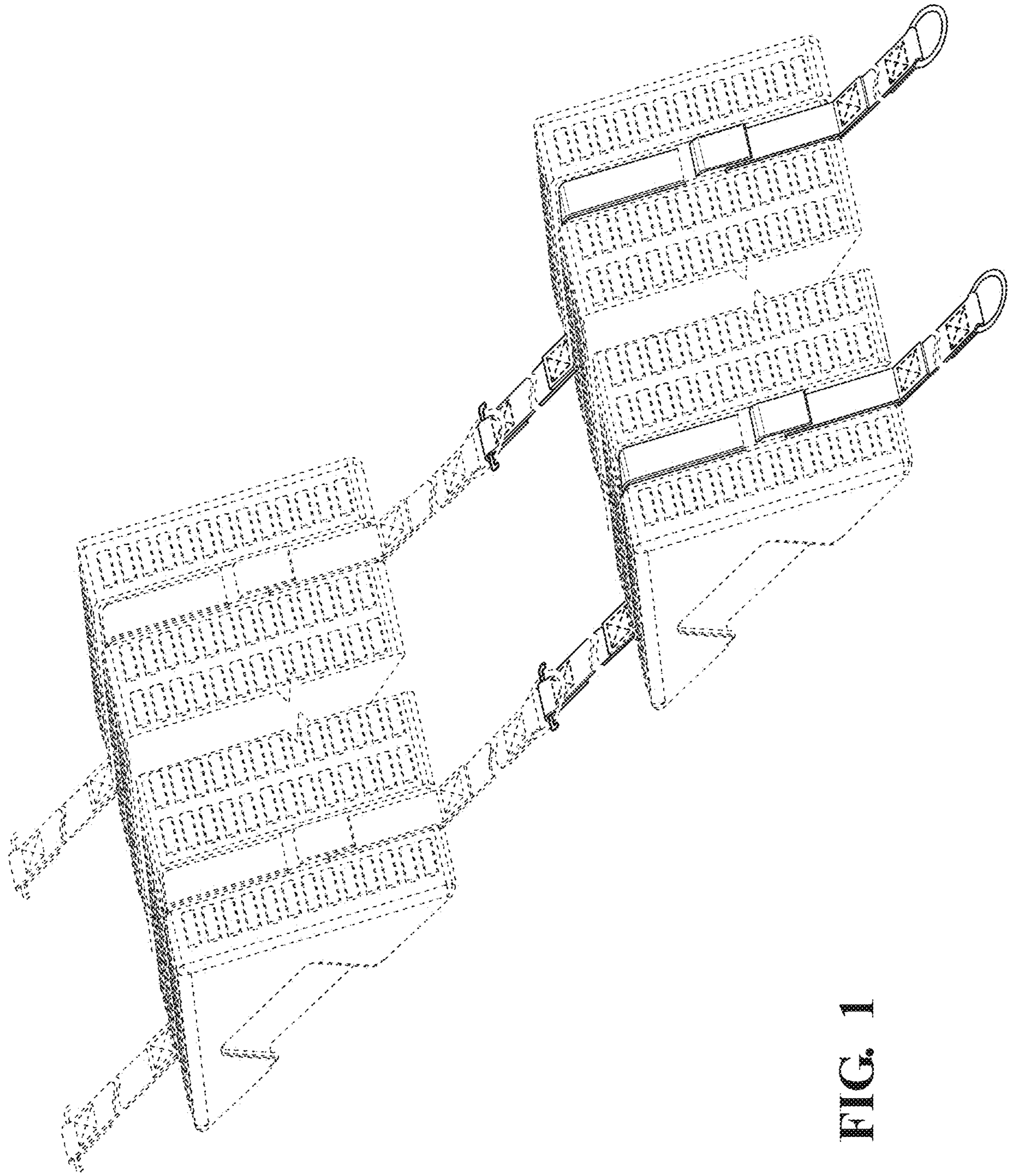


FIG. 1

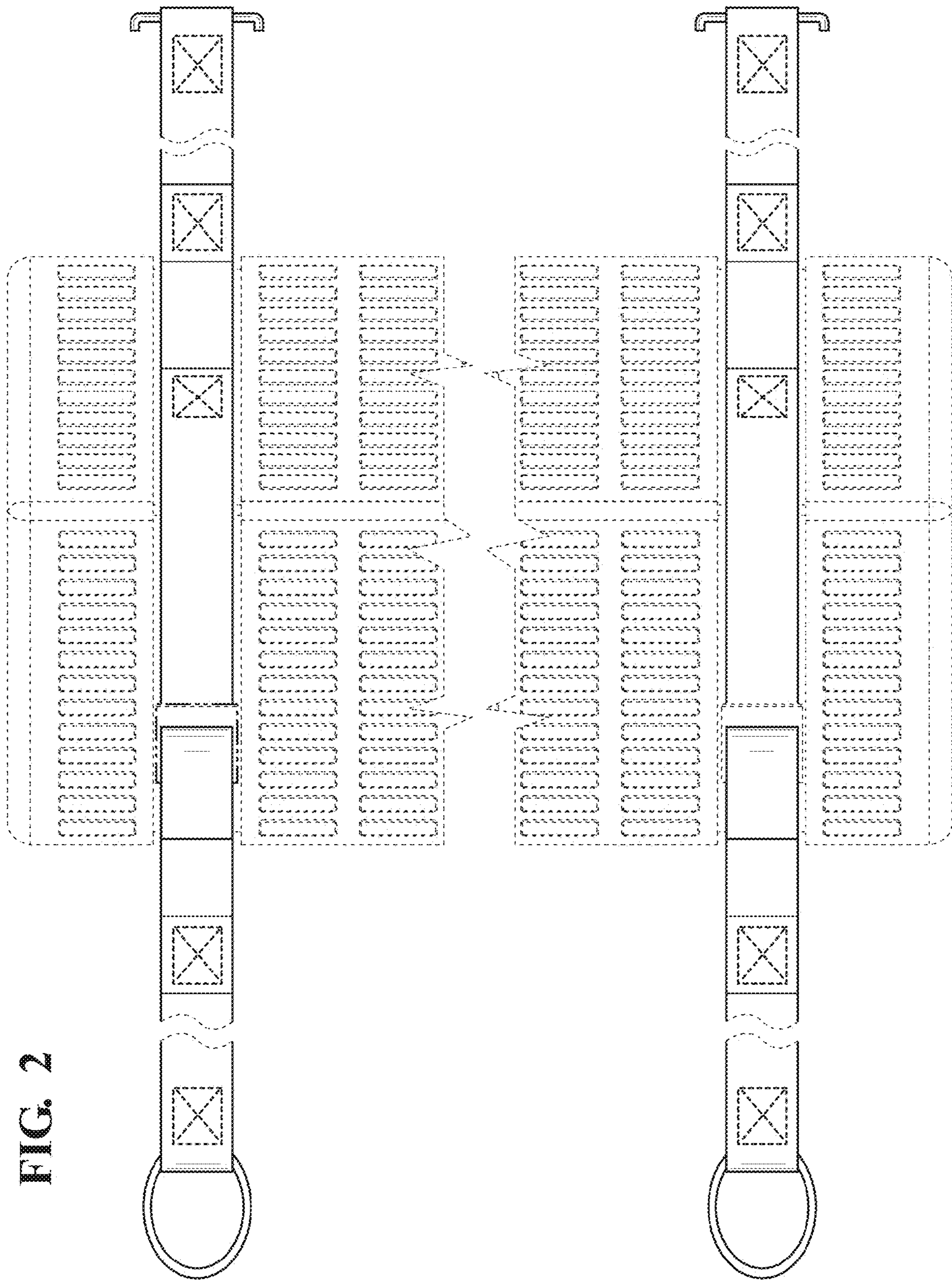


FIG. 2

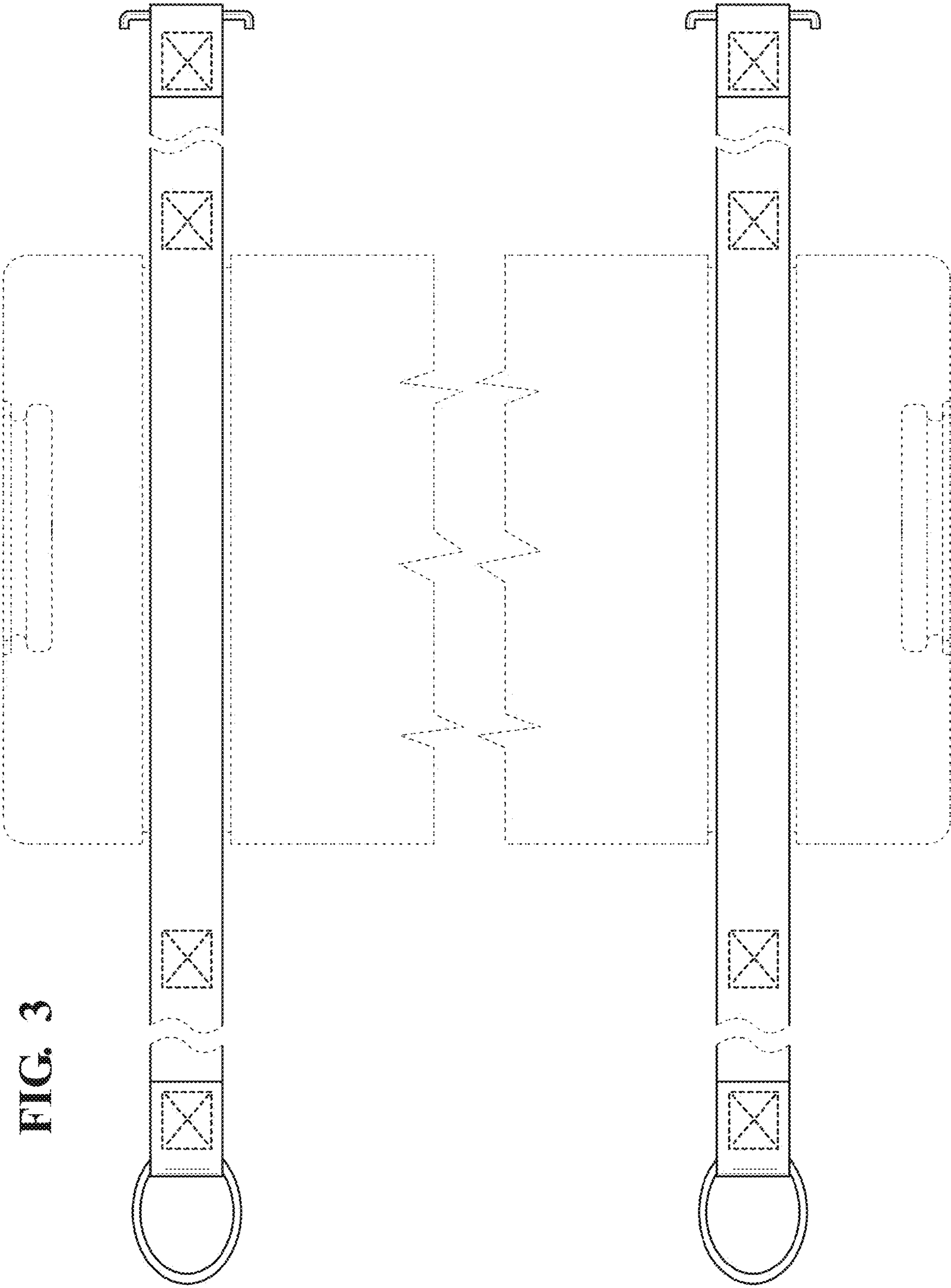


FIG. 3

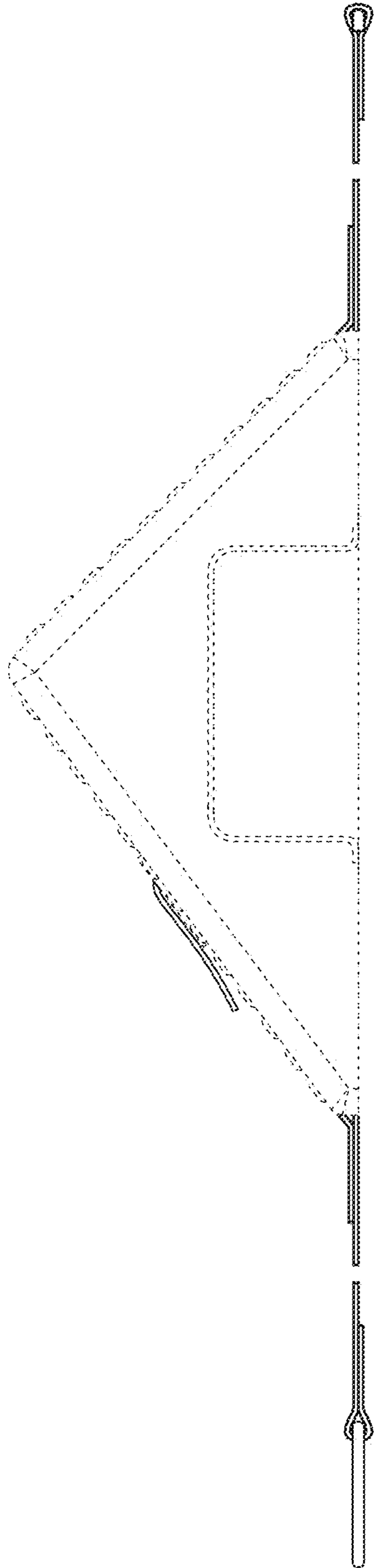


FIG. 4

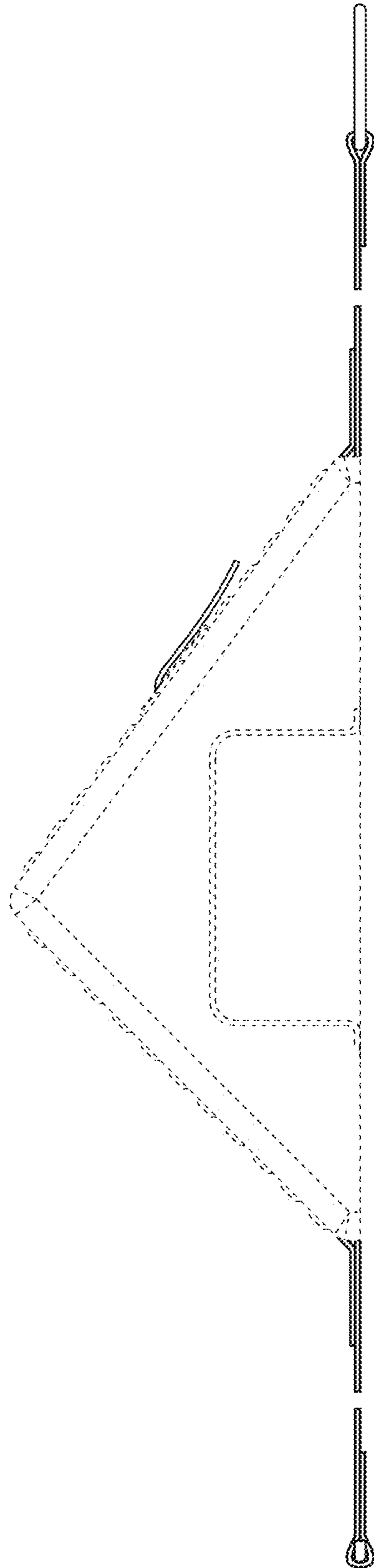


FIG. 5

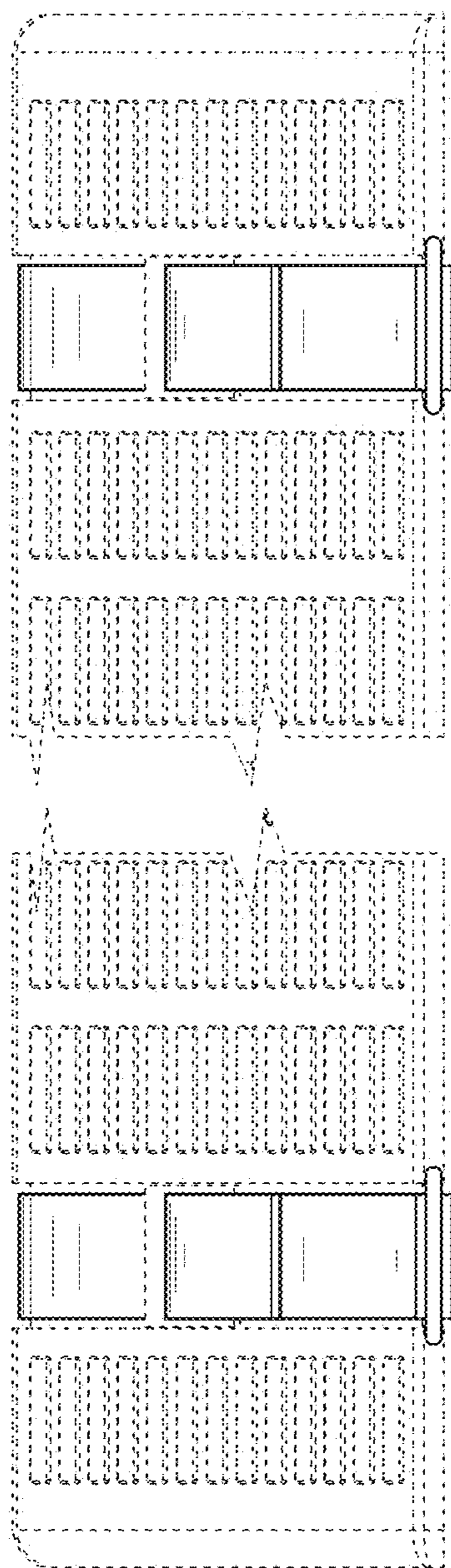


FIG. 6

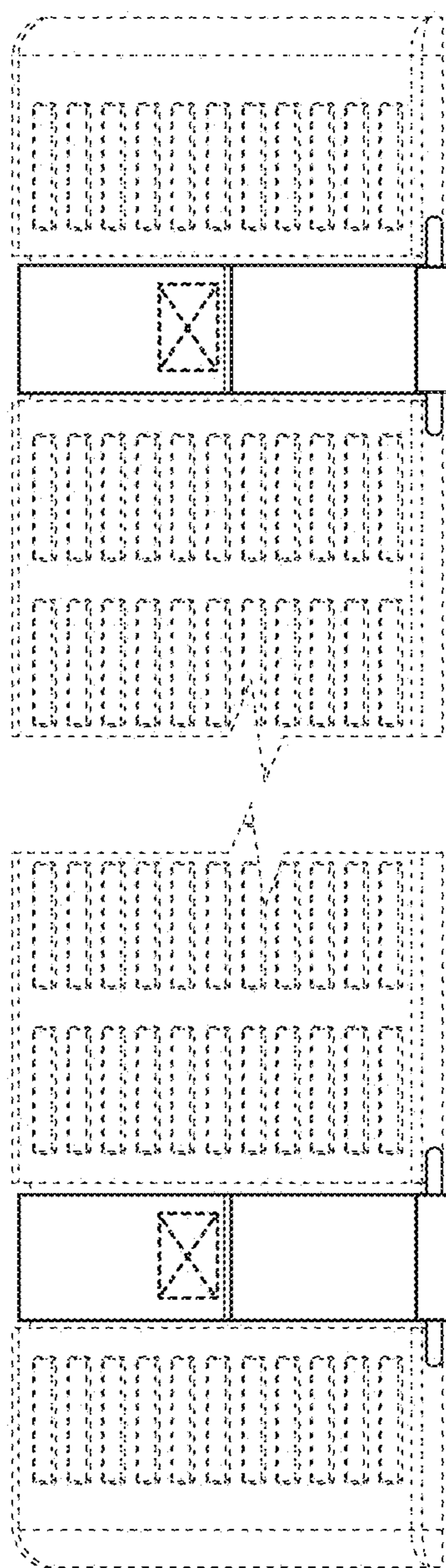


FIG. 7

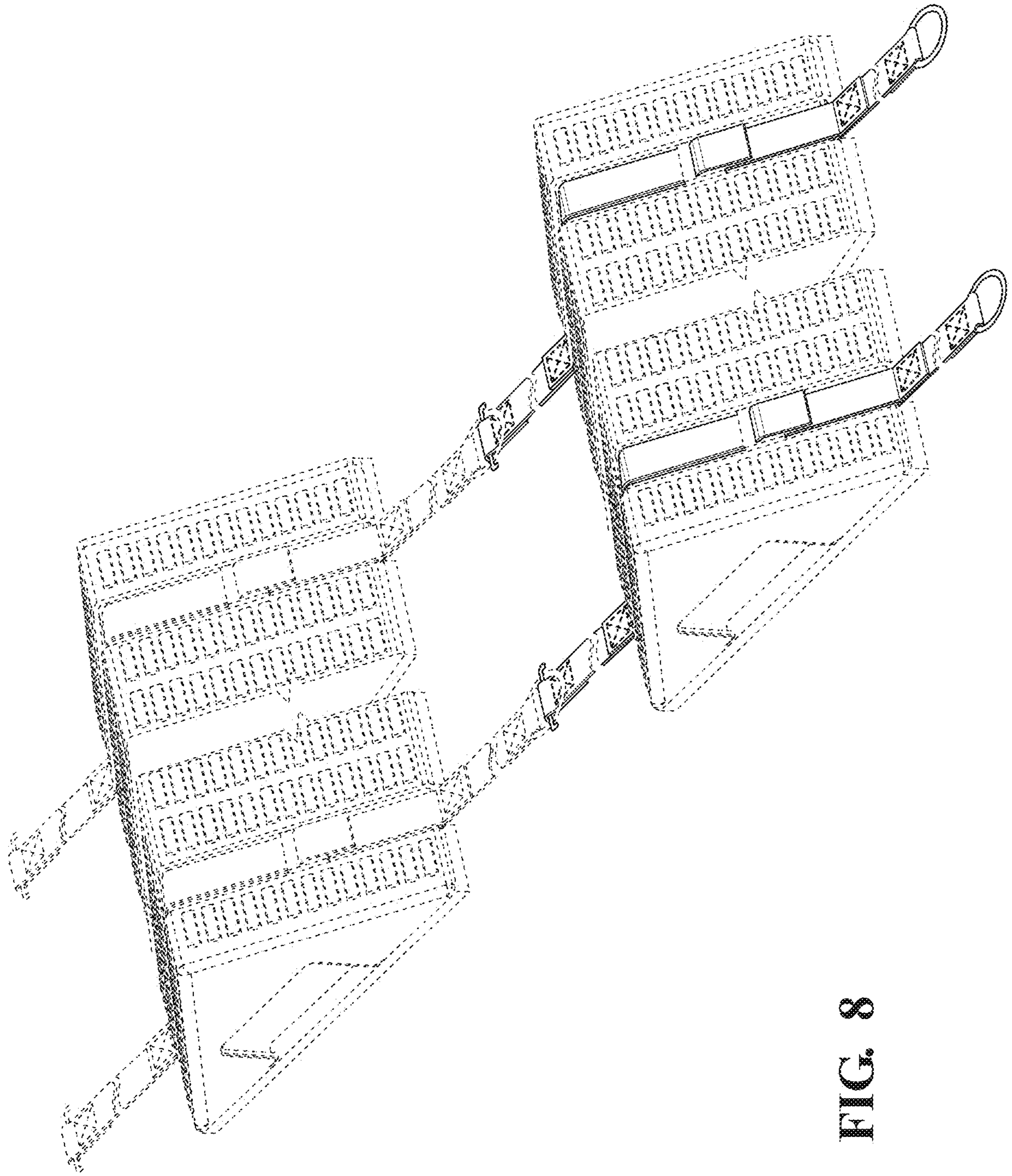


FIG. 8

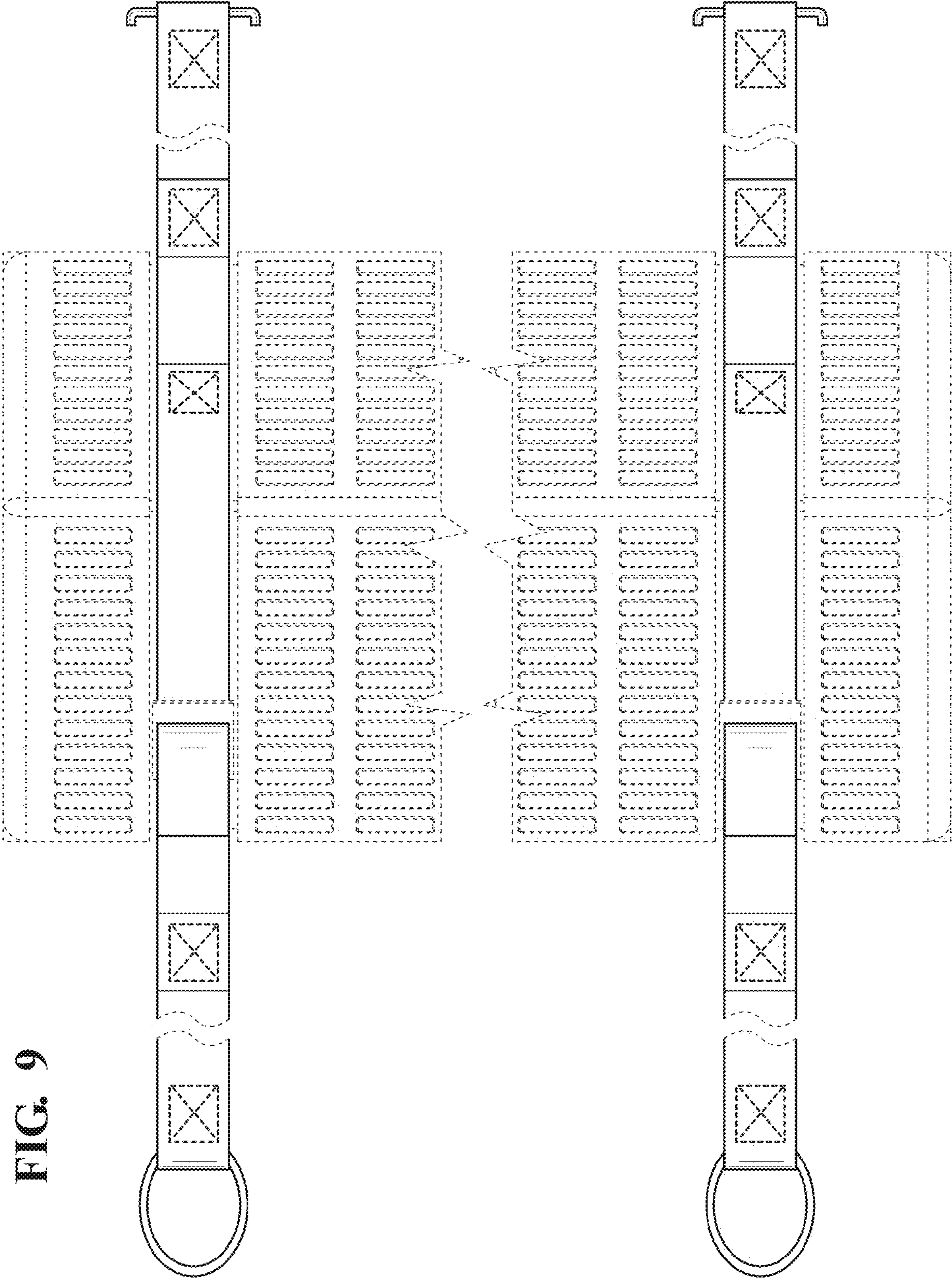


FIG. 9

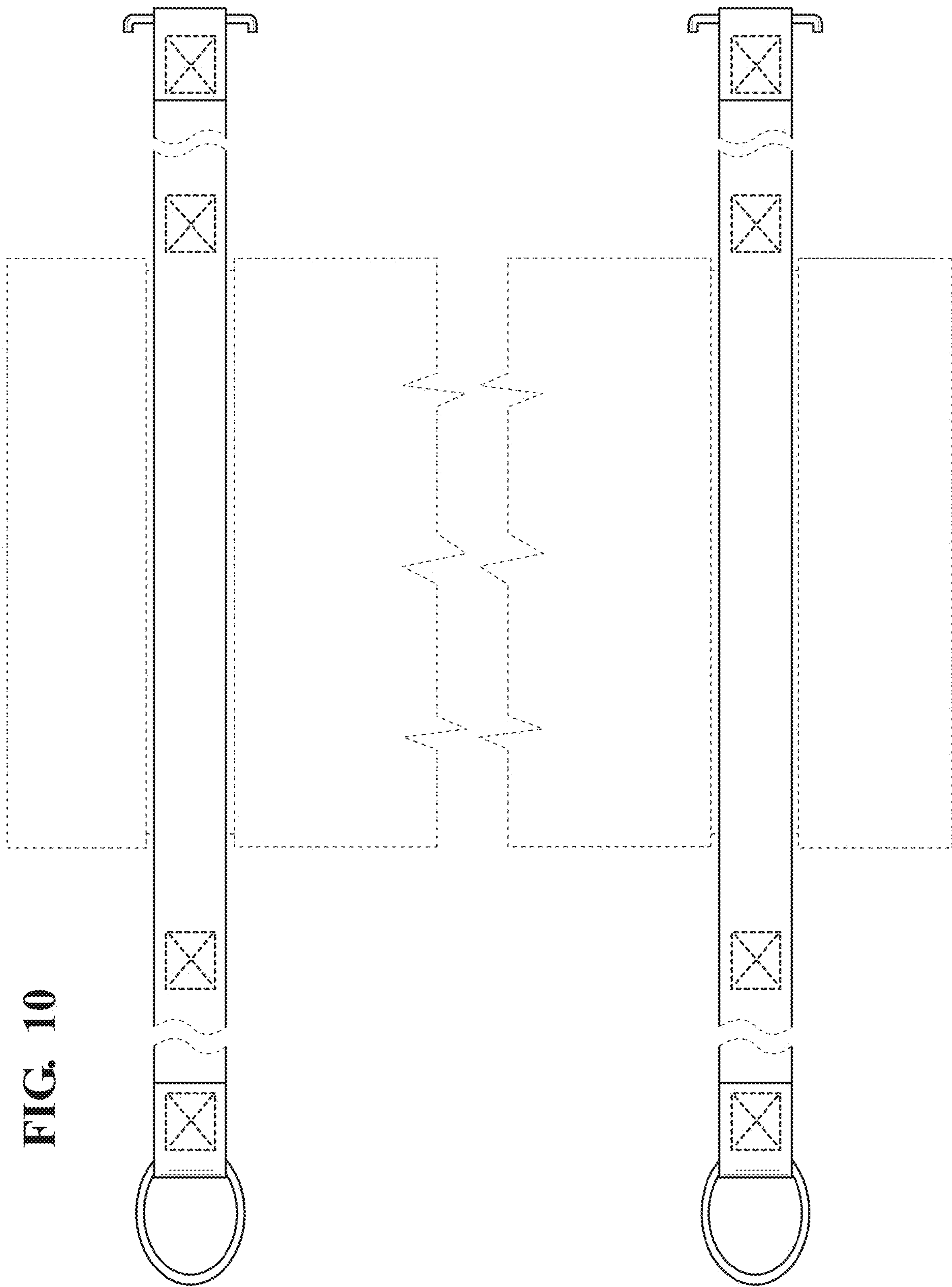


FIG. 10

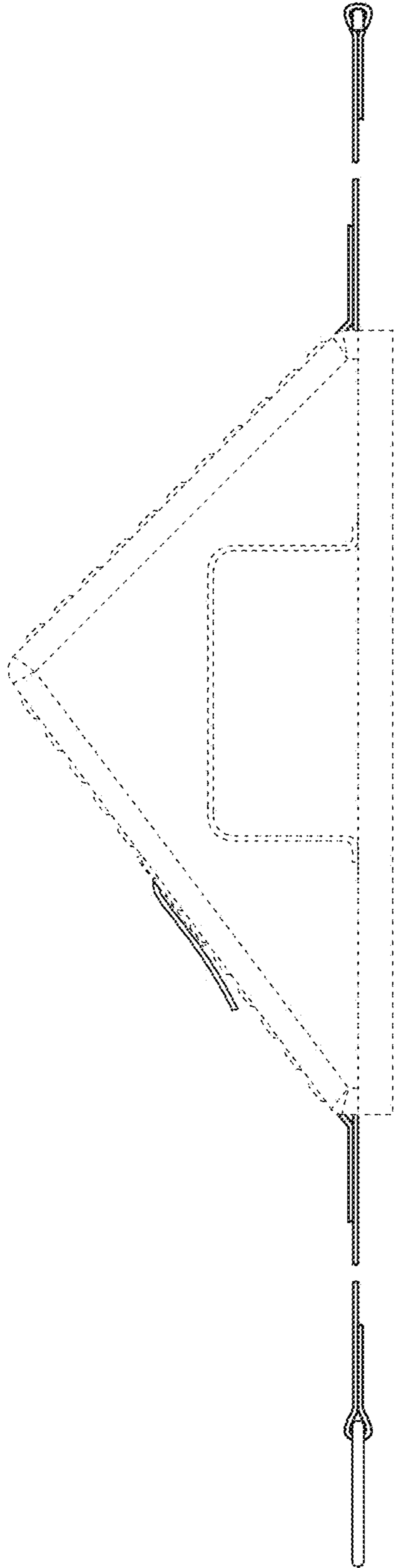


FIG. 11

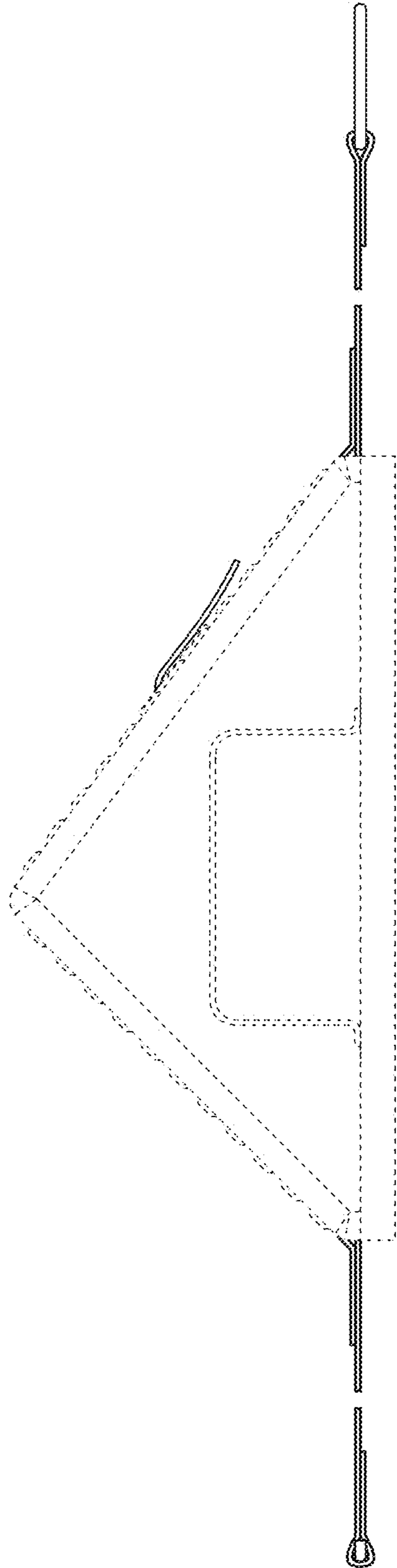


FIG. 12

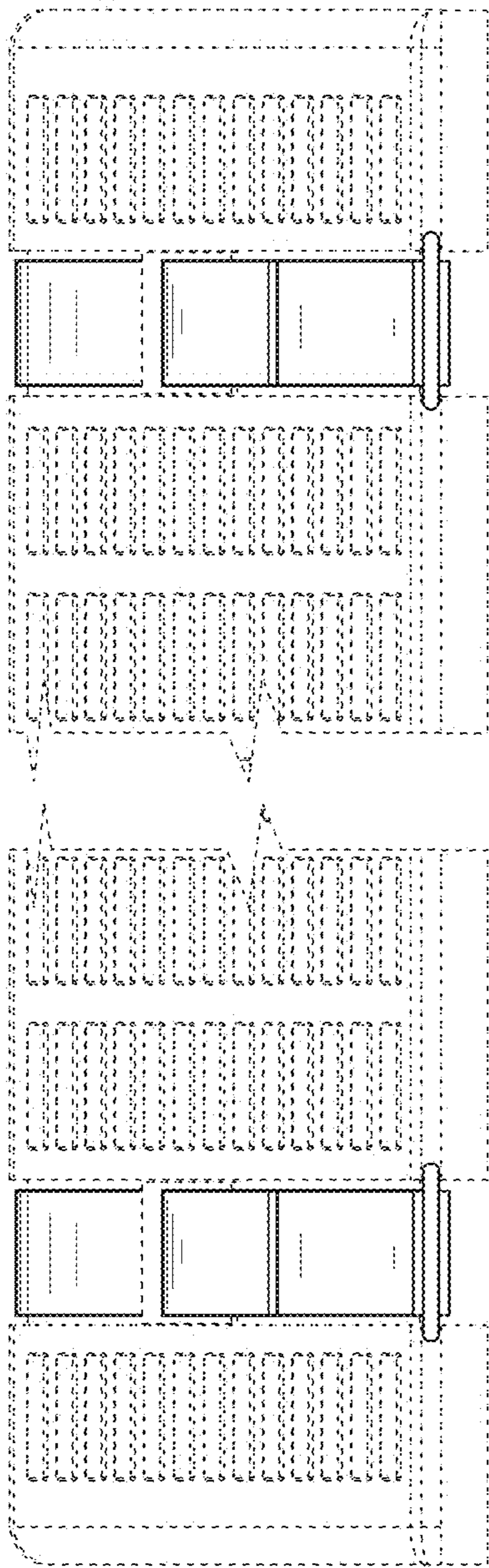


FIG. 13

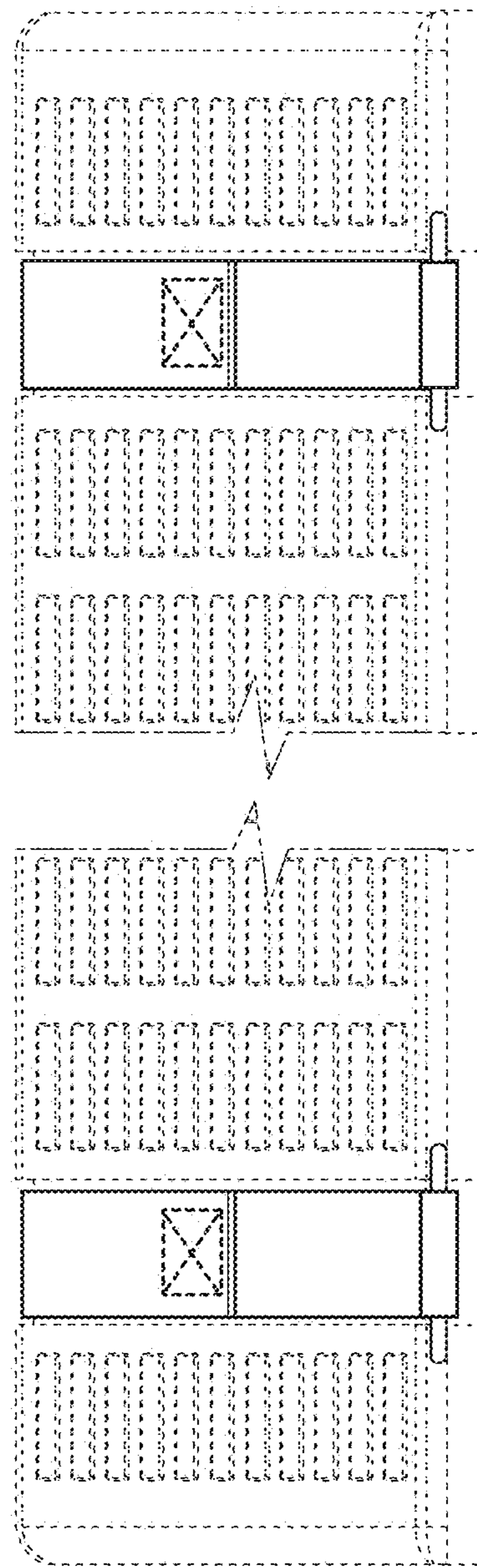


FIG. 14