



US00D977679S

(12) **United States Design Patent** (10) **Patent No.:** **US D977,679 S**
Fan et al. (45) **Date of Patent:** **** Feb. 7, 2023**

(54) **BABY SAFETY GATE**
(71) Applicant: **Shenzhen Lutejiacheng Technology Co., Ltd.**, Shenzhen (CN)
(72) Inventors: **Mingfeng Fan**, Shenzhen (CN); **Ruibin Gao**, Shenzhen (CN)
(73) Assignee: **SHENZHEN LUTEJIACHENG TECHNOLOGY CO., LTD.**, Shenzhen (CN)
(**) Term: **15 Years**
(21) Appl. No.: **29/775,292**
(22) Filed: **Mar. 23, 2021**
(30) **Foreign Application Priority Data**
Dec. 4, 2020 (CN) 202030746490.6
(51) **LOC (14) Cl.** **25-02**
(52) **U.S. Cl.**
USPC **D25/48.5**
(58) **Field of Classification Search**
USPC D25/38.1, 39, 48.1, 48.4, 48.5, 48.8
CPC E06B 9/08; E06B 9/60; E06B 9/80; E06B 2009/002; E06B 11/027; E06B 11/04
See application file for complete search history.

(56) **References Cited**
U.S. PATENT DOCUMENTS
D620,129 S * 7/2010 Lundh D25/48.5
D621,957 S * 8/2010 Lundh D25/48.5
8,191,604 B2 * 6/2012 Wang E06B 9/0692
160/293.1
D666,307 S * 8/2012 Lundh D25/48.1
9,598,896 B1 * 3/2017 Pichik E06B 9/60
D927,016 S * 8/2021 Su D25/48.5
D929,609 S * 8/2021 Su D25/48.5
D941,494 S * 1/2022 Su D25/48.4
D941,495 S * 1/2022 Su D25/48.5

D945,018 S * 3/2022 Cai D25/48.5
D947,410 S * 3/2022 Bearsch D25/48.5
2008/0121352 A1 * 5/2008 Cheng E01F 13/028
160/238

(Continued)

FOREIGN PATENT DOCUMENTS

EM 002558254-0001 * 12/2014

OTHER PUBLICATIONS

Momcozy Retractable Baby Gate Amazon <https://www.amazon.com/Momcozy-Retractable-Extends-Doorways-Hallways/dp/B08T681D96?th=1> Available Jun. 24, 2021 (Year: 2021).*

Primary Examiner — Leanne Was-Englehart
(74) *Attorney, Agent, or Firm* — Bayramoglu Law Offices LLC

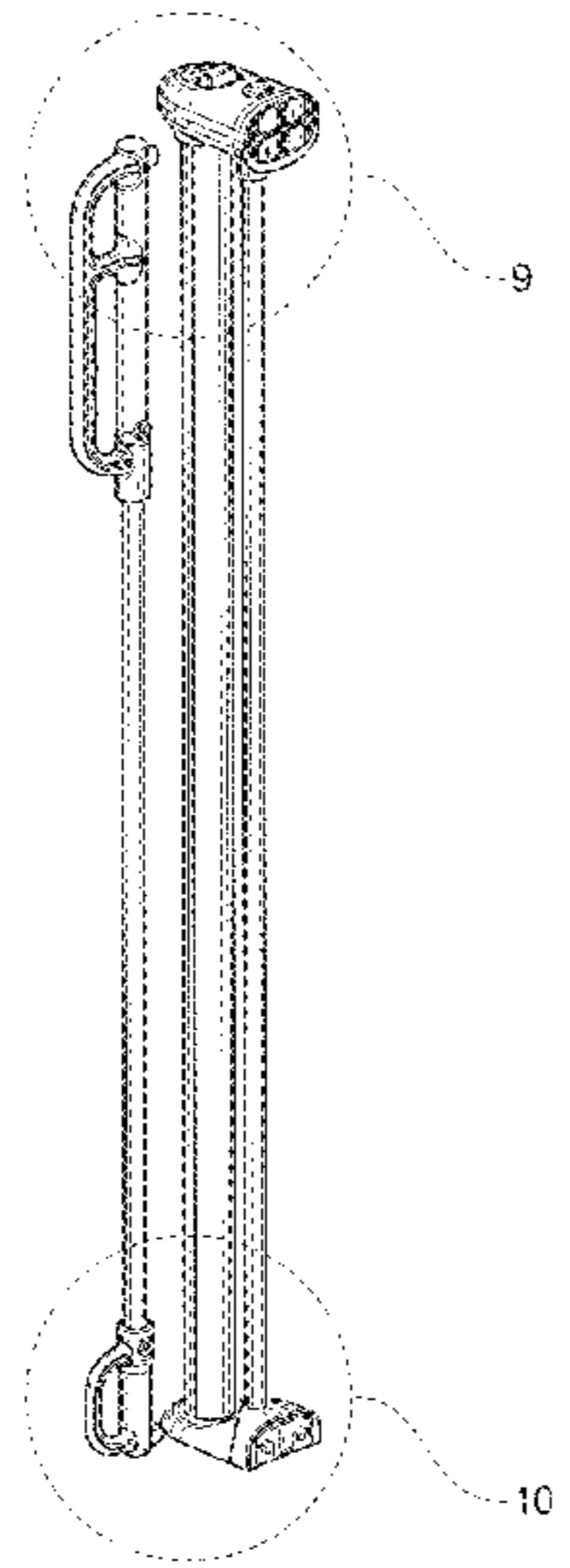
(57) **CLAIM**

The ornamental design for a baby safety gate, as shown and described.

DESCRIPTION

FIG. 1 is a top perspective view of a baby safety gate showing our new design;
FIG. 2 is a front view thereof;
FIG. 3 is a rear view thereof;
FIG. 4 is a right side view thereof;
FIG. 5 is a left side view thereof;
FIG. 6 is a top view thereof;
FIG. 7 is a bottom view thereof;
FIG. 8 is a bottom perspective view thereof;
FIG. 9 is a partially enlarged view showing the area “9” in FIG. 1; and,
FIG. 10 is a partially enlarged view showing the area “10” in FIG. 1.
The broken lines indicating an enlargement portion of the design form no part of the claimed design.
The broken lines depict portions of the baby safety gate that form no part of the claimed design.

1 Claim, 10 Drawing Sheets



(56)

References Cited

U.S. PATENT DOCUMENTS

2008/0121354 A1* 5/2008 Cheng E01F 13/028
160/290.1
2013/0299101 A1* 11/2013 Wang E06B 9/60
160/303
2018/0044982 A1* 2/2018 Wang E06B 9/08
2019/0078382 A1* 3/2019 Wang E06B 9/17046
2021/0040791 A1* 2/2021 Wang E06B 9/08

* cited by examiner

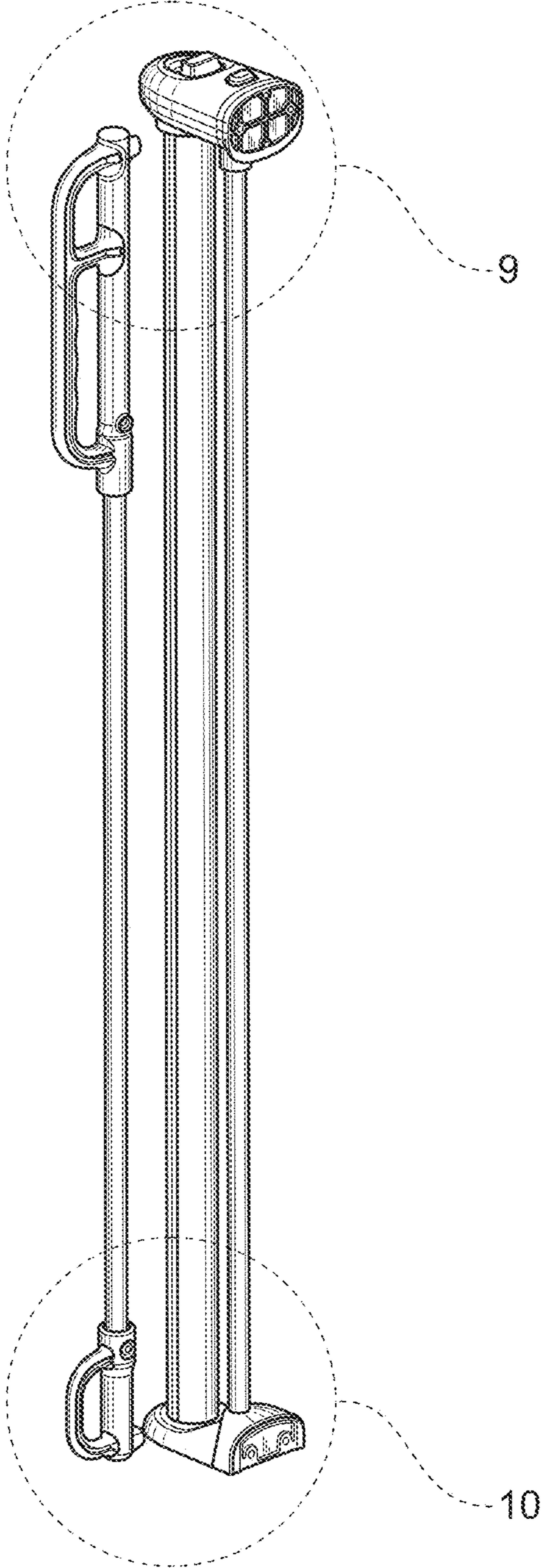


FIG. 1

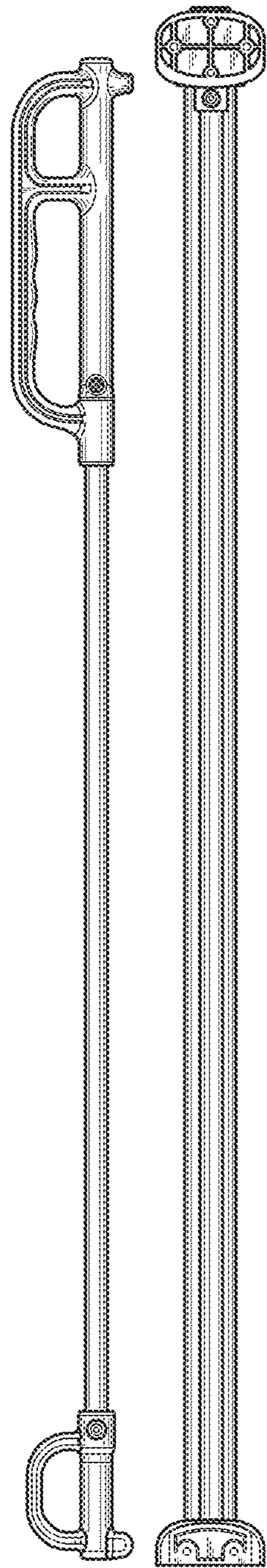


FIG. 2

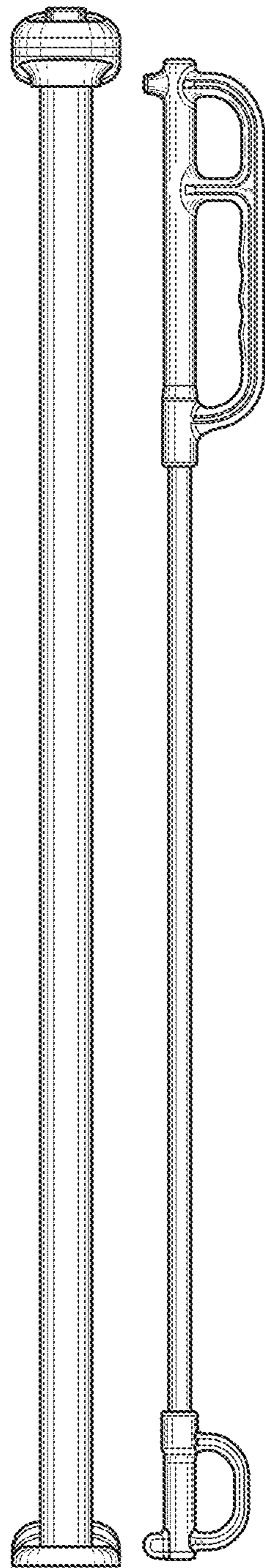


FIG. 3

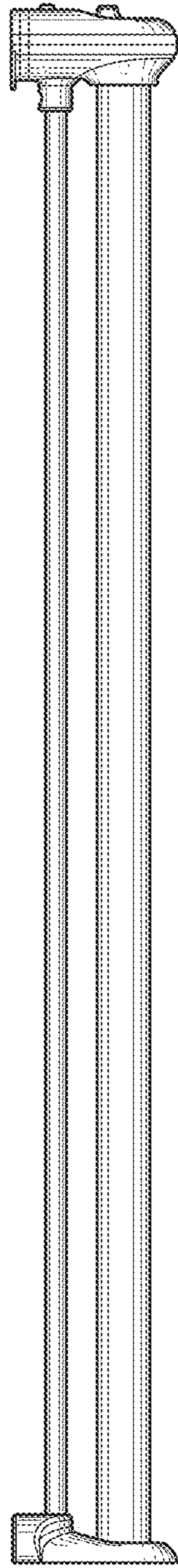


FIG. 4

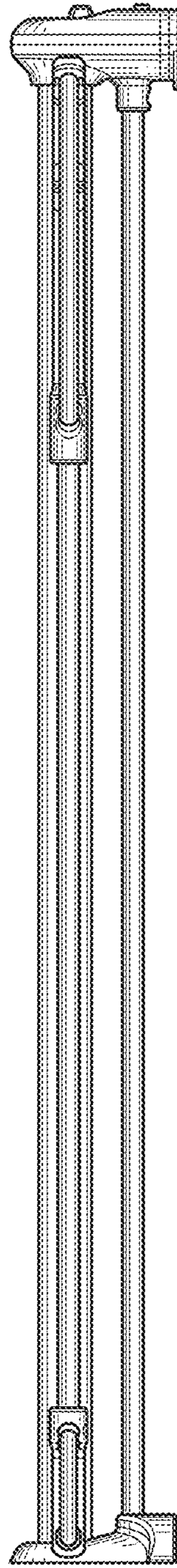


FIG. 5

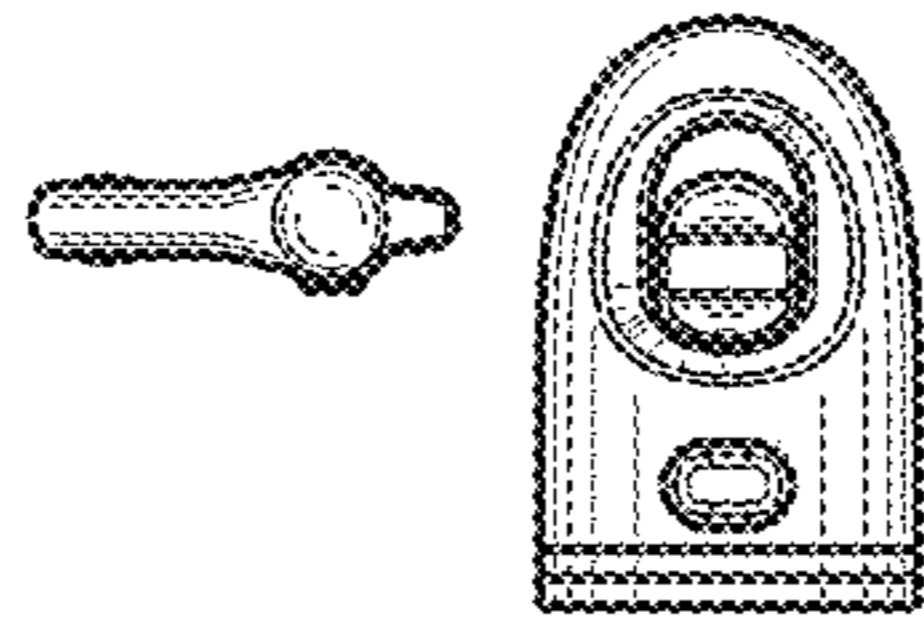


FIG. 6

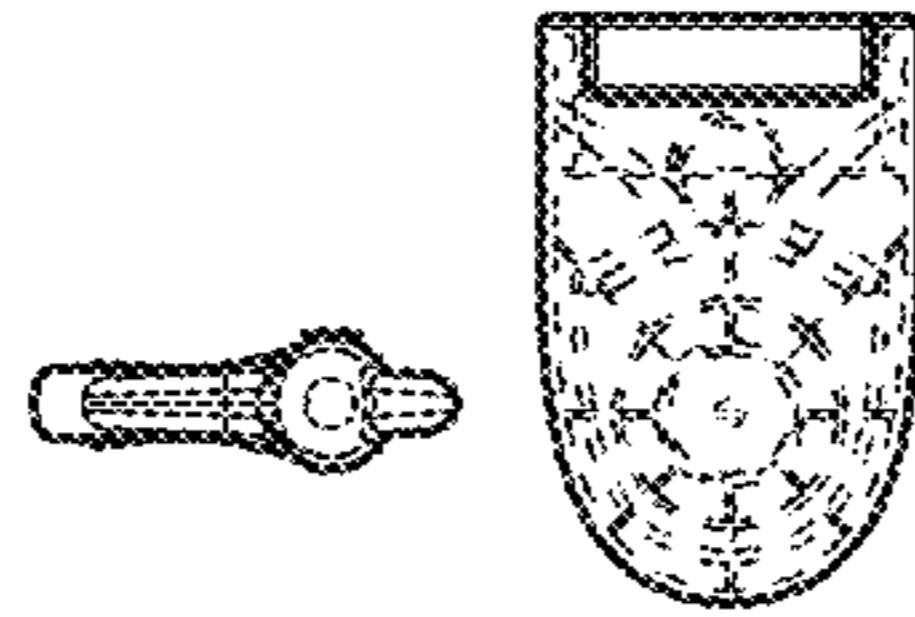


FIG. 7

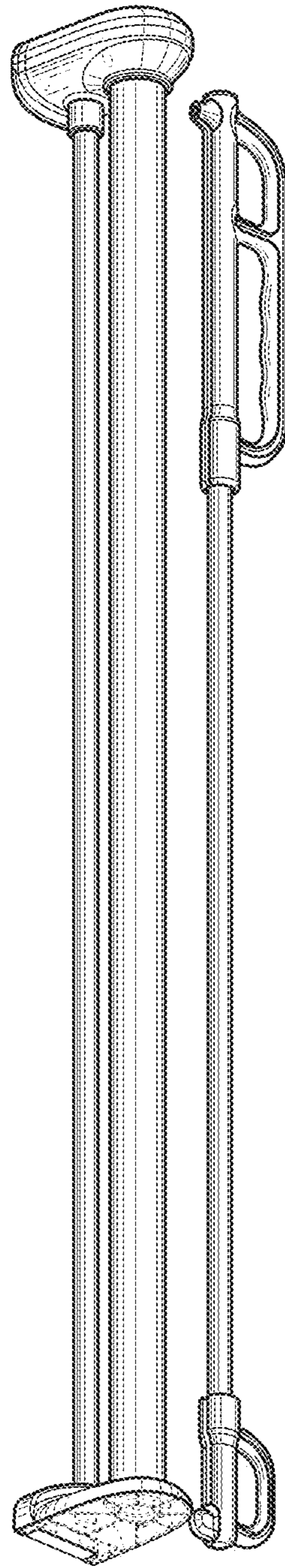


FIG. 8

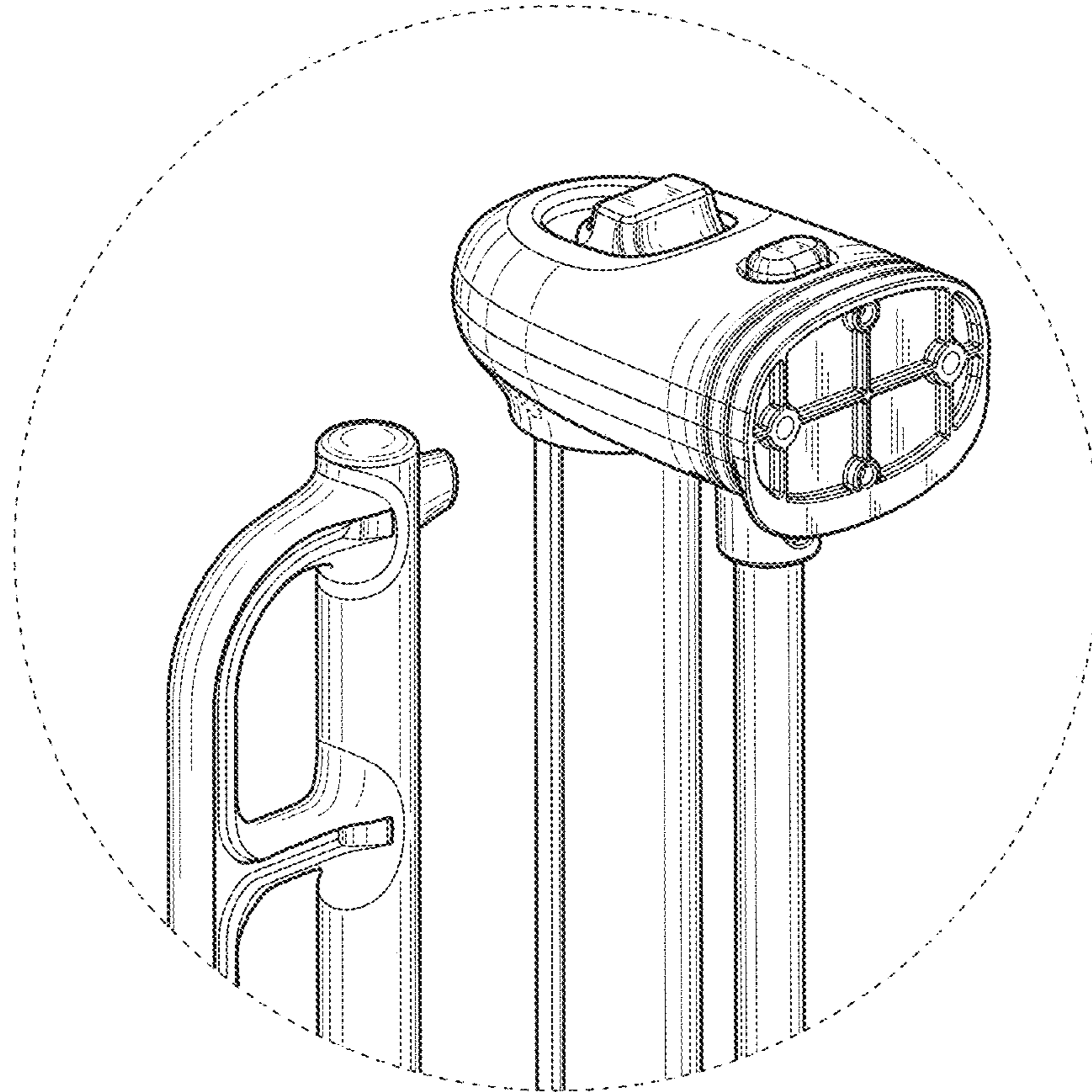


FIG. 9

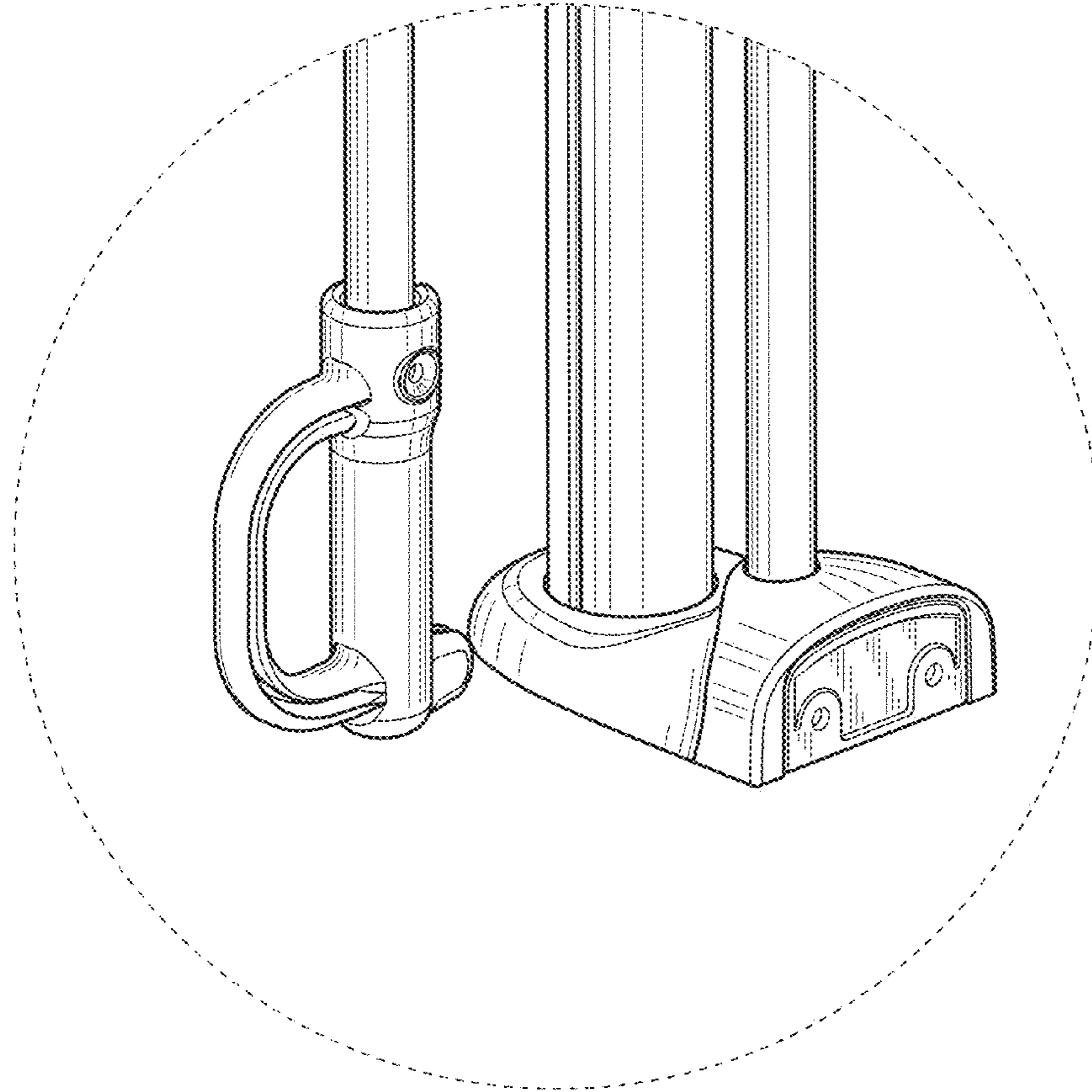


FIG. 10