



US00D977677S

(12) **United States Design Patent**  
**Hodges**

(10) **Patent No.:** **US D977,677 S**

(45) **Date of Patent:** **\*\* Feb. 7, 2023**

(54) **EXTRUSION FOR A DRAFT SEAL**

(71) Applicant: **Michael Ross Hodges**, Dunedin (NZ)

(72) Inventor: **Michael Ross Hodges**, Dunedin (NZ)

(\*\*) Term: **15 Years**

(21) Appl. No.: **29/770,102**

(22) Filed: **Feb. 9, 2021**

(30) **Foreign Application Priority Data**

Aug. 11, 2020 (NZ) ..... 427878

(51) **LOC (14) Cl.** ..... **25-99**

(52) **U.S. Cl.**  
USPC ..... **D25/48.2**

(58) **Field of Classification Search**  
USPC ..... D25/48.1, 48.2, 119-125, 136, 164, 199  
CPC ..... E06B 1/70; E06B 2001/707; E06B 7/14;  
E06B 7/2314; E06B 7/232; E06B 3/9632  
See application file for complete search history.

(56) **References Cited**

**U.S. PATENT DOCUMENTS**

- 92,367 A \* 7/1869 Robinson ..... E06B 7/22  
49/493.1
- D665,513 S \* 8/2012 Engel ..... D25/113
- D676,157 S \* 2/2013 Johnston ..... B29C 48/12  
D25/124
- D725,796 S \* 3/2015 Van Camp ..... D25/60

- D742,032 S \* 10/2015 Smith ..... D25/48.2
- D749,238 S \* 2/2016 Reinthaler ..... D25/119
- D820,470 S \* 6/2018 Chapman ..... D25/48.2
- D952,904 S \* 5/2022 Bagnall ..... D25/48.2
- 2017/0122024 A1\* 5/2017 Snape ..... E06B 7/2316

**FOREIGN PATENT DOCUMENTS**

- CN 302256843 \* 12/2012
- EM 008431142-0001 \* 4/2021

**OTHER PUBLICATIONS**

Draught Stops [https://evsglazing.nz/EVS\\_Draughtstops.html](https://evsglazing.nz/EVS_Draughtstops.html) May 11, 2021 (Year: 2021).\*

\* cited by examiner

*Primary Examiner* — Leanne Was-Englehart  
(74) *Attorney, Agent, or Firm* — Karish & Bjorgum, PC

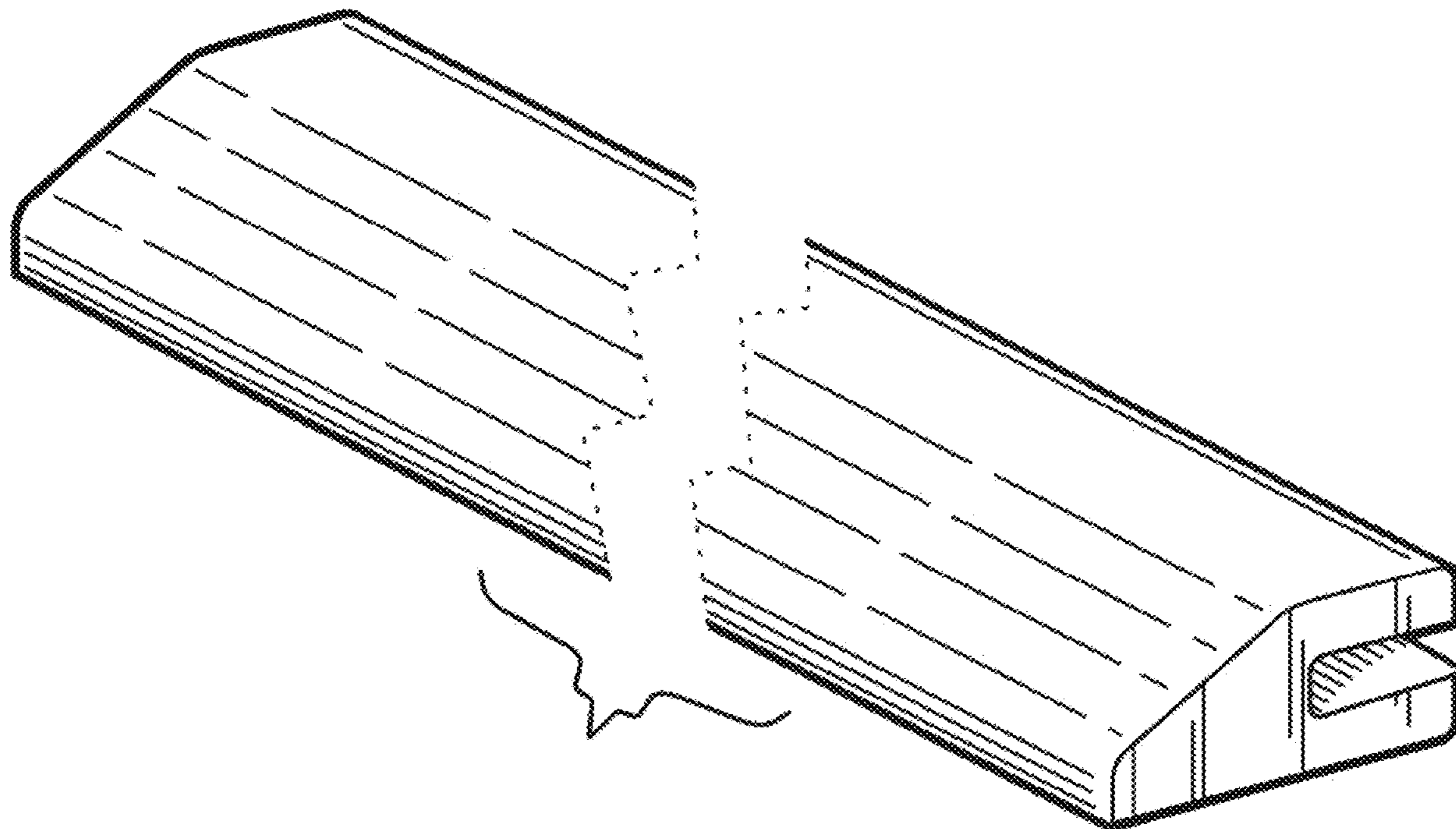
(57) **CLAIM**

The ornamental design for an extrusion for a draft seal, as shown and described.

**DESCRIPTION**

FIG. 1 is a perspective view of the extrusion for a draft seal; and,  
FIG. 2 is an elevational end view of the extrusion for a draft seal.  
The dotted broken lines depict a symbolic break. The portion between the break lines forms no part of the claimed design.

**1 Claim, 2 Drawing Sheets**



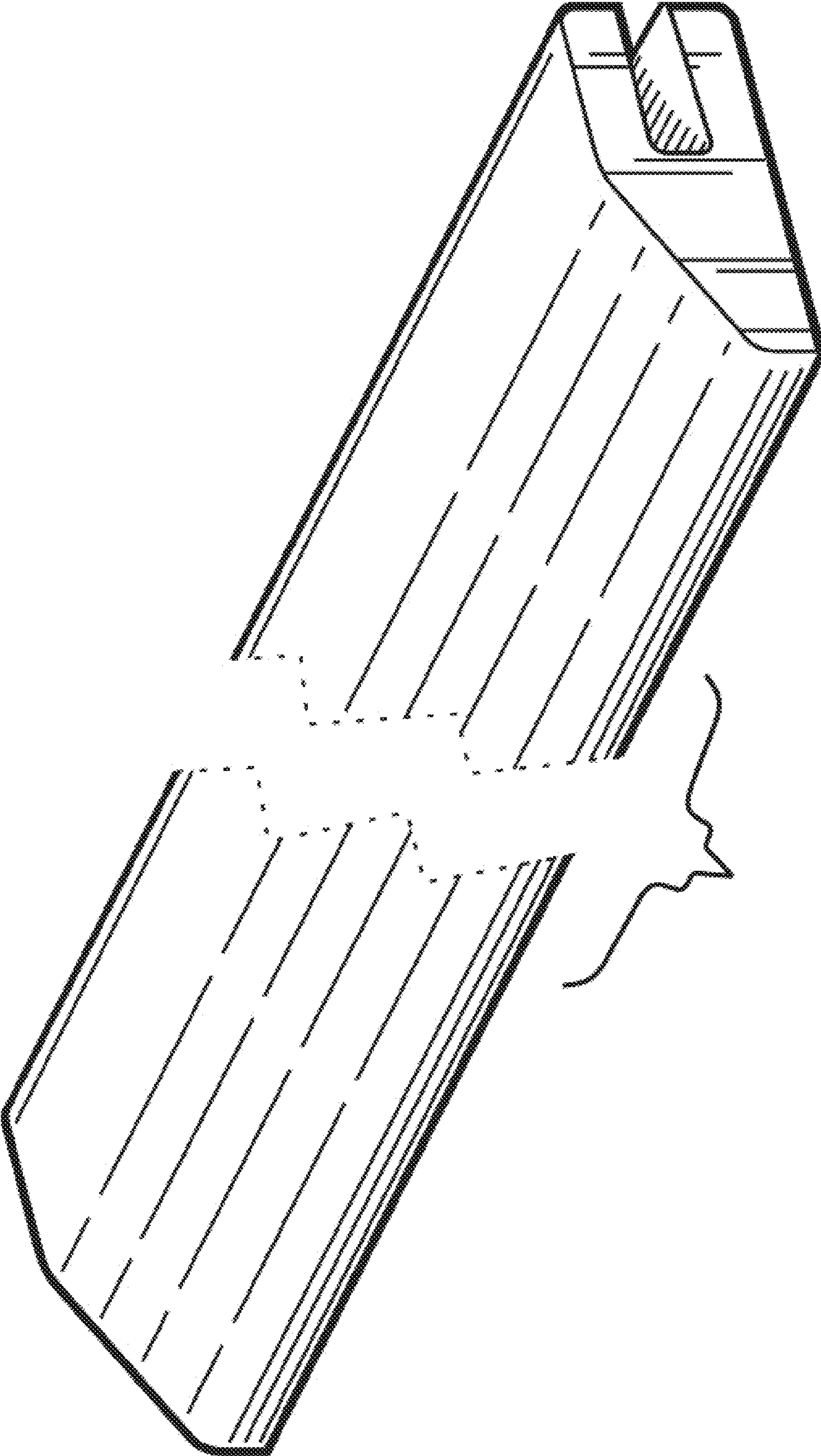


FIG. 1

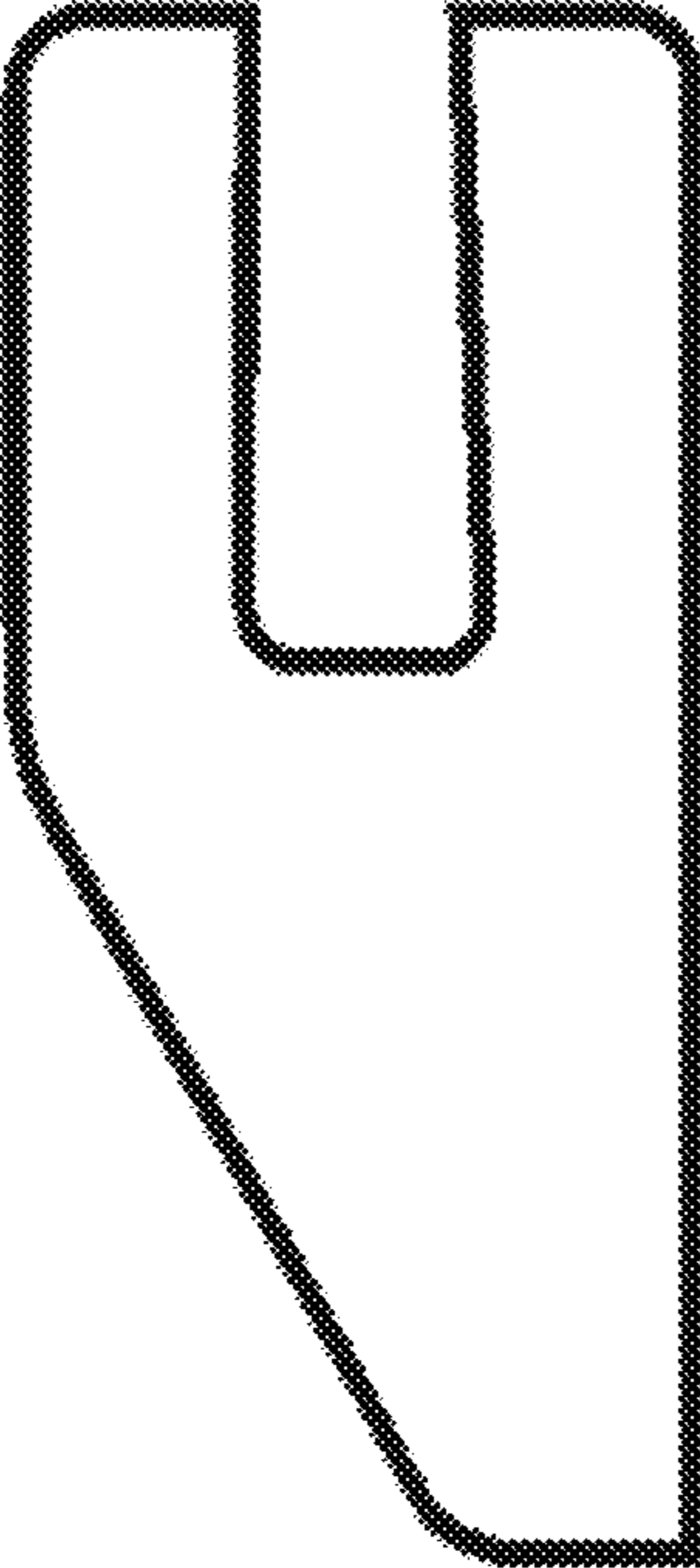


FIG. 2