



US00D977672S

(12) **United States Design Patent** (10) **Patent No.:** **US D977,672 S**
Hollabaugh et al. (45) **Date of Patent:** **** Feb. 7, 2023**

- (54) **TRAY AND BAFFLES**
- (71) Applicant: **DCI Donor Services, Inc.**, Nashville, TN (US)
- (72) Inventors: **Stephen Hollabaugh**, Nashville, TN (US); **Chris Cowan**, Nashville, TN (US)
- (73) Assignee: **DCI Donor Services, Inc.**, Nashville, TN (US)
- (**) Term: **15 Years**
- (21) Appl. No.: **29/781,836**
- (22) Filed: **Apr. 30, 2021**
- (51) **LOC (14) Cl.** **24-02**
- (52) **U.S. Cl.**
USPC **D24/224**
- (58) **Field of Classification Search**
USPC D7/300, 311, 325, 387, 392, 397, 415, D7/589; D15/138, 150-152; D24/107, D24/121, 224, 226, 227, 229, 232
CPC A61B 50/33; A61B 90/50
See application file for complete search history.

- (56) **References Cited**
U.S. PATENT DOCUMENTS
D242,654 S * 12/1976 Rawls 206/561
D280,130 S * 8/1985 Harkins D24/219
D325,090 S * 3/1992 Karp D24/224
D335,348 S * 5/1993 Frenkel D24/224
D365,153 S * 12/1995 Robertson, Jr. D24/224

- D369,415 S * 4/1996 Boulton D24/227
- D382,974 S * 8/1997 Lahm D24/227
- D701,972 S * 4/2014 Ohmae D24/229
- D832,456 S * 10/2018 Self D24/224
- D838,380 S * 1/2019 Self D24/224
- D846,144 S * 4/2019 Fawdington D24/224
- D890,951 S * 7/2020 Brennan D24/227
- D906,537 S * 12/2020 Sims D24/224
- D923,815 S * 6/2021 Livingston D24/226
- 2021/0341225 A1 * 11/2021 Hollabaugh A61L 27/3608

* cited by examiner
Primary Examiner — Michael C Stout
Assistant Examiner — Fritzgerald L Butac
(74) *Attorney, Agent, or Firm* — Stites & Harbison PLLC; Richard S. Myers, Jr.

(57) **CLAIM**
The ornamental design for a tray and baffles, as shown and described.

DESCRIPTION
FIG. 1 is a front perspective view of the design of tray and baffles of the present invention;
FIG. 2 is a top plan view of the tray and baffles shown in FIG. 1;
FIG. 3 a side elevation view of the tray and baffles it shown in FIG. 1;
FIG. 4 is a front elevation view of the tray and baffles shown in FIG. 1; and,
FIG. 5 is a bottom elevation view of the tray and baffles shown in FIG. 1.
The broken lines show portions of a tray and baffles that forms no part of the claimed design.

1 Claim, 3 Drawing Sheets

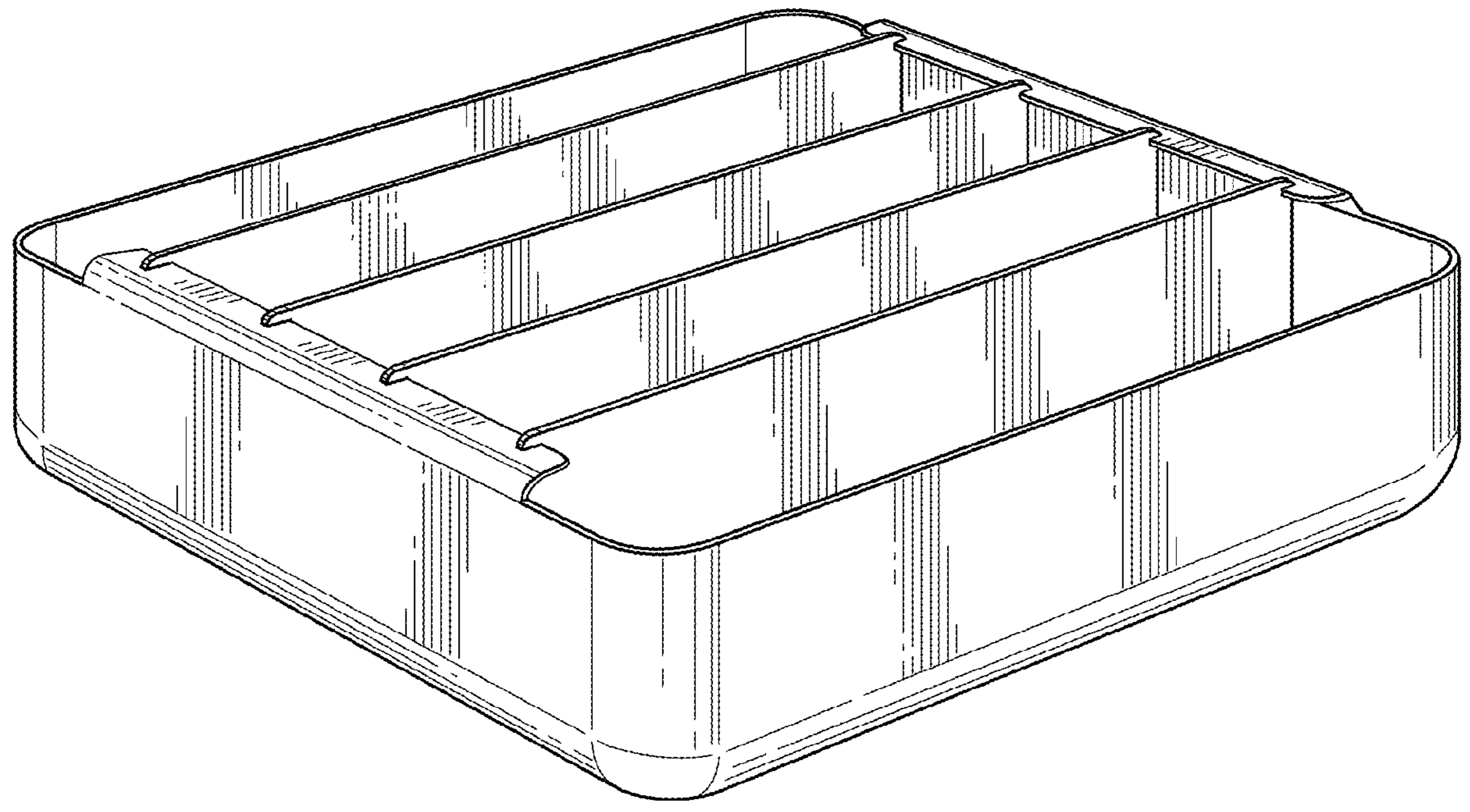


FIG. 1

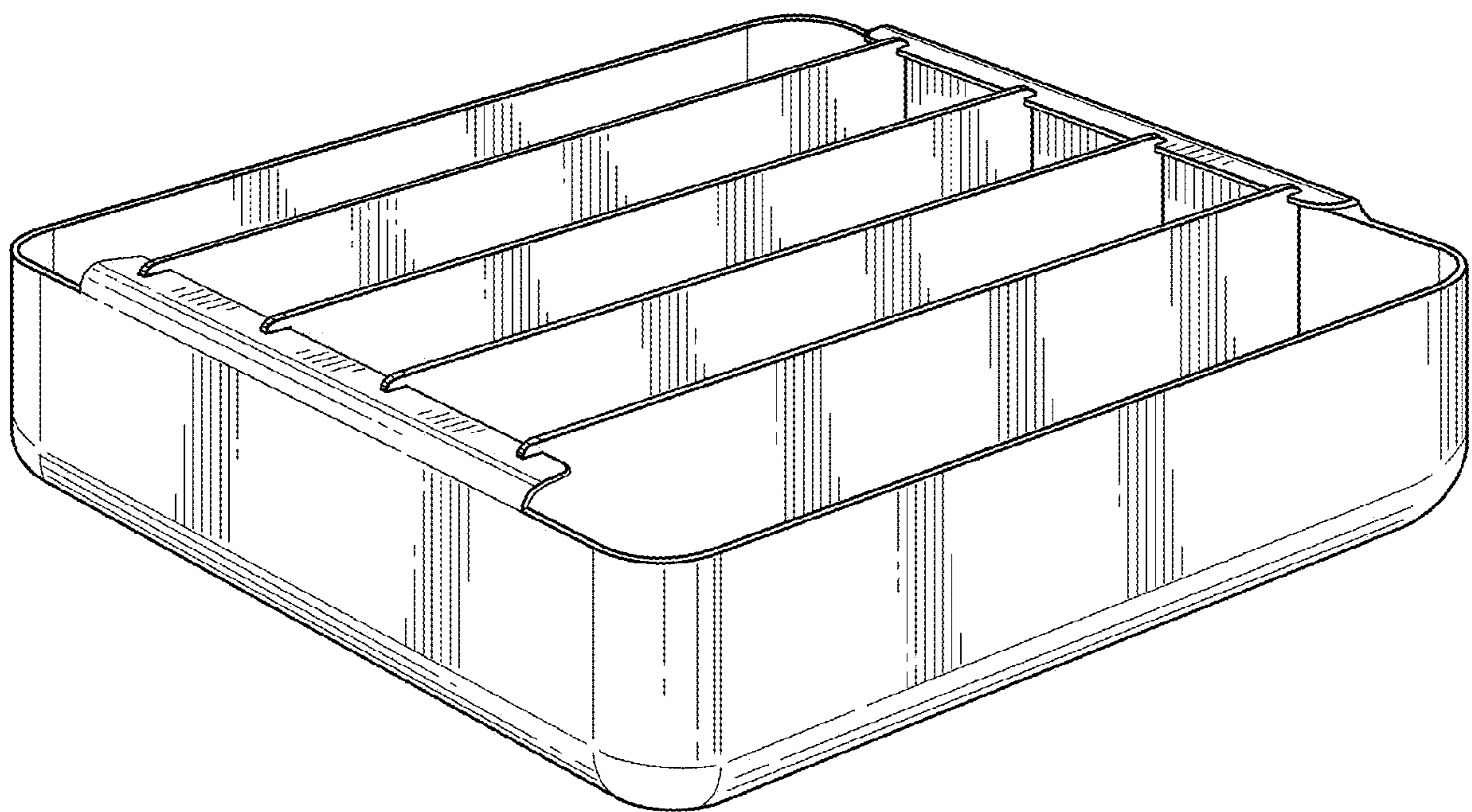


FIG. 2

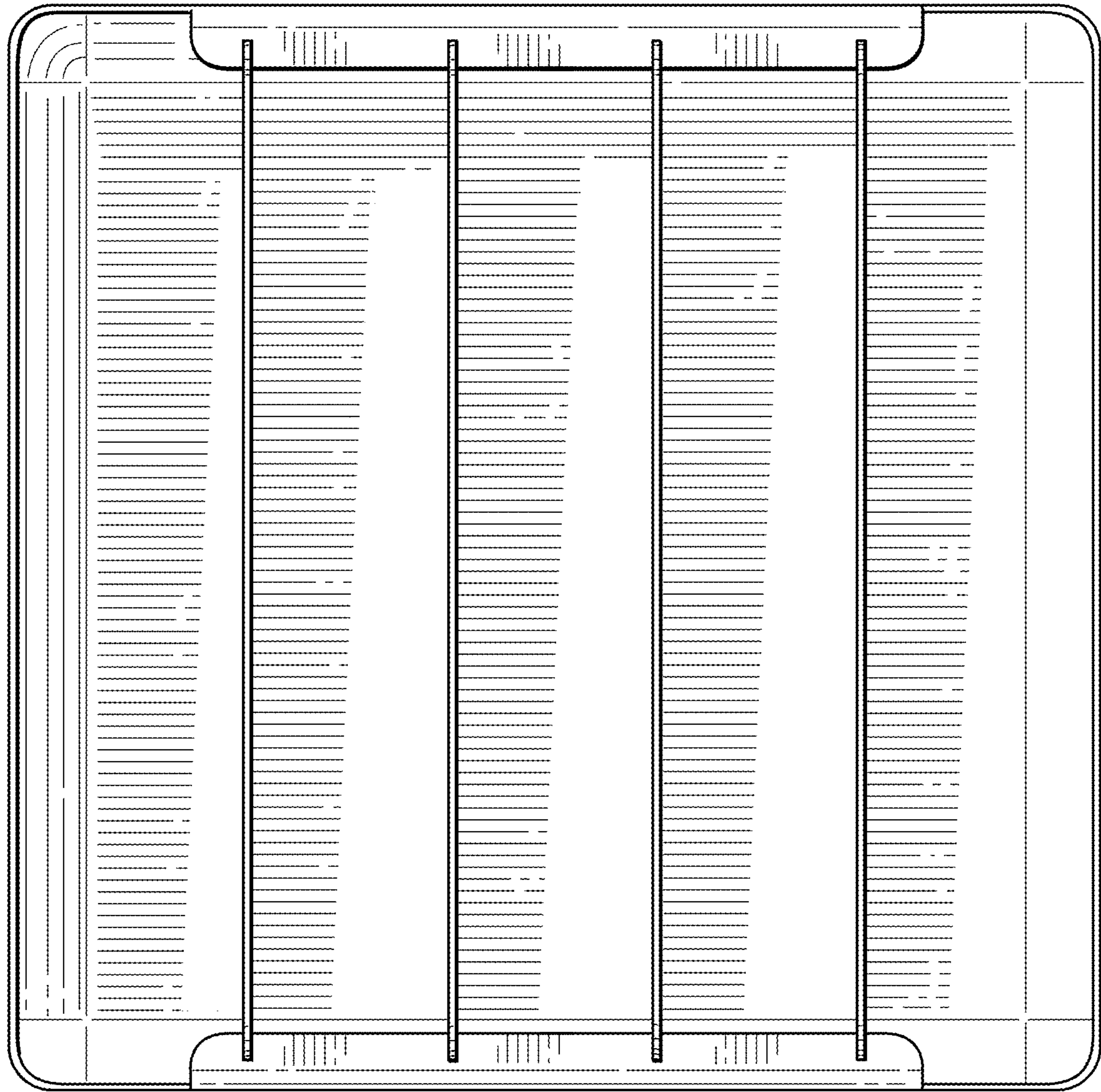


FIG. 3

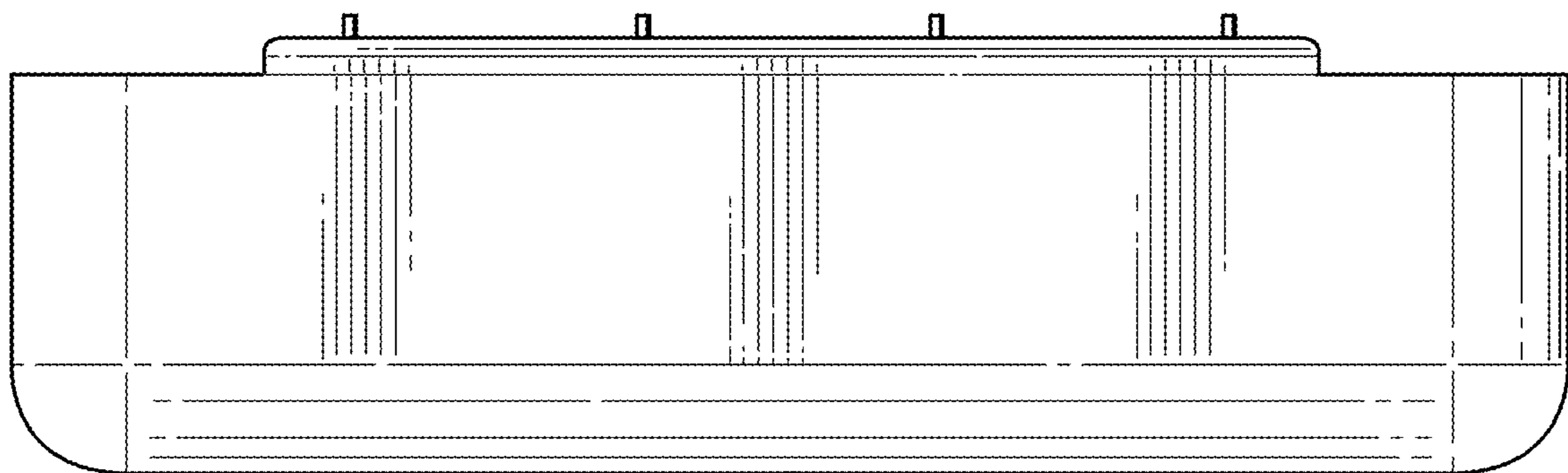


FIG. 4

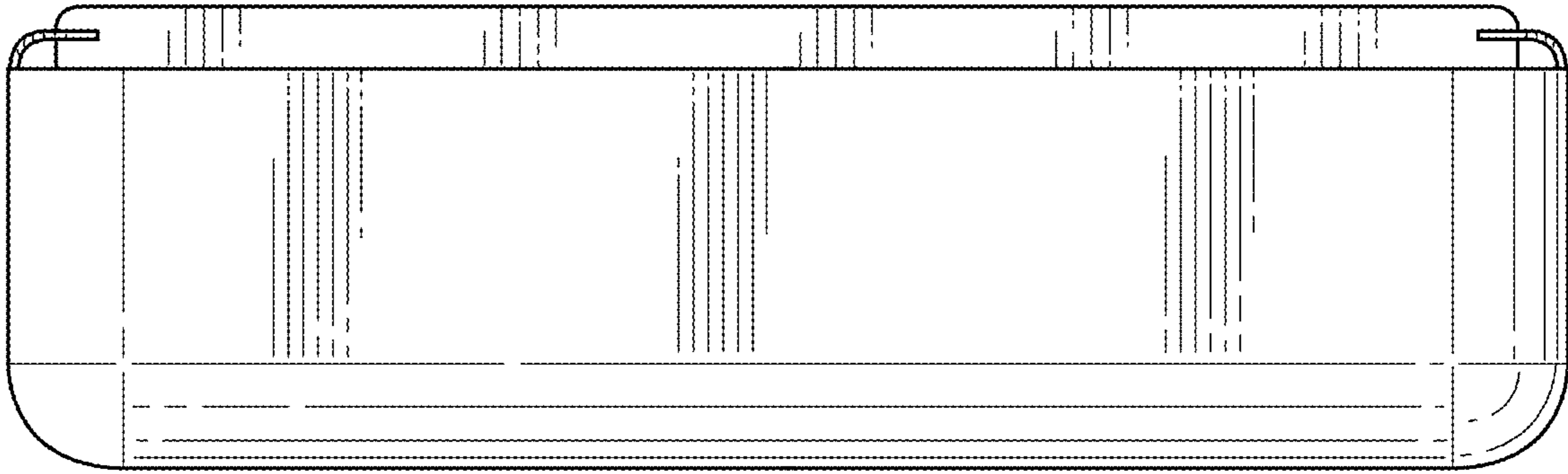


FIG. 5

