



US00D977663S

(12) **United States Design Patent** (10) **Patent No.:** **US D977,663 S**
Wersland et al. (45) **Date of Patent:** **** Feb. 7, 2023**

(54) **PERCUSSIVE MASSAGE DEVICE**

(56) **References Cited**

(71) Applicant: **Therabody, Inc.**, Los Angeles, CA (US)
(72) Inventors: **Jason Wersland**, Los Angeles, CA (US); **Benjamin Nazarian**, Los Angeles, CA (US); **Jaime Sanchez Solana**, Los Angeles, CA (US); **Eduardo Merino**, Los Angeles, CA (US); **Trent Hernandez**, Los Angeles, CA (US)

U.S. PATENT DOCUMENTS

1,594,636 A	8/1926	Smith
1,784,301 A	12/1930	Mekler
3,968,789 A	7/1976	Simoncini
4,691,693 A	9/1987	Sato
4,989,613 A	2/1991	Finkenberg
D329,291 S	9/1992	Wollman
D329,292 S	9/1992	Wollman
D331,467 S	12/1992	Wollman
D388,175 S	12/1997	Lie

(Continued)

(73) Assignee: **Therabody, Inc.**, Los Angeles, CA (US)

(**) Term: **15 Years**

(21) Appl. No.: **29/828,348**

(22) Filed: **Feb. 25, 2022**

OTHER PUBLICATIONS

Amazon, "Theragun G3PRO Percussive Therapy Device", Feb. 13, 2019. https://www.amazon.com/dp/B07MJ2MCT3/ref=nav_timeline_asin?_encoding=UTF8&psc=1. Shown on p. 1. (Year: 2019).

(Continued)

Primary Examiner — Michael A Maharajh
(74) *Attorney, Agent, or Firm* — Sterne, Kessler, Goldstein & Fox P.L.L.C.

Related U.S. Application Data

(60) Continuation of application No. 29/728,611, filed on Mar. 19, 2020, now Pat. No. Des. 949,392, which is a division of application No. 29/708,814, filed on Oct. 9, 2019, now Pat. No. Des. 879,986, which is a continuation-in-part of application No. 29/674,836, filed on Dec. 26, 2018, now Pat. No. Des. 880,714.

(51) **LOC (14) Cl.** **28-03**

(52) **U.S. Cl.**
USPC **D24/215**

(58) **Field of Classification Search**
USPC D24/200, 211, 212, 213, 214, 215;
D8/14.1; D28/13
CPC . A61H 2201/1635; A61H 23/006; A61H 1/00
See application file for complete search history.

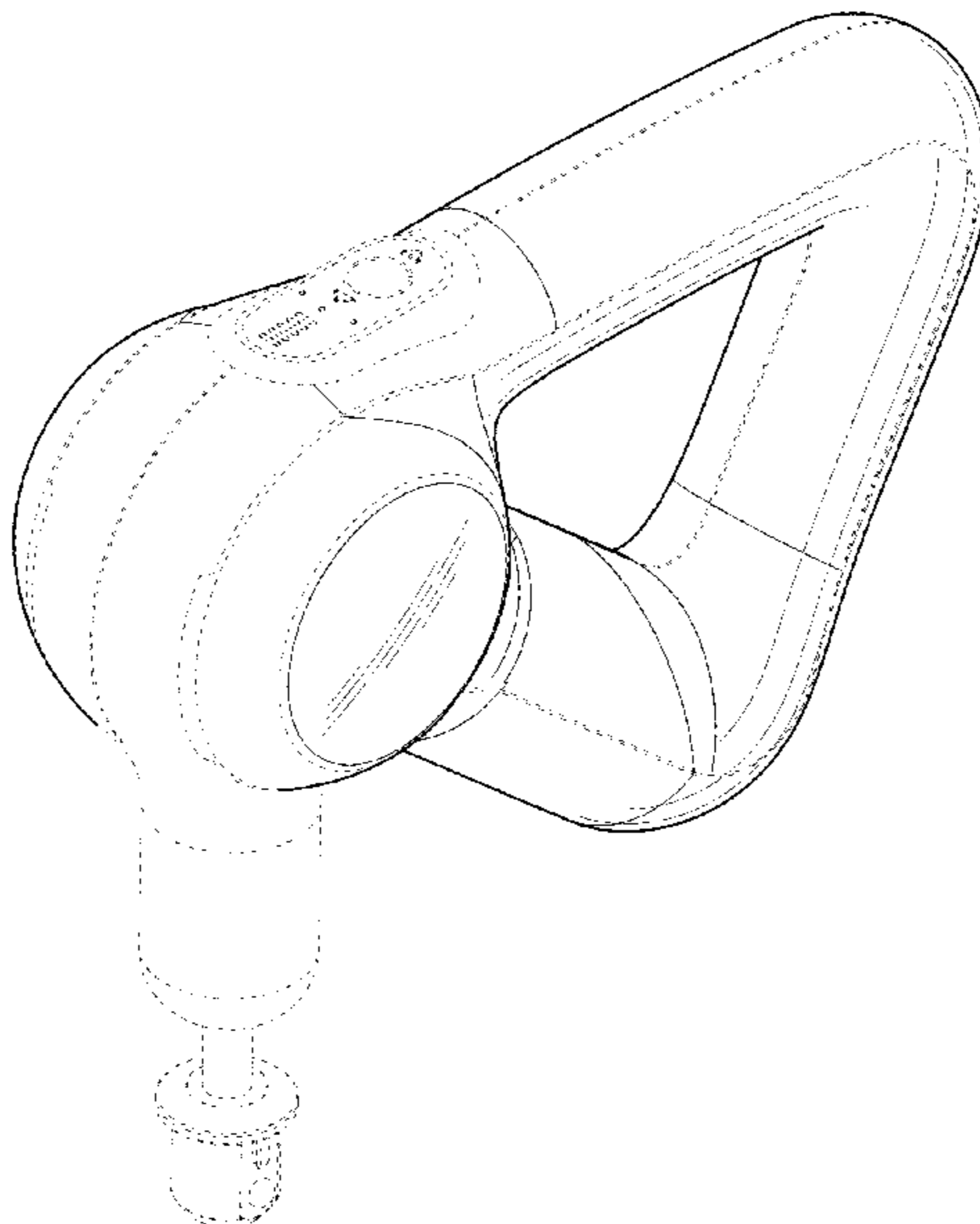
(57) **CLAIM**

The ornamental design for a percussive massage device, as shown and described.

DESCRIPTION

FIG. 1 is a top perspective view of a percussive massage device, showing our new design;
FIG. 2 is a right side elevational view, the left side elevational view being a mirror image thereof;
FIG. 3 is a front elevational view thereof;
FIG. 4 is a rear elevational view thereof;
FIG. 5 is a top plan view thereof;
FIG. 6 is a bottom plan view thereof; and,
FIG. 7 is a bottom perspective view thereof.
The broken lines in the figures show portions of the percussive massage device that form no part of the claimed design.

1 Claim, 5 Drawing Sheets



(56)

References Cited

U.S. PATENT DOCUMENTS

5,925,002 A 7/1999 Wollman
 D430,938 S 9/2000 Lee
 D448,852 S 10/2001 Engelen
 6,401,289 B1 6/2002 Herbert
 D476,746 S 7/2003 Harris
 D531,733 S 11/2006 Burout, III
 D553,252 S 10/2007 Masuda
 D606,192 S 12/2009 Summerer
 D649,657 S 11/2011 Petersen
 D658,759 S 5/2012 Maresaux
 8,435,194 B2 5/2013 Dverin
 D703,337 S 4/2014 Fuhr
 D706,433 S 6/2014 Fuhr
 D708,742 S 7/2014 Dallemagne
 D734,863 S 7/2015 Hennessey
 D735,348 S 7/2015 Hennessey
 D759,237 S 6/2016 Heath
 D759,238 S 6/2016 Heath
 D763,442 S 8/2016 Price
 D778,439 S 2/2017 Hakansson
 D819,221 S 5/2018 Lei
 D823,478 S 7/2018 Park
 D837,395 S 1/2019 Gan
 D838,378 S 1/2019 Cao
 D840,547 S 2/2019 Harle
 D842,491 S 3/2019 Fleming
 D843,656 S 3/2019 Zhang
 D844,896 S 4/2019 Levi
 D847,362 S 4/2019 Tang
 D847,364 S 4/2019 Lee
 D847,990 S 5/2019 Kimball
 10,314,762 B1 6/2019 Marton
 10,357,425 B2 7/2019 Wersland
 D855,822 S 8/2019 Marton
 10,428,850 B2 10/2019 Wersland
 10,470,970 B2 11/2019 Nazarian
 D872,869 S * 1/2020 Lu D24/215
 D877,351 S * 3/2020 Wersland D24/215
 D879,985 S * 3/2020 Wersland D24/214
 D879,986 S * 3/2020 Wersland D24/214
 D880,714 S * 4/2020 Wersland D24/215
 D880,715 S * 4/2020 Wersland D24/215
 D880,716 S * 4/2020 Wersland D24/215
 D884,915 S * 5/2020 Wersland D24/215
 D885,601 S * 5/2020 Wersland D24/215
 D887,573 S * 6/2020 Wersland D24/215
 10,714,953 B1 7/2020 Solana
 D896,396 S * 9/2020 Wersland D24/215
 D912,268 S 3/2021 Xiang
 D912,835 S 3/2021 Ren

10,959,911 B2 * 3/2021 Wersland A61H 1/00
 D921,914 S * 6/2021 Wersland D24/214
 D930,179 S * 9/2021 Zhu D24/215
 D949,390 S * 4/2022 Wersland D24/215
 D949,391 S * 4/2022 Wersland D24/215
 D949,392 S * 4/2022 Wersland D24/215
 D949,401 S * 4/2022 Lee D24/215
 2002/0177795 A1 11/2002 Frye
 2002/0188233 A1 12/2002 Denyes
 2003/0195443 A1 10/2003 Miller
 2005/0131461 A1 6/2005 Tucek
 2006/0116614 A1 6/2006 Jones
 2006/0211961 A1 9/2006 Meyer
 2010/0145242 A1 6/2010 Tsai
 2010/0160841 A1 6/2010 Wu
 2010/0274162 A1 10/2010 Evans
 2012/0197357 A1 8/2012 Dewey
 2013/0030506 A1 1/2013 Bartolone
 2014/0221887 A1 8/2014 Wu
 2015/0119771 A1 4/2015 Roberts
 2016/0367425 A1 12/2016 Wersland
 2017/0304145 A1 10/2017 Pepe
 2018/0154141 A1 6/2018 Ahn
 2018/0200141 A1 7/2018 Wersland
 2018/0263845 A1 9/2018 Wersland
 2019/0175434 A1 6/2019 Zhang
 2019/0254921 A1 8/2019 Marton
 2019/0254922 A1 8/2019 Marton
 2020/0069510 A1 * 3/2020 Wersland A61H 15/0085
 2020/0214930 A1 7/2020 Wersland
 2020/0261306 A1 8/2020 Pepe
 2020/0261307 A1 8/2020 Wersland
 2020/0268594 A1 8/2020 Pepe
 2020/0289365 A1 * 9/2020 Wersland A61H 1/008
 2020/0343746 A1 * 10/2020 Solana H02J 7/0044
 2020/0352820 A1 11/2020 Nazarian
 2020/0390645 A1 * 12/2020 Wersland A61H 23/006
 2020/0405574 A1 * 12/2020 Wersland A61H 1/008
 2021/0022955 A1 * 1/2021 Wersland A61B 5/4806
 2021/0059898 A1 3/2021 Wersland
 2021/0154092 A1 * 5/2021 Wersland A61H 23/00
 2021/0169733 A1 * 6/2021 Wersland A61H 23/0254
 2021/0177692 A1 * 6/2021 Nazarian H02K 7/145
 2021/0244610 A1 8/2021 Wersland
 2021/0244611 A1 8/2021 Wersland
 2022/0047453 A1 * 2/2022 Wersland A61H 23/0254

OTHER PUBLICATIONS

Amazon, "Theragun Prime", May 4, 2020. https://www.amazon.com/Theragun-Prime-Generation-Percussive-Treatment/dp/B086Z6V3S6?ref_=ast_sto_dp. Shown on p. 1. (Year: 2020).

* cited by examiner

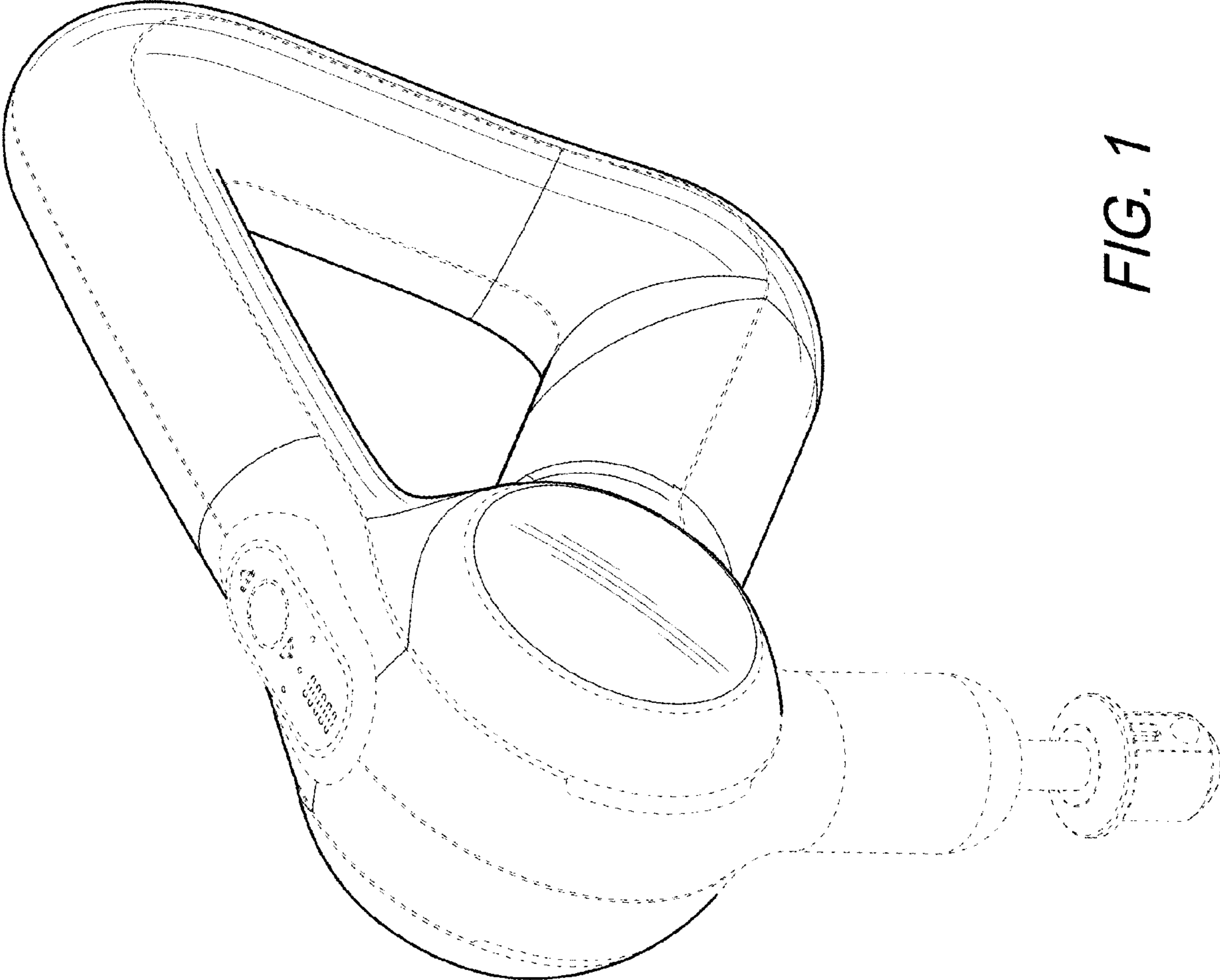


FIG. 1

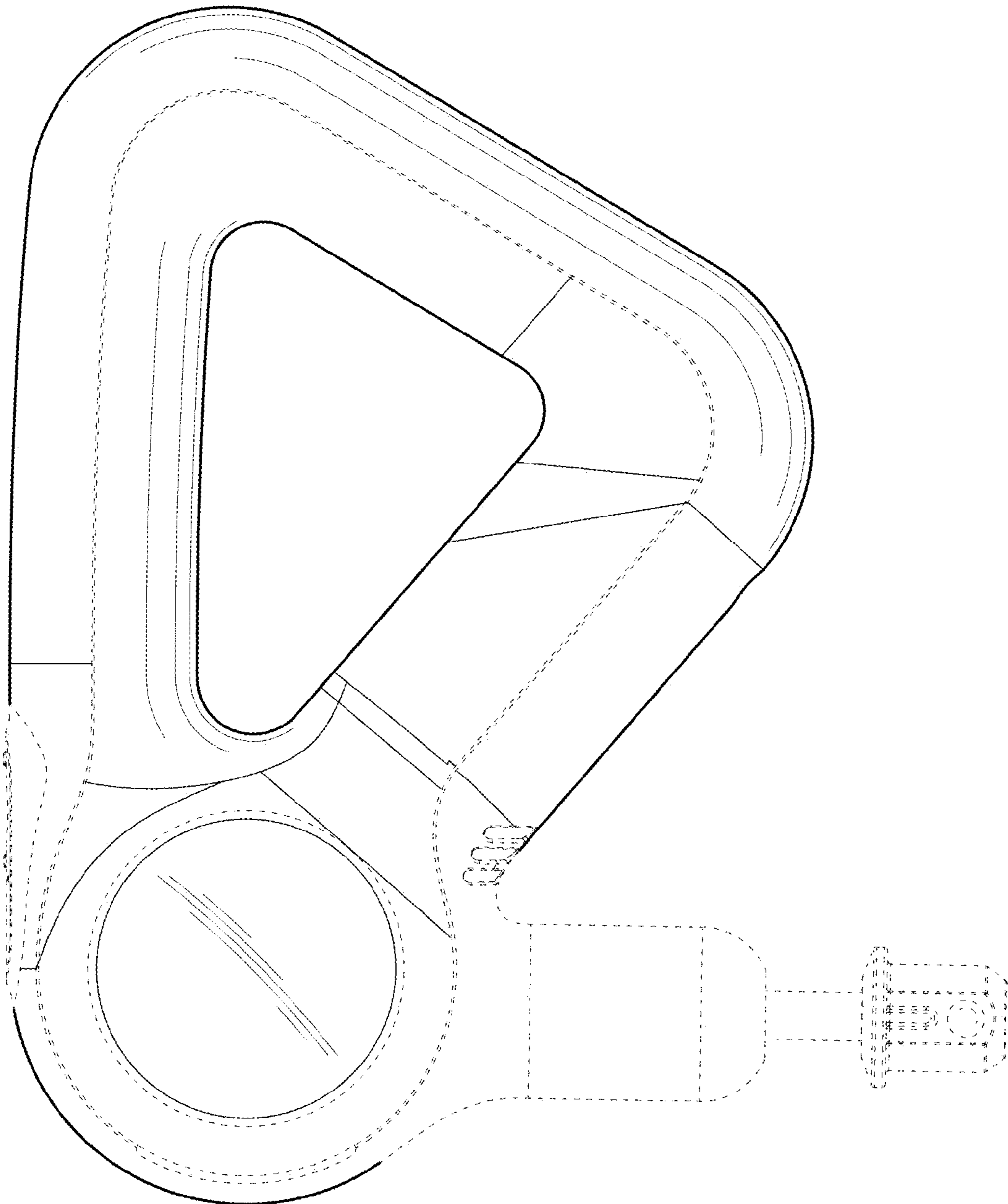


FIG. 2

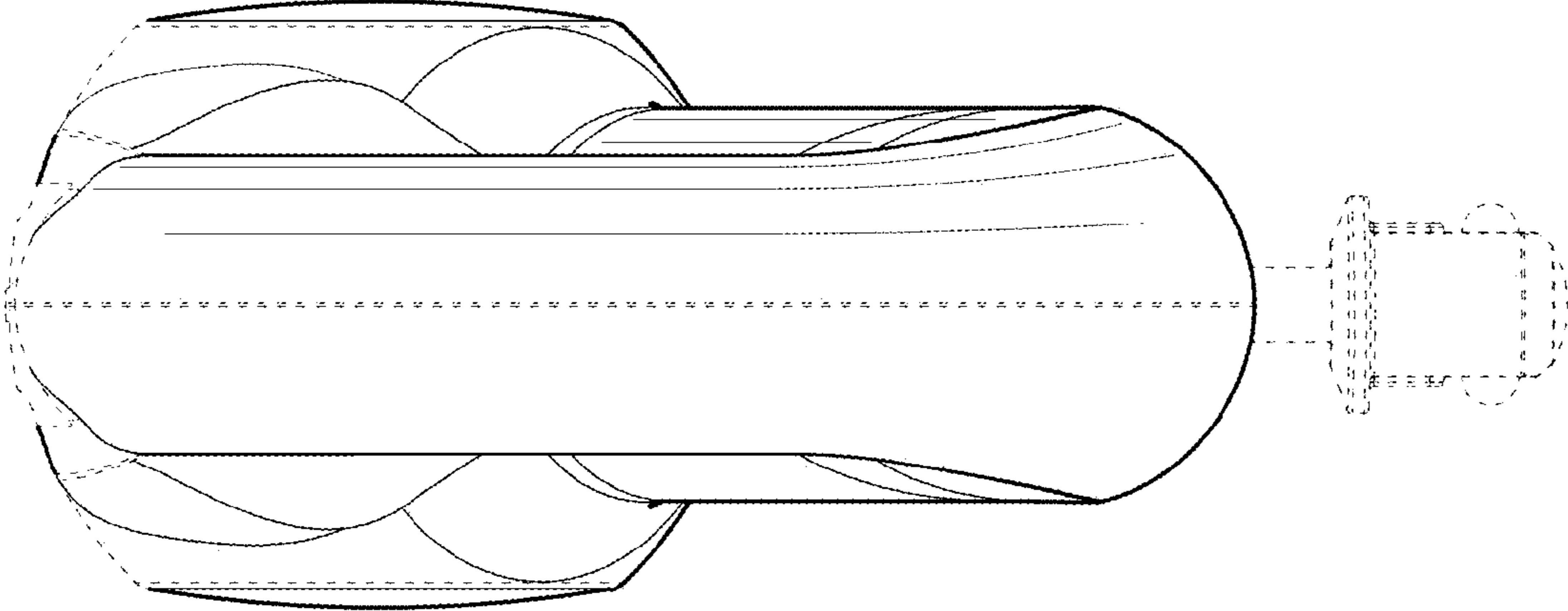


FIG. 3

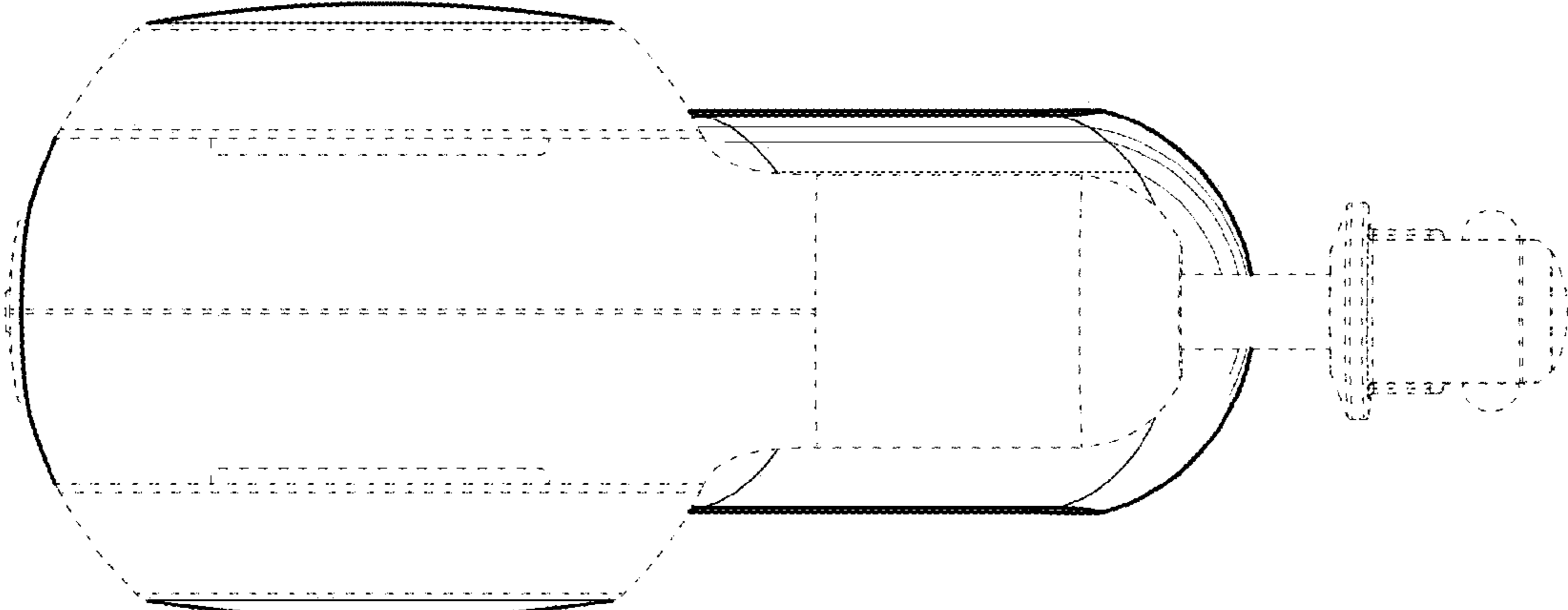


FIG. 4

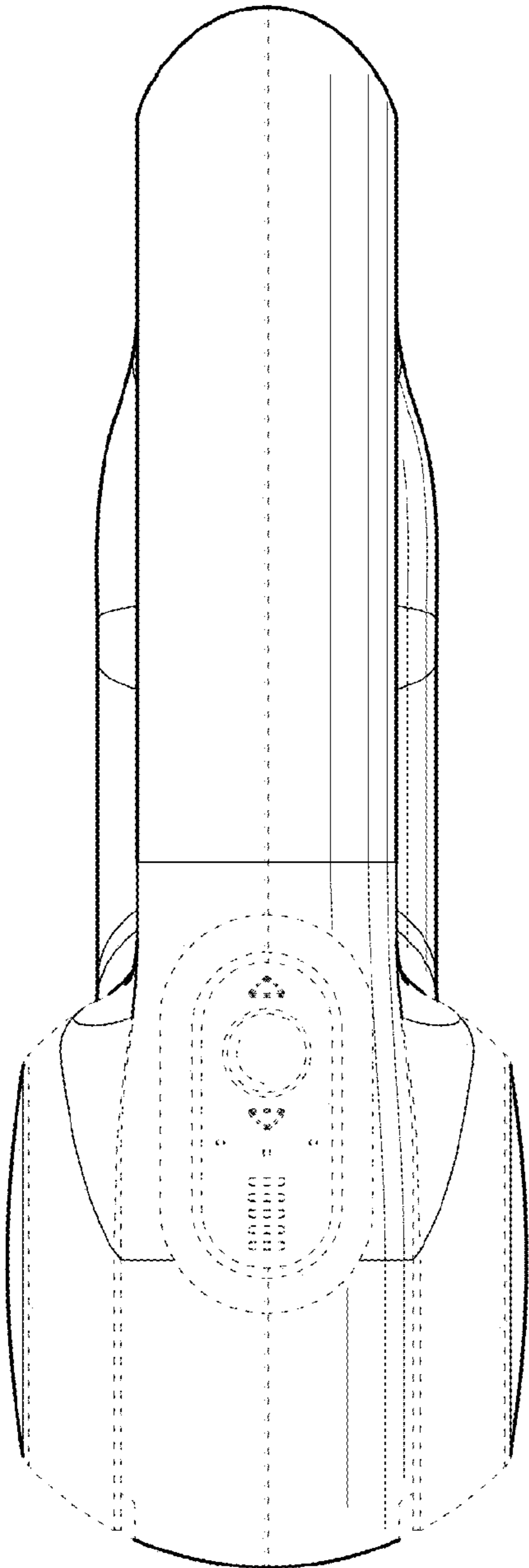


FIG. 5

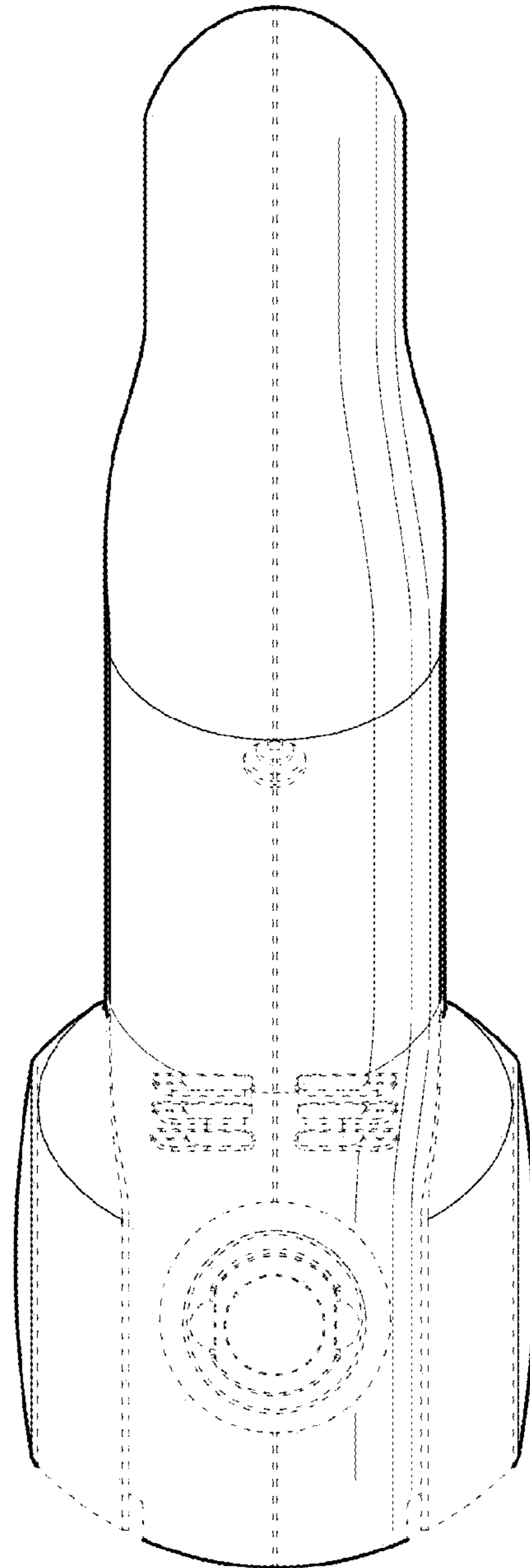


FIG. 6

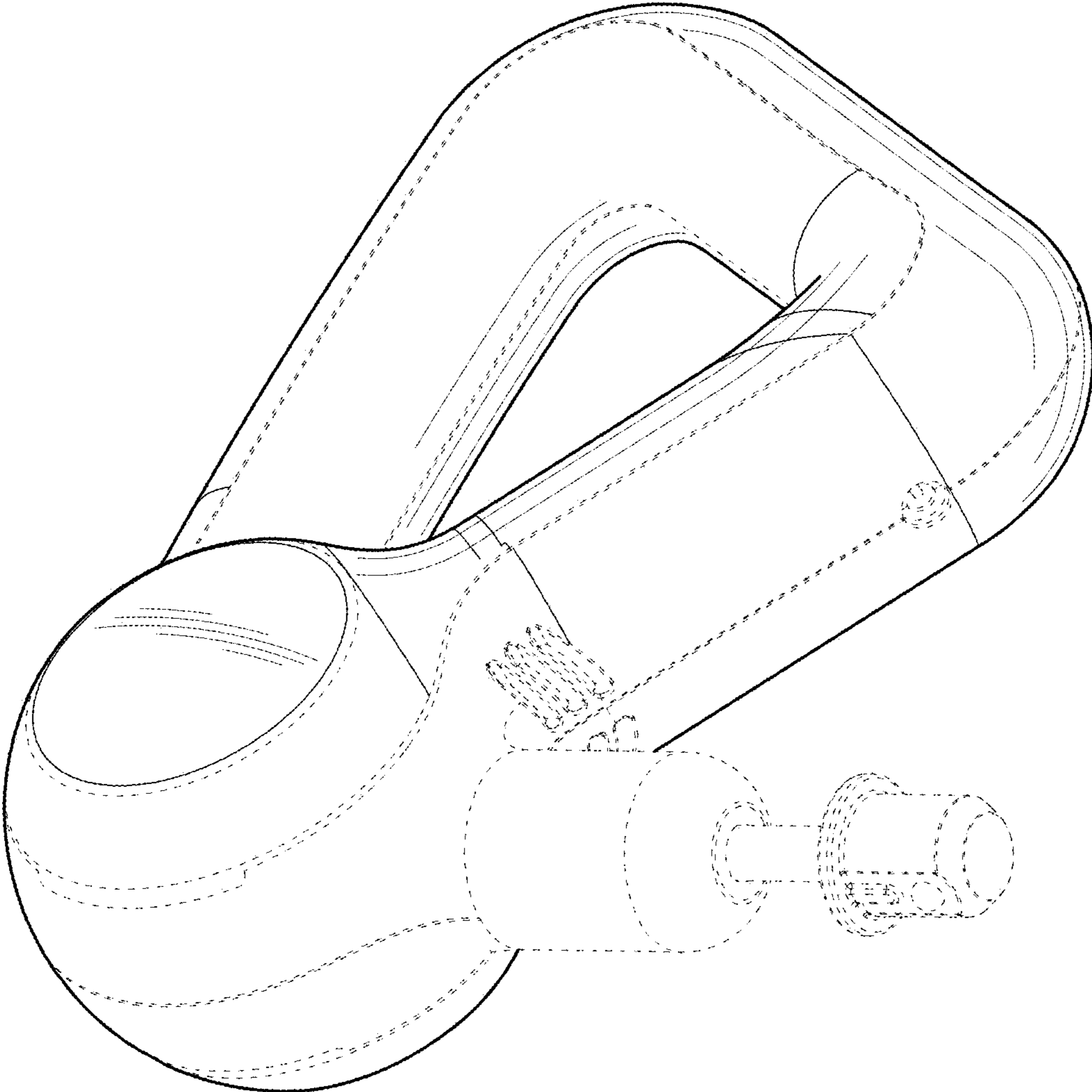


FIG. 7