



US00D977662S

(12) **United States Design Patent**
Wersland et al.

(10) **Patent No.:** **US D977,662 S**
(45) **Date of Patent:** **** Feb. 7, 2023**

(54) **MESSAGE DEVICE**

(71) Applicant: **Therabody, Inc.**, Los Angeles, CA
(US)

(72) Inventors: **Jason Wersland**, Los Angeles, CA
(US); **Jaime Sanchez Solana**, Los Angeles, CA (US); **Eduardo Merino**, Los Angeles, CA (US); **Benjamin Nazarian**, Beverly Hills, CA (US); **William Webb**, San Francisco, CA (US); **Alex Zhu**, Xiamen (CN); **Richard Tang**, Shenzhen (CN)

(73) Assignee: **Therabody, Inc.**, Los Angeles, CA
(US)

(**) Term: **15 Years**

(21) Appl. No.: **29/792,619**

(22) Filed: **Apr. 11, 2022**

(51) **LOC (14) Cl.** **28-03**

(52) **U.S. Cl.**
USPC **D24/215**

(58) **Field of Classification Search**
USPC D24/215, 200, 211, 212, 213, 214, 133,
D24/107, 231, 184; D8/14.1, 61;
D28/12, 13

CPC A61H 9/00; A61H 9/0021; A61H 15/00;
A61H 2015/0007; A61H 2015/0042;
A61H 15/0078; A61H 15/0085; A61H
23/00; A61H 2023/002; A61H 23/006

See application file for complete search history.

(56) **References Cited**

U.S. PATENT DOCUMENTS

D368,343 S * 3/1996 Gebhard D4/138
D866,790 S * 11/2019 Lee D24/215
D896,396 S * 9/2020 Wersland D24/215
D920,531 S * 5/2021 Xu
D923,190 S * 6/2021 Xu D24/214

D940,345 S * 1/2022 Cheng D24/215
D946,779 S * 3/2022 Ren D24/215
D949,400 S * 4/2022 Wersland D24/215
D953,556 S * 5/2022 Marton D24/215

(Continued)

FOREIGN PATENT DOCUMENTS

CN 305923894 7/2020
CN 306109212 10/2020

(Continued)

OTHER PUBLICATIONS

Mini Massage Gun. Date: Mar. 3, 2022. [online]. [Site visited Sep. 16, 2022]. Available from Internet URL: <https://www.amazon.co.uk/dp/B09RQZZG5C/> (Year: 2022).*

(Continued)

Primary Examiner — Susan Bennett Hattan
Assistant Examiner — Landon Thomas Cassell
(74) *Attorney, Agent, or Firm* — Sterne, Kessler,
Goldstein & Fox P.L.L.C.

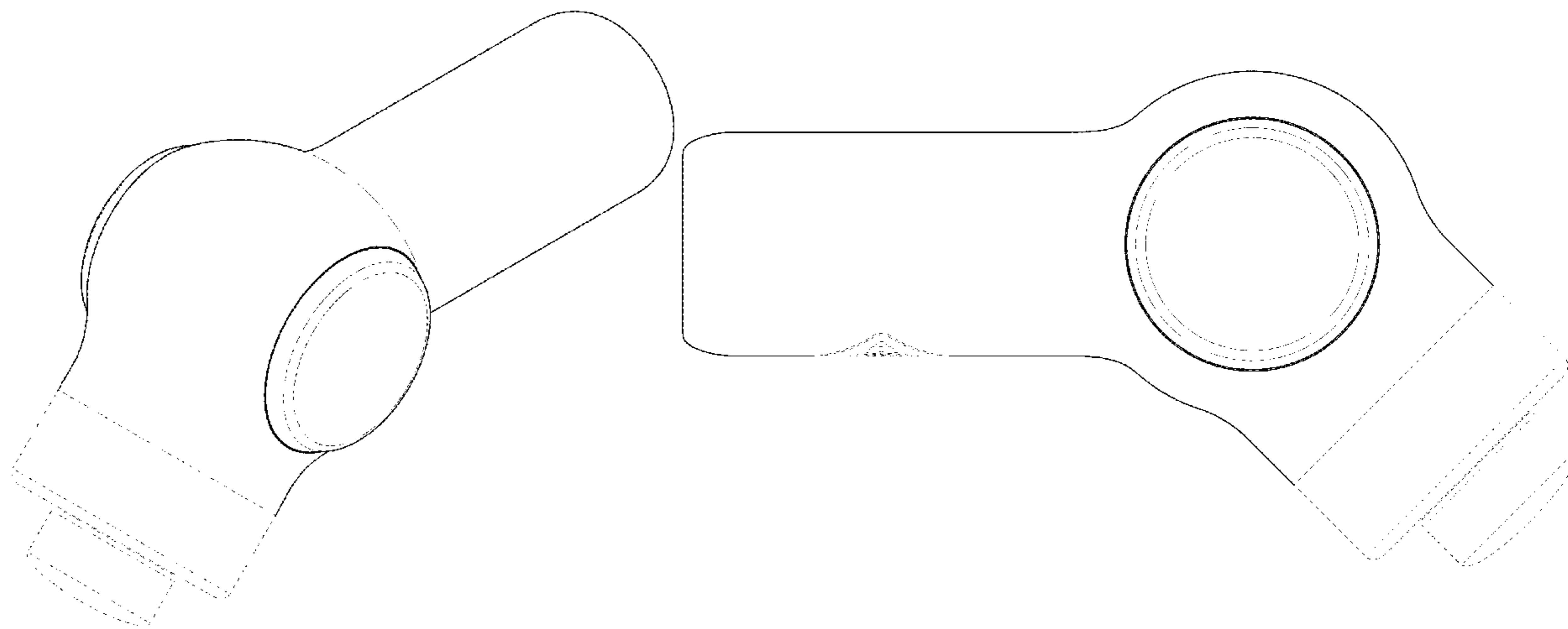
(57) **CLAIM**

The ornamental design for a massage device, as shown and described.

DESCRIPTION

FIG. 1 is a top front perspective view of a massage device showing the claimed design;
FIG. 2 is a bottom rear perspective view thereof;
FIG. 3 is a front elevation view thereof;
FIG. 4 is a rear elevation view thereof;
FIG. 5 is a right side elevation view thereof;
FIG. 6 is a left side elevation view thereof;
FIG. 7 is a top plan view thereof; and,
FIG. 8 is a bottom plan view thereof.
The broken lines in the figures show portions of the massage device that form no part of the claimed design.

1 Claim, 8 Drawing Sheets



(56)

References Cited

U.S. PATENT DOCUMENTS

2016/0074641 A1* 3/2016 Mehta A61H 23/02
604/315
2016/0184177 A1* 6/2016 Caberlotto A46B 13/02
601/114
2020/0390646 A1* 12/2020 Joh A61H 23/0245
2021/0401663 A1* 12/2021 Wersland A61H 23/02
2022/0211575 A1* 7/2022 Wersland A61H 23/0254

FOREIGN PATENT DOCUMENTS

CN	306219644	12/2020
CN	306361499	3/2021
CN	306415629	3/2021
EM	008170443-0002	10/2020
EM	008280309-0001	11/2020
EM	008281836-0001	11/2020
EM	008584502-0001	6/2021
EM	008585244-0001	6/2021
GB	9008170443-0002	9/2020
GB	6158191	9/2021
GB	6158192	9/2021
JP	D1705866	1/2022

OTHER PUBLICATIONS

MuscleGun—Carbon Go Massage Gun. Date: Nov. 25, 2020. [online]. [Site visited Sep. 16, 2022]. Available from Internet URL: <https://www.amazon.co.uk/dp/B08PZDLYVZ/> (Year: 2020).*

Massagers. (Design—© Questel) orbit.com. [Online PDF compilation of references] 45 pgs. Print Dates Range Dec. 18, 2020-Apr. 20, 2021 [Retrieved Sep. 16, 2022] <https://www.orbit.com/export/UCZAH96B/pdf4/9ea0f068-03f5-4d03-a17b-c6e343064236-190611.pdf> (Year: 2022).*

* cited by examiner

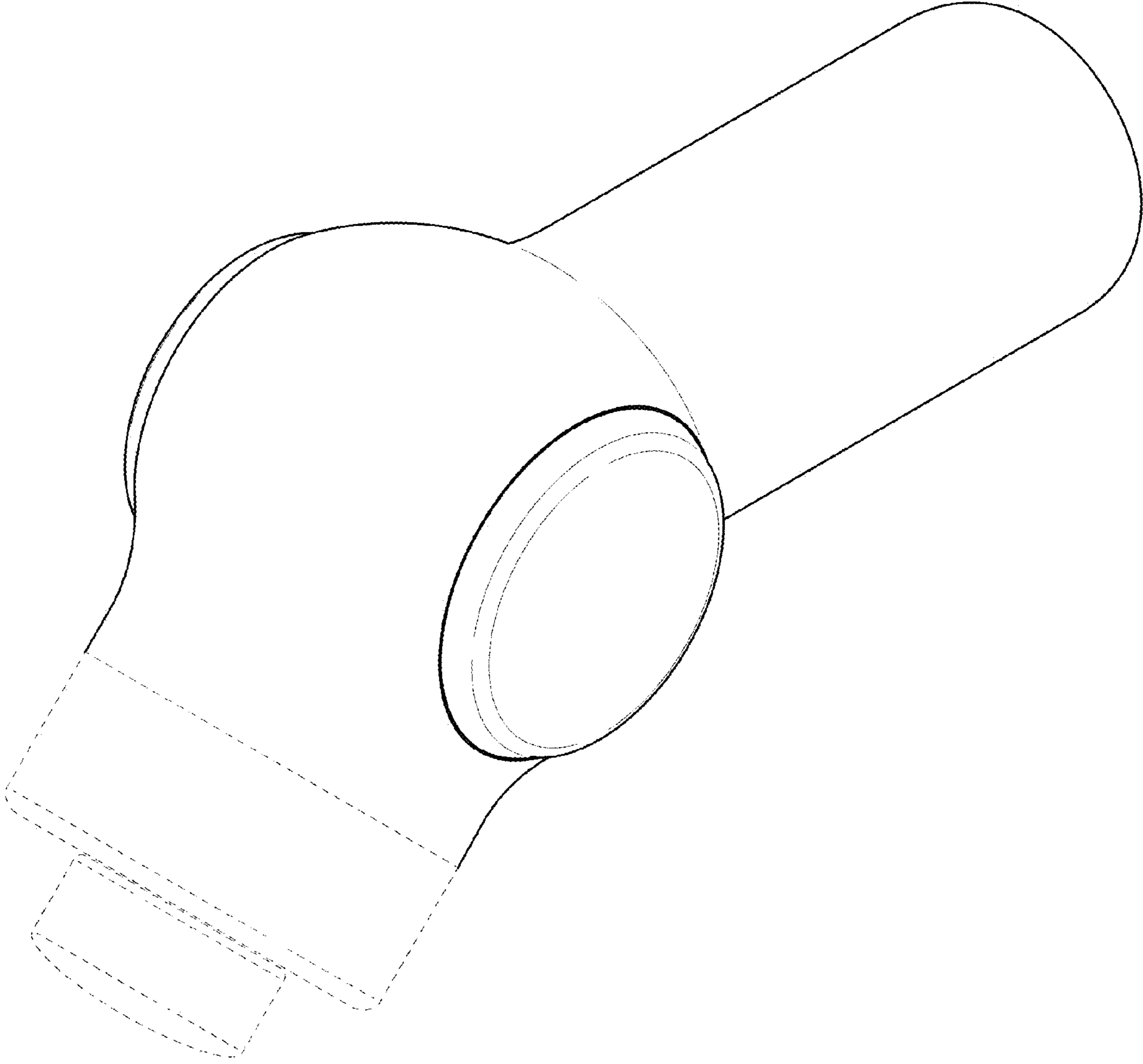


FIG. 1

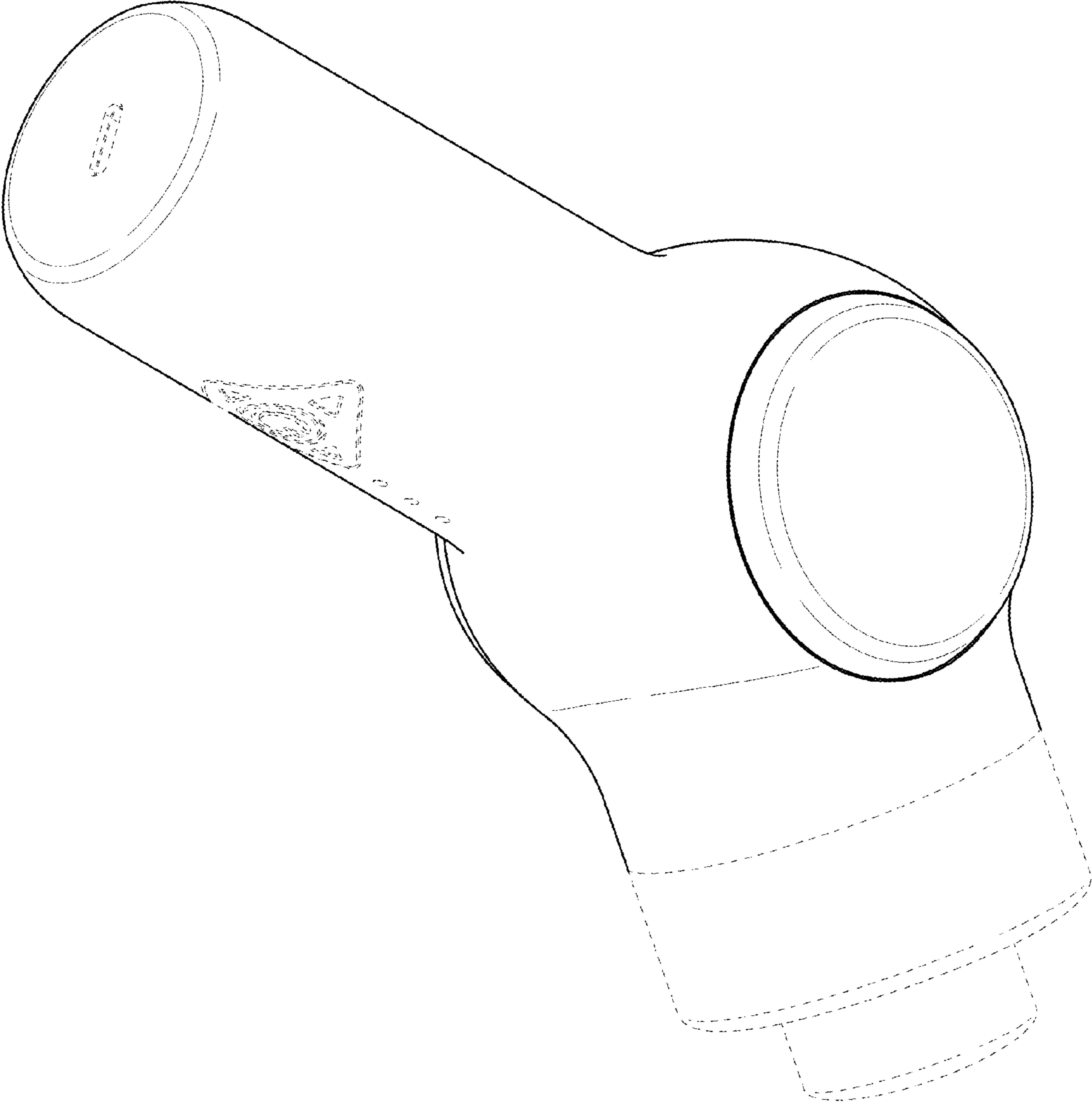


FIG. 2

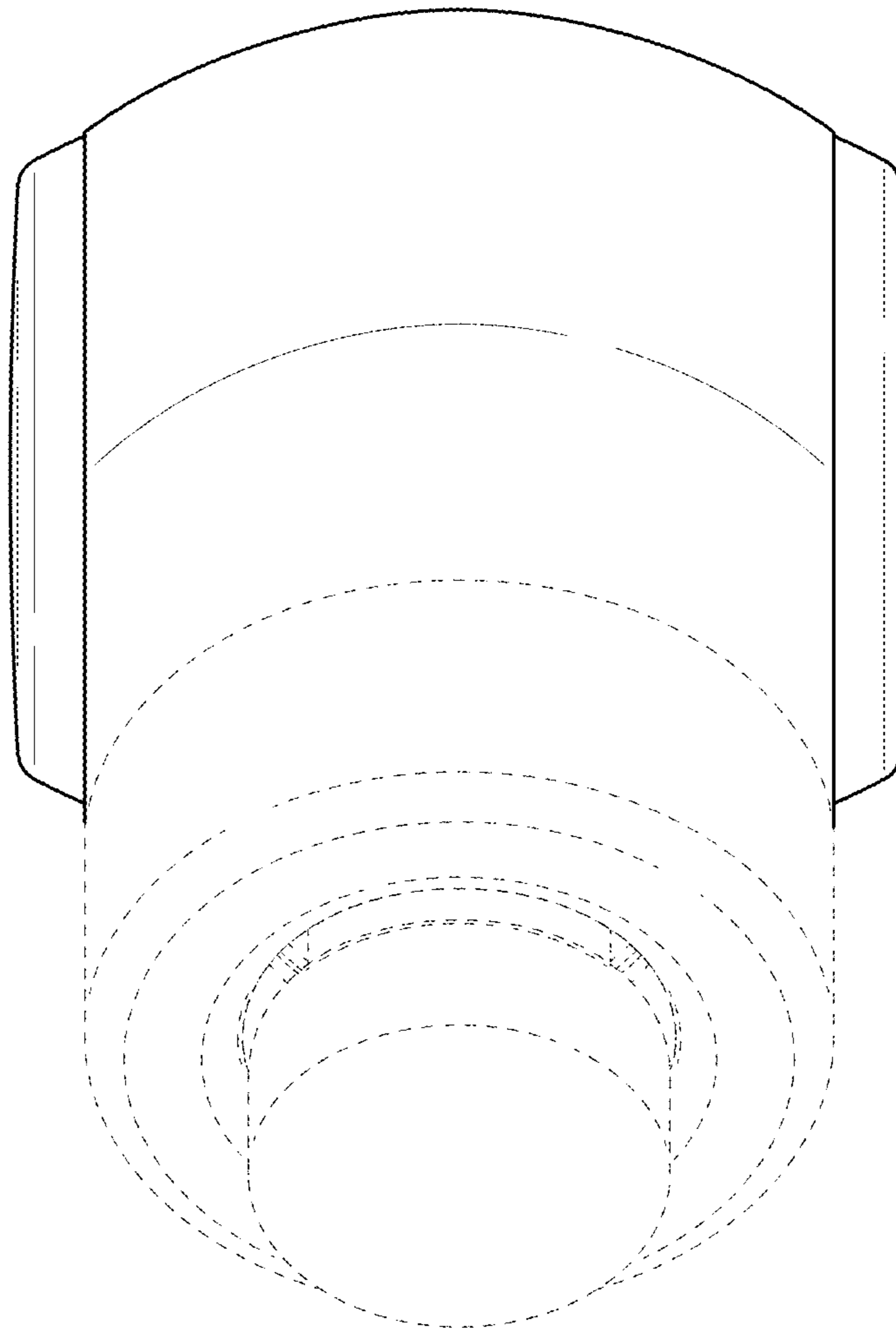


FIG. 3

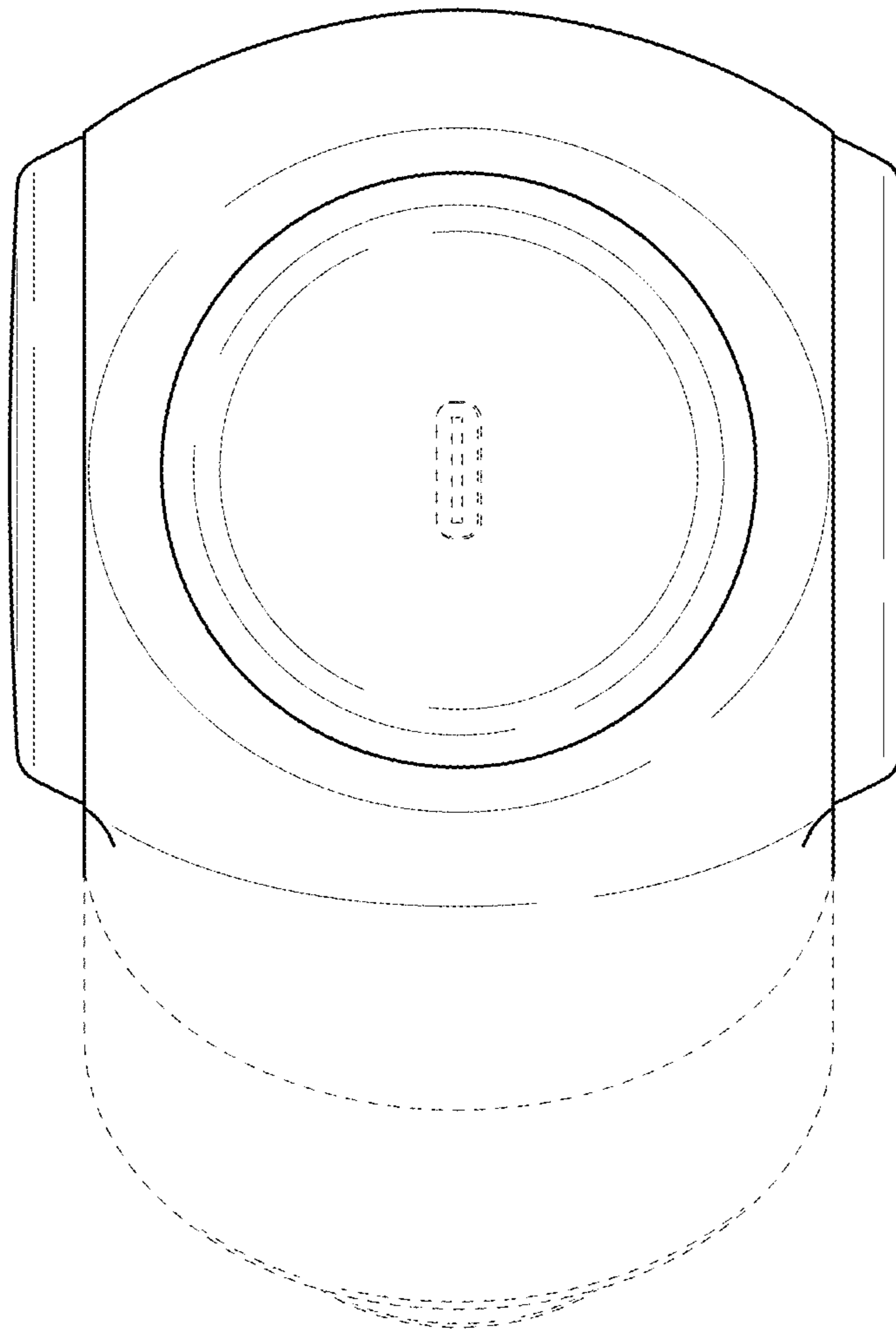


FIG. 4

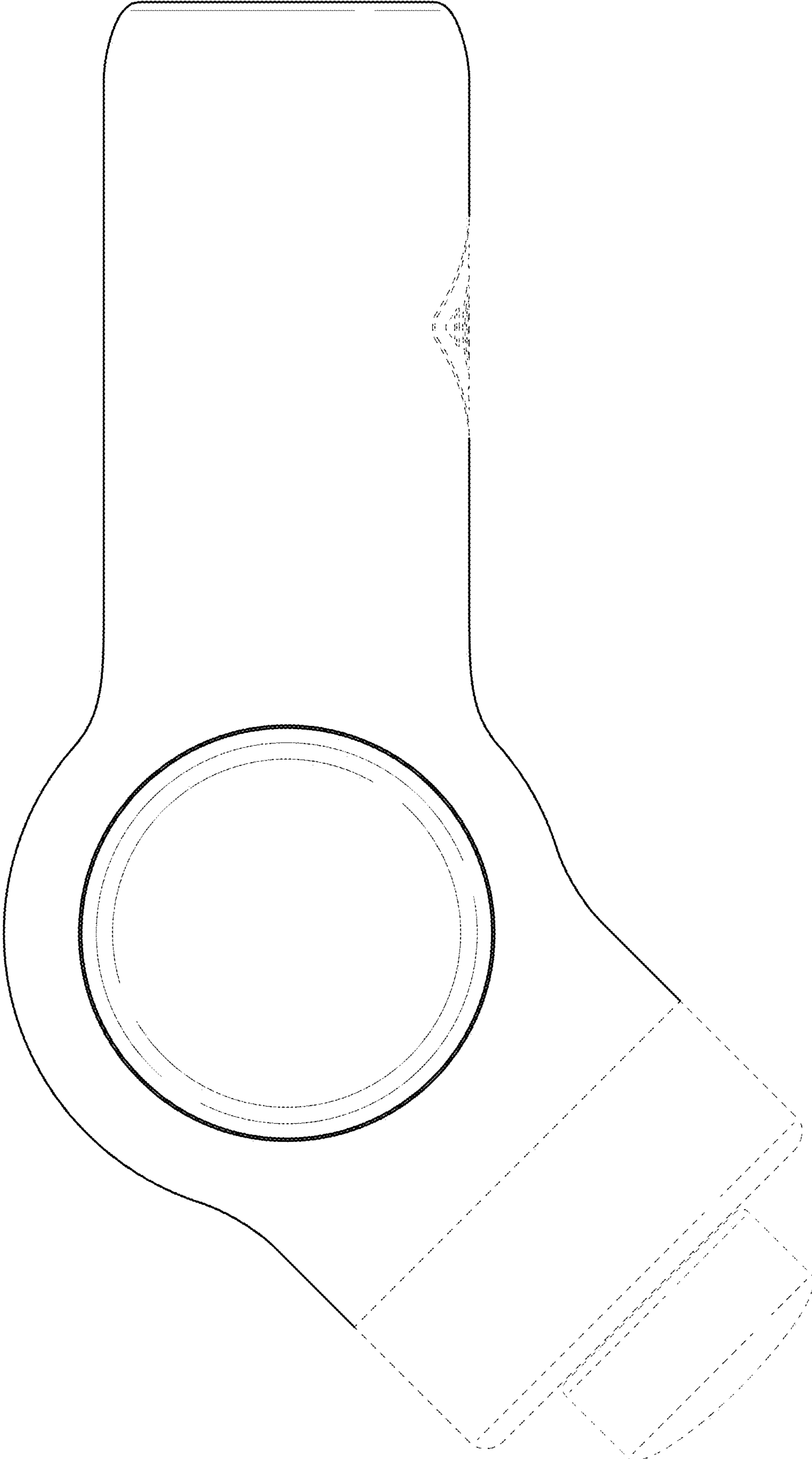


FIG. 5

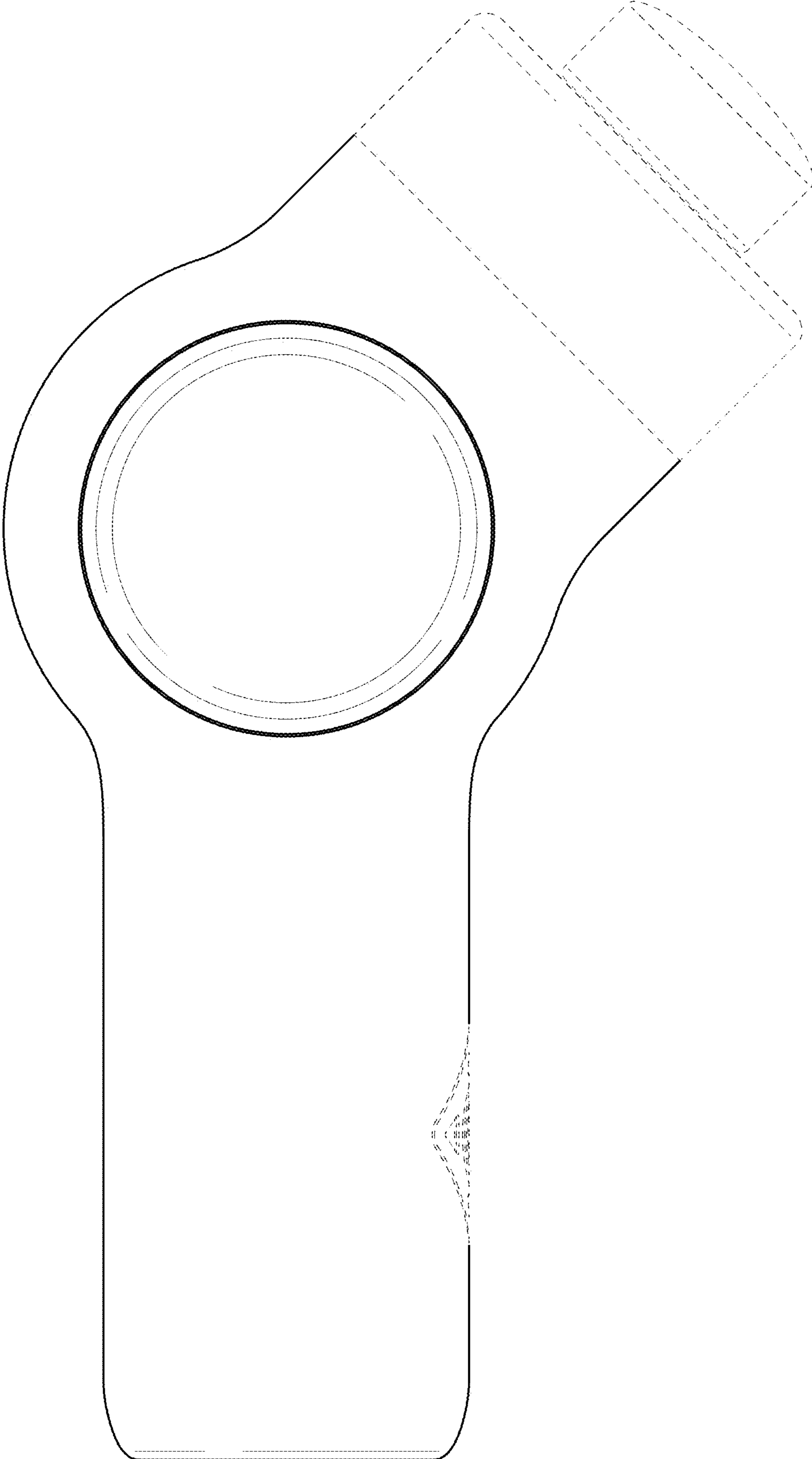


FIG. 6

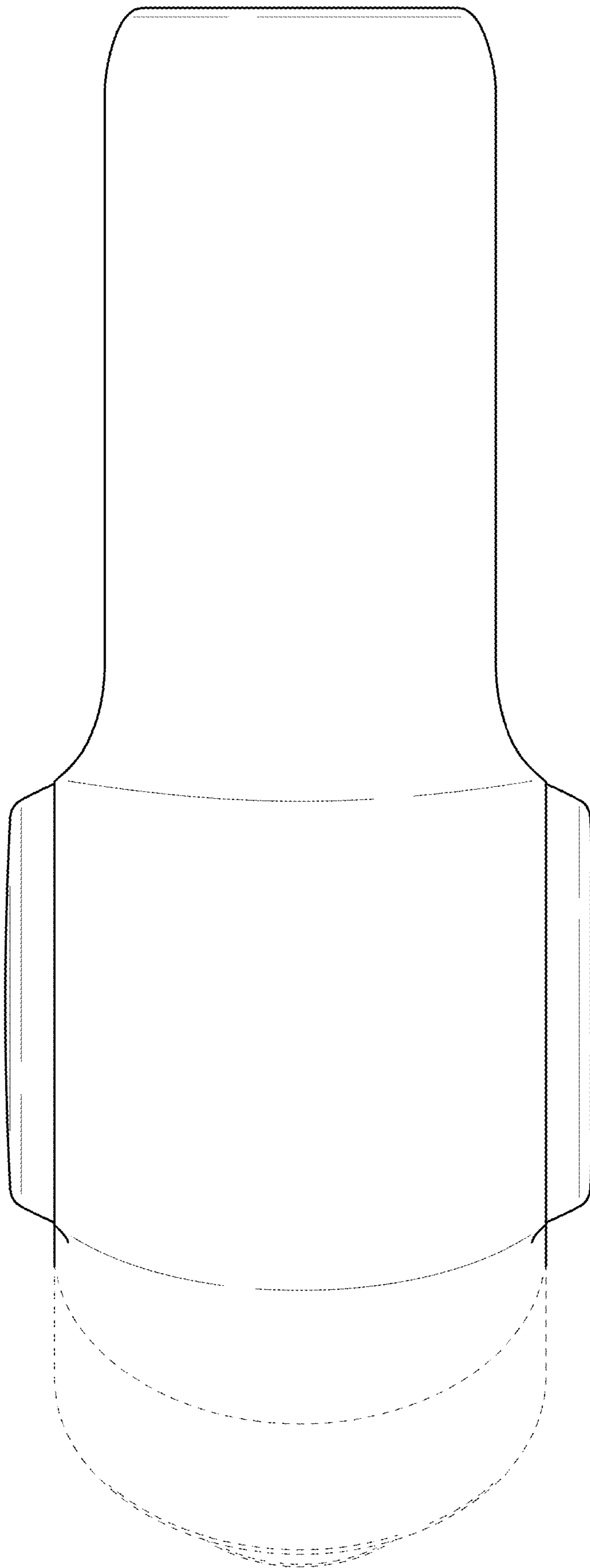


FIG. 7

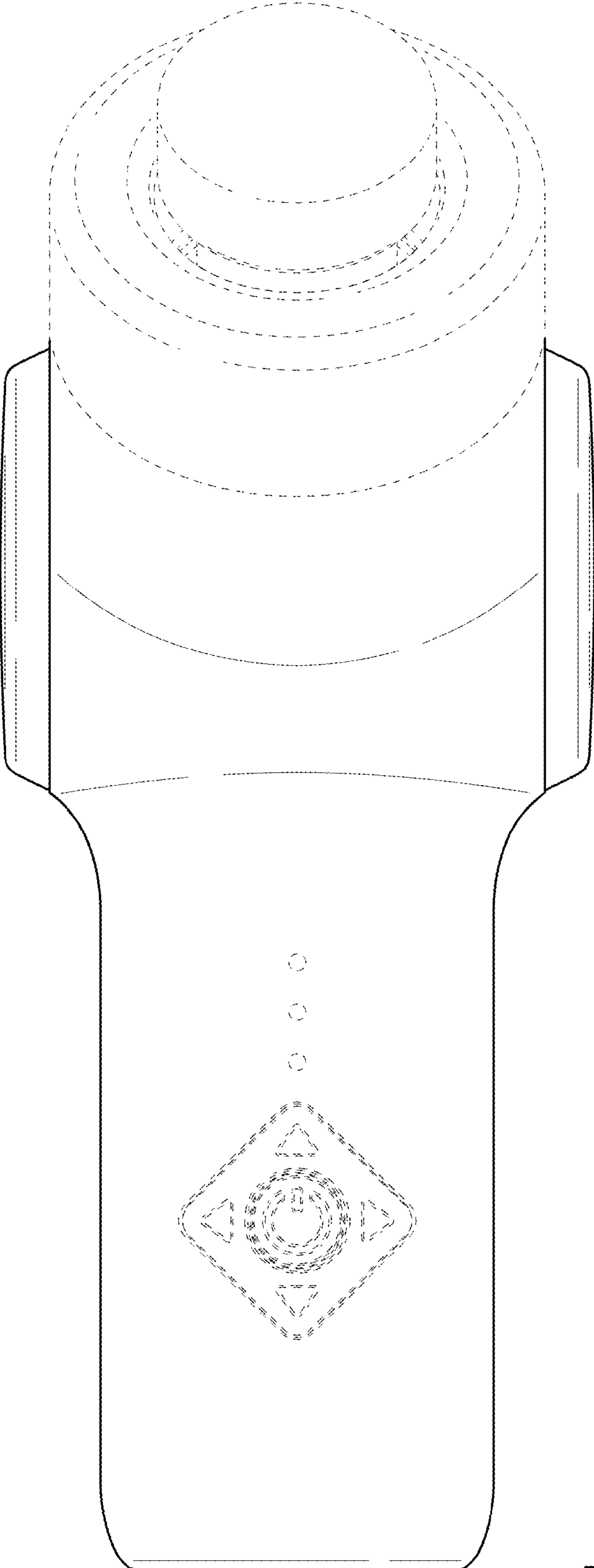


FIG. 8