



US00D977660S

(12) **United States Design Patent** (10) **Patent No.:** **US D977,660 S**
Zingg et al. (45) **Date of Patent:** **** Feb. 7, 2023**

(54) **LACTATION MASSAGER**
(71) Applicants: **Jenelle Zingg**, Cardiff, CA (US);
Timothy Fleming, Cardiff, CA (US)
(72) Inventors: **Jenelle Zingg**, Cardiff, CA (US);
Timothy Fleming, Cardiff, CA (US)
(**) Term: **15 Years**
(21) Appl. No.: **29/783,174**
(22) Filed: **May 11, 2021**
(51) **LOC (14) Cl.** **28-03**
(52) **U.S. Cl.**
USPC **D24/215**
(58) **Field of Classification Search**
USPC D24/133, 200, 211, 212, 213, 214, 215;
D30/160; D28/4, 7
CPC A61H 1/00; A61H 2201/0153; A61H
2201/169; A61H 7/002; A61H 7/007
See application file for complete search history.

(56) **References Cited**
U.S. PATENT DOCUMENTS
D369,220 S * 4/1996 Huang D24/215
D466,217 S * 11/2002 Harris D24/215
D469,183 S * 1/2003 Gerth D24/200
D517,218 S * 3/2006 Kalen D24/215
D539,917 S * 4/2007 Park D24/215
D576,736 S * 9/2008 Hagege D24/215
D626,656 S * 11/2010 Jarry D24/215
D631,974 S * 2/2011 Imboden D24/215
D657,885 S * 4/2012 Imboden D24/215
D664,665 S * 7/2012 Wahng D24/214
D665,091 S * 8/2012 Mistry D24/215
D687,157 S * 7/2013 Matsuura D24/215
D687,560 S * 8/2013 Matsuura D24/215
D727,523 S * 4/2015 Qian D24/215
(Continued)

OTHER PUBLICATIONS
Amazon, "Lumama Pro Warming Lactation Massager", Earliest
Review Date: Feb. 9, 2022. <https://www.amazon.com/Warming->

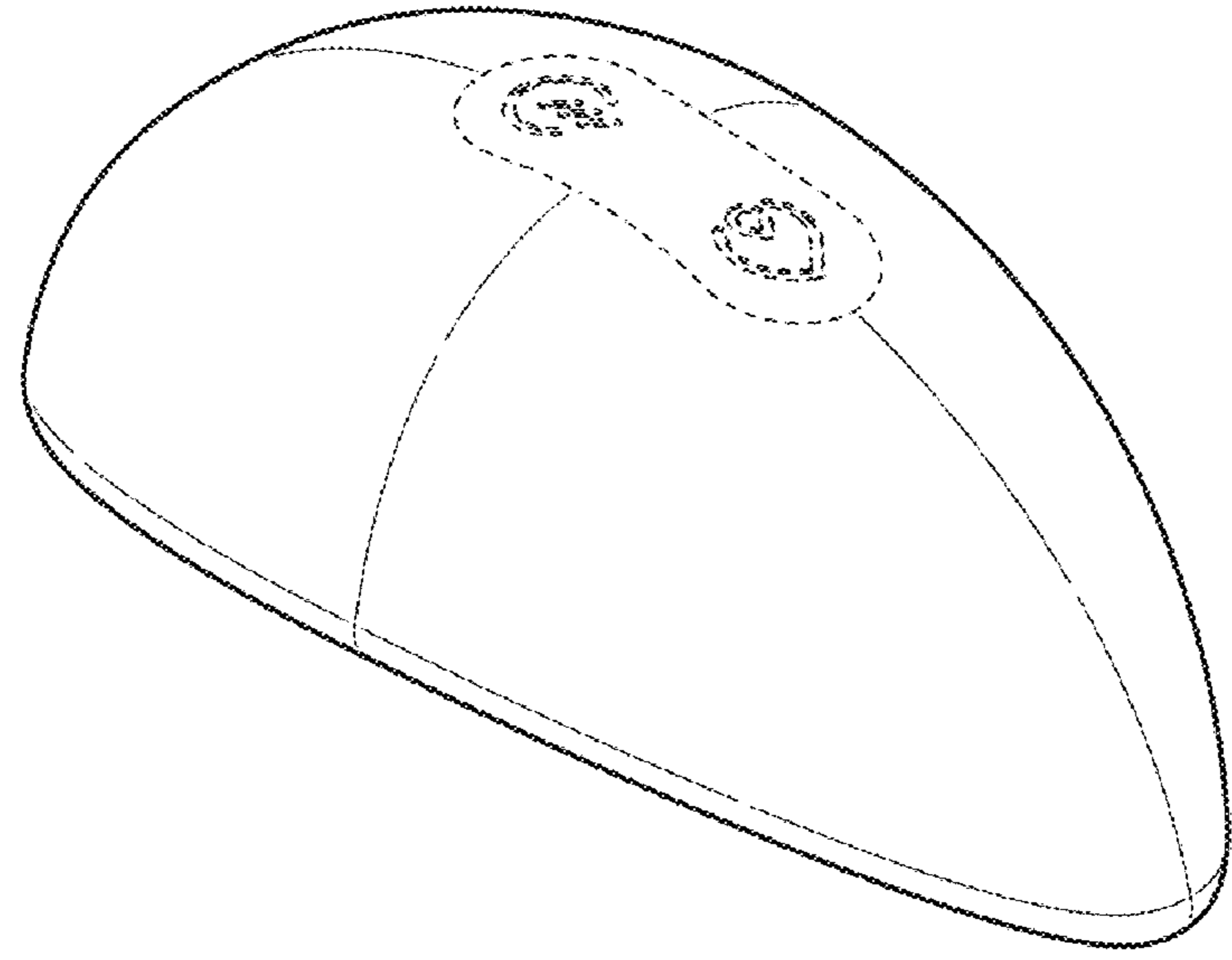
Lactation-Massager-Breastfeeding-Engorgement/dp/B09JYP64C8/
ref=cm_cr_arp_d_product_top?ie=UTF8 (Year: 2022).*
(Continued)

Primary Examiner — Michael A Maharajh
(74) *Attorney, Agent, or Firm* — Taboada Law Firm,
PLLC; John M. Taboada

(57) **CLAIM**
The ornamental design of a lactation massager, substantially
as shown and described.

DESCRIPTION
FIG. 1 is a top perspective view of the lactation massager in
accordance with the present invention;
FIG. 2 is a bottom perspective view of the lactation mas-
sager of FIG. 1;
FIG. 3 is a front side elevational view of the lactation
massager of FIG. 1;
FIG. 4 is a back side elevational view of the lactation
massager of FIG. 1;
FIG. 5 is a left side elevational view of the lactation
massager of FIG. 1;
FIG. 6 is a right side elevational view of the lactation
massager of FIG. 1;
FIG. 7 is a top plan view of the lactation massager of FIG.
1;
FIG. 8 is a bottom plan view of the lactation massager FIG.
1; and,
FIG. 9 is a bottom perspective view of the lactation mas-
sager of FIG. 1, shown in a charging cradle.
The broken lines shown in FIGS. 1 through 7 of the
drawings are for the purpose of illustrating portions of the
lactation massager which form no part of the claimed design.
The broken lines shown in FIG. 9 of the charging cradle are
for the purpose of illustrating environmental structure which
form no part of the claimed design.

1 Claim, 4 Drawing Sheets



(56)

References Cited

U.S. PATENT DOCUMENTS

D840,047 S *	2/2019	Koo	D24/215
D856,525 S *	8/2019	Dunham	D24/215
D861,829 S *	10/2019	Wang	D23/215
D861,910 S *	10/2019	Wang	D24/215
D867,609 S *	11/2019	Couto	D24/215
D907,228 S *	1/2021	Weinberg	D24/215
D928,333 S *	8/2021	Song	D24/214
D939,102 S *	12/2021	Niedermann	D24/215
D950,764 S *	5/2022	Dumler	D24/215

OTHER PUBLICATIONS

Mammaease, "Lumama Pro Lactation", Access Date: Sep. 13, 2022.
<https://www.mammaease.com/products/pre-order-lumama-pro-warming-lactation-massager> (Year: 2022).*

* cited by examiner

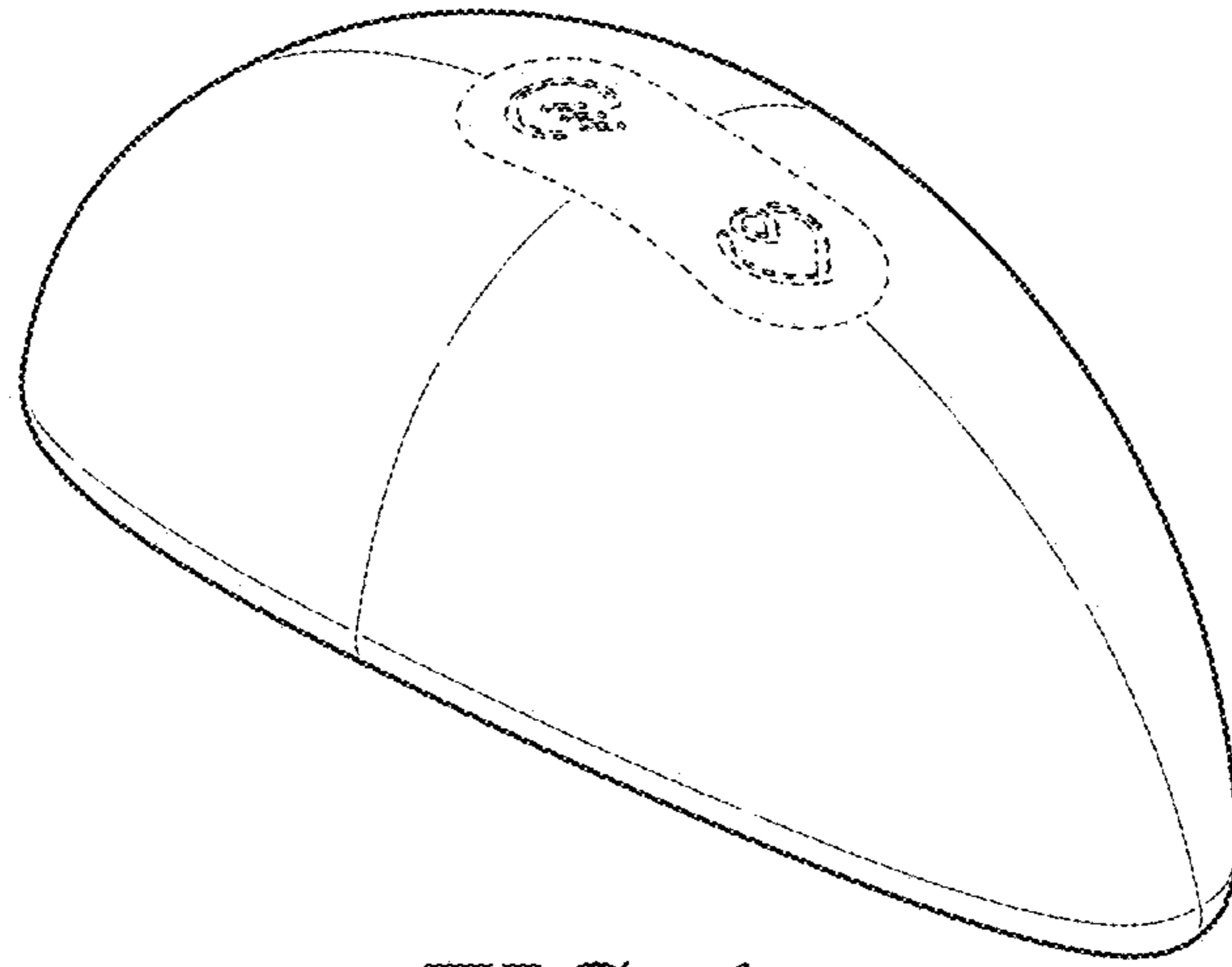


FIG. 1

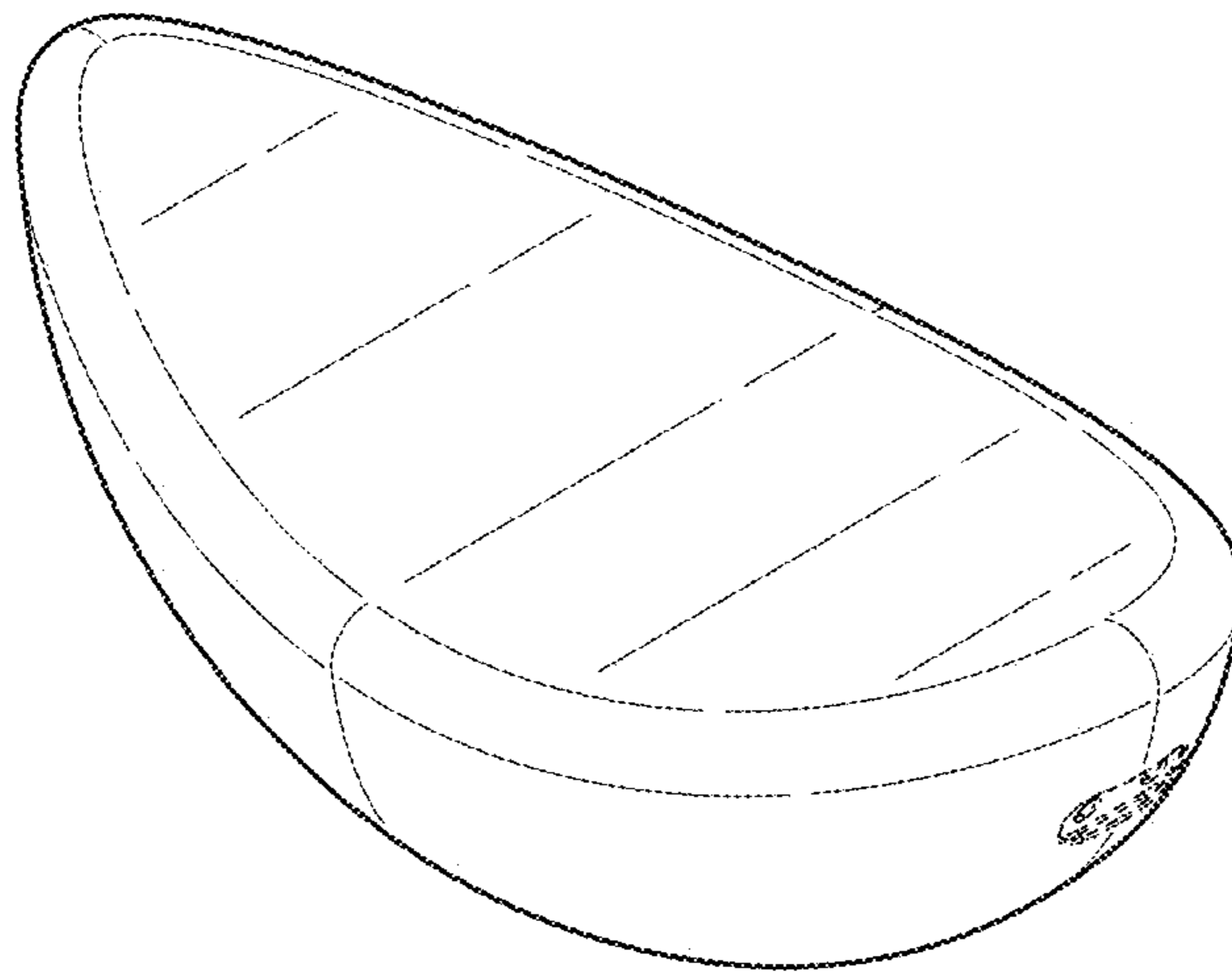


FIG. 2

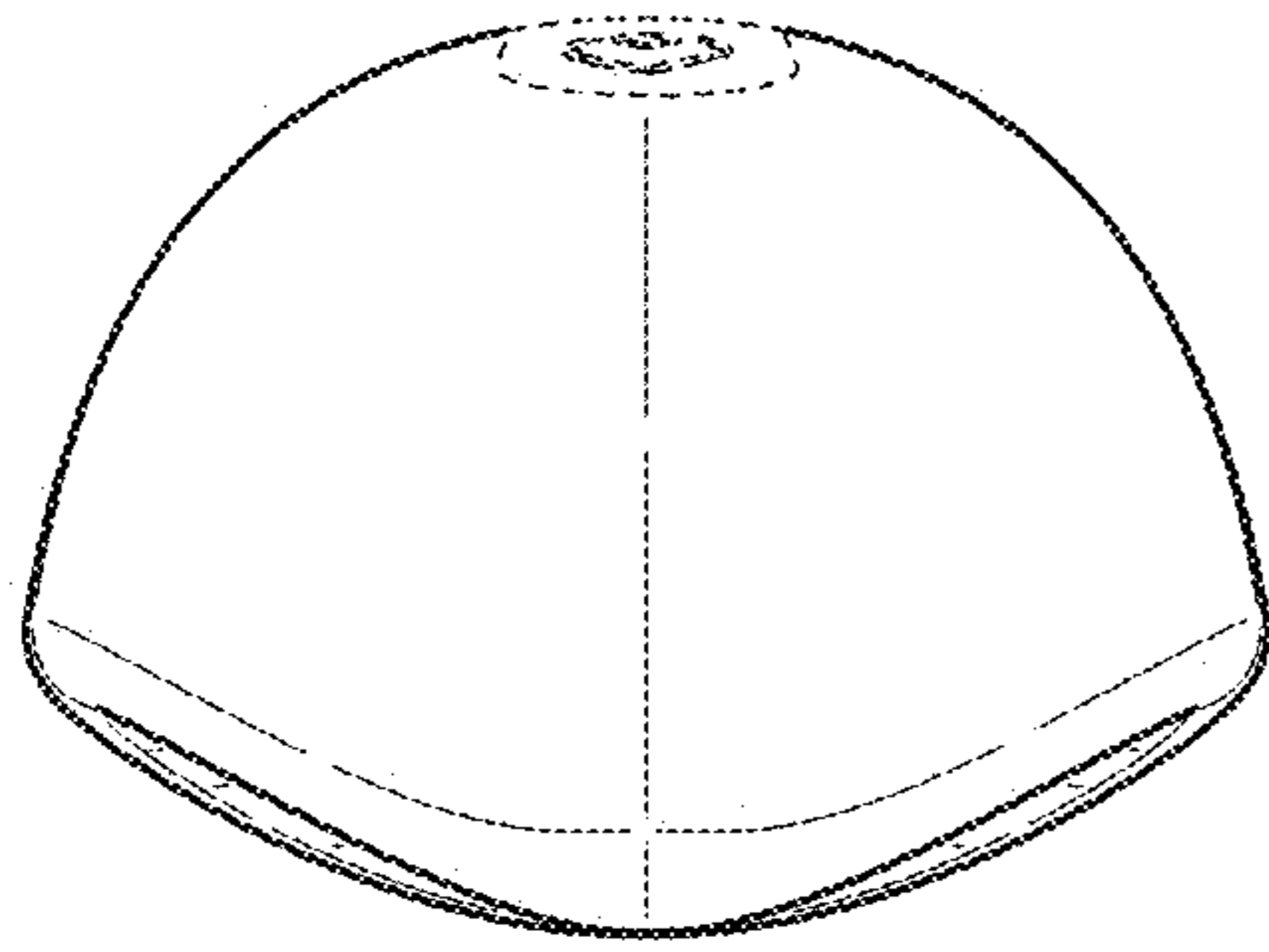


FIG. 3

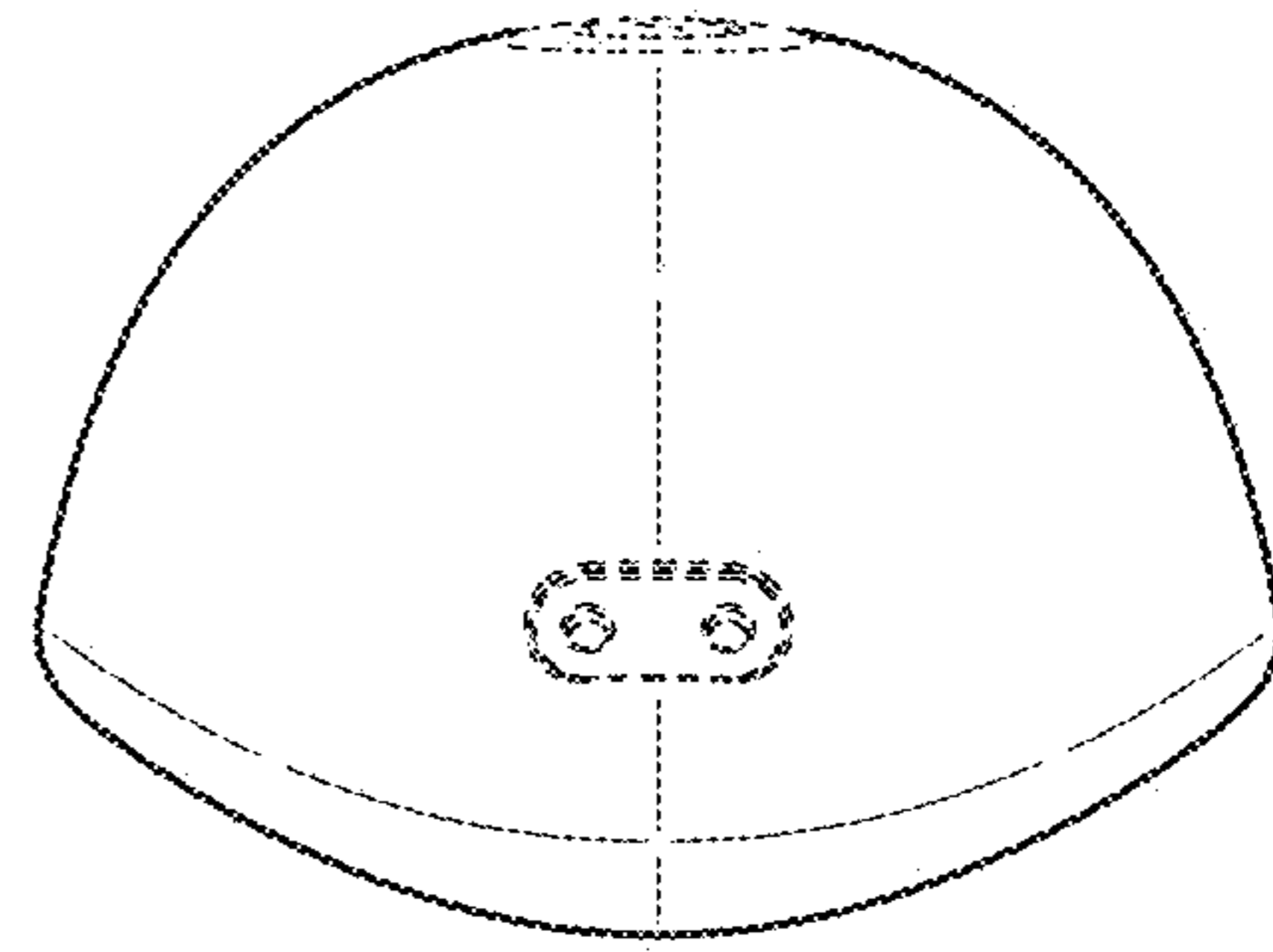


FIG. 4

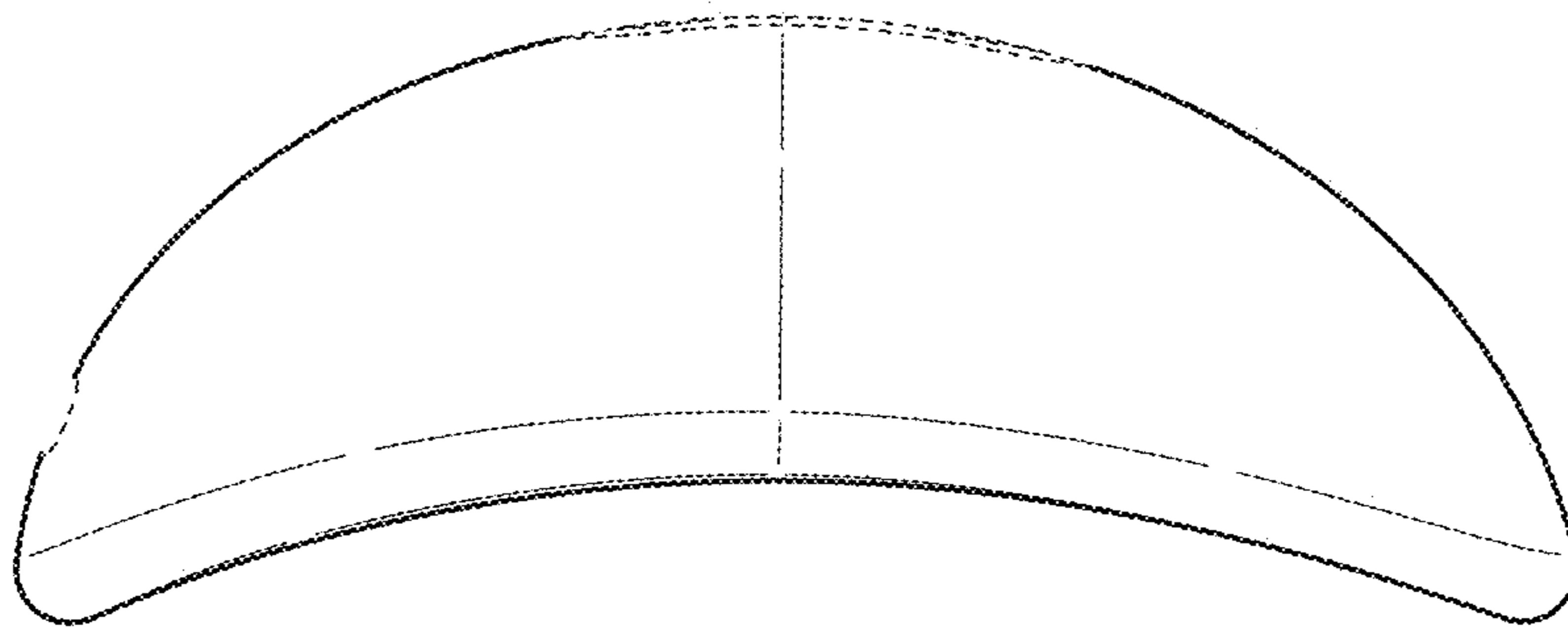


FIG. 5

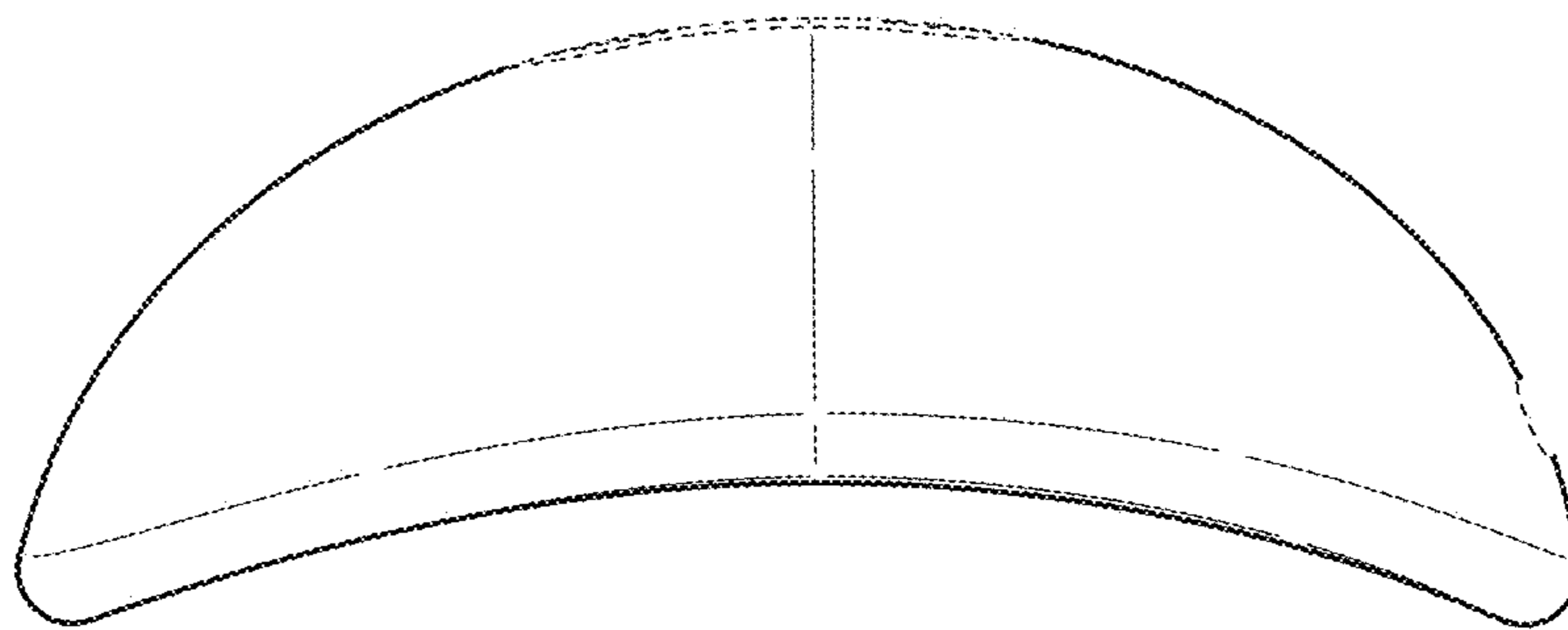


FIG. 6

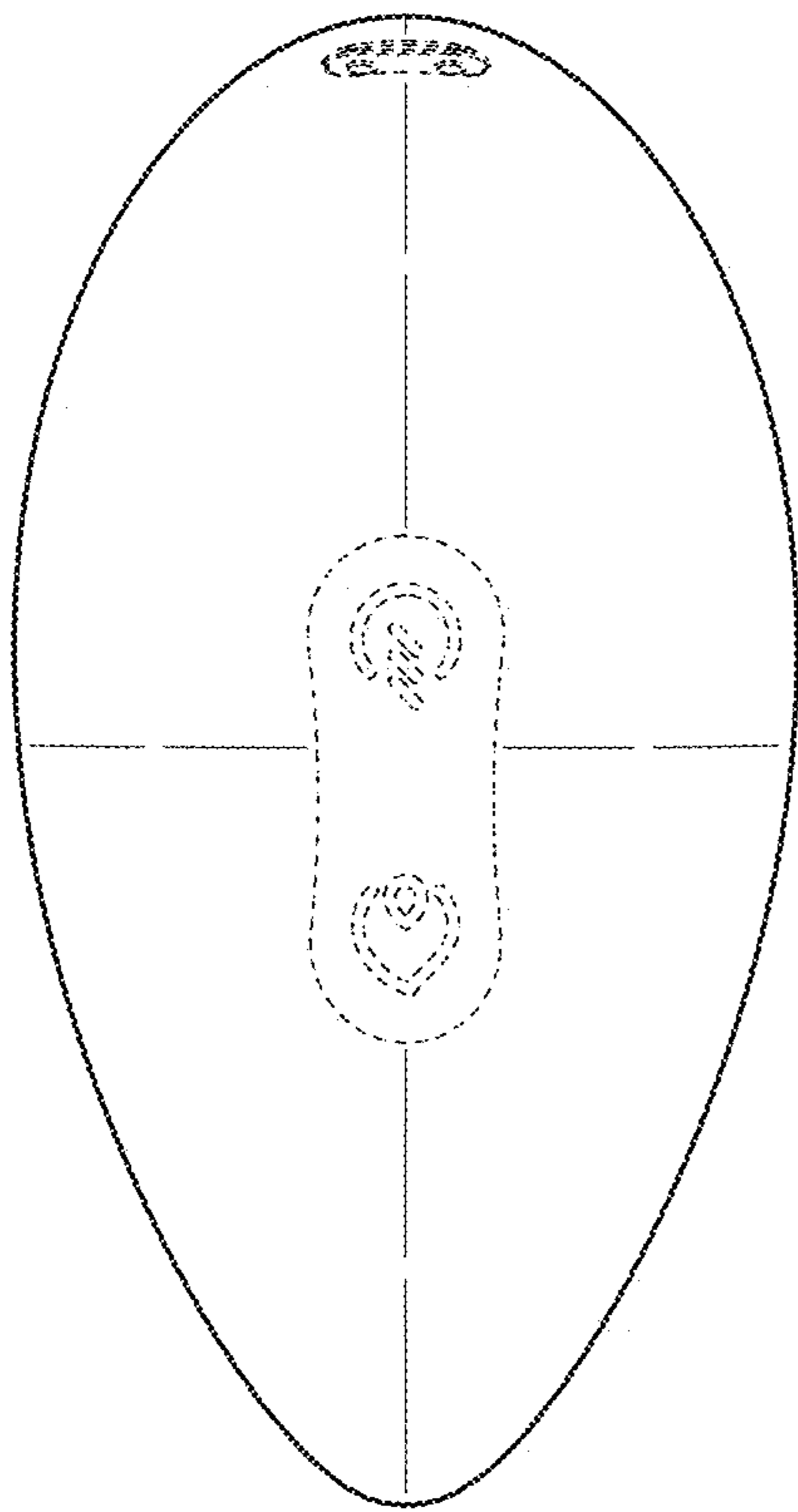


FIG. 7

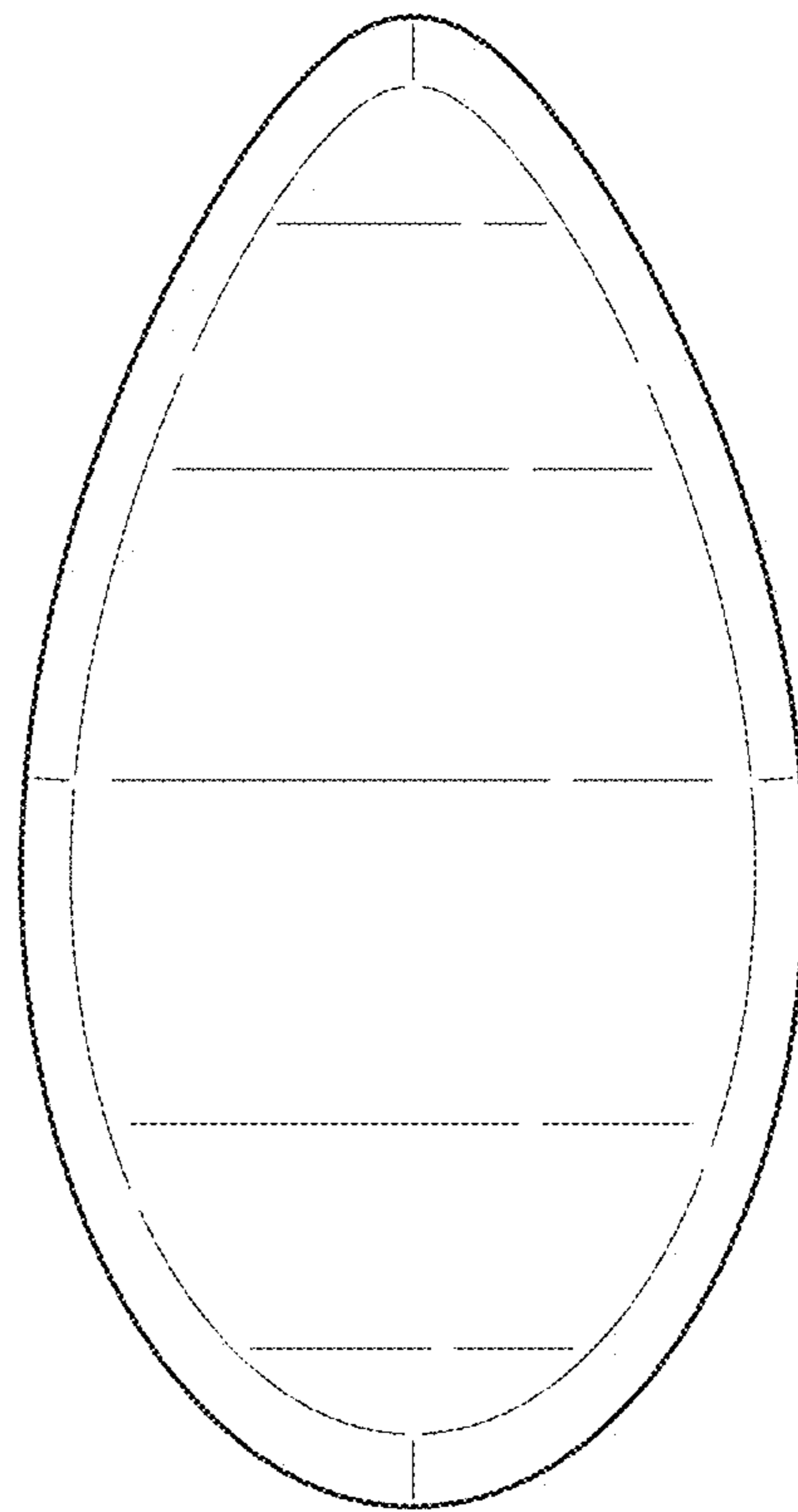


FIG. 8

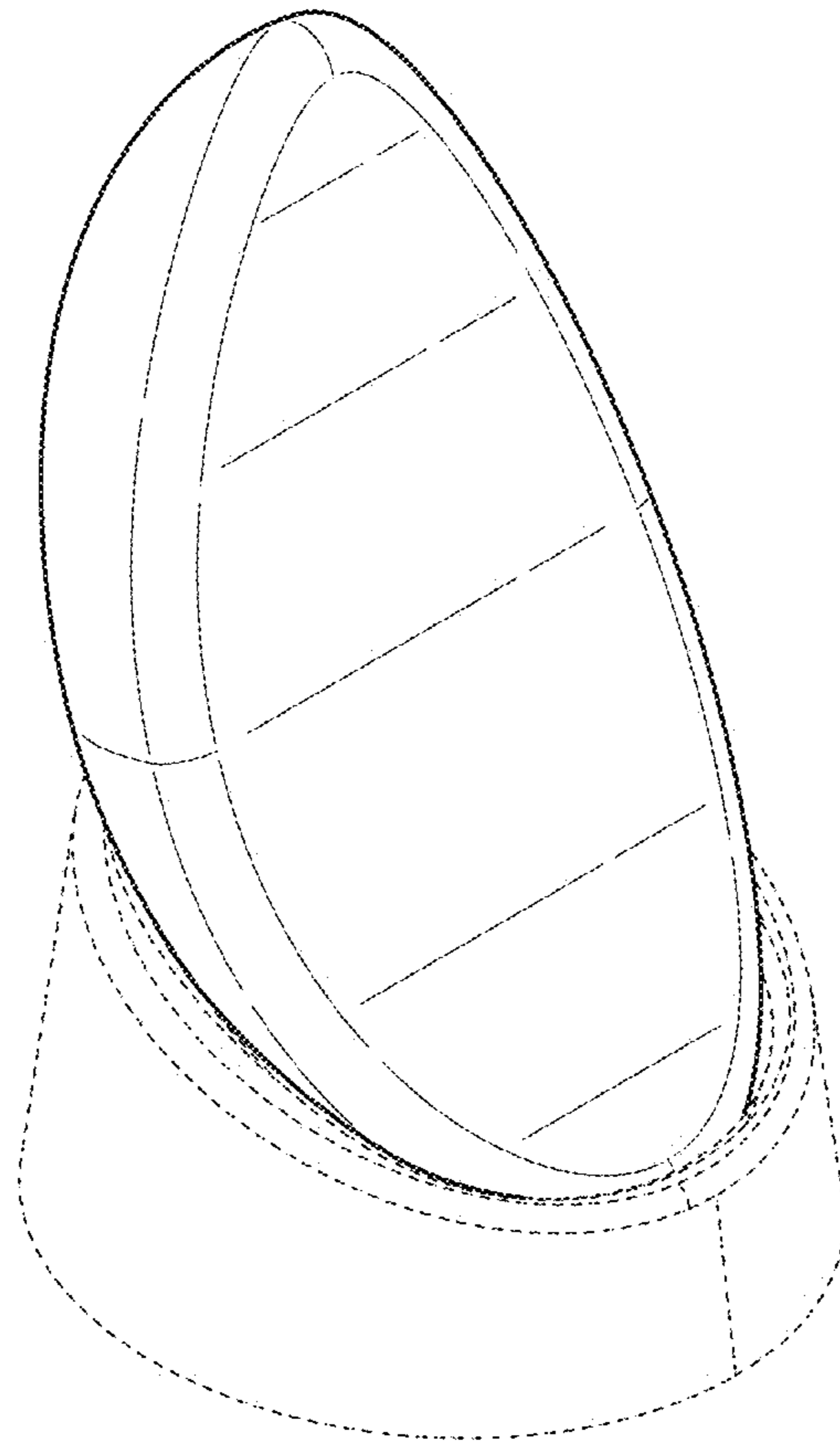


FIG. 9