



US00D977659S

(12) **United States Design Patent** (10) **Patent No.:** **US D977,659 S**
Bridge (45) **Date of Patent:** **** Feb. 7, 2023**

(54) **FOOT THERAPY DEVICE**

(71) Applicant: **Actegy Health Limited**, Weybridge (GB)

(72) Inventor: **Joel Thomas Bridge**, Bracknell (GB)

(**) Term: **15 Years**

(21) Appl. No.: **29/762,918**

(22) Filed: **Dec. 18, 2020**

(51) **LOC (14) Cl.** **28-03**

(52) **U.S. Cl.**
USPC **D24/213**

(58) **Field of Classification Search**

USPC D24/215, 200, 211, 212, 213, 214, 107,
D24/231, 188, 201, 202, 203; D21/671
CPC .. A61H 1/00; A61H 15/00; A61H 2015/0007;
A61H 2015/0014; A61H 33/00; A61H
35/00; A61H 35/006; A61H 2205/12;
A61H 2205/10; A61H 2205/106; A61H
2201/164; A61H 2201/1642

See application file for complete search history.

(56) **References Cited**

U.S. PATENT DOCUMENTS

D280,934 S *	10/1985	MacGregor	D24/212
D367,931 S *	3/1996	Shimizu	D24/212
D435,111 S *	12/2000	Kuo	D24/213
D596,750 S *	7/2009	Lev	D24/212
D625,021 S *	10/2010	Stoddard	D24/212
D630,336 S *	1/2011	Park	D24/213
D701,612 S *	3/2014	Robinson	D24/213
D713,969 S *	9/2014	Robinson	D24/200
D746,482 S *	12/2015	Ho	D24/213
D817,501 S *	5/2018	Wei	D24/188

D848,623 S *	5/2019	Franche	D24/188
D931,485 S *	9/2021	Ho	D24/213
2017/0014263 A1 *	1/2017	Sedic	A61F 6/04

OTHER PUBLICATIONS

Revitive—Essential Circulation Booster. Date: Oct. 1, 2020. [online]. [Site visited Mar. 17, 2022]. Available from Internet URL: <https://www.amazon.ca/dp/B08JRN6VT7/> (Year: 2020).*

Foot devices. (Design—© Questel) orbit.com. [Online PDF compilation of references] 32 pgs. Print Dates Range Apr. 30, 2014-May 8, 2020 [Retrieved Mar. 17, 2022] <https://www.orbit.com/export/UCZAH96B/pdf4/5b9047b9-75e9-48bc-907d-2759bc677dc2-181652.pdf> (Year: 2022).*

* cited by examiner

Primary Examiner — Susan Bennett Hattan

Assistant Examiner — Landon Thomas Cassell

(74) *Attorney, Agent, or Firm* — Legends Law Group, PLLC; Stephen H. Bean, Esq.

(57) **CLAIM**

I claim the ornamental design for a foot therapy device, as shown and described.

DESCRIPTION

FIG. 1 is a top-rear-left perspective view of a foot therapy device showing my new design;

FIG. 2 is a front view thereof;

FIG. 3 is a rear view thereof;

FIG. 4 is a left-side view thereof;

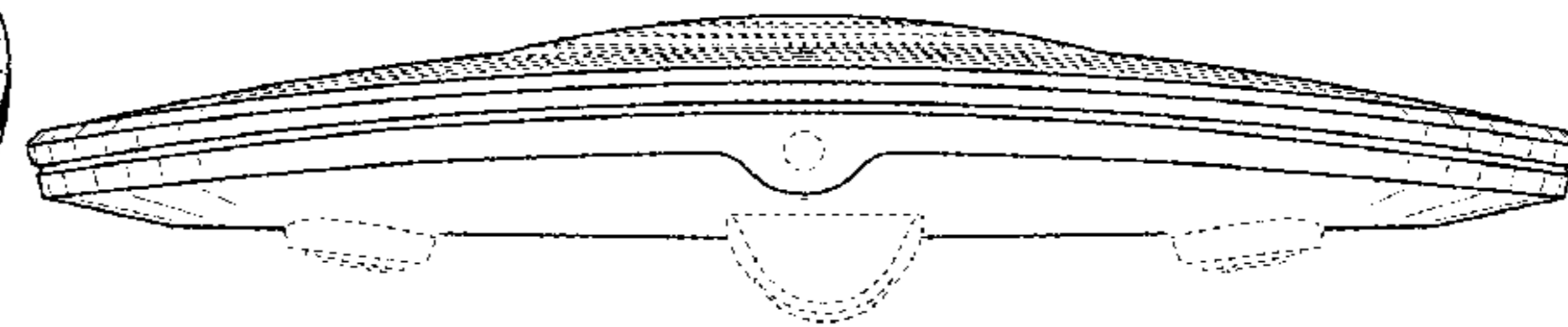
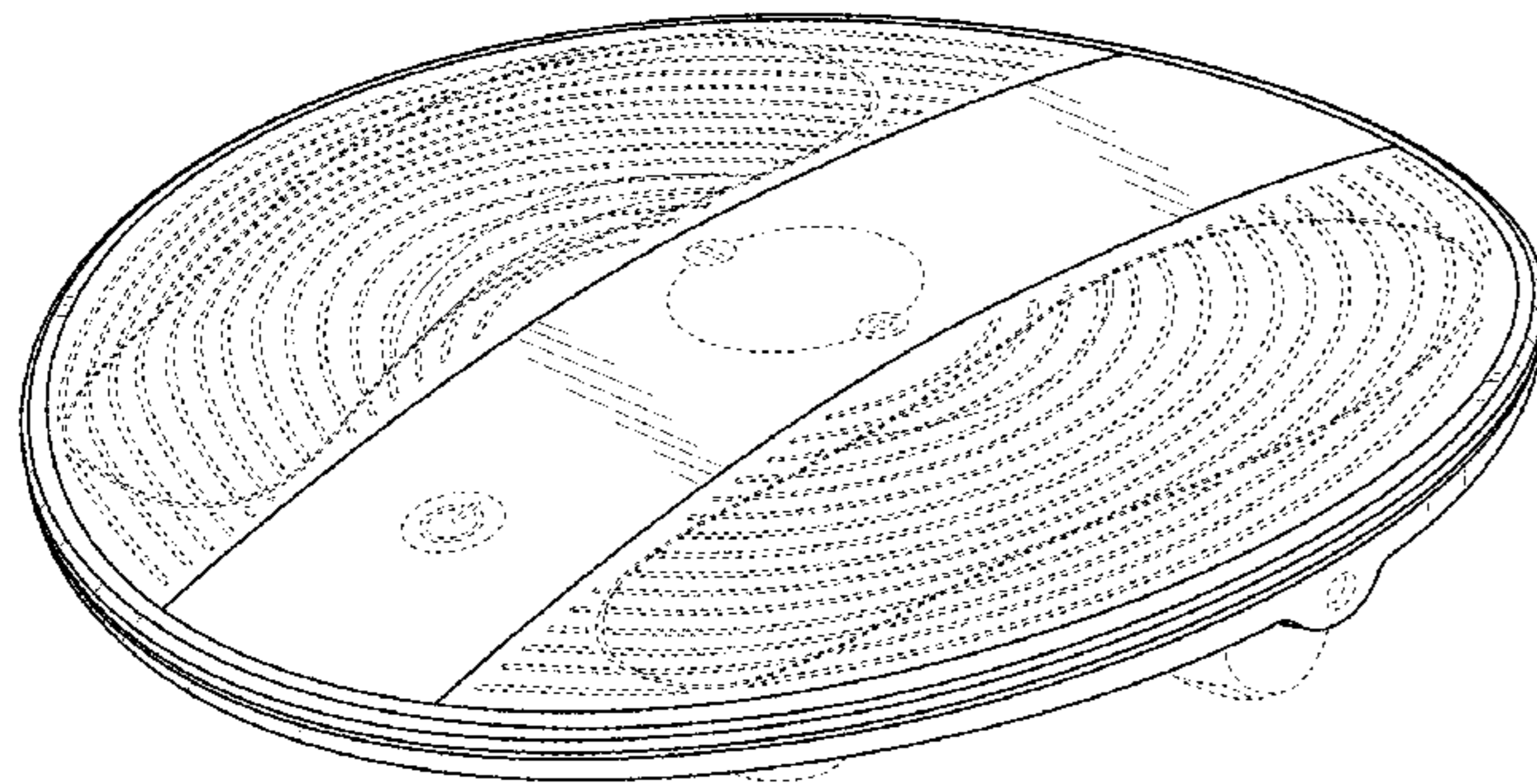
FIG. 5 is a right-side view thereof;

FIG. 6 is a top view thereof; and,

FIG. 7 is a bottom view thereof.

The broken line showing on portions of the foot therapy device depicts environment and forms no part of the claim.

1 Claim, 4 Drawing Sheets



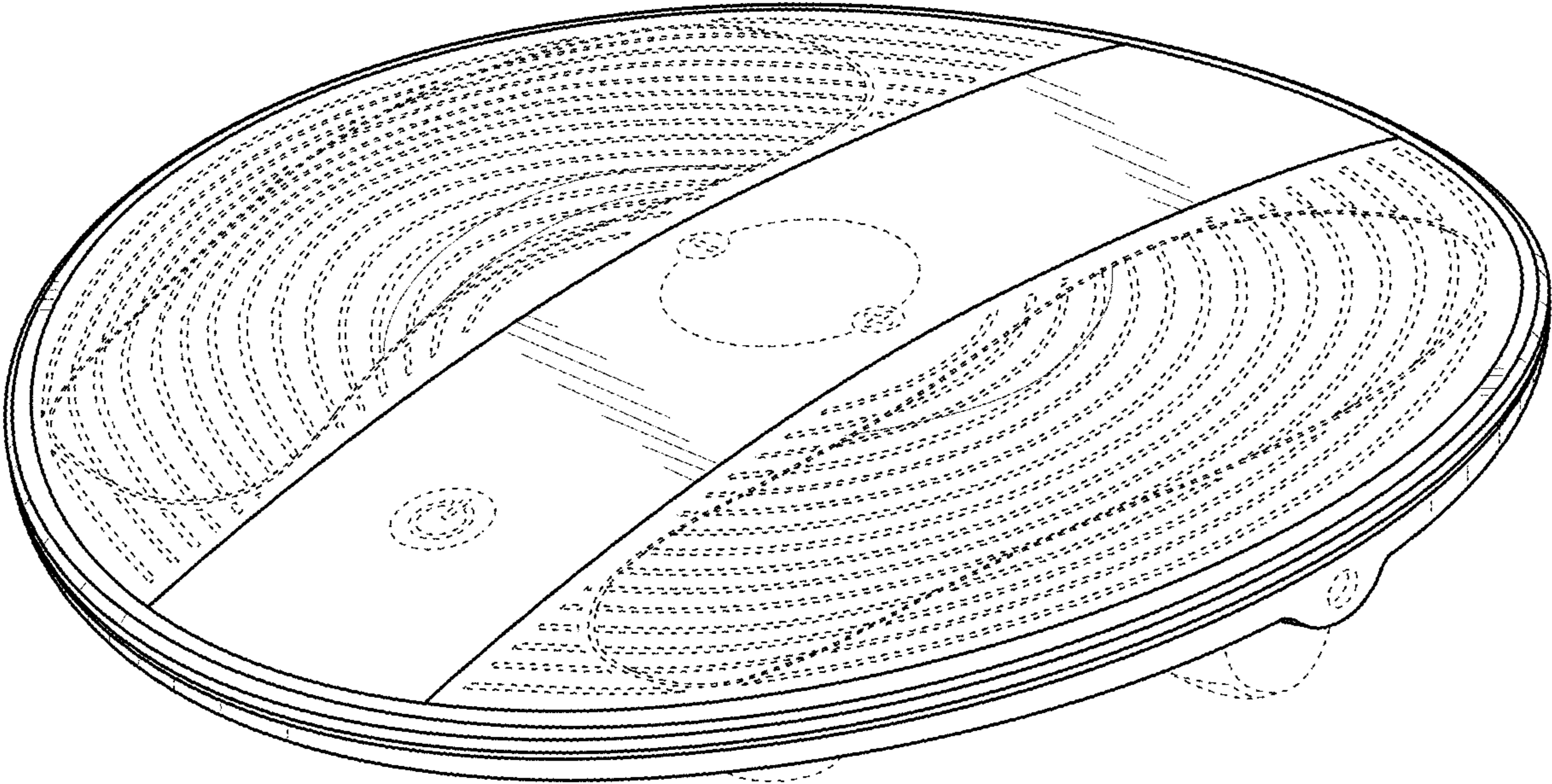


FIG. 1

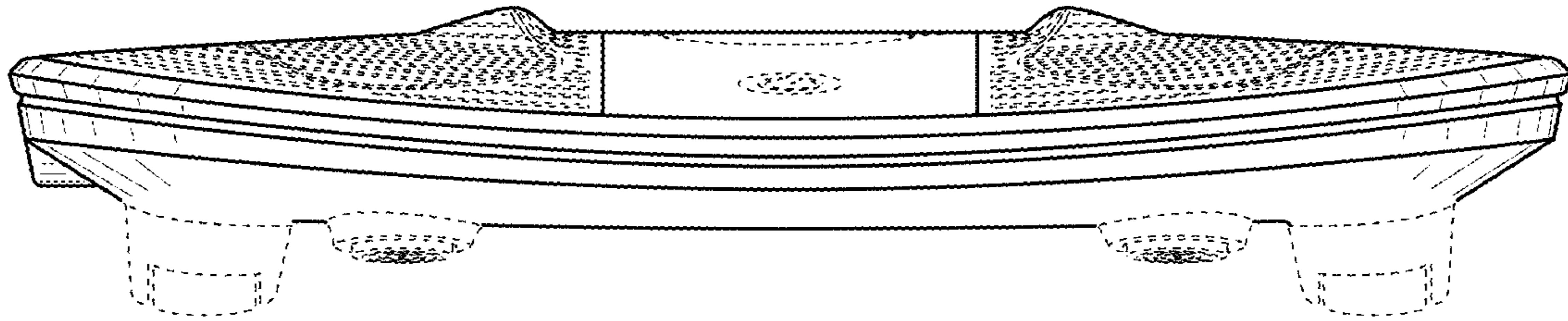


FIG. 2

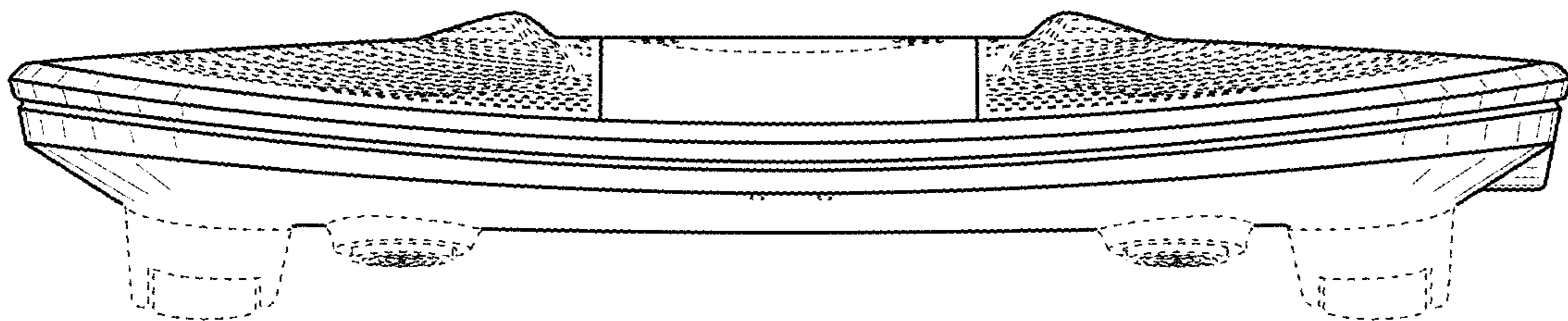


FIG. 3

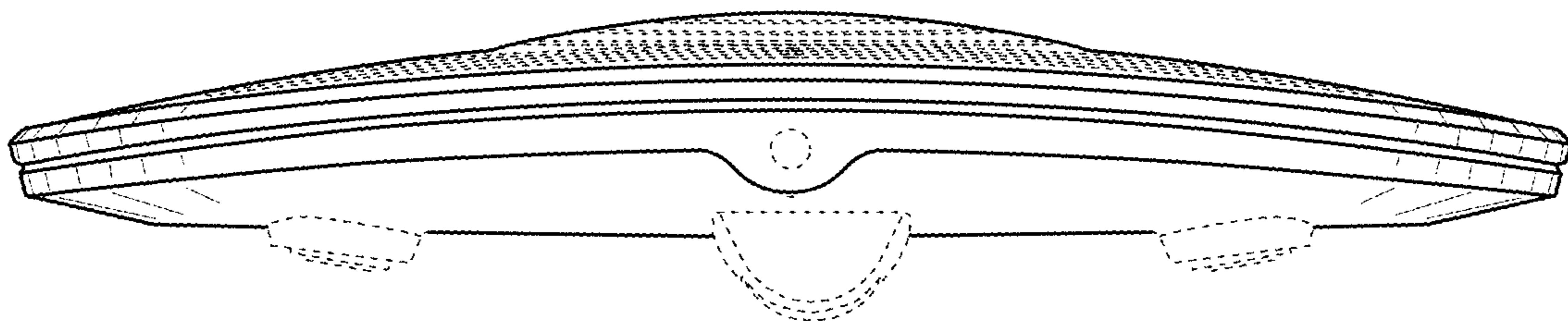


FIG. 4

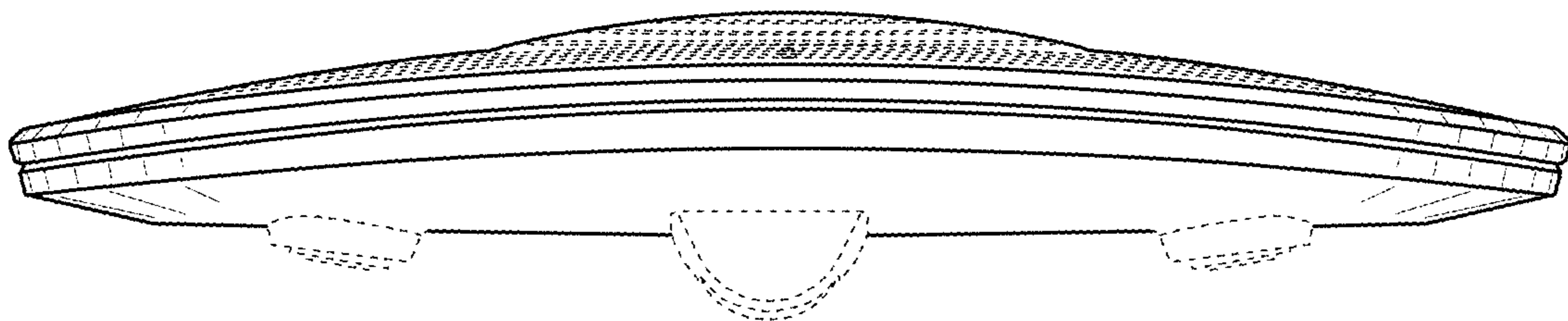


FIG. 5

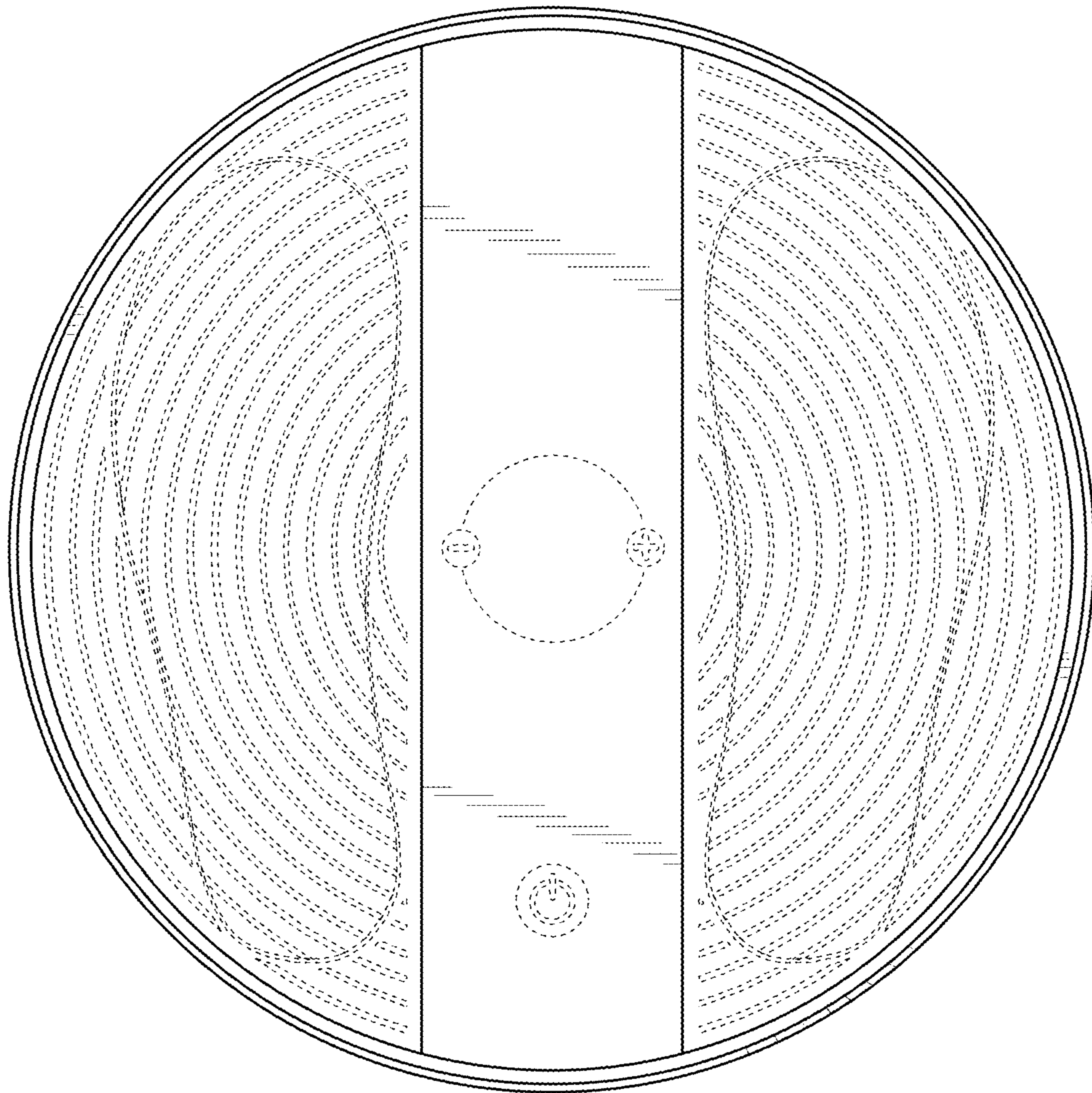


FIG. 6

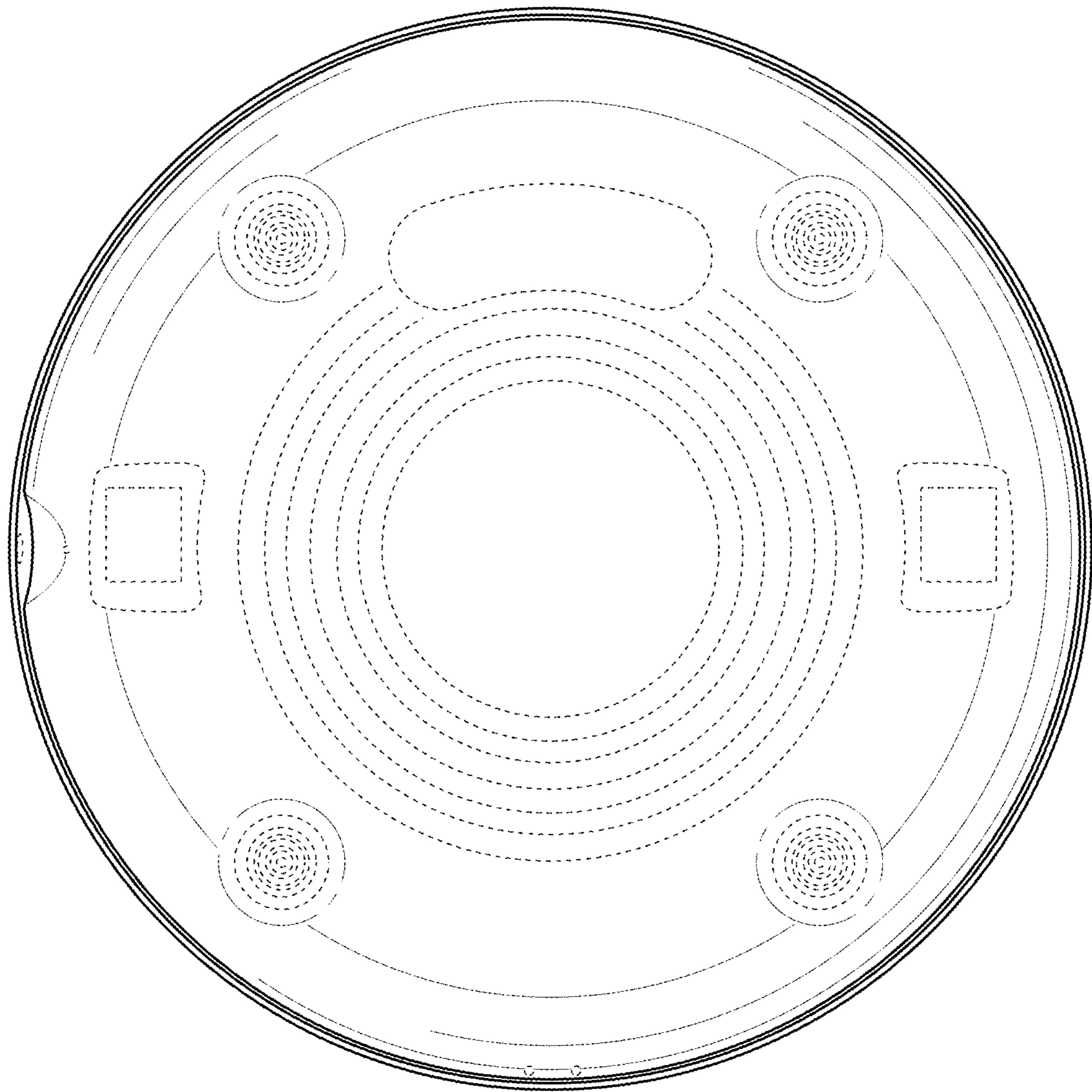


FIG. 7