



US00D977658S

(12) **United States Design Patent** (10) **Patent No.:** **US D977,658 S**  
**Ouyang** (45) **Date of Patent:** **\*\* Feb. 7, 2023**

(54) **PATCH MANICURE PHOTOTHERAPY MACHINE**

(71) Applicant: **GUANGDONG JIEZHIRAN TECHNOLOGY CO., LTD,**  
Guangzhou (CN)

(72) Inventor: **Weifeng Ouyang,** Yongzhou (CN)

(73) Assignee: **GUANGDONG JIEZHIRAN TECHNOLOGY CO., LTD,**  
Guangzhou (CN)

(\*\*) Term: **15 Years**

(21) Appl. No.: **29/845,009**

(22) Filed: **Jul. 4, 2022**

(51) **LOC (14) Cl.** ..... **28-03**

(52) **U.S. Cl.**  
USPC ..... **D24/210**

(58) **Field of Classification Search**  
USPC ..... D24/200, 209, 210; D26/93, 104, 106;  
D28/58  
CPC .... A61N 5/062; A61N 5/0614; A61N 5/0616;  
A61N 5/0617; A61N 5/0618; A61N  
5/0624; A61N 5/0627; A61N 5/0625  
See application file for complete search history.

(56) **References Cited**

U.S. PATENT DOCUMENTS

D707,396 S \* 6/2014 Kim ..... D28/58  
D838,042 S 1/2019 Ouyang  
D905,260 S \* 12/2020 Shenfarber ..... D24/209  
D914,291 S 3/2021 Bui  
D928,976 S \* 8/2021 Dijkstra ..... D24/209

D965,803 S \* 10/2022 Gasmi ..... D24/200  
2009/0143842 A1 \* 6/2009 Cumbie ..... A61N 5/0624  
600/365  
2010/0121419 A1 \* 5/2010 Douglas ..... A61N 5/0616  
607/90  
2016/0158568 A1 \* 6/2016 Uplaznik ..... A61N 5/0616  
600/9  
2022/0040493 A1 \* 2/2022 Swanson ..... A61N 5/0616

\* cited by examiner

*Primary Examiner* — Anhdao Doan

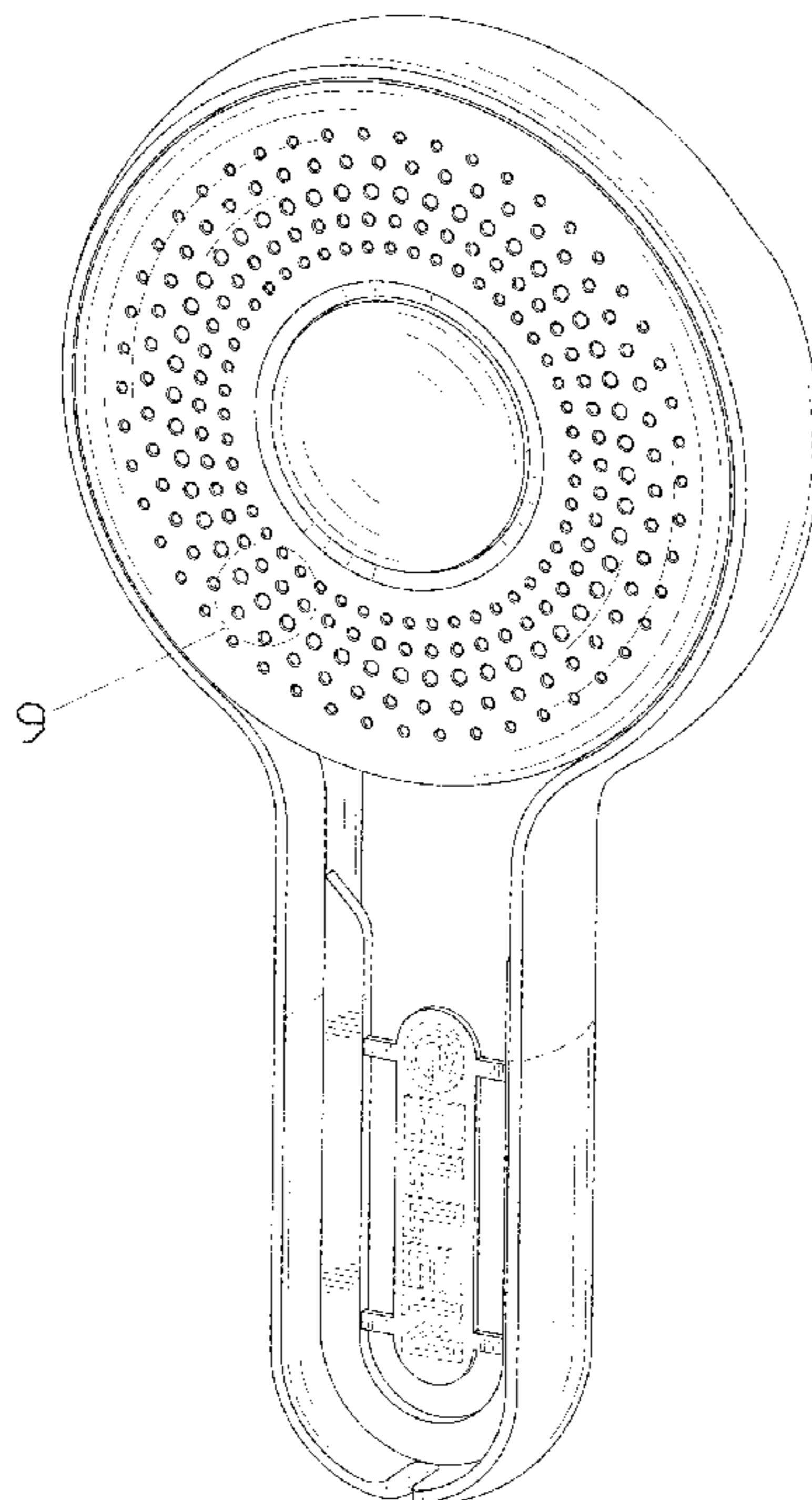
(57) **CLAIM**

The ornamental design for a patch manicure phototherapy machine, as shown and described.

**DESCRIPTION**

FIG. 1 is a perspective view of a patch manicure phototherapy machine showing my new design; FIG. 2 is another perspective view thereof; FIG. 3 is a front elevational view thereof; FIG. 4 is a rear elevational view thereof; FIG. 5 is a left side elevational view thereof; FIG. 6 is a right side elevational view thereof; FIG. 7 is a top plan view thereof; FIG. 8 is a bottom plan view thereof; FIG. 9 is an enlarged view of portion 9 shown in FIG. 1; and, FIG. 10 is an enlarged view of portion 10 shown in FIG. 2. The dash-dash broken lines in the drawings depict portions of the patch manicure phototherapy machine that form no part of the claimed design. The dot-dash broken lines represent boundaries of the enlarged portions and form no part of the claimed design.

**1 Claim, 10 Drawing Sheets**



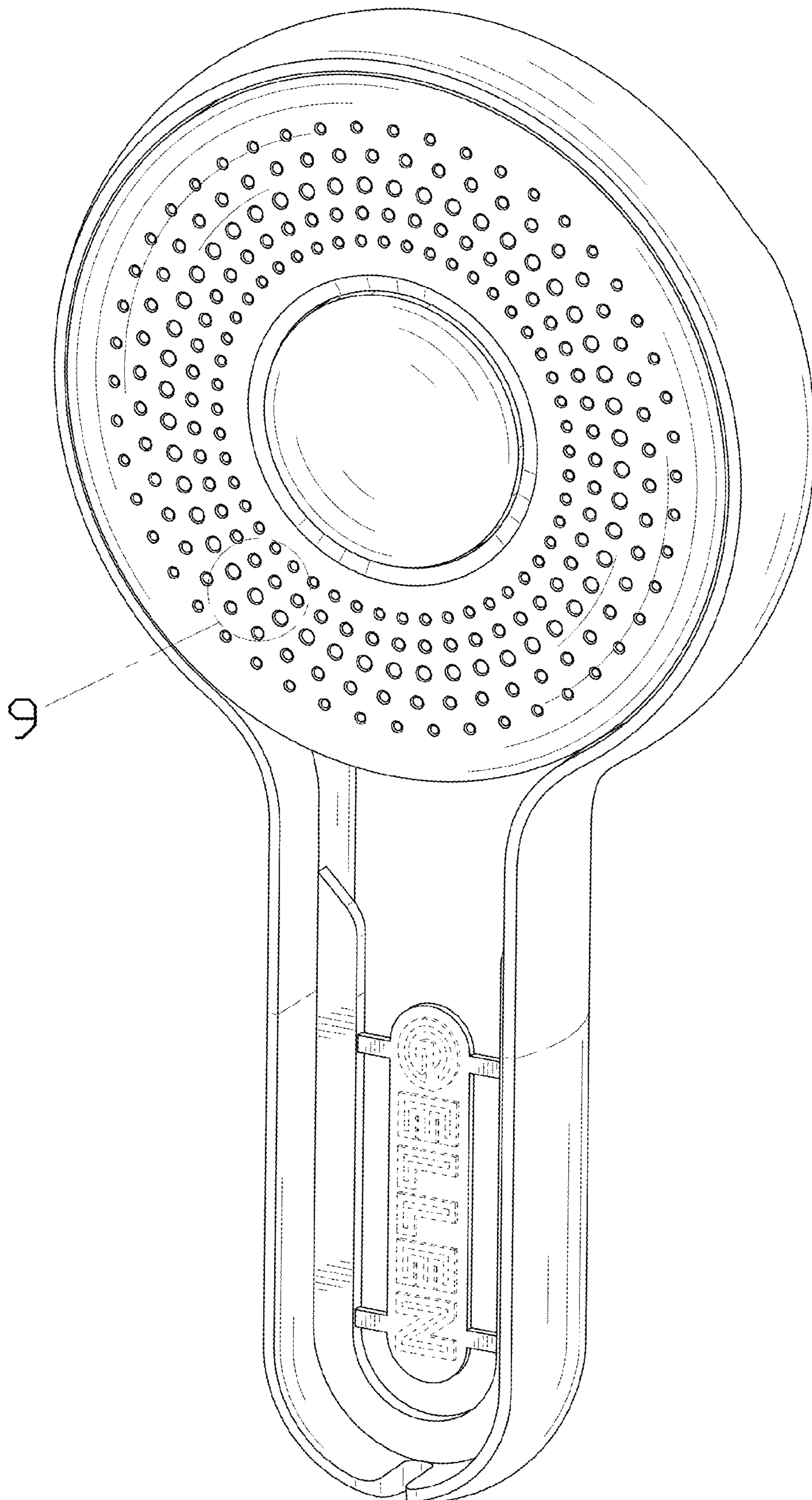


FIG. 1

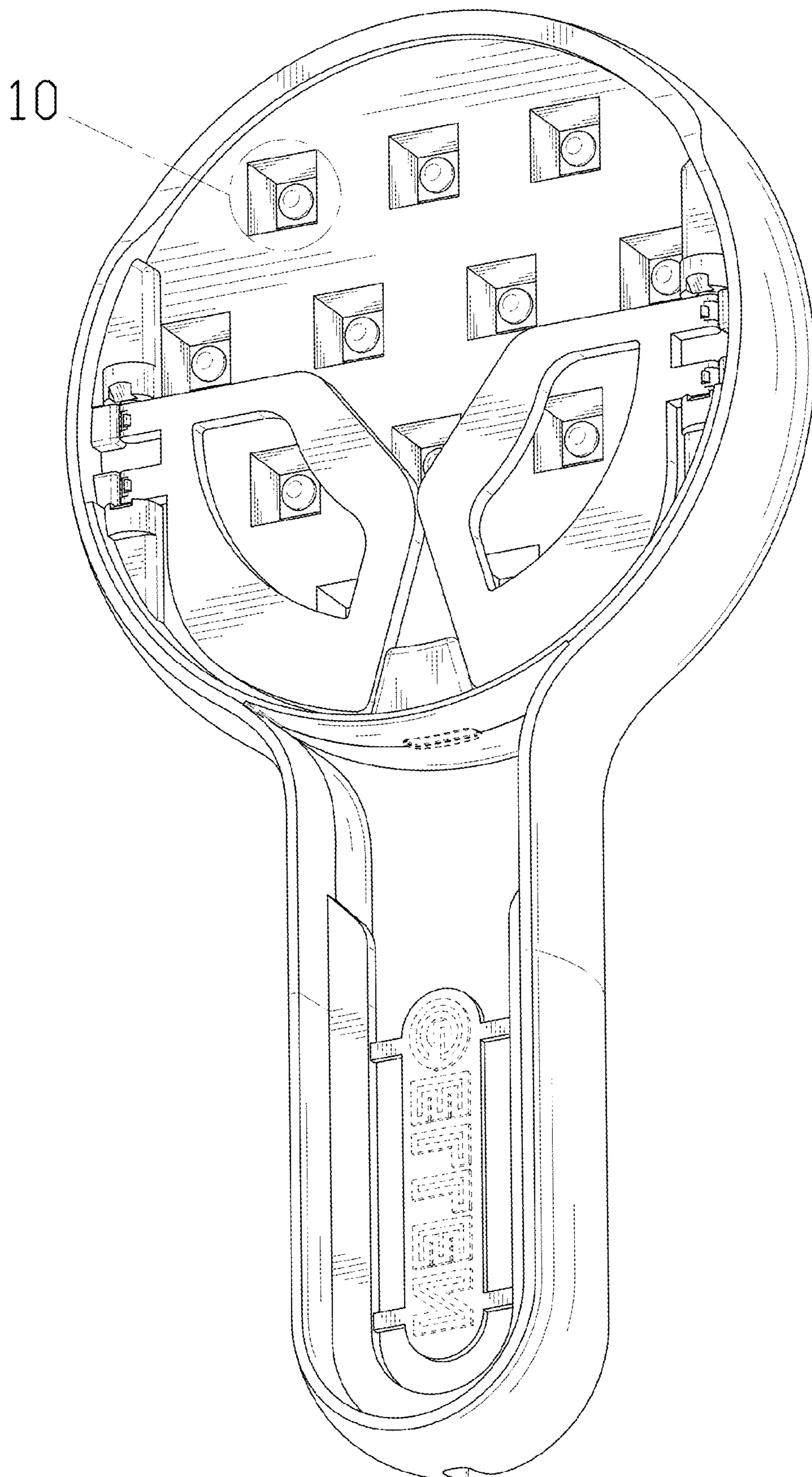


FIG. 2

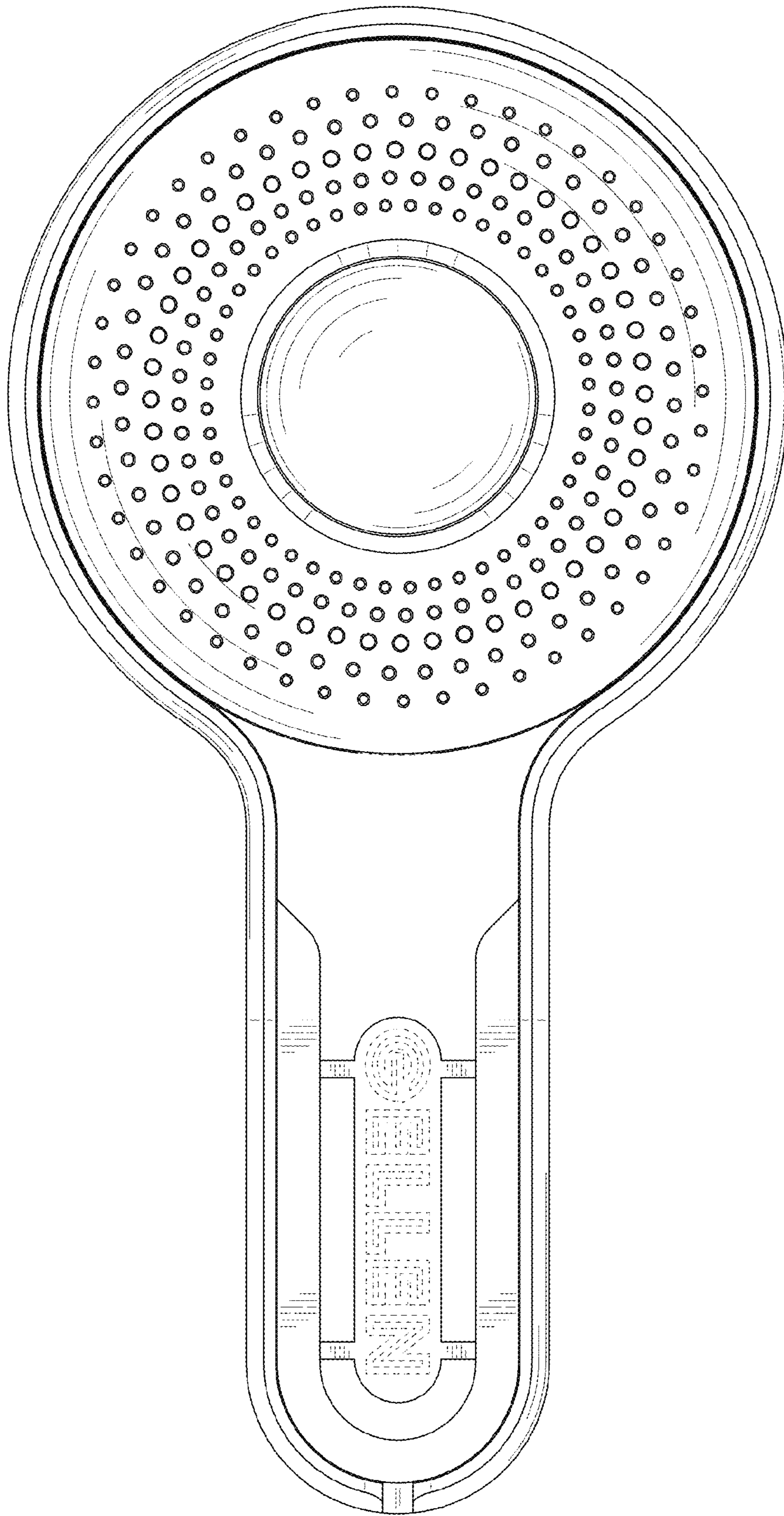


FIG. 3

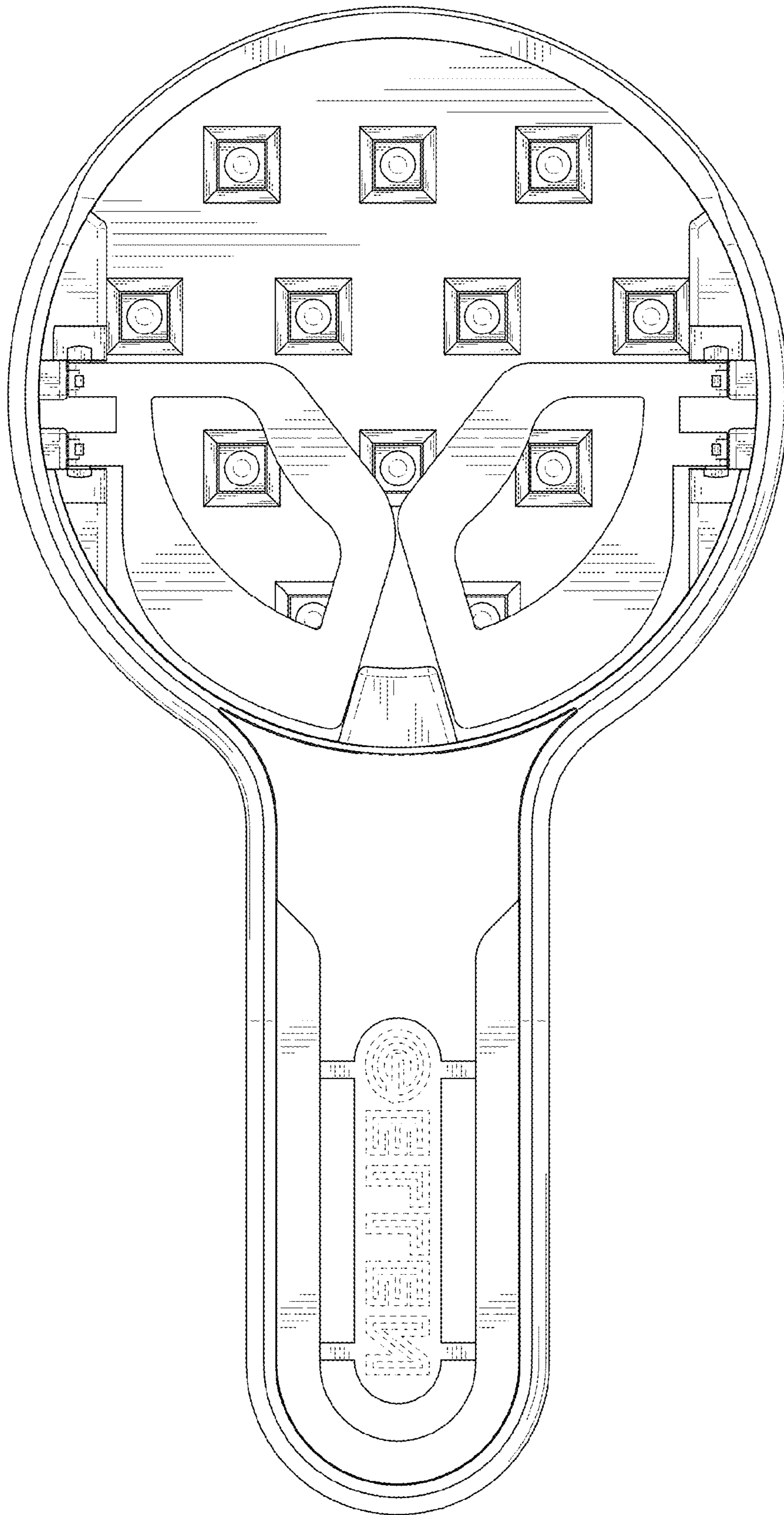


FIG. 4

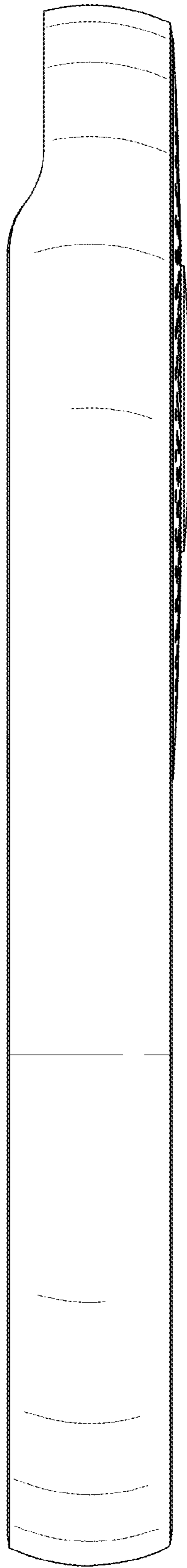


FIG. 5

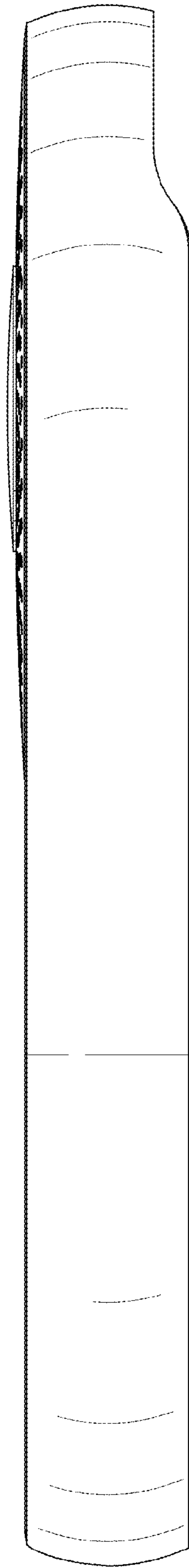


FIG. 6

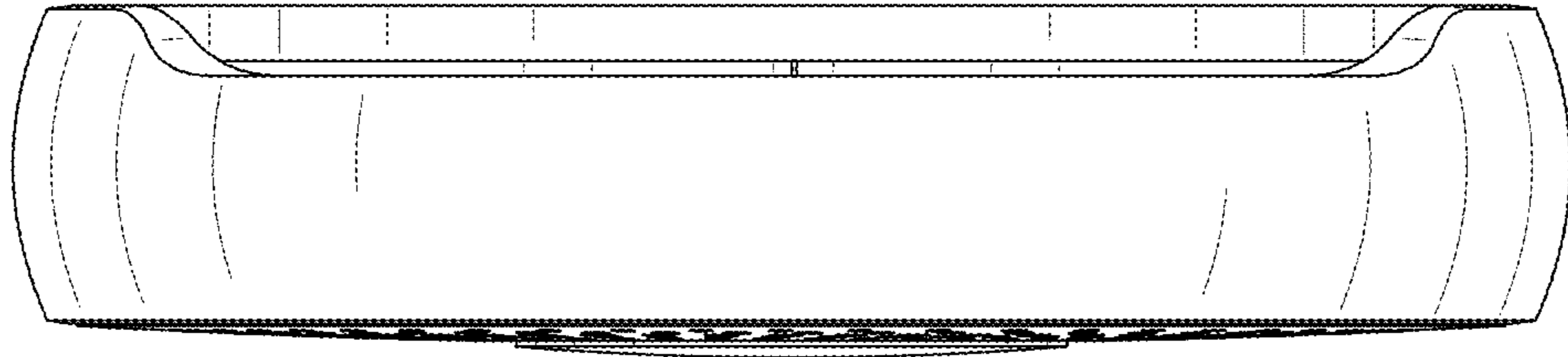


FIG. 7



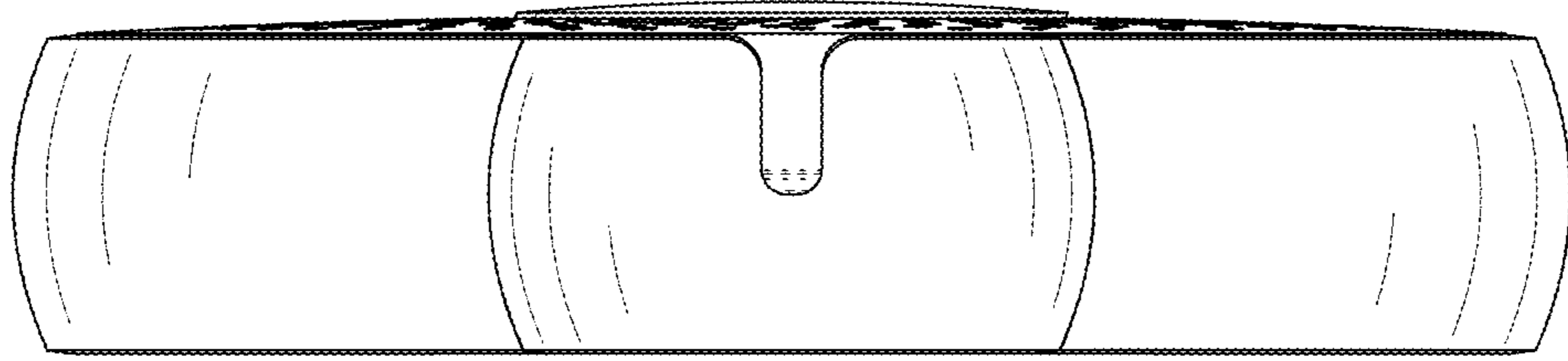


FIG. 8

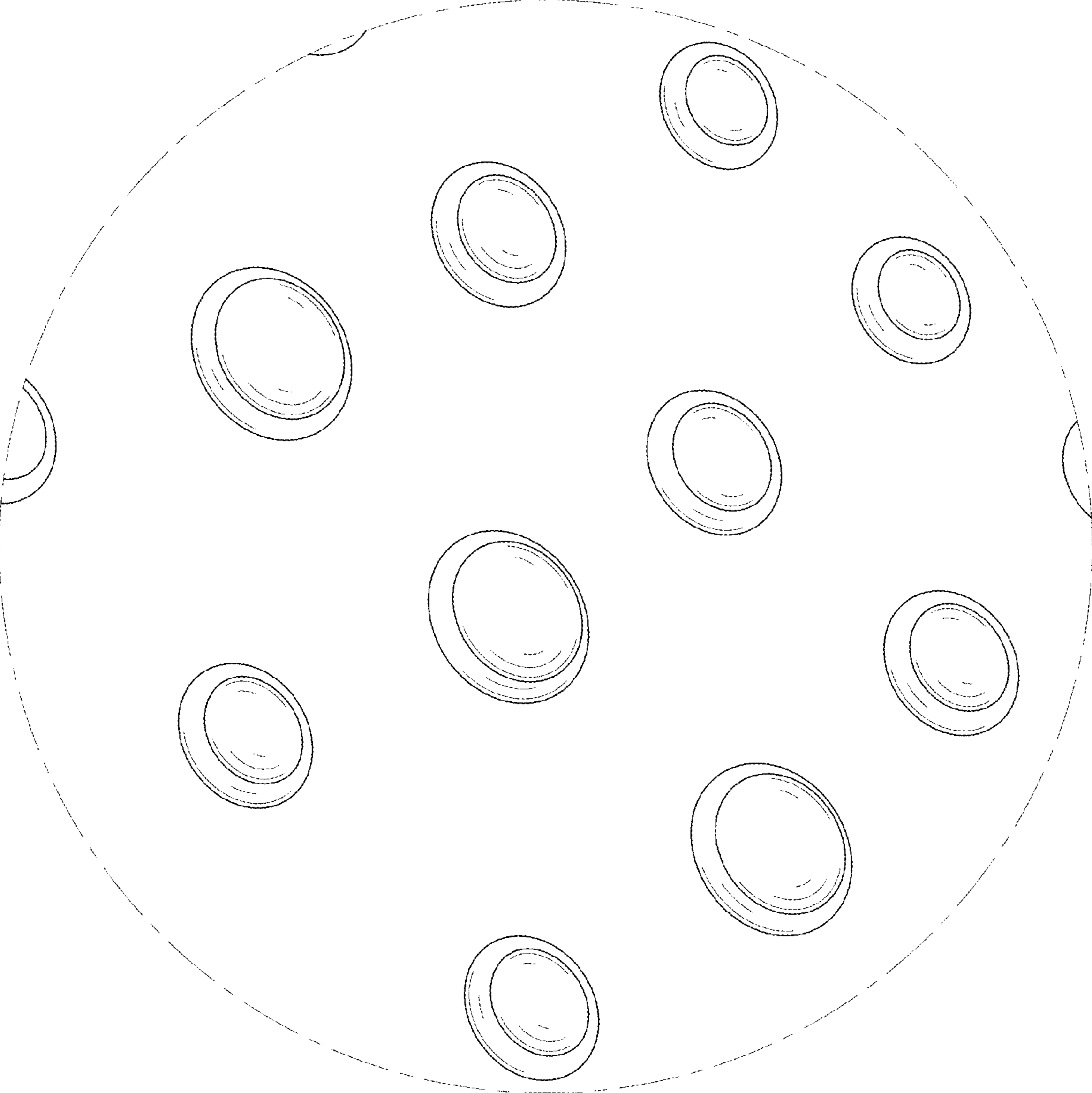


FIG. 9

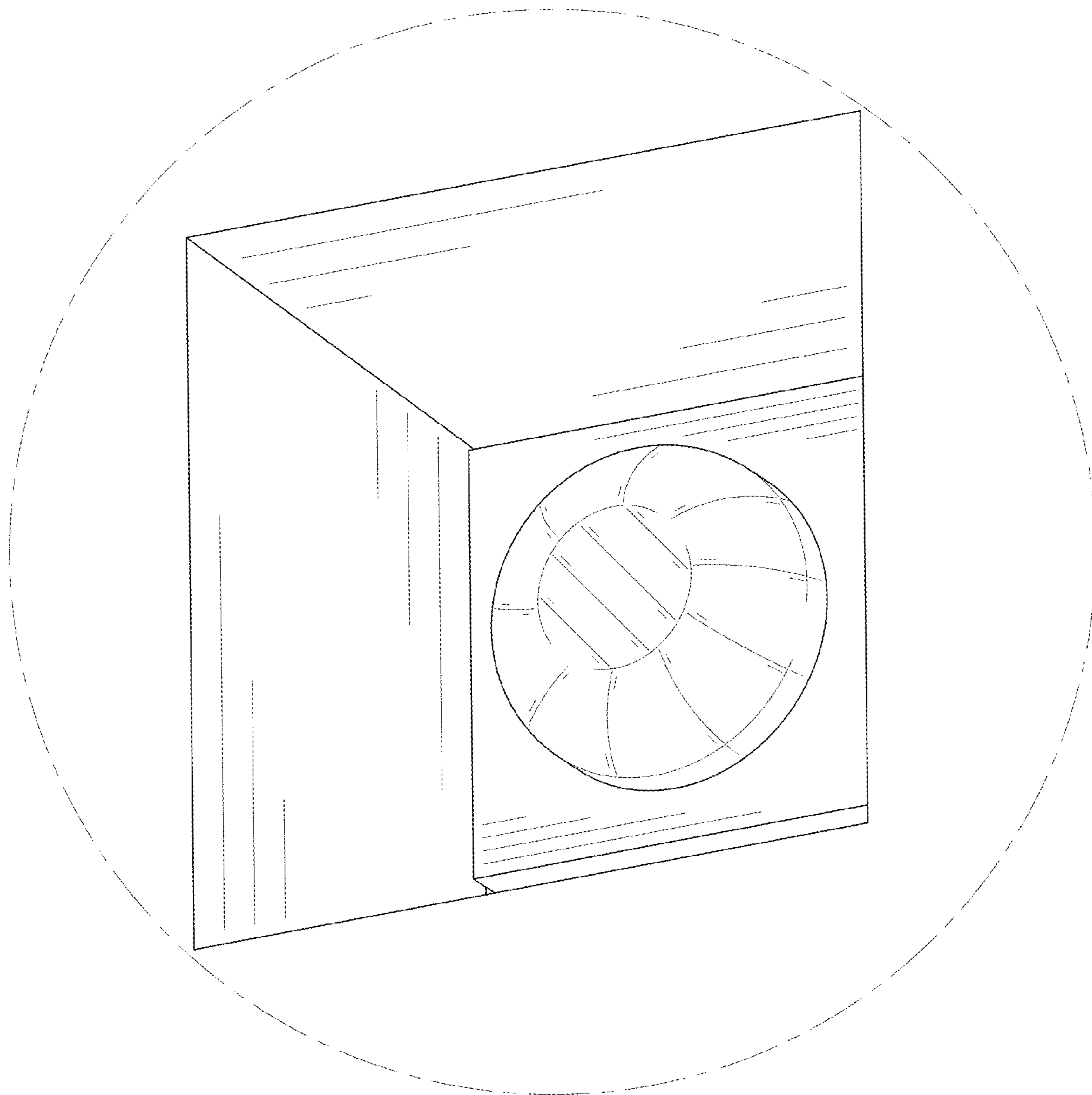


FIG. 10