



US00D977657S

(12) **United States Design Patent**
Huang

(10) **Patent No.:** **US D977,657 S**

(45) **Date of Patent:** **** Feb. 7, 2023**

(54) **BEAUTY APPARATUS**

(71) Applicant: **Ying Huang**, Chongqing (CN)

(72) Inventor: **Ying Huang**, Chongqing (CN)

(**) Term: **15 Years**

(21) Appl. No.: **29/774,292**

(22) Filed: **Mar. 16, 2021**

(51) **LOC (14) Cl.** **24-01**

(52) **U.S. Cl.**

USPC **D24/200**

(58) **Field of Classification Search**

USPC D24/185–190, 200, 127, 130, 133,
D24/145–147, 155–156, 158, 183,
D24/206–208, 214–215, 231, 234;
D8/391, 387; D23/303, 318, 322;
D13/168; D14/218

CPC .. A61M 25/065; A61M 5/42; A61M 25/0612;
A61M 25/00; A61M 39/00; A61M 27/00;
A61M 25/0043; A61M 25/0067; A61M
25/0097; A61F 2/958; A61F 13/02; A61F
2013/00885; A61F 7/02; A61F 7/034;
A61F 7/00; A61F 2007/0094; A61F
2007/0087; A61F 2007/0089; A61N
1/36021; A61N 1/36; A61N 1/403; A61H
2201/02; A61H 2201/0207; A61H
2201/0221; A61H 15/0092; A61G
2201/02147

See application file for complete search history.

(56) **References Cited**

U.S. PATENT DOCUMENTS

D448,522 S	9/2001	Minami	
D503,979 S *	4/2005	Khalaj	D24/146
D590,064 S *	4/2009	Janisch	D24/206
D628,742 S	12/2010	Hsu	
D711,003 S *	8/2014	Chen	D24/186
D734,475 S *	7/2015	Ross	D24/185

D806,887 S *	1/2018	Yang	D24/206
D812,246 S *	3/2018	Hommel	D24/231
D859,634 S *	9/2019	Hochman	D24/111
D902,412 S *	11/2020	Angeles	D24/185
D903,132 S *	11/2020	Shavit	D24/200
D903,133 S *	11/2020	Shavit	D24/200
D905,249 S *	12/2020	He	D24/185
D908,891 S *	1/2021	Zünd	D24/185
D921,899 S *	6/2021	Suarez	D24/158
D935,027 S *	11/2021	Larrow	D24/167

(Continued)

OTHER PUBLICATIONS

TFCFL Peeling Facial Oxygen Jet Skin Care Facial SPA Use Beauty Machine, walmart.com, [online], [site visited Sep. 16, 2022], Available from internet URL: <https://www.walmart.com/ip/TFCFL-Peeling-Facial-Oxygen-Jet-Skin-Care-Facial-SPA-Use-Beauty-Machine/931789780?> (Year: 2022).*

(Continued)

Primary Examiner — Samantha Q Lawrence

Assistant Examiner — Holly M Rodriguez

(57) **CLAIM**

The ornamental design for a beauty apparatus, as shown and described.

DESCRIPTION

FIG. 1 is a perspective view of a beauty apparatus showing my new design;

FIG. 2 is another perspective view thereof;

FIG. 3 is a front elevational view thereof;

FIG. 4 is a rear elevational view thereof;

FIG. 5 is a left side elevational view thereof;

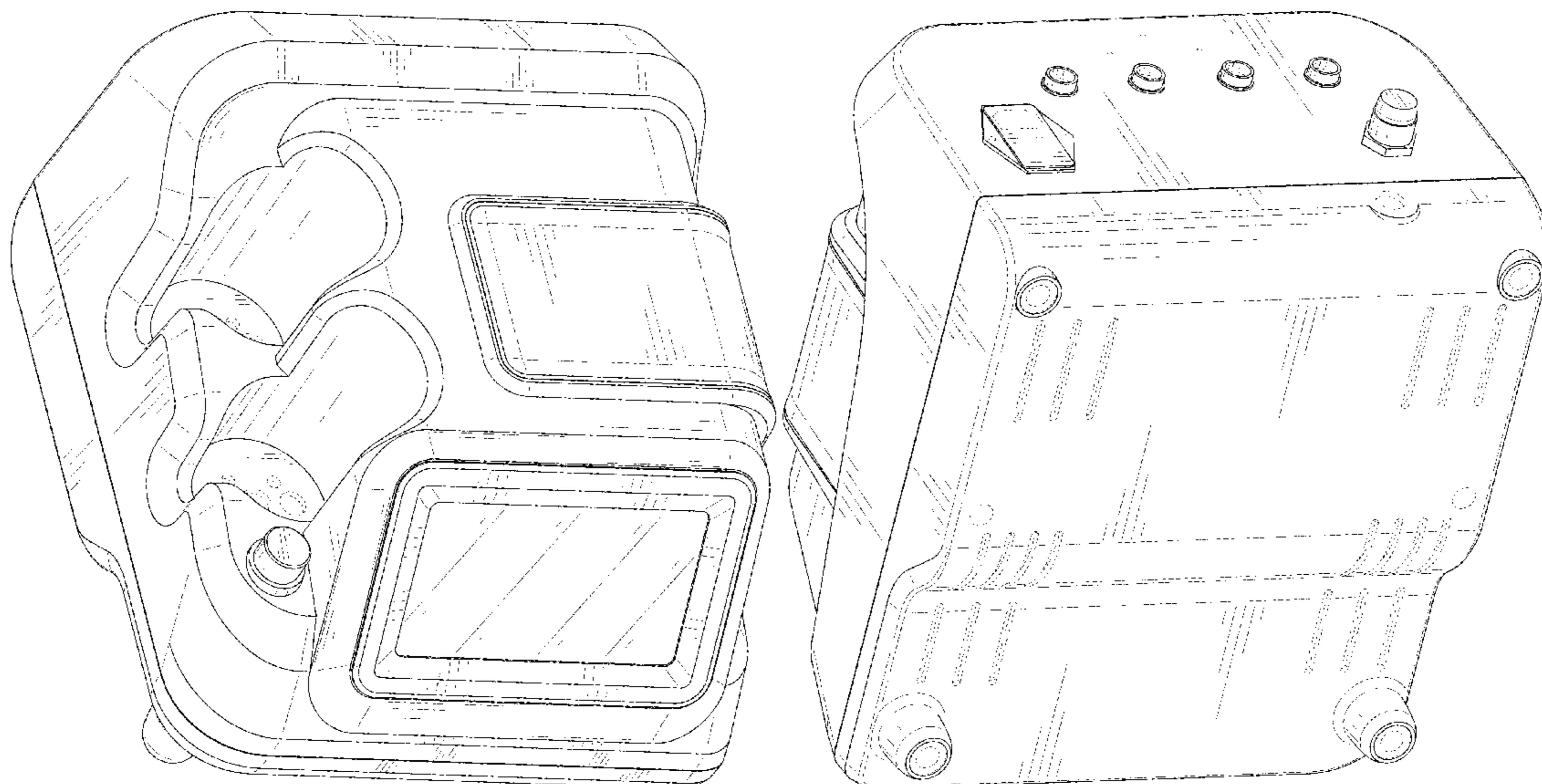
FIG. 6 is a right side elevational view thereof;

FIG. 7 is a top plan view thereof; and,

FIG. 8 is a bottom plan view thereof.

The broken lines in the drawings depict portions of the beauty apparatus that form no part of the claimed design.

1 Claim, 8 Drawing Sheets



(56)

References Cited

U.S. PATENT DOCUMENTS

D942,018 S * 1/2022 Goulet D24/185
D954,968 S * 6/2022 Gray D24/185
D962,444 S * 8/2022 Suarez D24/158
2017/0281460 A1 * 10/2017 Zgoda A61H 23/04

OTHER PUBLICATIONS

12 in 1 Small Bubble Water Hydrogen Oxygen Beauty Machine with LED Mask, aliexpress.com, [online], [site visited Sep. 16, 2022], Available from internet URL: <https://www.aliexpress.com/item/3256804290571691.html?gatewayAdapt=4itemAdapt> (Year: 2022).*

Lzour Hydrogen Oxygen Facial Machine, amazon.com, [online], [site visited Sep. 16, 2022], Available from internet URL: <https://www.amazon.com/Lzour-Hydrogen-Blackhead-Cleansing-Microdermabrasion/dp/B09792PNYX> (Year: 2022).*

Hydrogen Oxygen Beauty Machine, first available Oct. 9, 2021, ubuy.com.tr, [online], [site visited Sep. 16, 2022], Available from internet URL: <https://www.ubuy.com.tr/en/product/1FCFLBDK-hydrogen-oxygen-beauty-machine-7-in-1-hydro-dermabrasion-clean-facial-skin-care-jet-peel-machine-pro> (Year: 2021).*

Yifanfengshun 5 in 1 Body Massage Machine Face Body Massage for Home, first available Dec. 7, 2021, amazon.com, [online], [site visited Sep. 16, 2022], Available from internet URL: <https://www.amazon.com/dp/B09N6VYWGP/> (Year: 2021).*

* cited by examiner

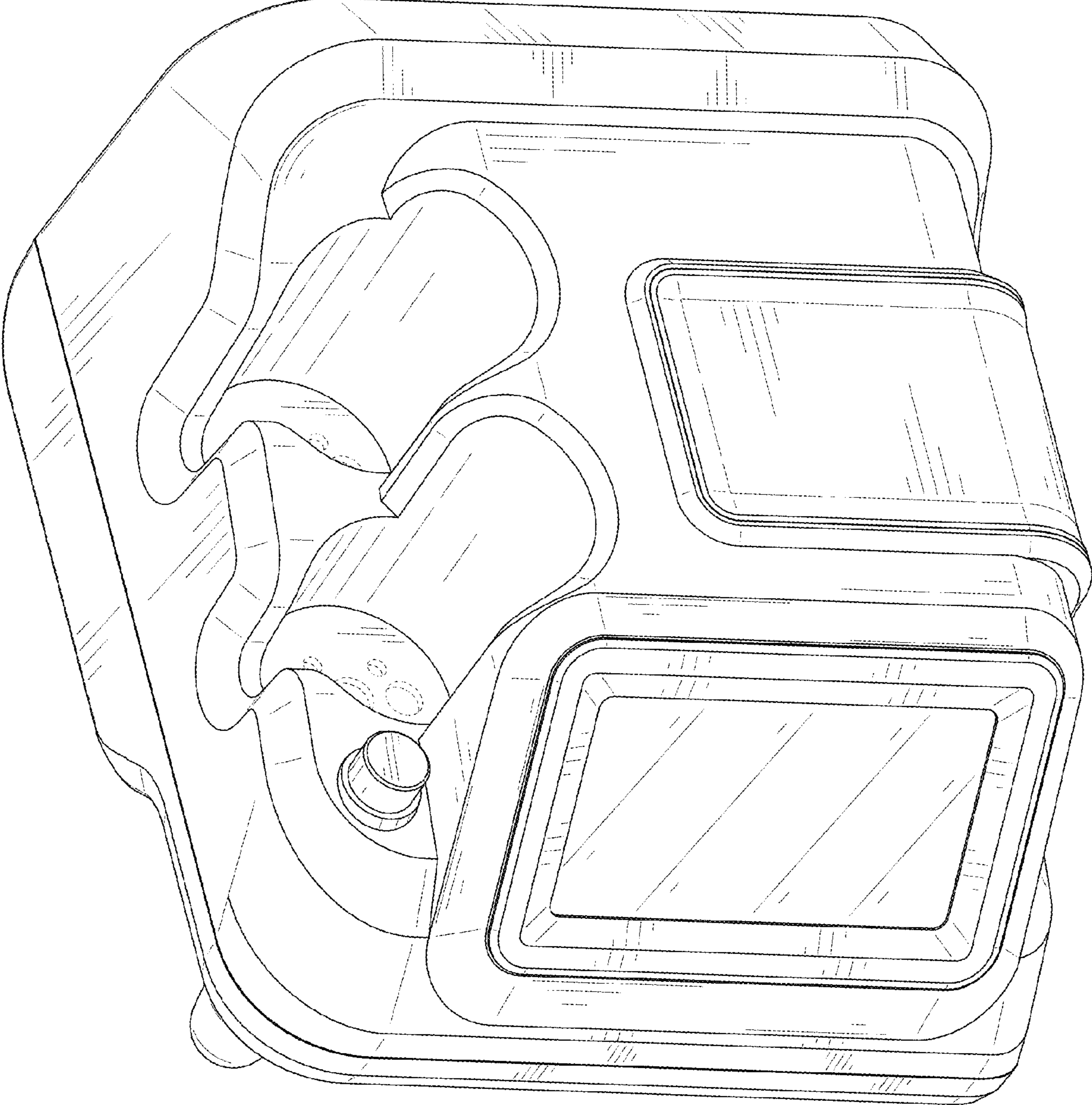


FIG. 1

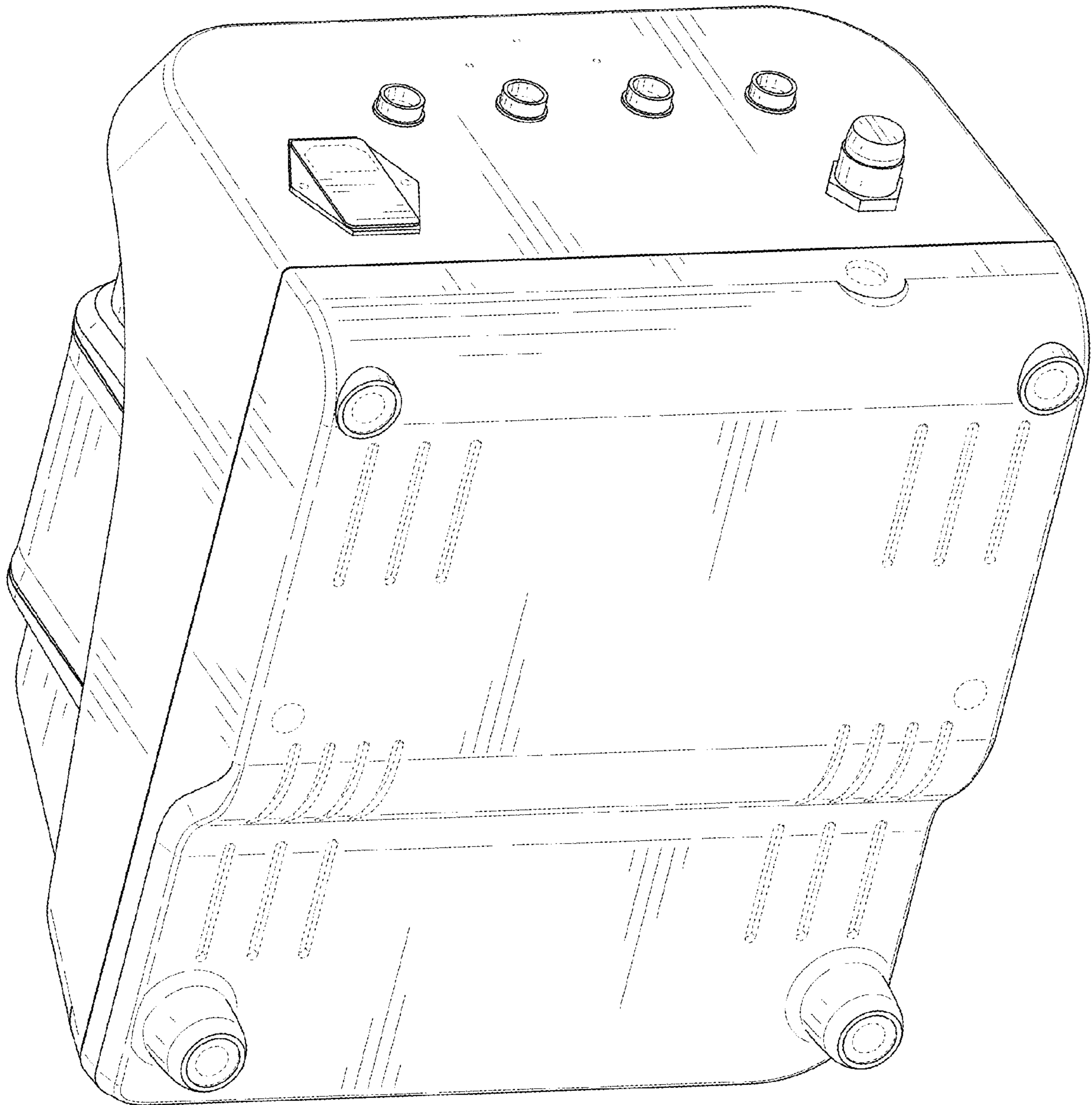


FIG. 2

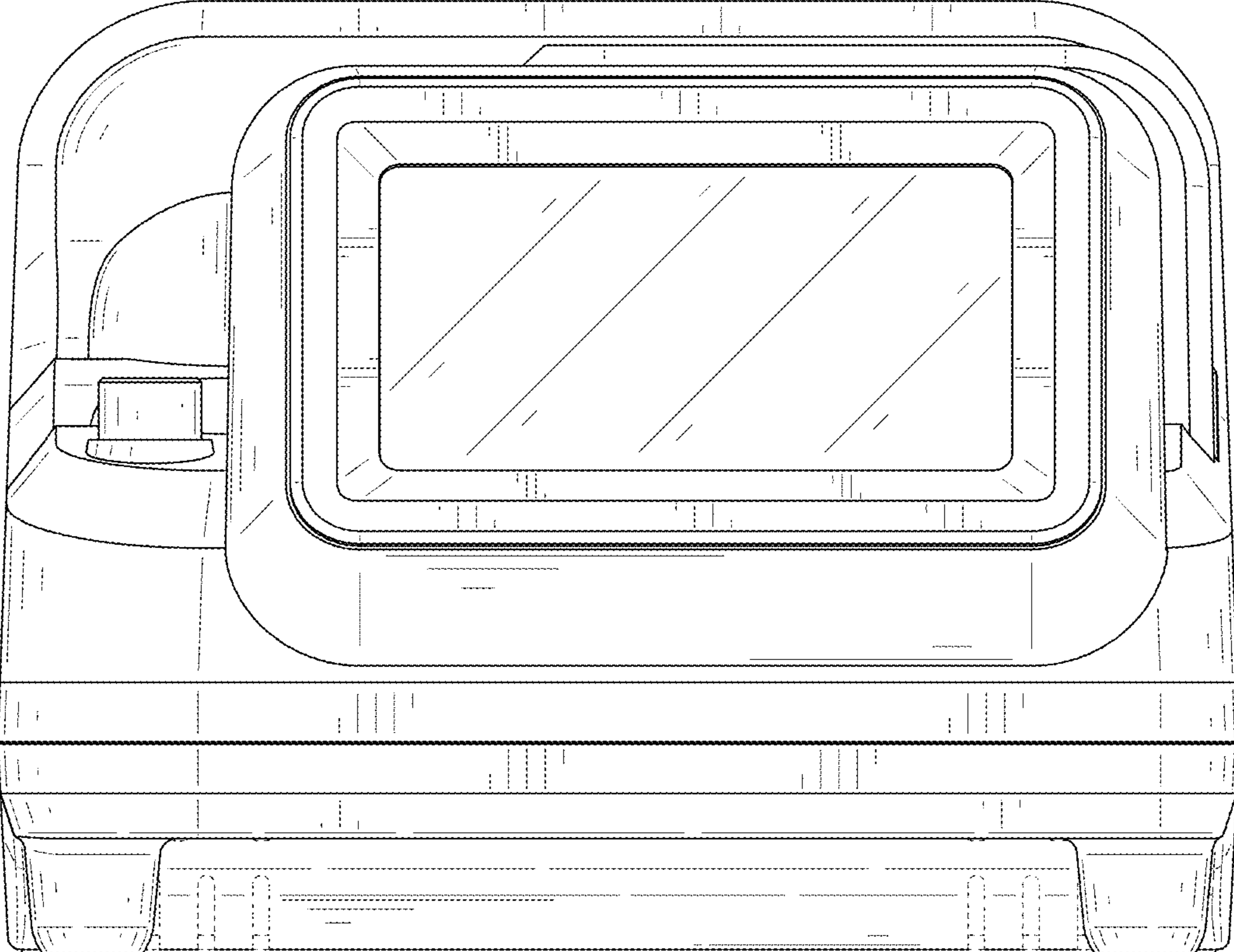


FIG. 3

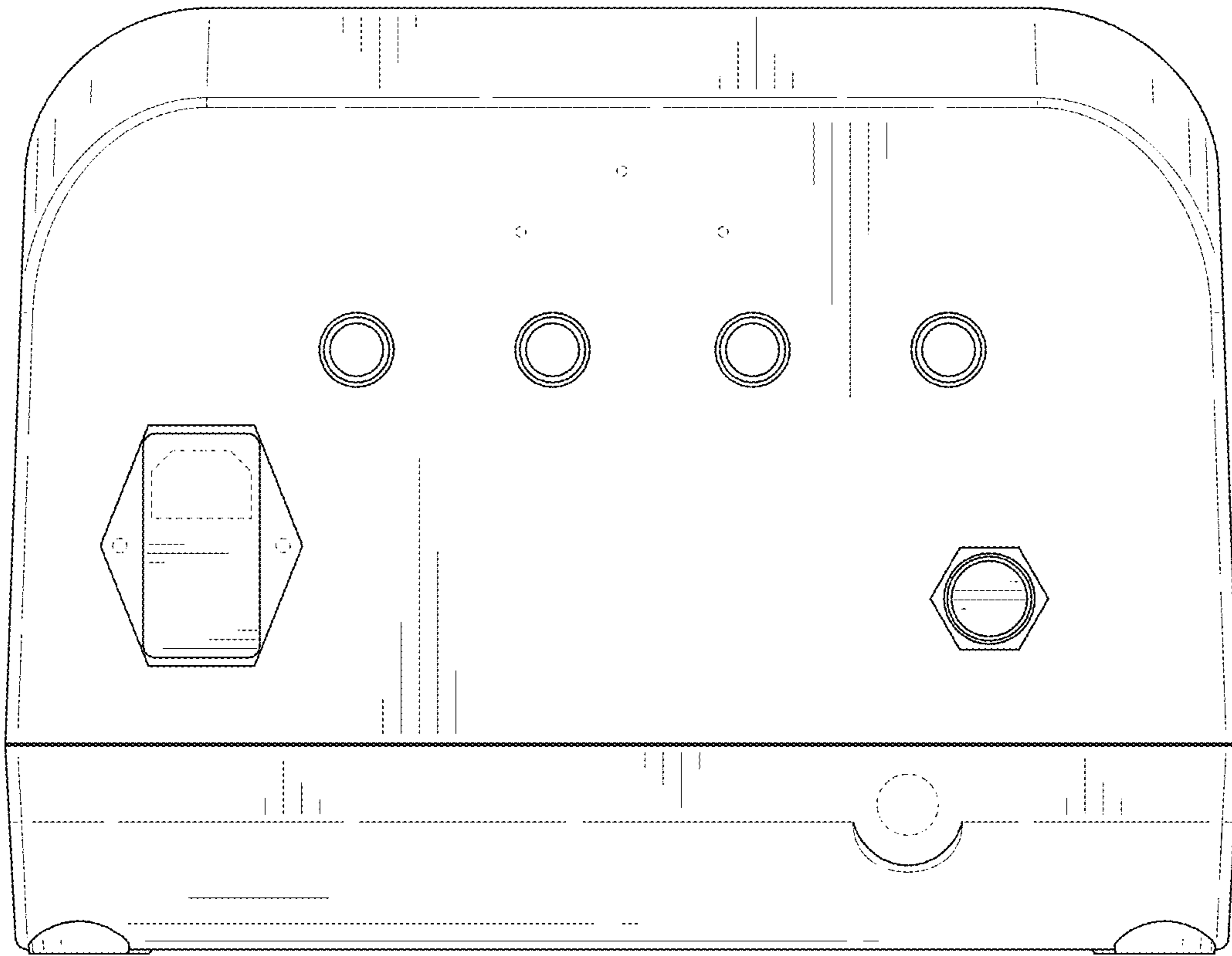


FIG. 4

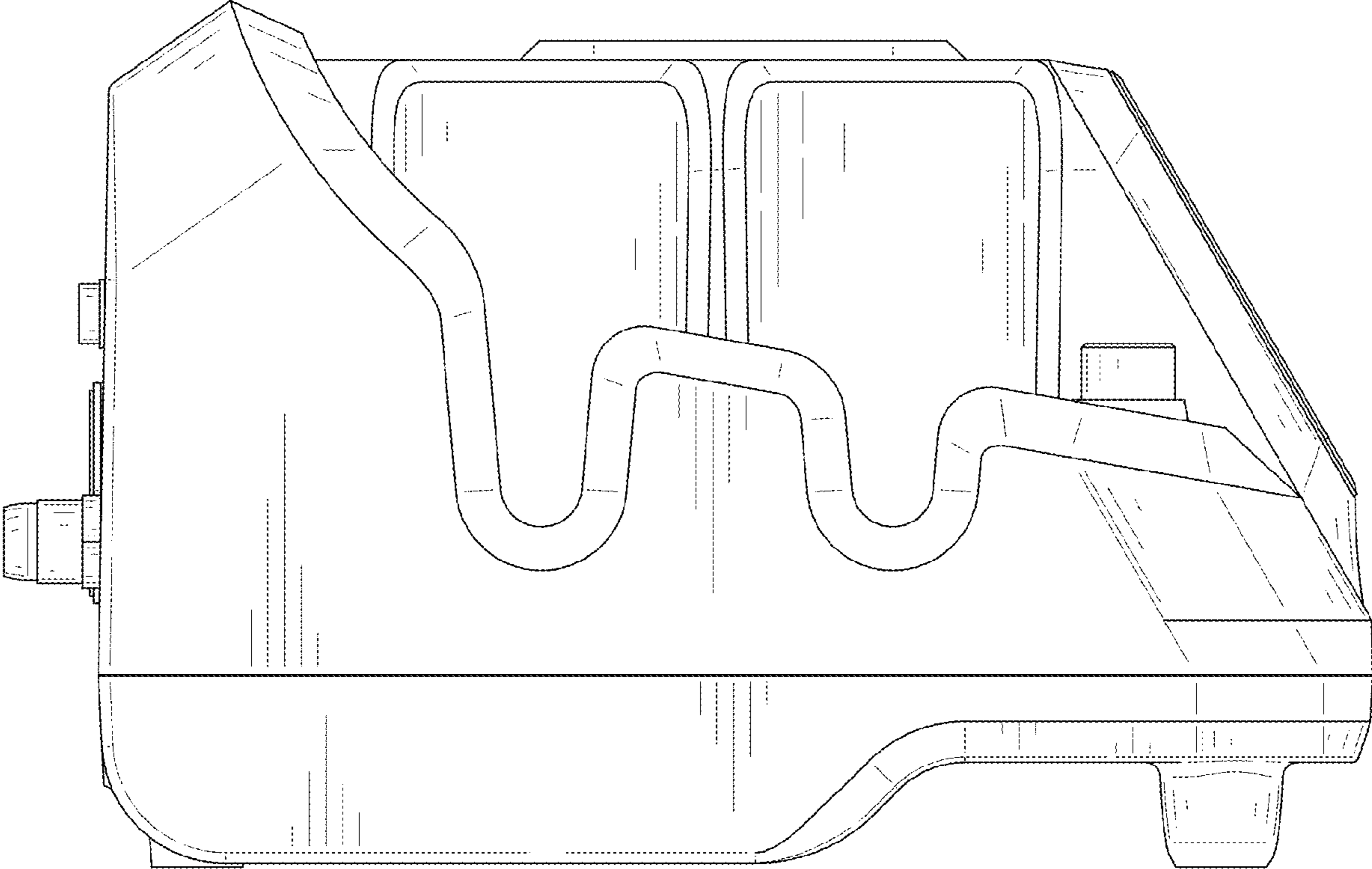


FIG. 5

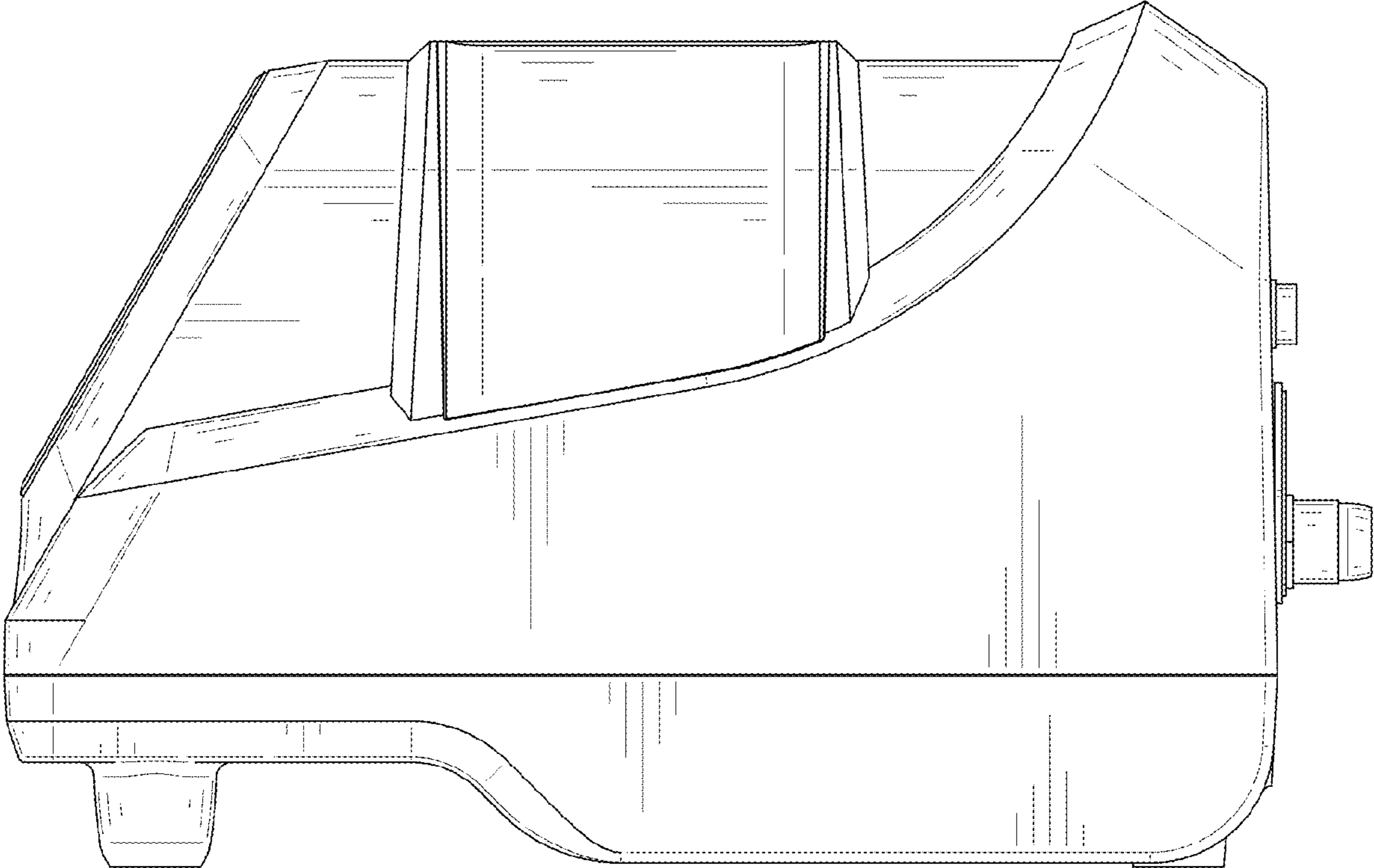


FIG. 6

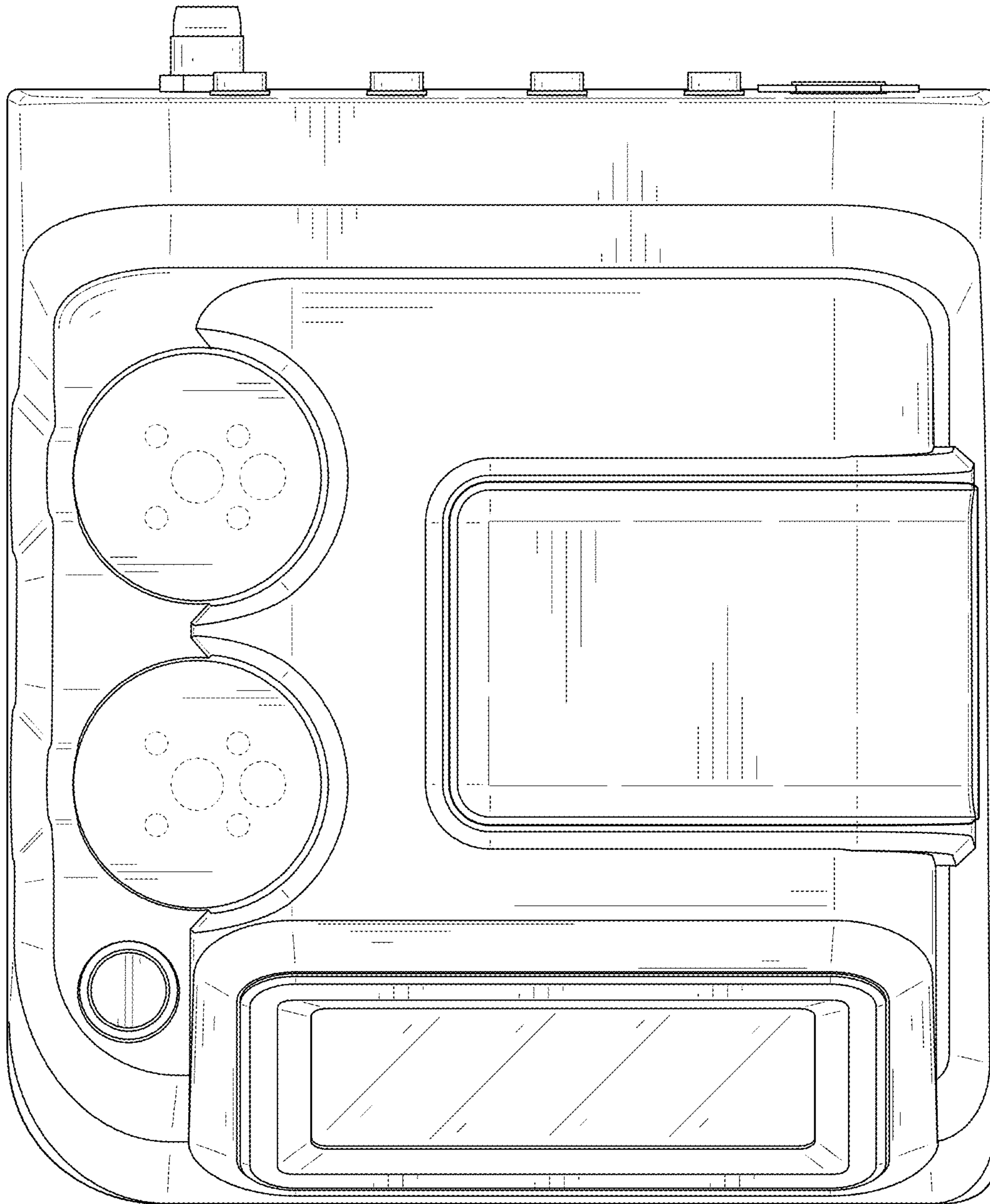


FIG. 7

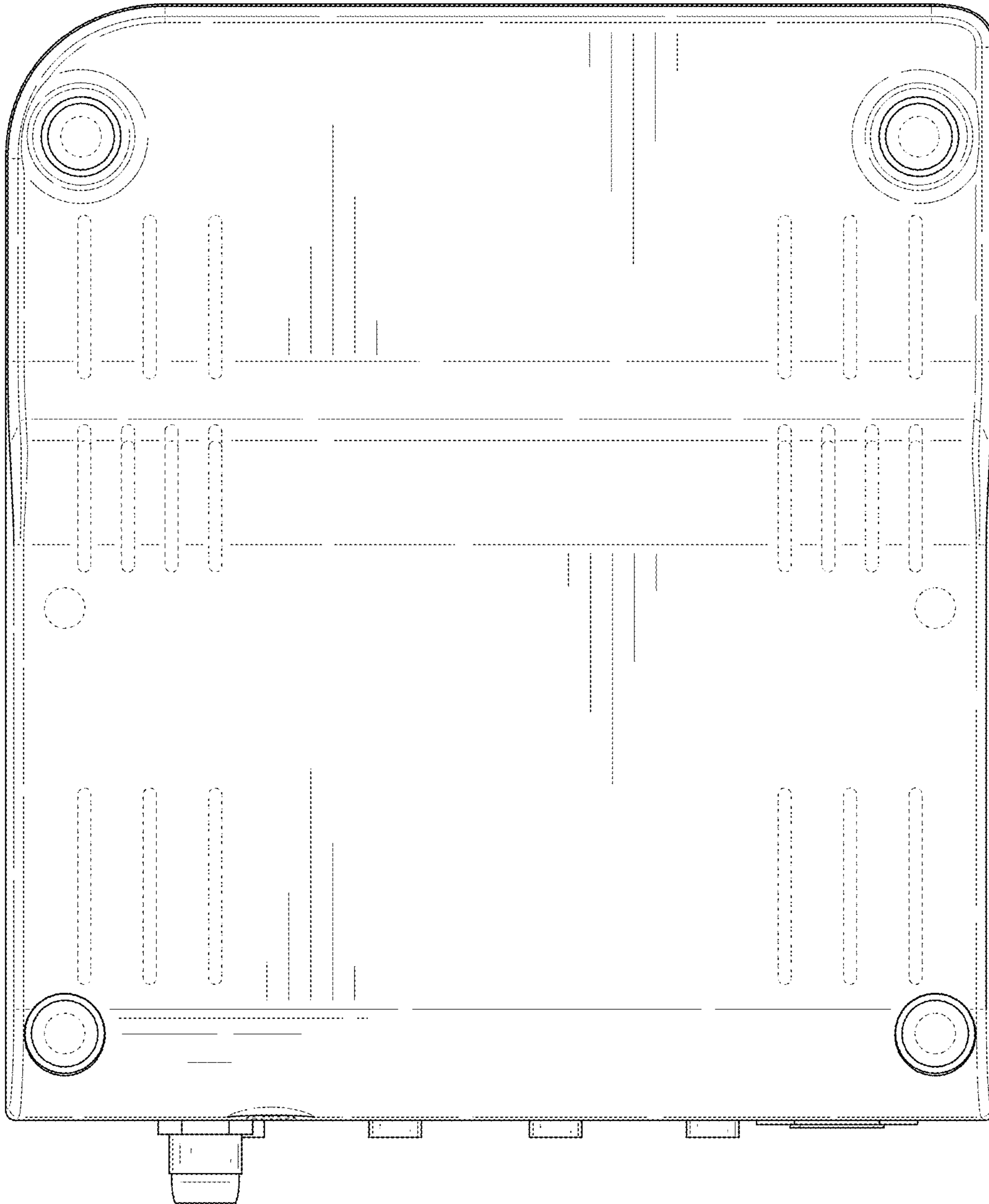


FIG. 8