



US00D977656S

(12) **United States Design Patent**
Yamazaki

(10) **Patent No.:** **US D977,656 S**

(45) **Date of Patent:** **** Feb. 7, 2023**

(54) **BEAUTY DEVICE**

(71) Applicant: **YA-MAN LTD.**, Tokyo (JP)

(72) Inventor: **Iwao Yamazaki**, Tokyo (JP)

(73) Assignee: **YA-MAN LTD.**, Tokyo (JP)

(**) Term: **15 Years**

(21) Appl. No.: **29/764,190**

(22) Filed: **Dec. 29, 2020**

(30) **Foreign Application Priority Data**

Aug. 6, 2020 (JP) 2020-016511 D

(51) **LOC (14) Cl.** **24-01**

(52) **U.S. Cl.**
USPC **D24/200**

(58) **Field of Classification Search**
USPC D24/209, 152-154, 200, 211-215, 133,
D24/188, 107, 231, 127, 176-177, 182,
D24/139; D10/57; D28/58-59, 62
CPC A61B 2017/00761; A61B 2017/306; A61B
2017/00747; A61B 2217/005; A61B
2018/00452; A61B 2017/00734; A61B
2017/320012; A61B 1/253; A61B
1/00068; A61B 1/00128; A61B 1/00091;
A61B 1/015; A61B 1/126; A61N 5/0616;
A61N 1/36034; A61N 1/0492; A61N
1/36003; A61N 1/0452; A61H 35/04;
A61H 7/003; A61H 7/004; A61H 7/008;
A61H 7/00; A61M 1/00; A45D
2200/1054; A46B 2200/102

See application file for complete search history.

(56) **References Cited**

U.S. PATENT DOCUMENTS

D337,642 S * 7/1993 Yamazaki D24/200
D759,257 S * 6/2016 Chen D24/200

D802,779 S * 11/2017 Inoue D24/200
D810,952 S * 2/2018 Hsu D24/186
D906,598 S * 12/2020 Zhang D29/122
D932,034 S * 9/2021 McDonough D24/167
D934,439 S * 10/2021 McDonough D24/187
D946,744 S * 3/2022 Sorna D29/108

(Continued)

OTHER PUBLICATIONS

Medi Lift Plus, ya-man.com, [online], [site visited Apr. 28, 2022],
Available from internet URL: <https://www.ya-man.com/en/products/medi-lift-plus.php> (Year: 2022).*

(Continued)

Primary Examiner — Samantha Q Lawrence

Assistant Examiner — Holly M Rodriguez

(74) *Attorney, Agent, or Firm* — Bayramoglu Law Offices
LLC

(57) **CLAIM**

The ornamental design for a beauty device, as shown and
described.

DESCRIPTION

FIG. 1 is a front view of a beauty device showing my new
design;

FIG. 2 is a rear view thereof;

FIG. 3 is a right side view thereof;

FIG. 4 is a left side view thereof;

FIG. 5 is a top view thereof;

FIG. 6 is a bottom view thereof;

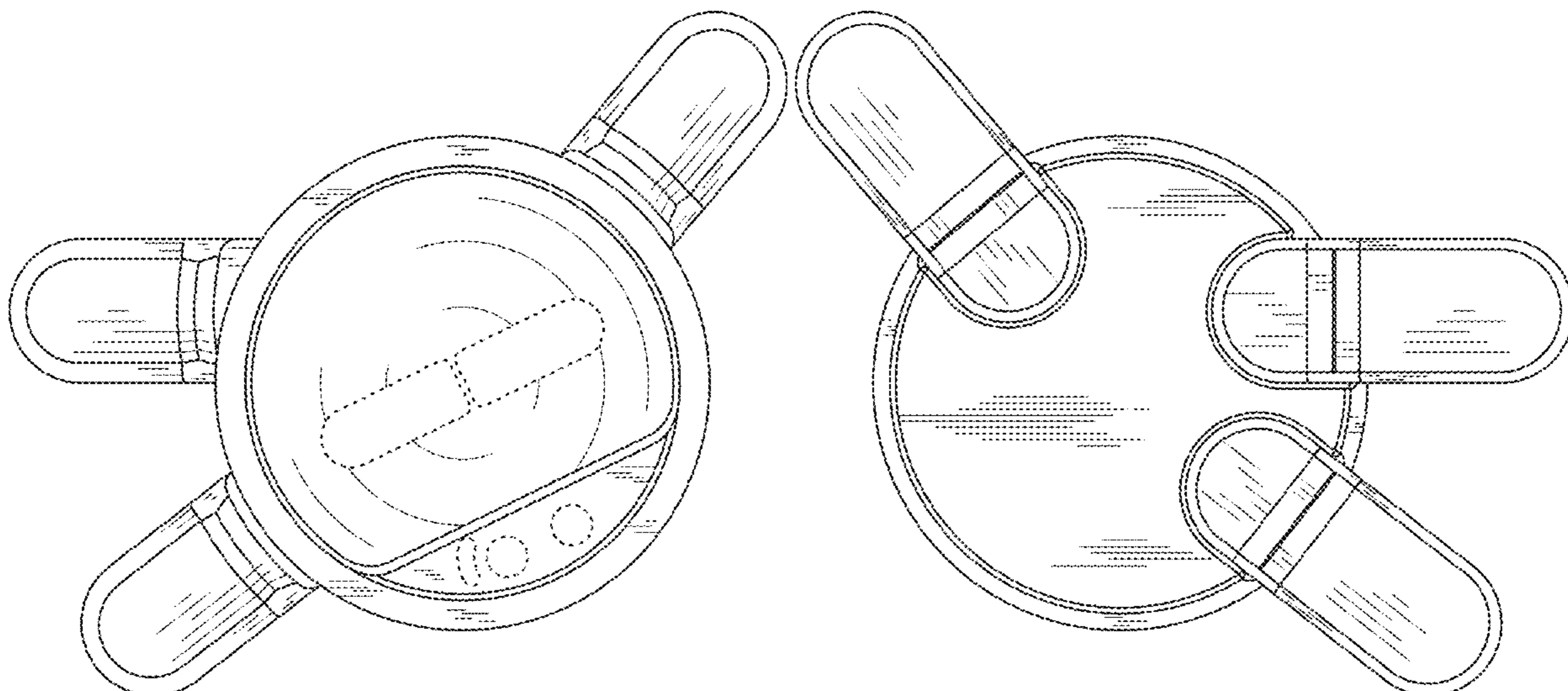
FIG. 7 is a front perspective view thereof; and,

FIG. 8 is a perspective view thereof showing usage refer-
ence.

The broken lines in the drawings illustrating portions of the
beauty device form no part of the claimed design.

The broken lines showing a mask in FIG. 8 are for the
purpose of illustrating the environmental structure and form
no part of the claimed design.

1 Claim, 8 Drawing Sheets



(56)

References Cited

U.S. PATENT DOCUMENTS

D946,745 S * 3/2022 Sorna D29/108
2007/0083074 A1 * 4/2007 Sotiriou A61N 2/12
600/8
2012/0030892 A1 * 2/2012 Yamazaki A47L 9/0686
15/209.1
2013/0304176 A1 * 11/2013 Riddle A61N 1/36034
607/149
2017/0209693 A1 * 7/2017 An A61N 1/0456
2018/0345003 A1 * 12/2018 Gollan A61N 1/0452

OTHER PUBLICATIONS

MediLift Plus, first available Sep. 30, 2020, amazon.co.jp, [online], [site visited Apr. 28, 2022], Available from internet URL: https://www.amazon.co.jp/-/en/EPM-18BB-MediLIFT-Plus/dp/B08GM172W6/ref=bx_dp_s9rlgp4n_scl_3_1/357-1780177-6697317?pd_rd_w=alcMt&%E2%80%A6 (Year: 2020).*

Ya-Man MediLift Plus Mask, japantrendshop.com, [online], [site visited Apr. 28, 2022], Available from internet URL: <https://www.japantrendshop.com/yaman-medilift-plus-mask-p-5792.html> (Year: 2022).*

* cited by examiner

FIG. 1

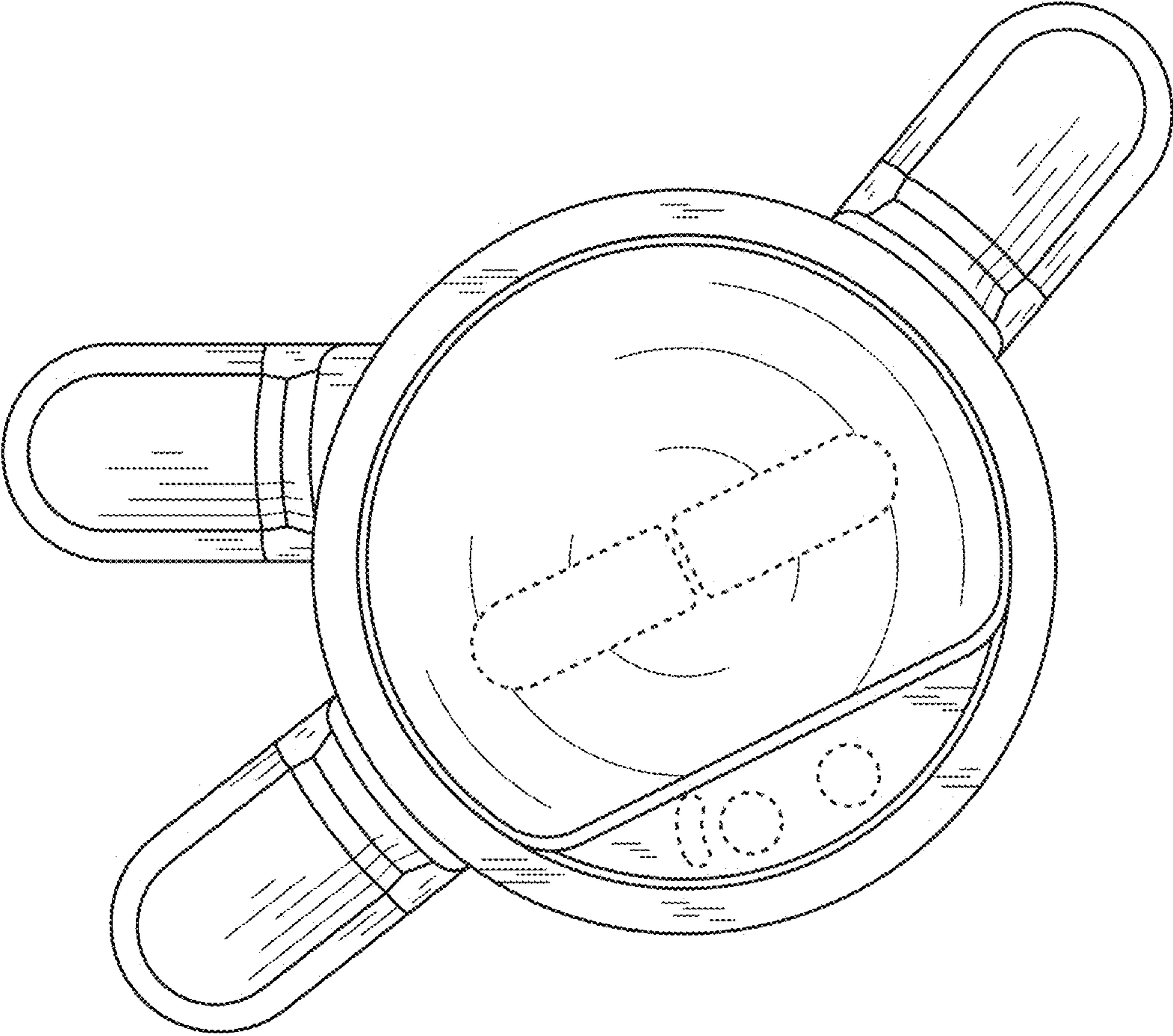


FIG. 2

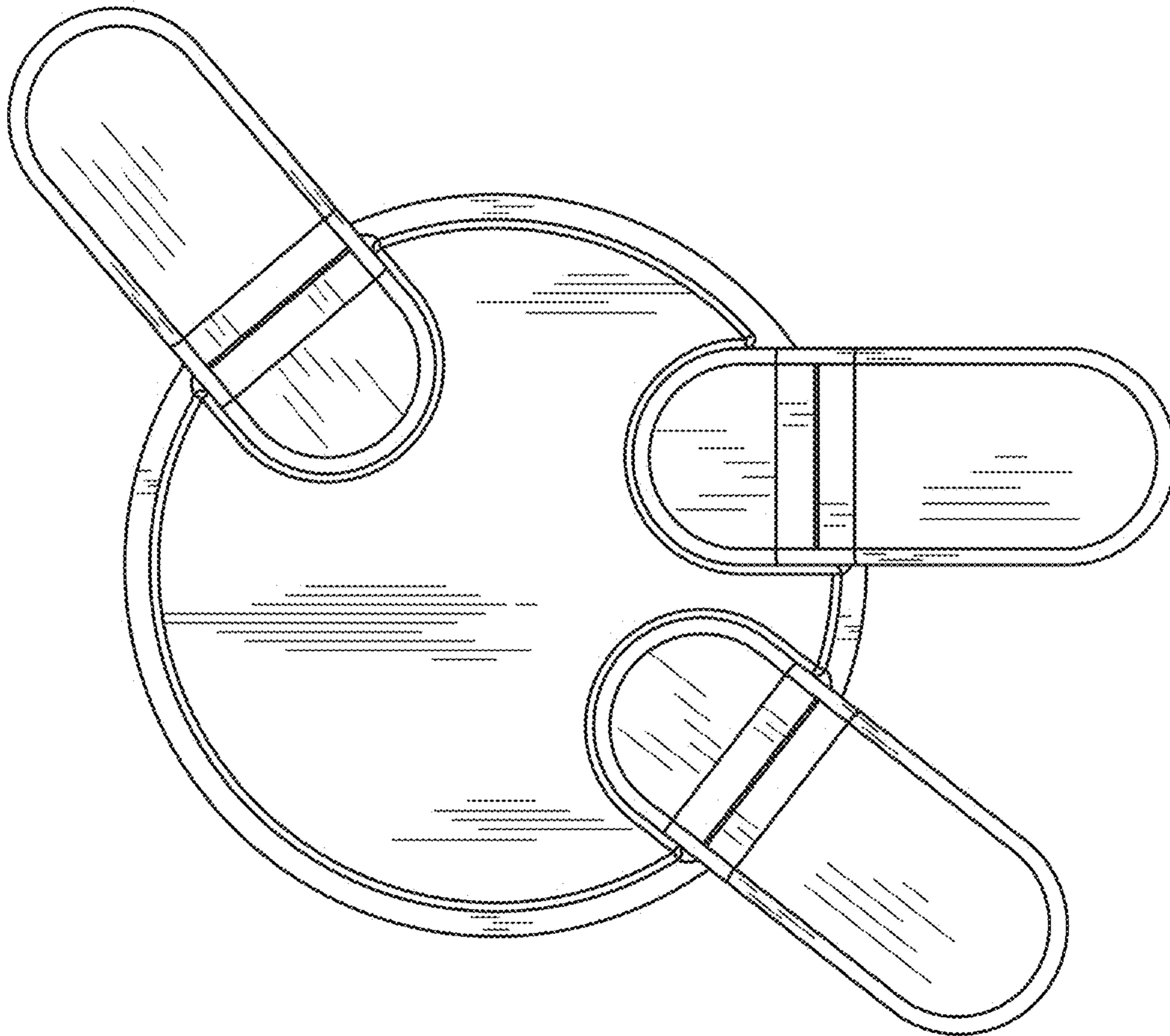


FIG. 3

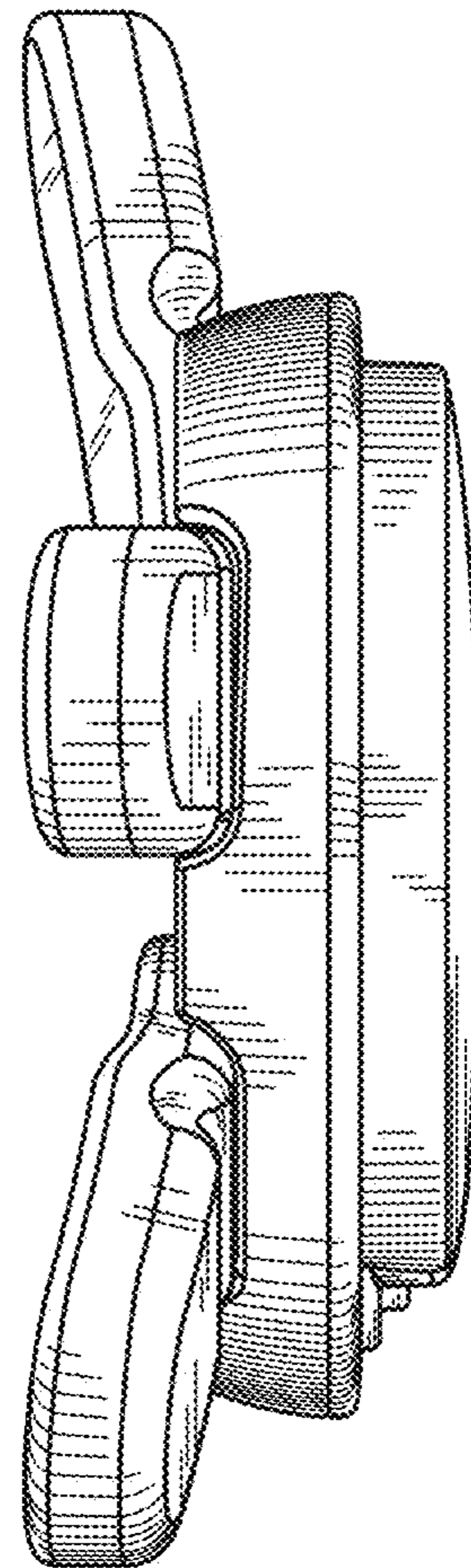


FIG. 4

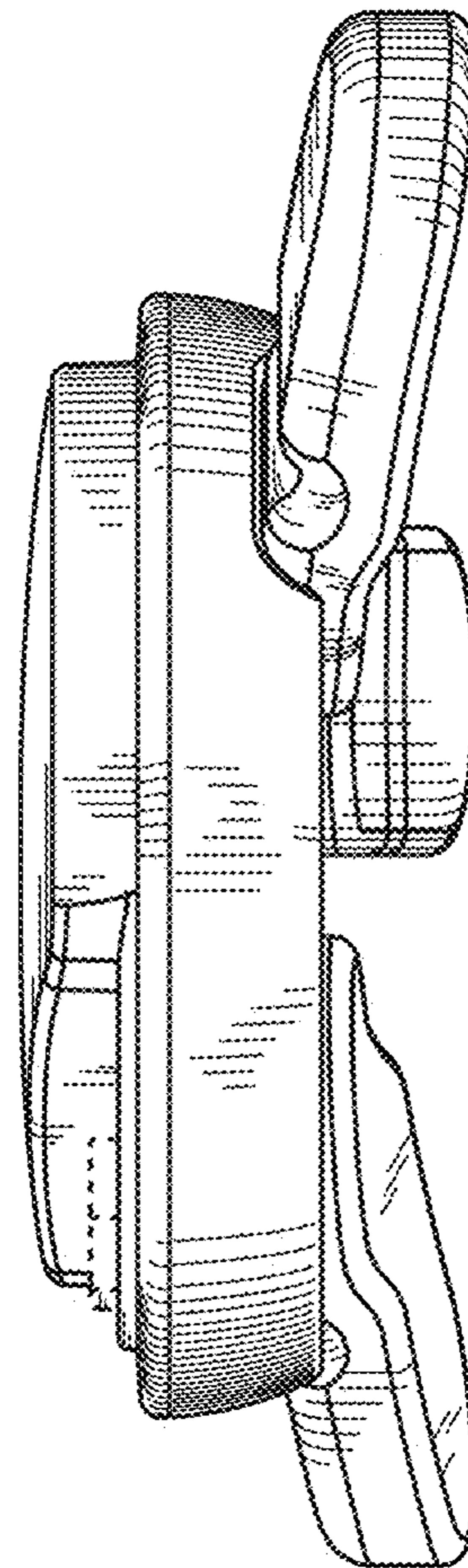


FIG. 5

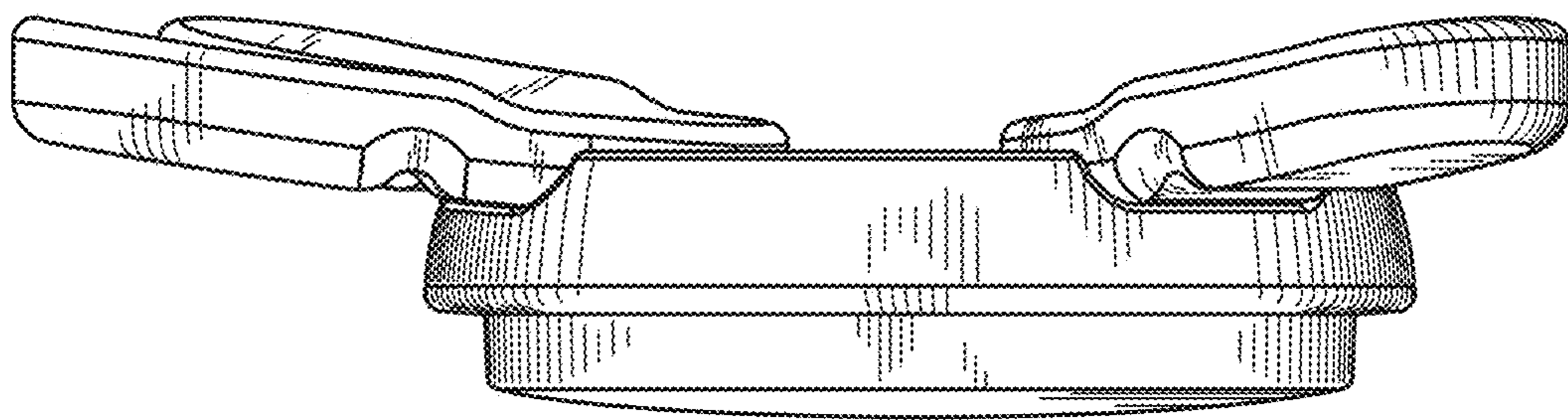


FIG. 6

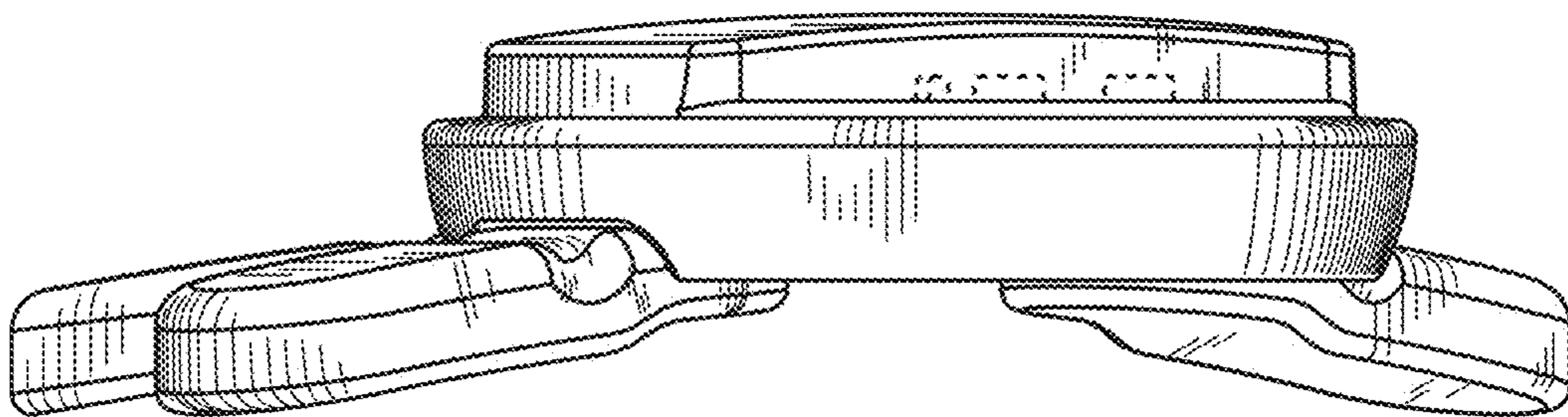


FIG. 7

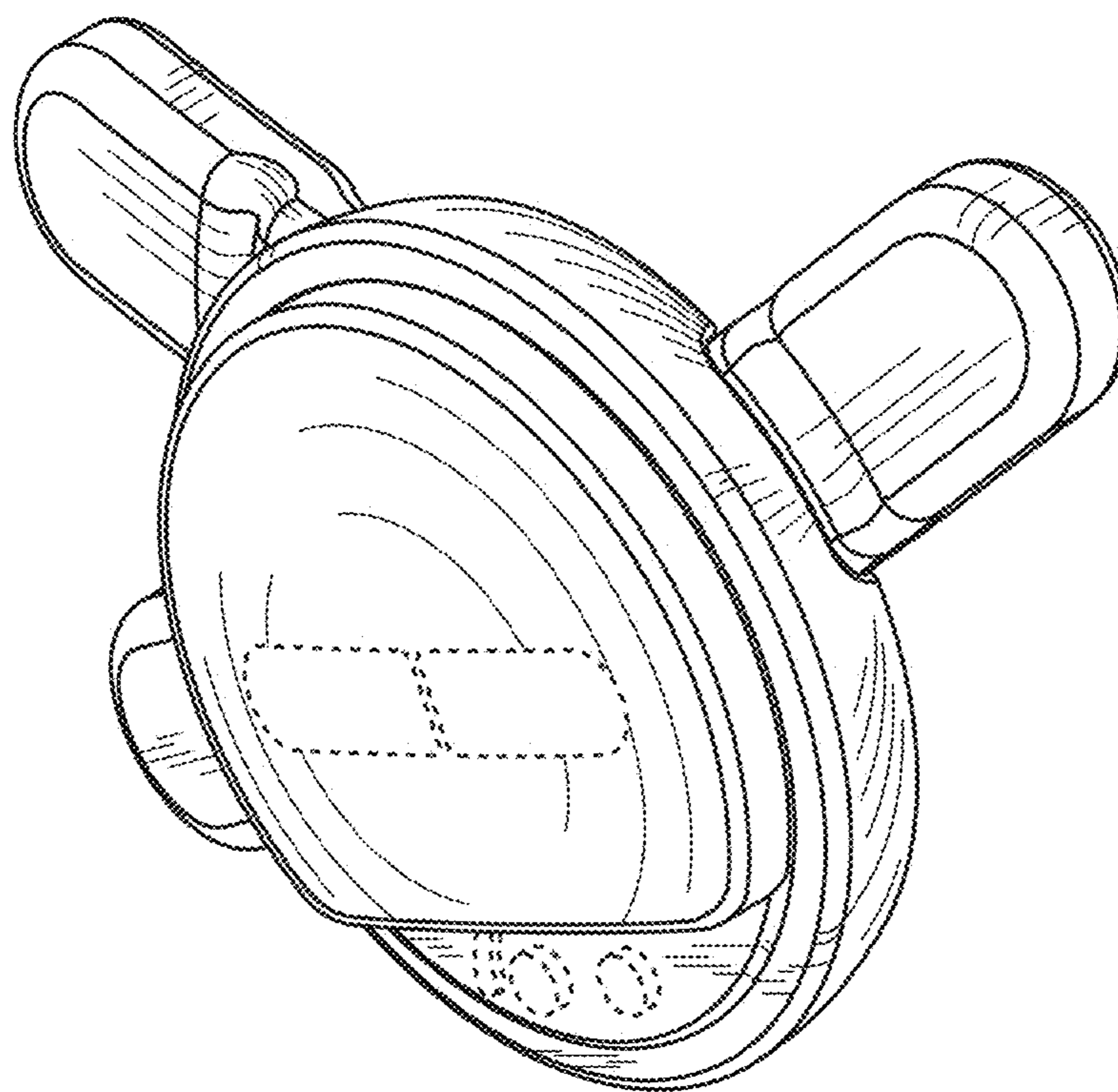


FIG. 8

