

US00D977654S

(12) **United States Design Patent**
Andersen

(10) **Patent No.:** **US D977,654 S**

(45) **Date of Patent:** **** Feb. 7, 2023**

(54) **SENSOR WITH CONNECTOR**

(71) Applicant: **GE Precision Healthcare LLC**,
Milwaukee, WI (US)

(72) Inventor: **Klaus Axel Andersen**, Helsinki (FI)

(73) Assignee: **GE Precision Healthcare LLC**,
Milwaukee, WI (US)

(**) Term: **15 Years**

(21) Appl. No.: **29/764,735**

(22) Filed: **Dec. 31, 2020**

(51) **LOC (14) Cl.** **24-02**

(52) **U.S. Cl.**
USPC **D24/187**

(58) **Field of Classification Search**
USPC D24/107, 164–169, 185, 186, 187, 200,
D24/240; D13/103, 107, 110, 120, 123,
D13/133; D14/356, 358, 383–386, 432,
D14/433, 434, 435, 435.1, 437,
D14/480.1–480.7, 484, 484.1
CPC H05K 5/006; H01R 31/005; H01R 27/02;
B60R 16/02; A61B 5/1473; A61B 5/6833;
A61B 5/688; A61B 5/0002; A61B 5/042;
A61B 5/0404; A61B 5/0416; G01D
11/245

See application file for complete search history.

(56) **References Cited**

U.S. PATENT DOCUMENTS

D393,830 S	*	4/1998	Tobler	D13/133
D603,966 S	*	11/2009	Jones	D24/165
D606,656 S	*	12/2009	Kobayashi	D24/167
D618,803 S	*	6/2010	Lash	D24/168
D621,041 S	*	8/2010	Mao	D24/135
D678,202 S	*	3/2013	Corona	D13/133
D766,183 S	*	9/2016	Corona	D13/133
D773,057 S	*	11/2016	Vandiver	D24/186
D825,568 S	*	8/2018	Morris	D14/433

D856,285 S	*	8/2019	Szymura	D13/147
D877,152 S	*	3/2020	Maus	D14/435.1
D904,417 S	*	12/2020	Cueto	D14/240
D939,504 S	*	12/2021	Zhang	D14/433
D943,532 S	*	2/2022	Zhang	D13/133

FOREIGN PATENT DOCUMENTS

JP D2019-25276 * 8/2020

OTHER PUBLICATIONS

Annual Physical in a Patch: GE Scientists Developing Wearable Multi-Device Sensor Patch that Measures Sweat, Interstitial Fluids and other Key Vitals. Online, published date Sep. 5, 2019. Retrieved on Mar. 9, 2022 from URL: <https://www.ge.com/news/press-releases/annual-physical-patch-ge-scientists-developing-wearable>.*

* cited by examiner

Primary Examiner — Omeed Agilee

(74) *Attorney, Agent, or Firm* — McCoy Russell LLP

(57) **CLAIM**

The ornamental design for a sensor with connector, as shown and described.

DESCRIPTION

FIG. 1 is a top perspective view of a sensor with connector according to the claimed design.

FIG. 2 is a front view of the sensor with connector.

FIG. 3 is a rear view of the sensor with connector.

FIG. 4 is a right side view of the sensor with connector.

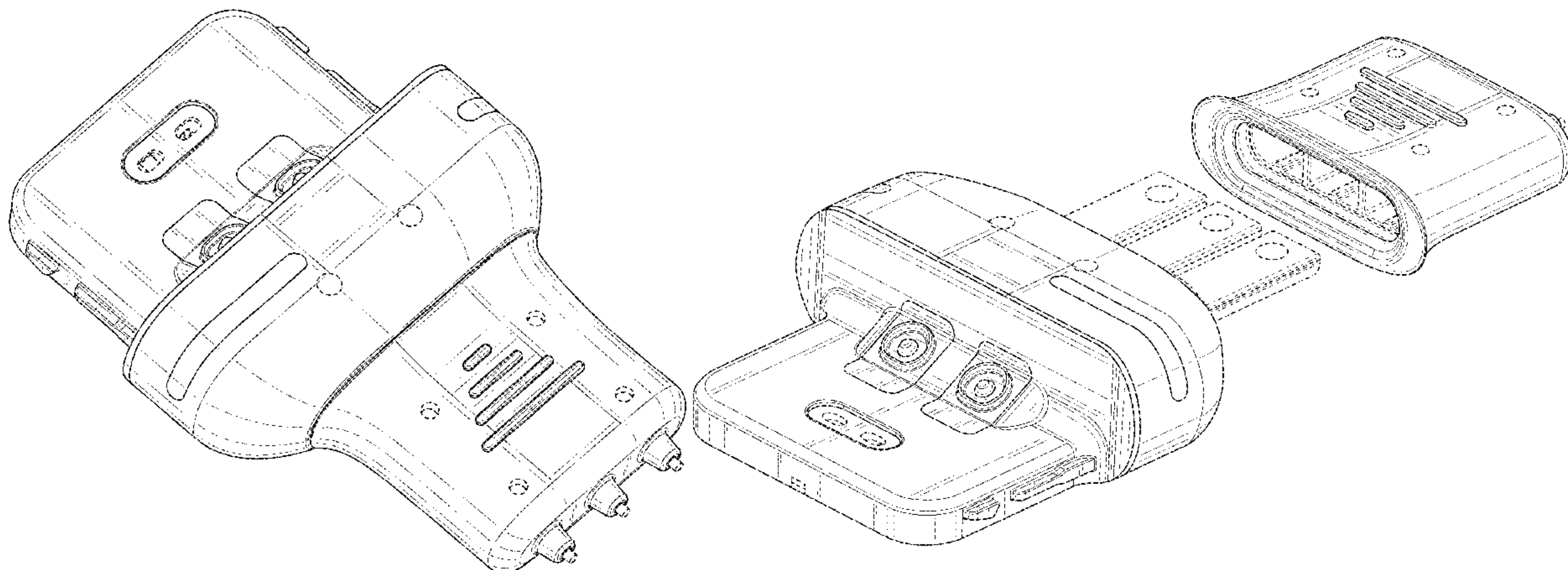
FIG. 5 is a left side view of the sensor with connector.

FIG. 6 is a top view of the sensor with connector.

FIG. 7 is a bottom view of the sensor with connector; and, FIG. 8 is a perspective view of the sensor with connector with the connector in a detached configuration.

The broken lines in the drawings illustrate portions of the sensor with connector that form no part of the claimed design.

1 Claim, 8 Drawing Sheets



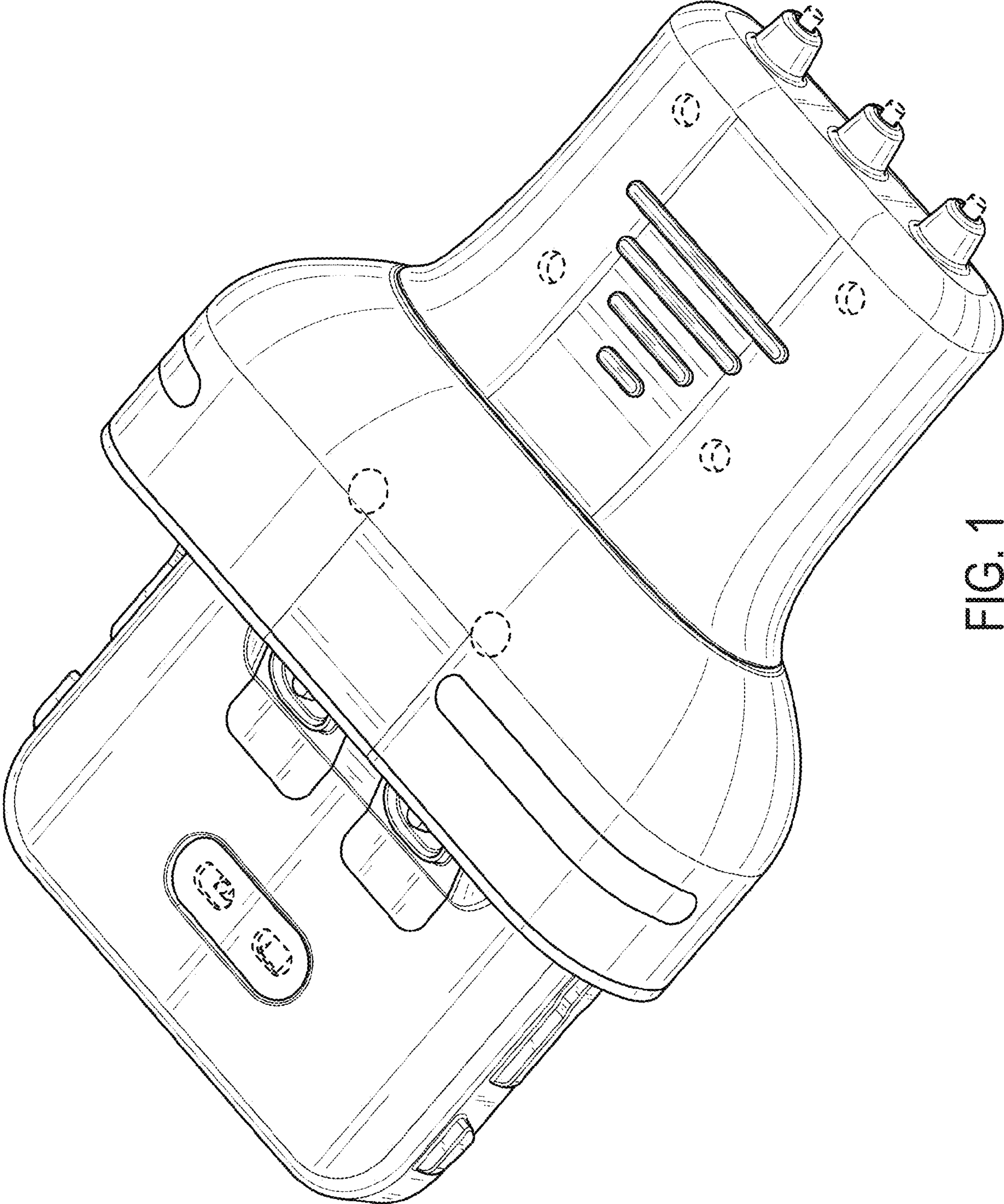


FIG. 1

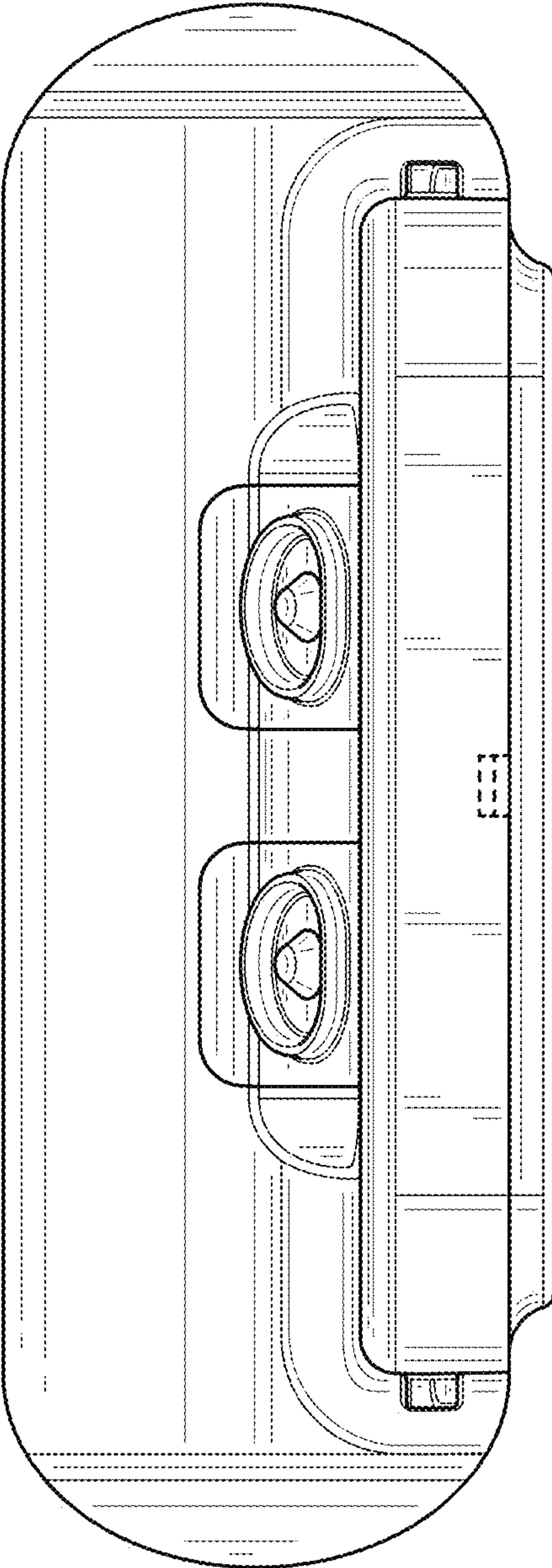


FIG. 2

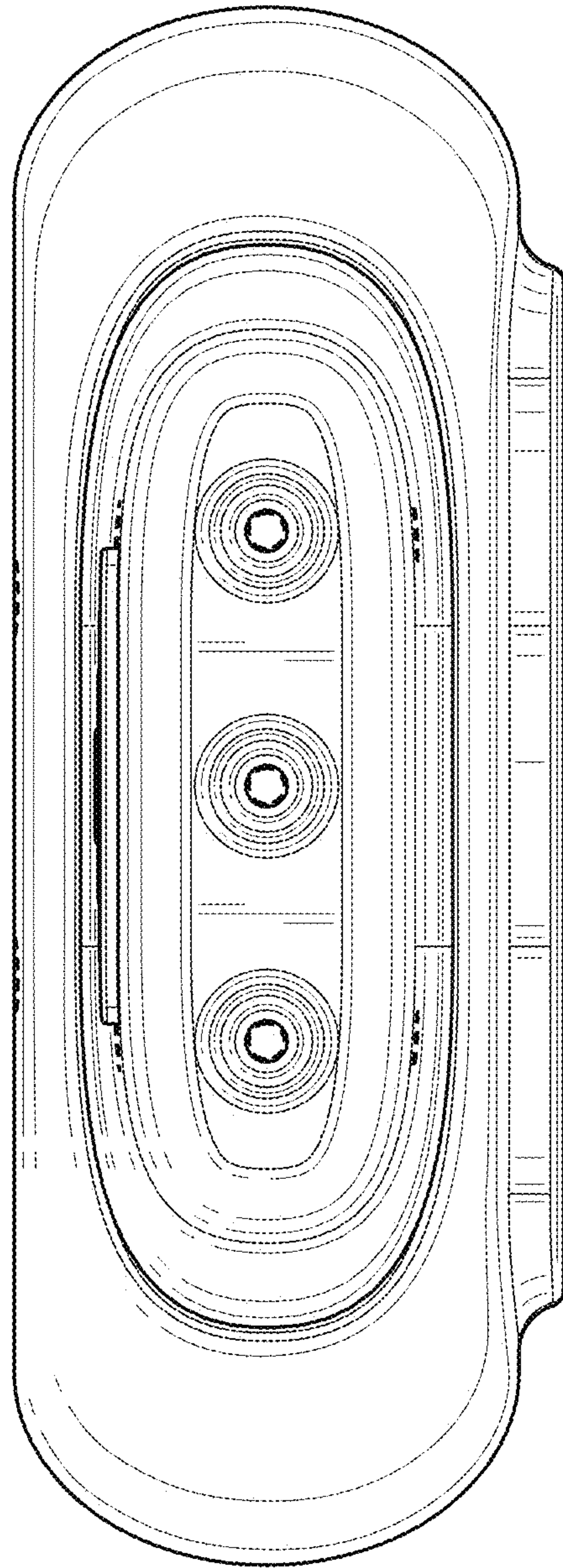


FIG. 3

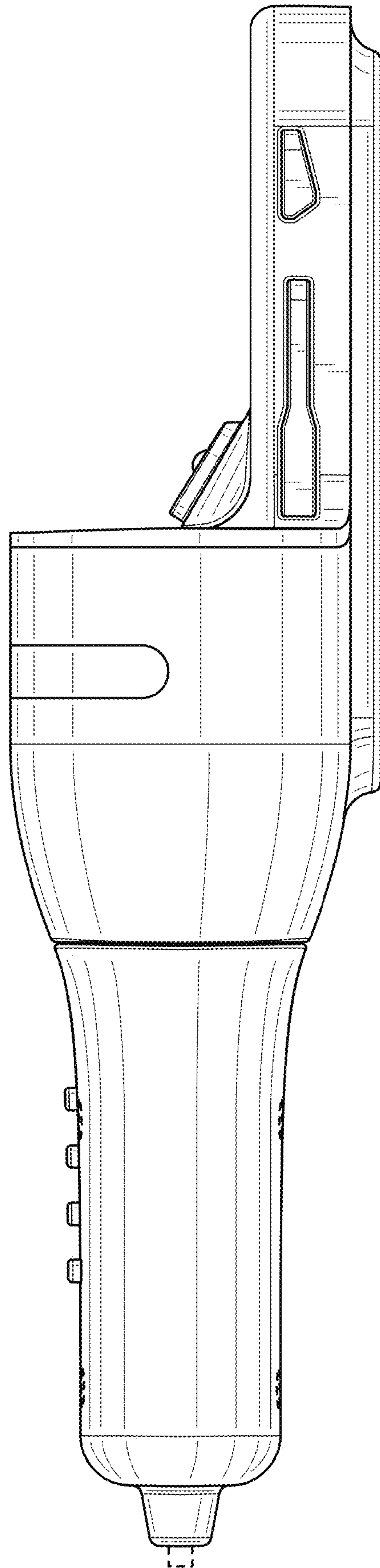


FIG. 4

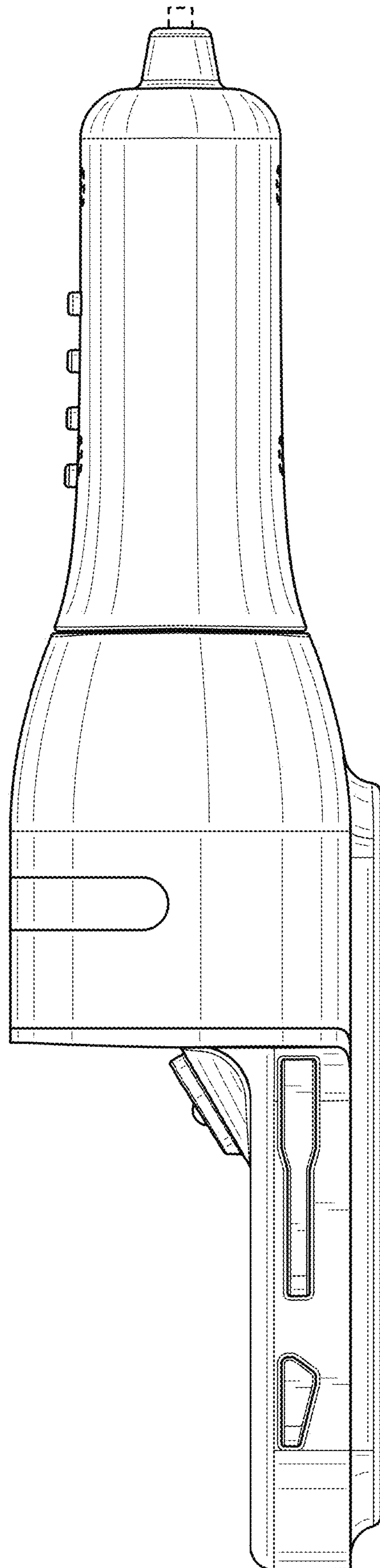


FIG. 5

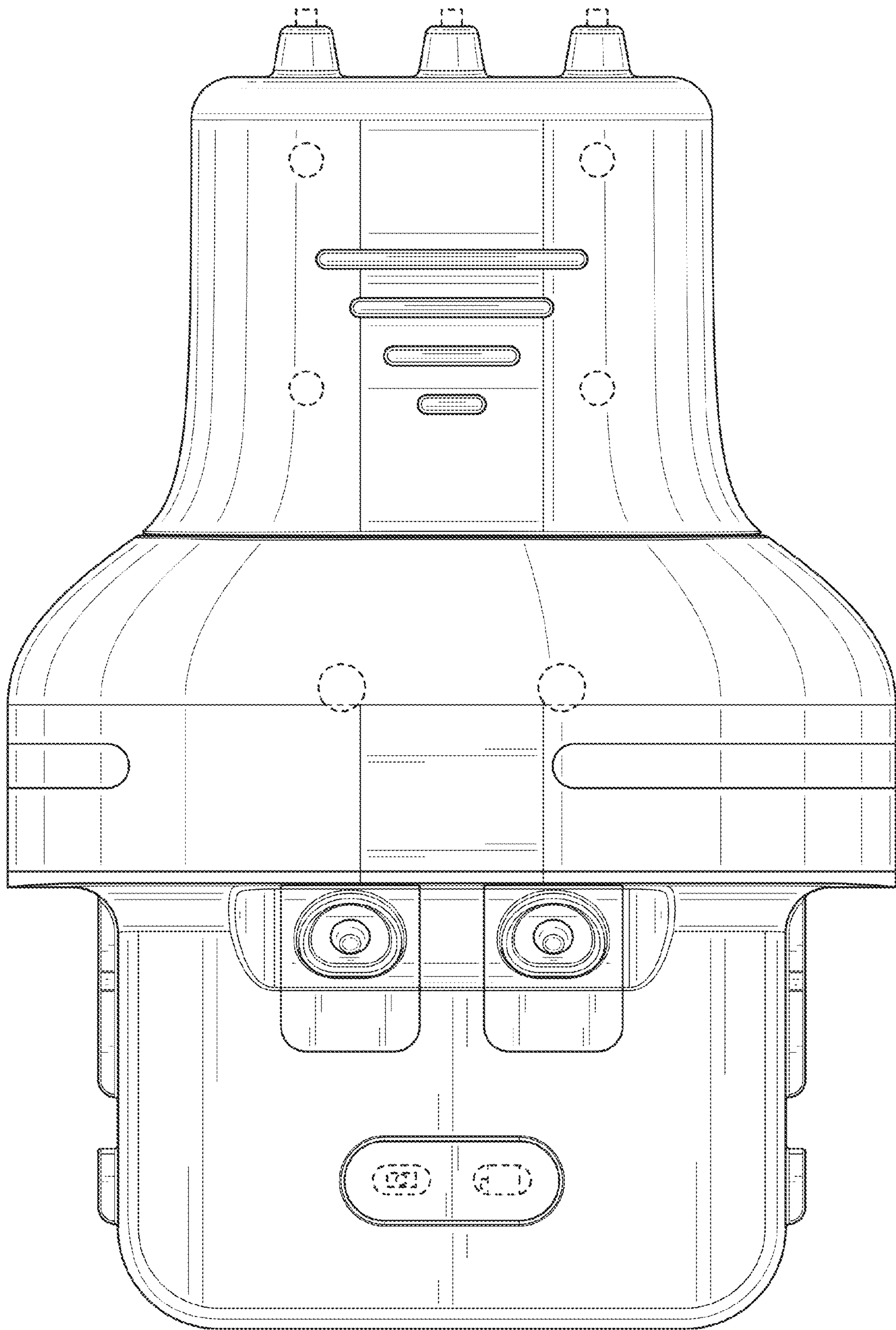


FIG. 6

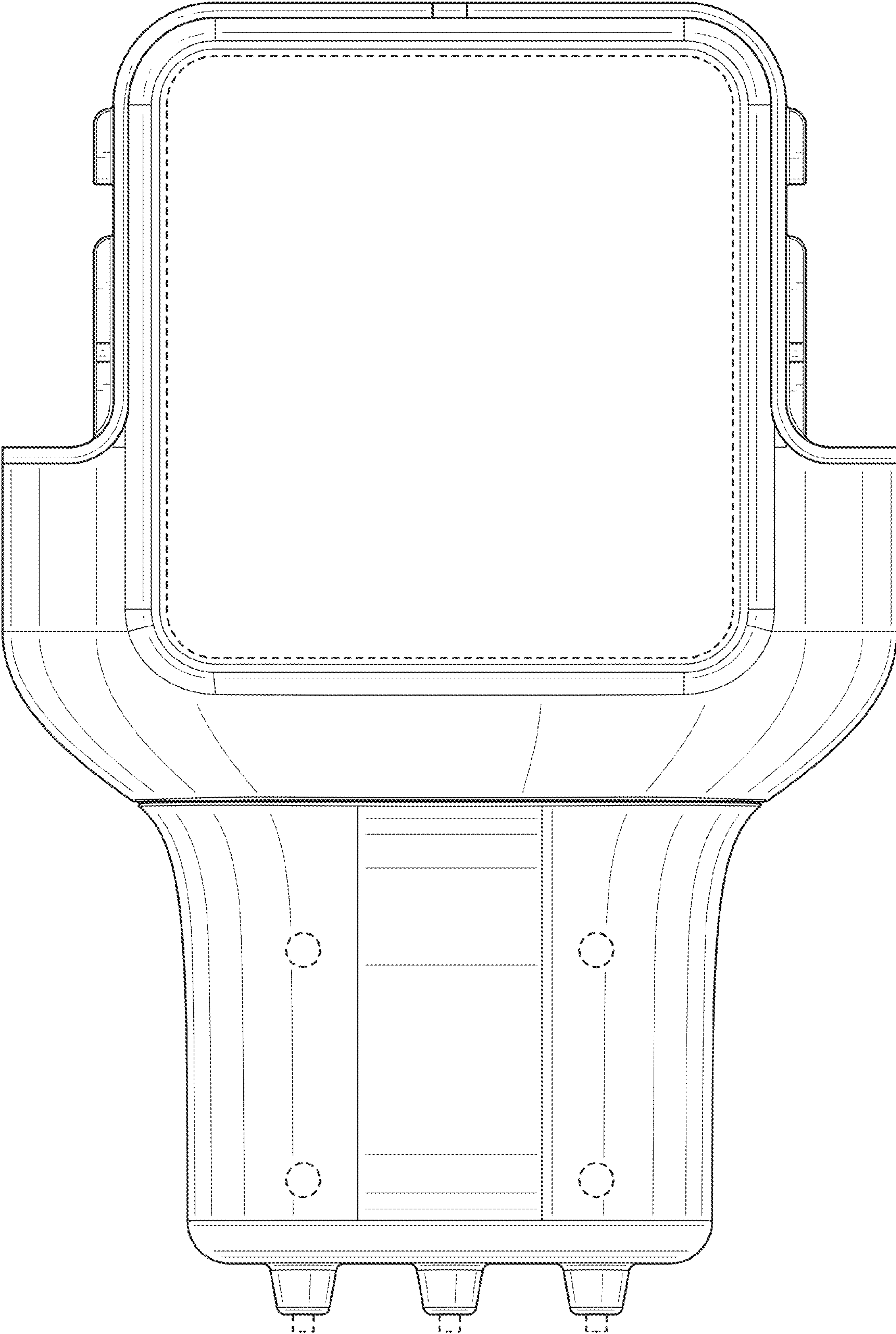


FIG. 7

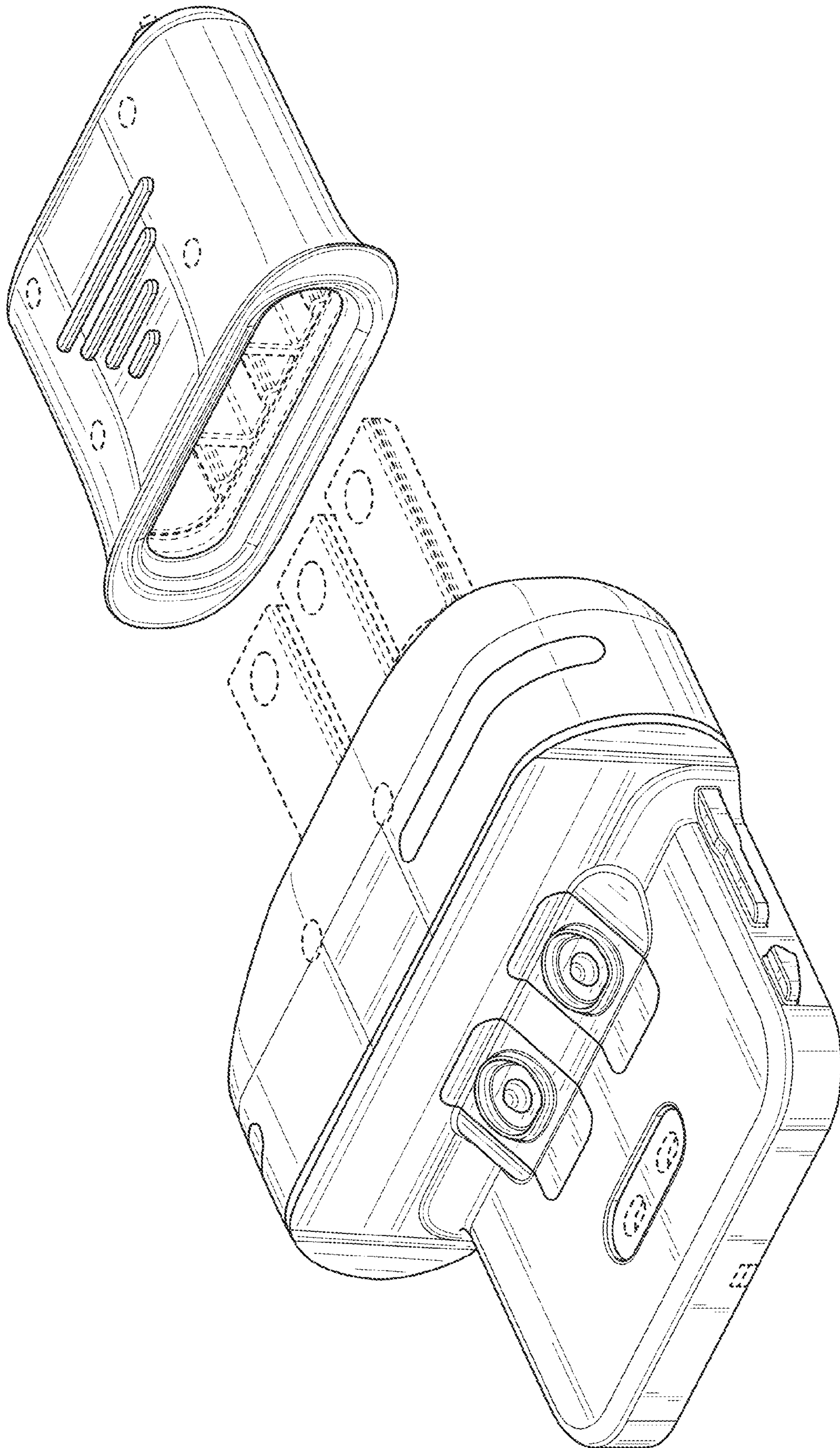


FIG. 8