



US00D977652S

(12) **United States Design Patent**
Nguyen et al.

(10) **Patent No.:** **US D977,652 S**
(45) **Date of Patent:** **** Feb. 7, 2023**

(54) **MANDIBULAR ADVANCEMENT DEVICE**

(71) Applicant: **Peacefulsleep Pty Ltd**, Maribyrnong (AU)

(72) Inventors: **Hoang Nguyen**, Reservoir (AU);
Thanh Thuy Ho, Doncaster (AU)

(73) Assignee: **Peacefulsleep Pty Ltd**, Maribyrnong (AU)

(**) Term: **15 Years**

(21) Appl. No.: **29/766,233**

(22) Filed: **Jan. 14, 2021**

(30) **Foreign Application Priority Data**

Jul. 15, 2020 (AU) 202013871

(51) **LOC (14) Cl.** **24-02**

(52) **U.S. Cl.**
USPC **D24/181**

(58) **Field of Classification Search**
USPC D24/107, 152, 176, 180-182; D29/108
(Continued)

(56) **References Cited**

U.S. PATENT DOCUMENTS

D281,532 S * 11/1985 Weissman A61C 19/066
D24/181
5,537,994 A * 7/1996 Thornton A61F 5/566
128/201.18

(Continued)

FOREIGN PATENT DOCUMENTS

KR 300885778.0000 * 12/2016

Primary Examiner — Jonathan J Han

Assistant Examiner — Amanda J Berlinski

(74) *Attorney, Agent, or Firm* — Pilloff Passino & Cosenza LLP; Sean A. Passino; Rachel K. Pilloff

(57) **CLAIM**

The ornamental design for a mandibular advancement device, as shown and described.

DESCRIPTION

FIG. 1 is an exploded perspective view of a mandibular advancement device showing our design.

FIG. 2 is a perspective view of the lower component thereof.

FIG. 3 is a bottom plan view of the lower component thereof.

FIG. 4 is a top plan view of the lower component thereof.

FIG. 5 is a front elevation view of the lower component thereof.

FIG. 6 is a rear elevation view of the lower component thereof.

FIG. 7 is a left-side elevation view of the lower component thereof.

FIG. 8 is a right-side elevation view of the lower component thereof.

FIG. 9 is a perspective view of the upper component thereof.

FIG. 10 is a bottom plan view of the upper component thereof.

FIG. 11 is a top plan view of the upper component thereof.

FIG. 12 is a front elevation view of the upper component thereof.

FIG. 13 is a rear elevation view of the upper component thereof.

FIG. 14 is a left-side elevation view of the upper component thereof.

FIG. 15 is a right-side elevation view of the upper component thereof.

FIG. 16 is a perspective view of the assembled components thereof.

FIG. 17 is a bottom plan view of the assembled components thereof.

FIG. 18 is a top plan view of the assembled components thereof.

FIG. 19 is a front elevation view of the assembled components thereof.

FIG. 20 is a rear elevation view of the assembled components thereof.

FIG. 21 is a left-side elevation view of the assembled components thereof; and,

(Continued)

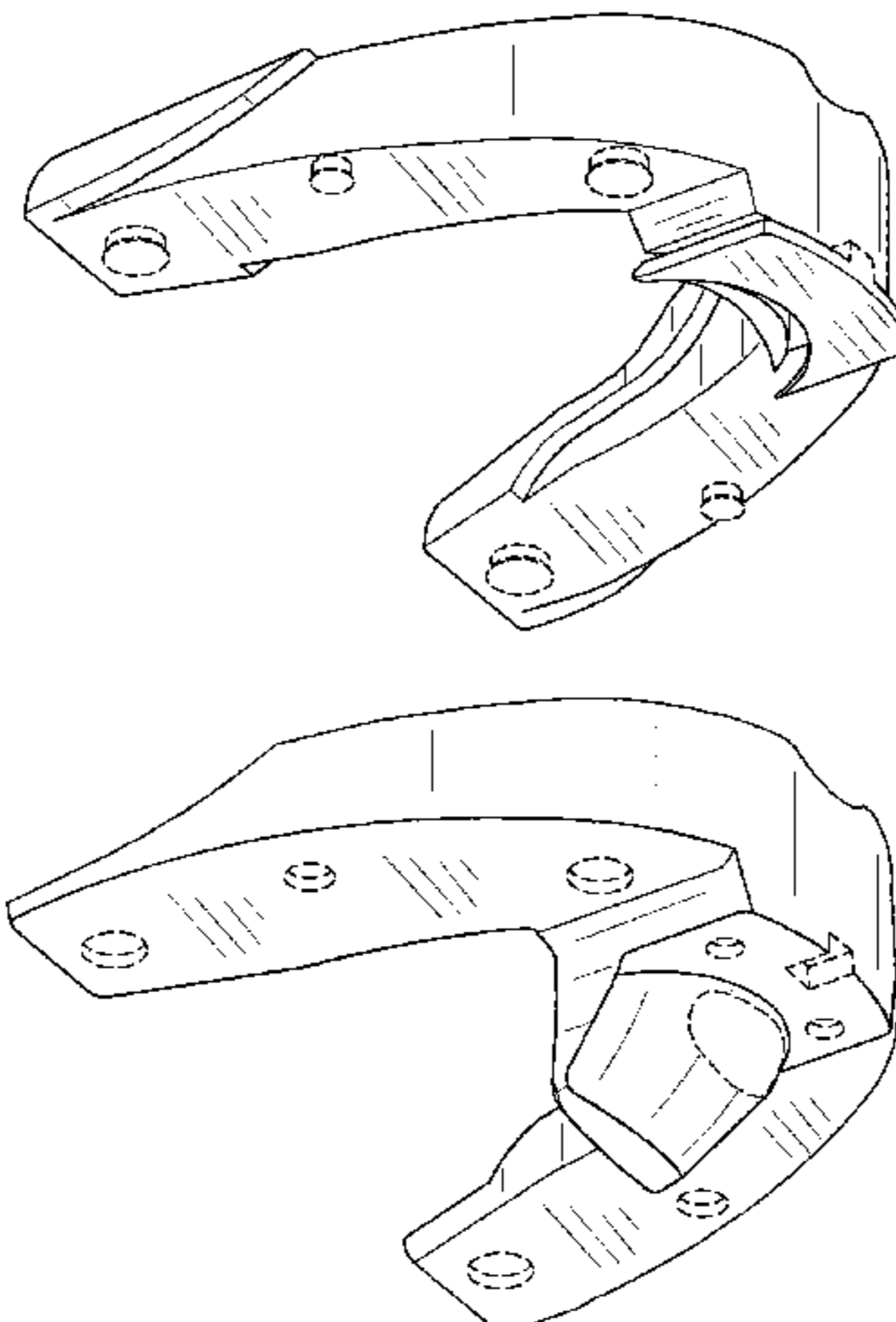


FIG. 22 is a right-side elevation view of the assembled components thereof.

The broken line disclosure showing portions of the mandibular advancement device is for illustrative purposes only and forms no part of the claimed design.

1 Claim, 22 Drawing Sheets

(58) Field of Classification Search

CPC A61F 5/566; A61F 5/56; A61F 2005/563; A61C 7/08; A61C 7/36; A61B 5/4818; A61B 5/682; A61B 5/4542

See application file for complete search history.

(56) References Cited

U.S. PATENT DOCUMENTS

5,823,193 A * 10/1998 Singer A61F 5/566
128/848
7,040,897 B2 * 5/2006 Fischer A61C 19/066
433/216
D537,986 S * 3/2007 Manzo D29/108
D621,942 S * 8/2010 Massad D24/181
D629,909 S * 12/2010 Chiu D24/181
8,312,884 B2 * 11/2012 Fuselier A61F 5/566
128/848
RE44,078 E * 3/2013 Farrell D29/108

D715,949 S * 10/2014 Lee A61C 19/08
D24/181
D743,108 S * 11/2015 Charlton A61C 7/36
D29/108
D821,036 S * 6/2018 Mahoney A61F 5/566
D29/108
D832,447 S * 10/2018 Wiffen A61F 5/566
D24/181
10,383,761 B2 * 8/2019 Fallon A61F 5/566
D872,281 S * 1/2020 Brauteseth A61F 5/566
D24/181
11,045,348 B2 * 6/2021 Giridharagopalan .. A61C 11/00
11,246,744 B2 * 2/2022 Shin A61B 5/4818
D952,159 S * 5/2022 Massad D24/181
D955,583 S * 6/2022 Webster D24/181
D957,646 S * 7/2022 Leonhardt D24/181
2012/0199136 A1 * 8/2012 Urbano A61C 7/36
128/848
2014/0352701 A1 * 12/2014 Ingemarsson-Matzen
A61F 5/566
128/848
2015/0216715 A1 * 8/2015 Chung A61F 5/566
128/848
2015/0216716 A1 * 8/2015 Anitua Aldecoa A61C 7/08
128/848
2015/0313751 A1 * 11/2015 Kenyon A61F 5/566
128/848
2019/0151042 A1 * 5/2019 Holman A61C 9/0006
2021/0282912 A1 * 9/2021 Buckley A61C 19/08
2021/0401614 A1 * 12/2021 Shin A61B 5/4818

* cited by examiner

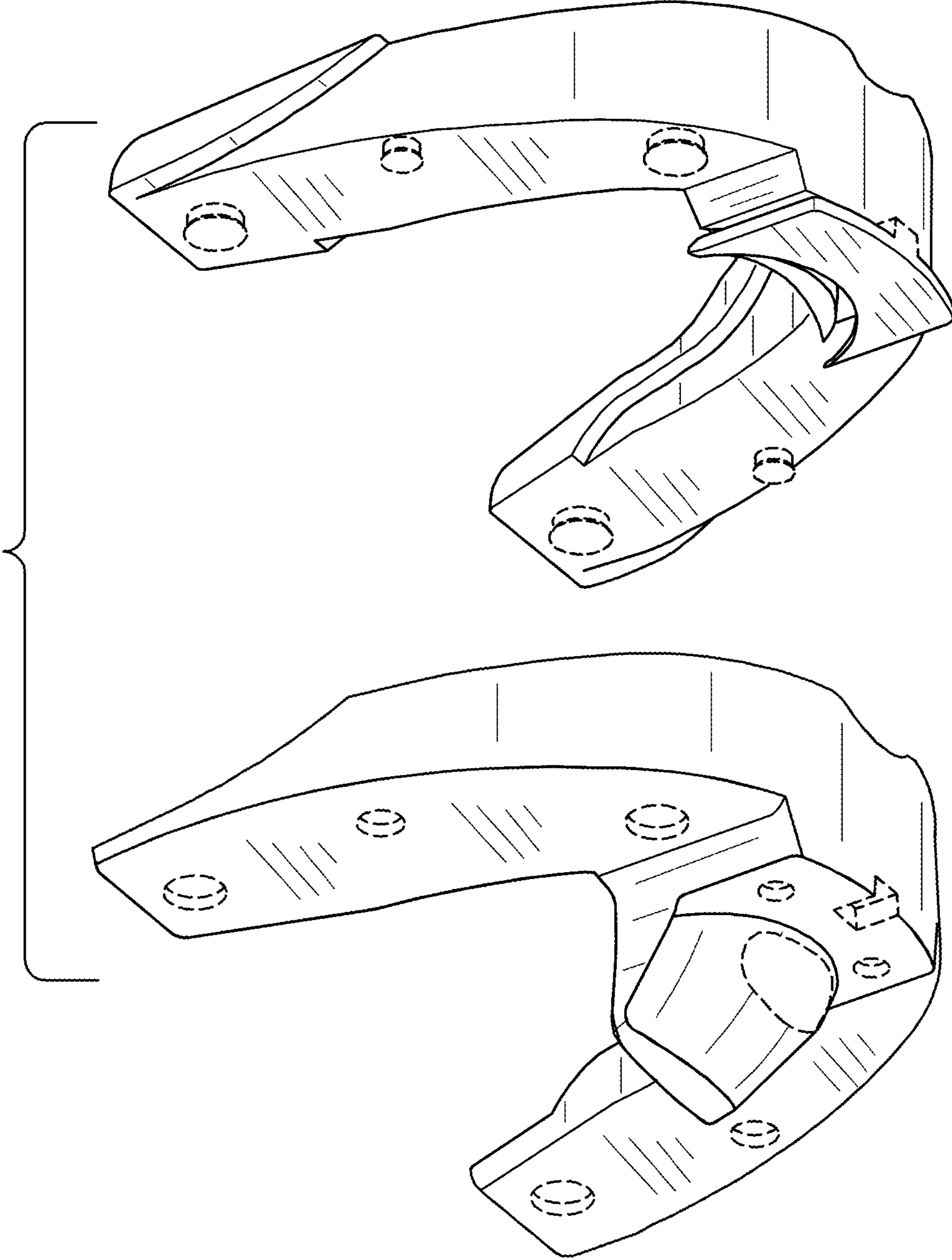


FIGURE 1

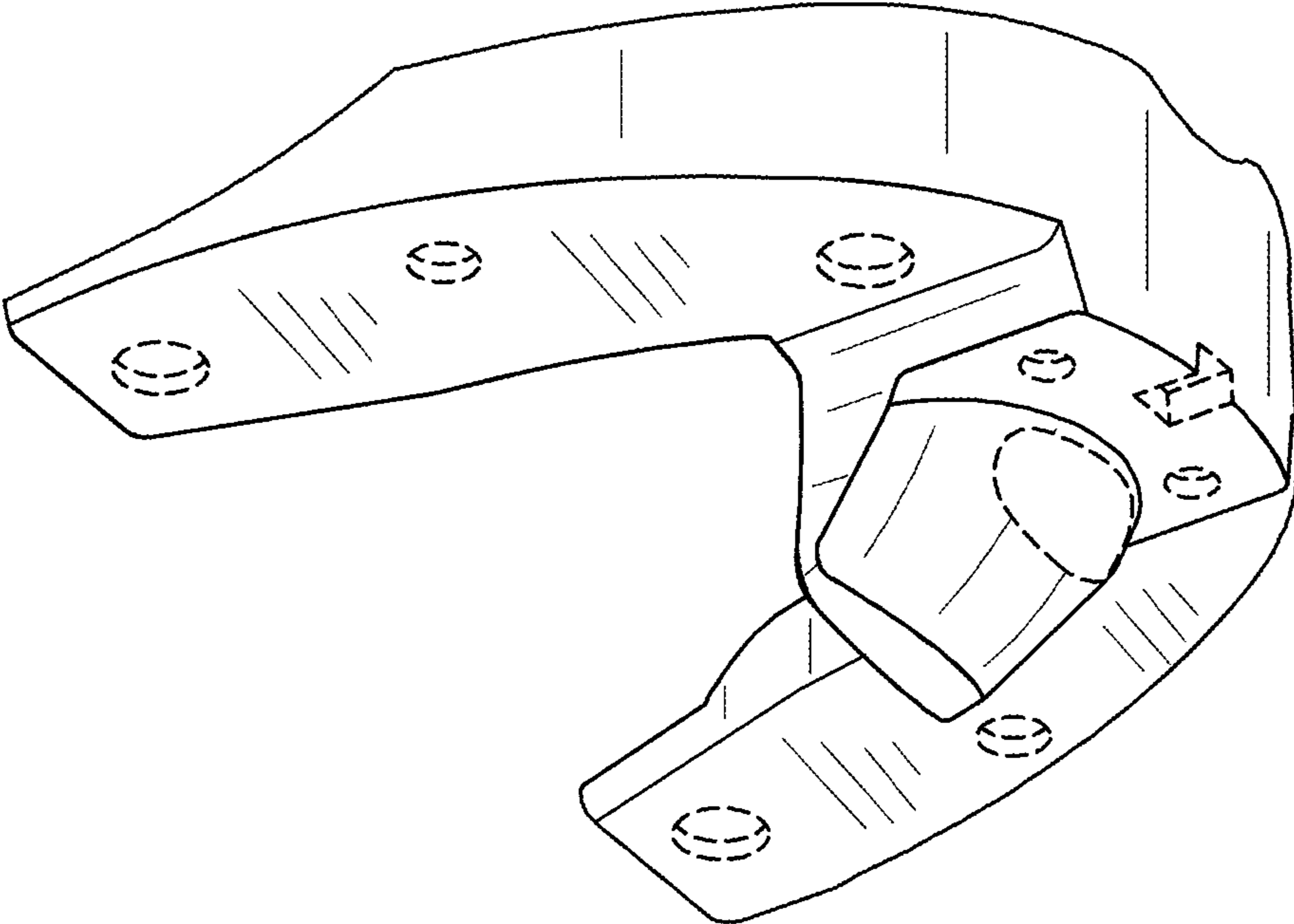


FIGURE 2

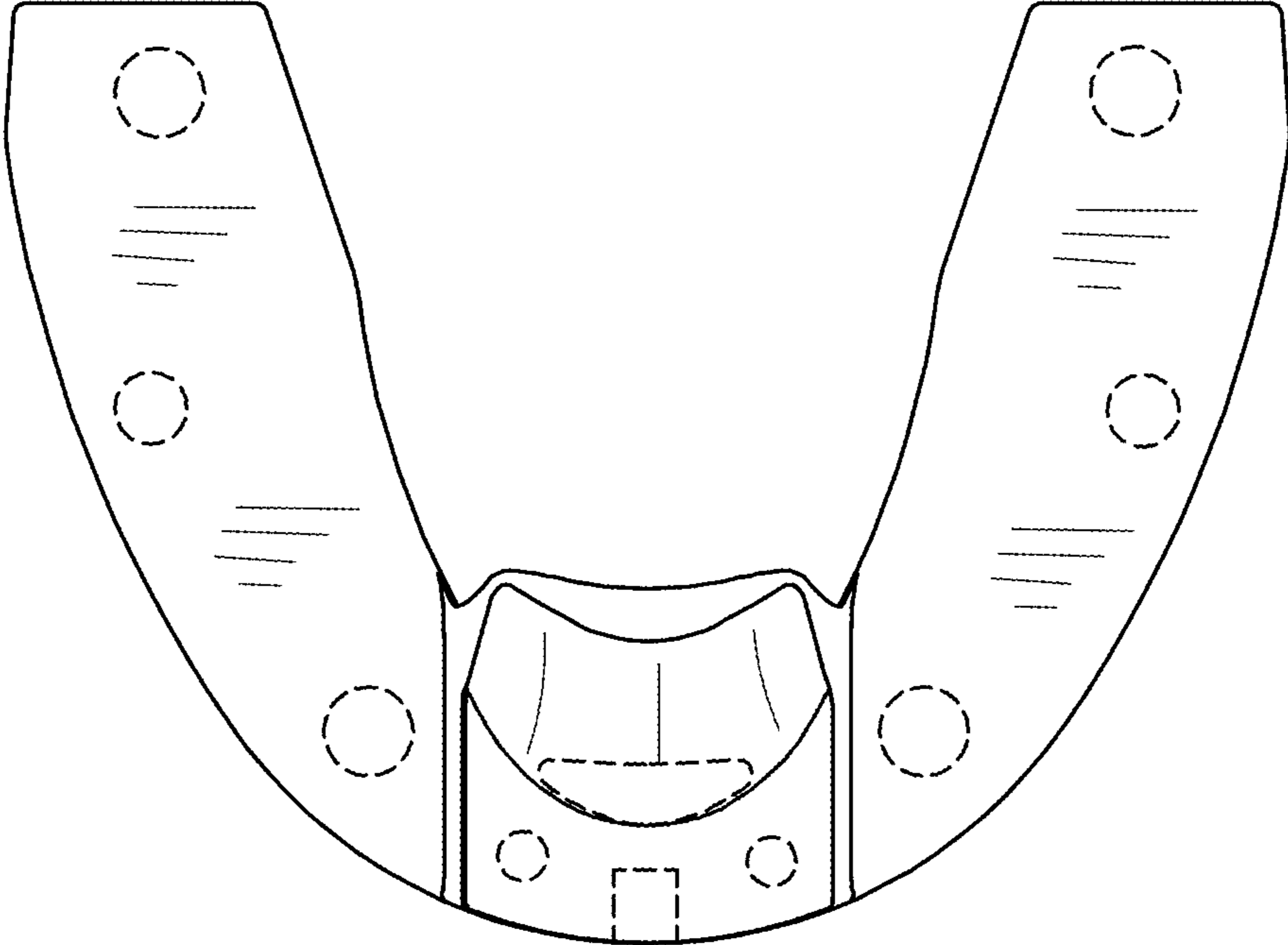


FIGURE 3

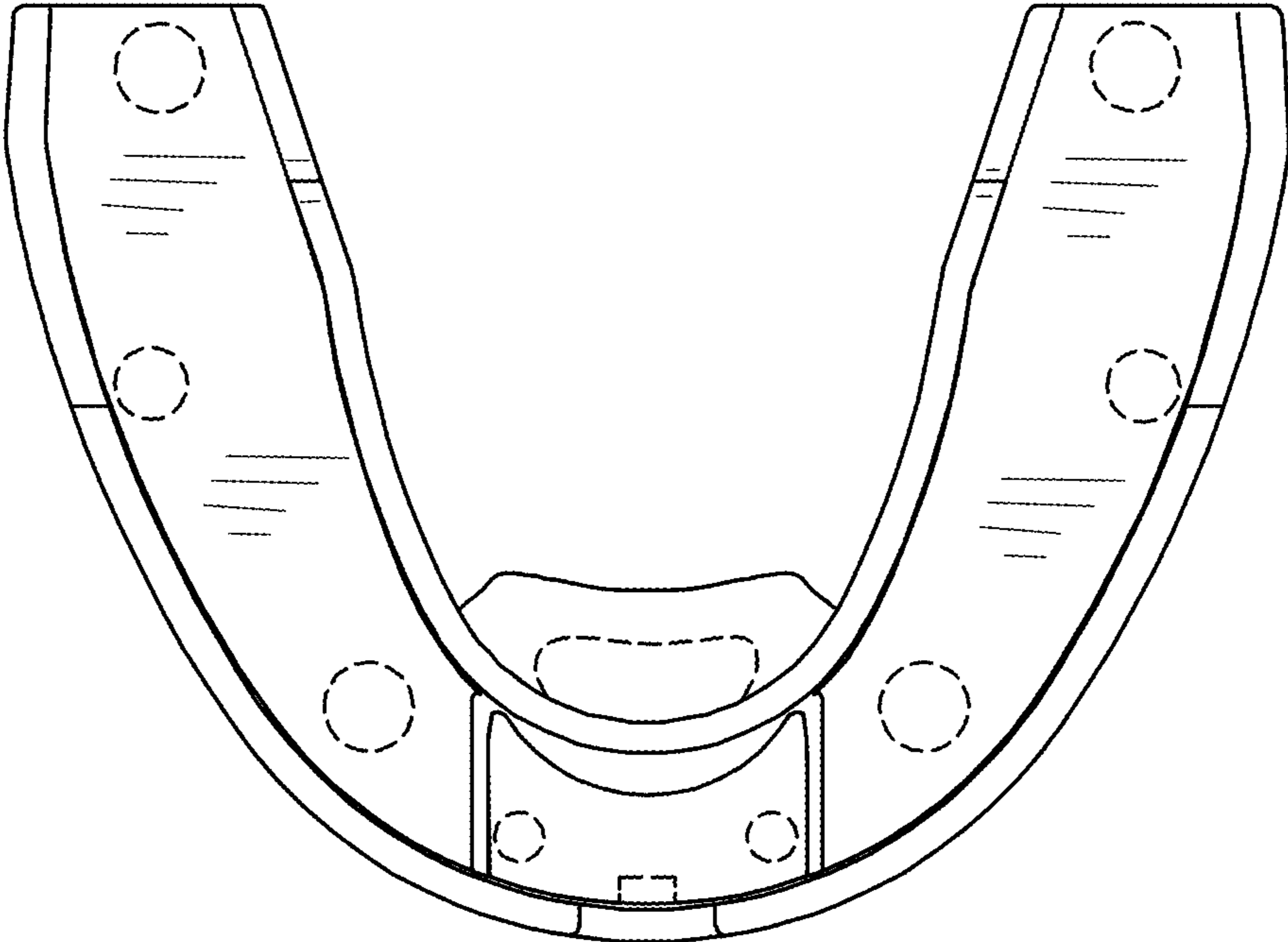


FIGURE 4

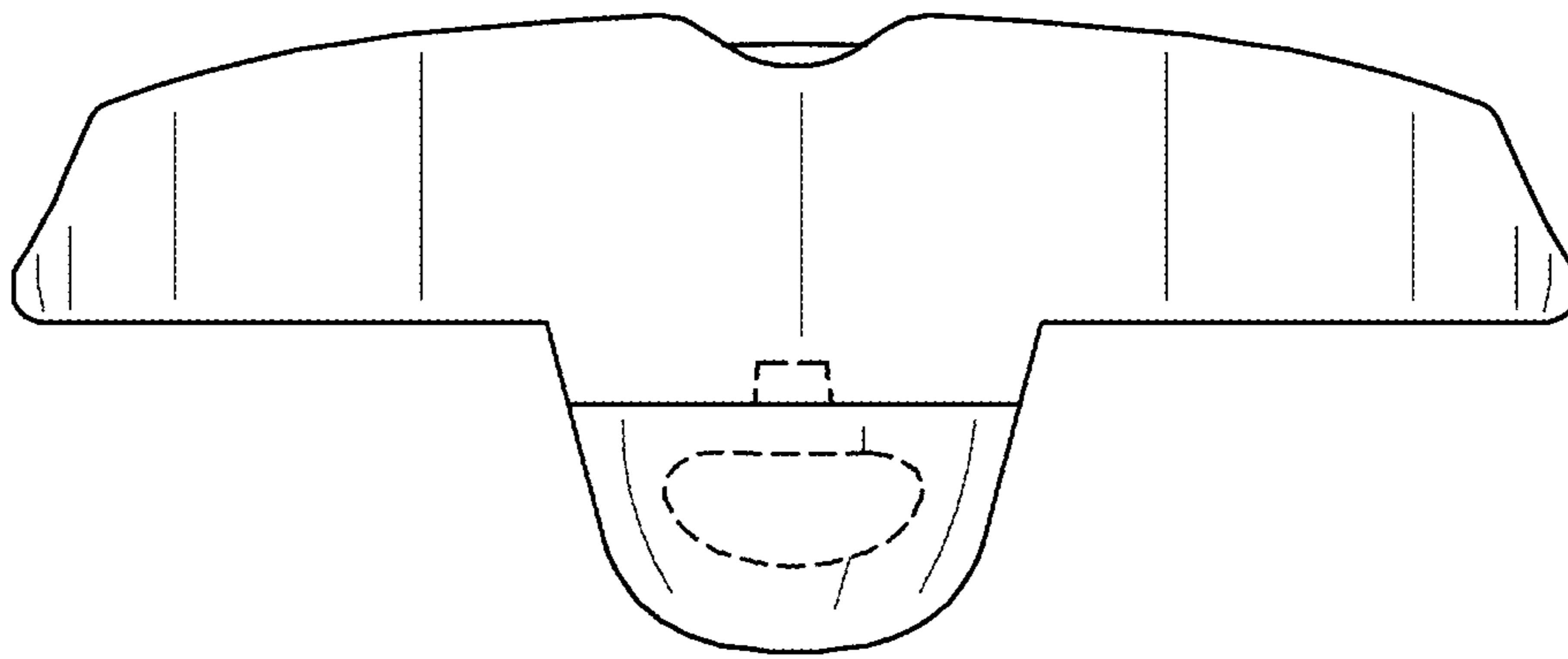


FIGURE 5

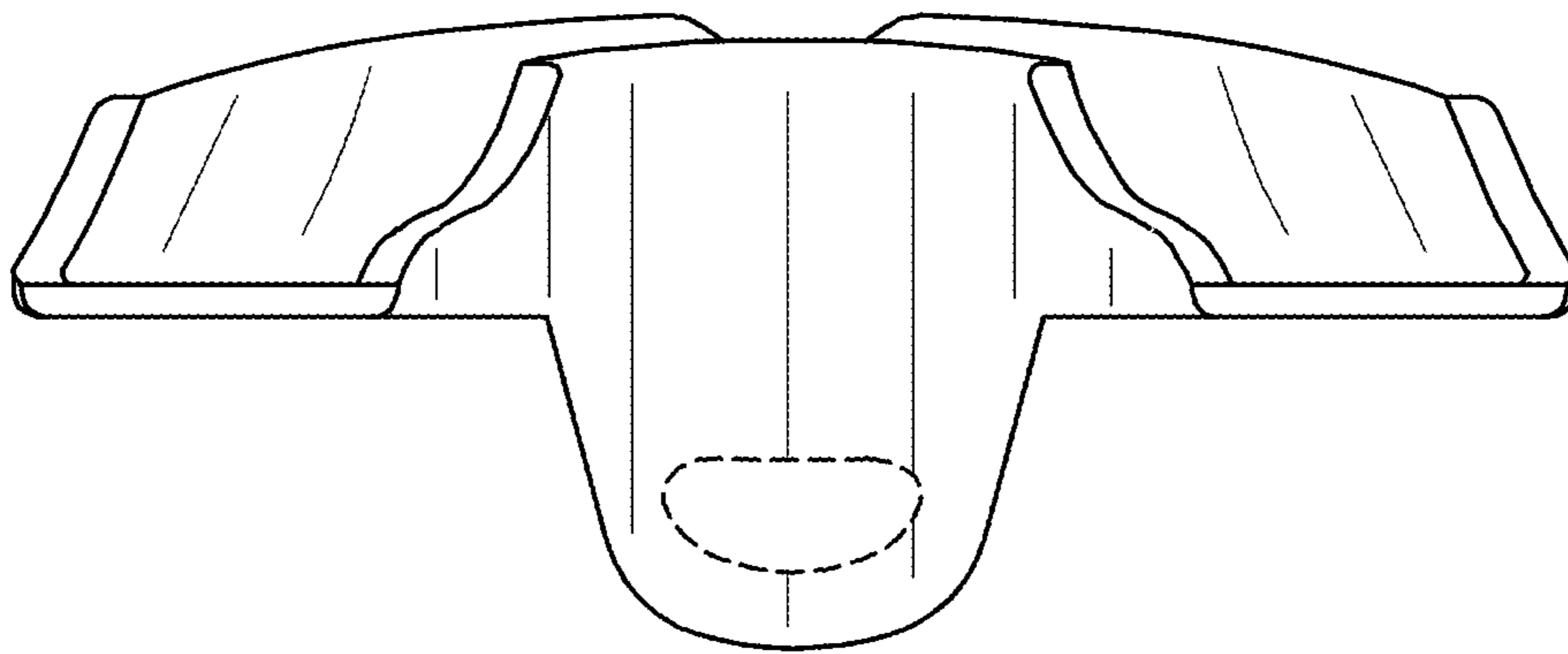


FIGURE 6

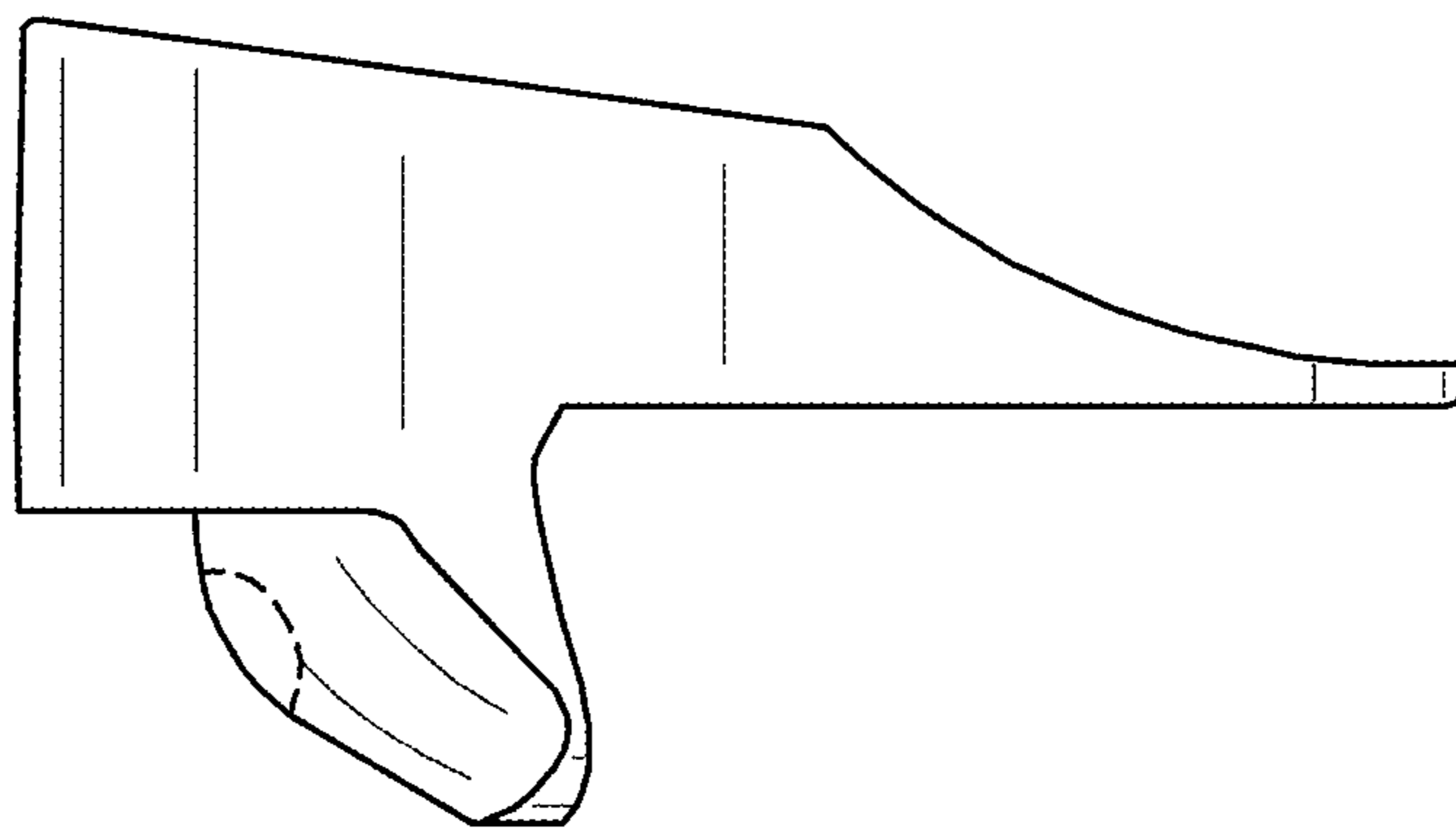


FIGURE 7

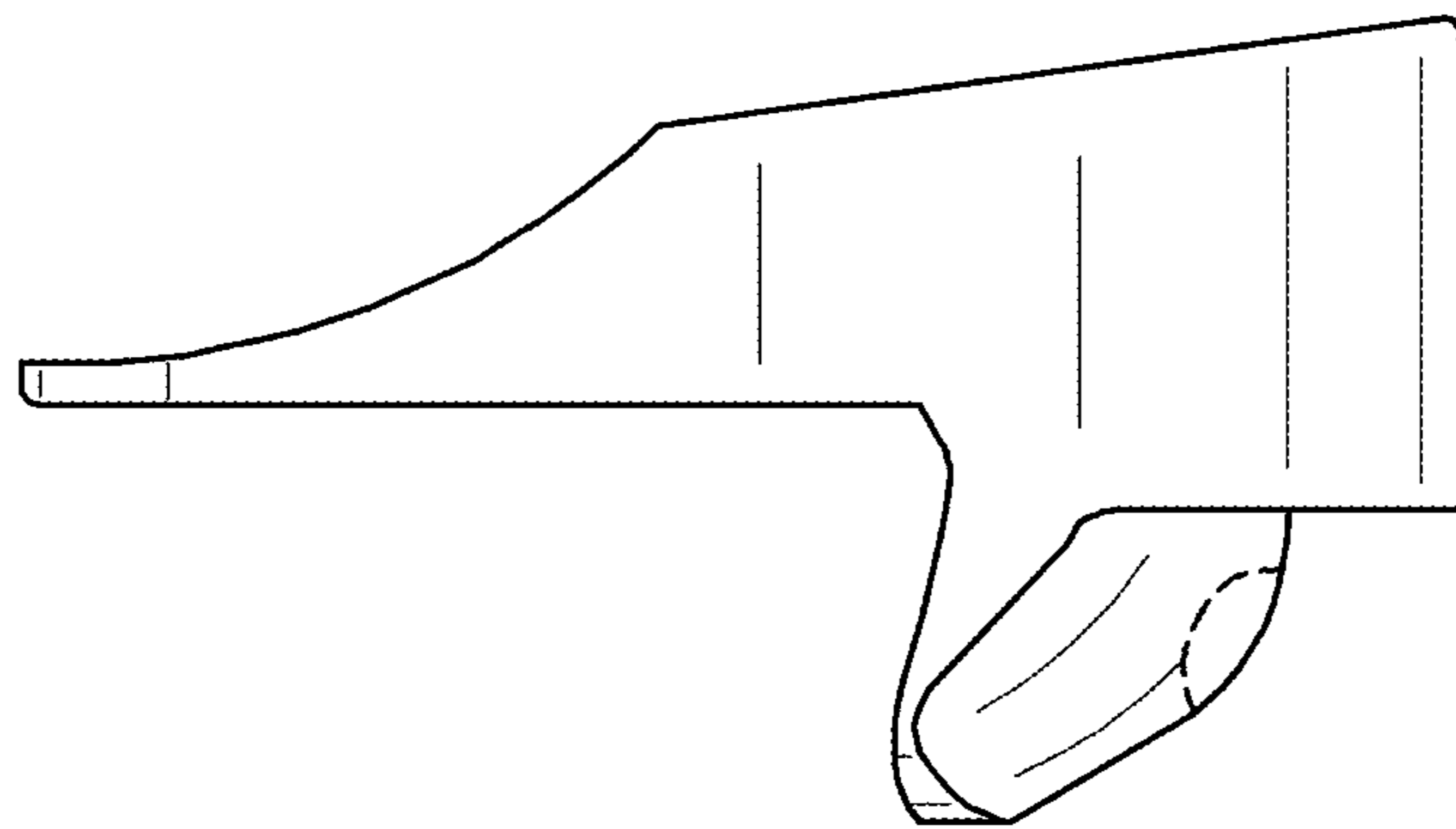


FIGURE 8

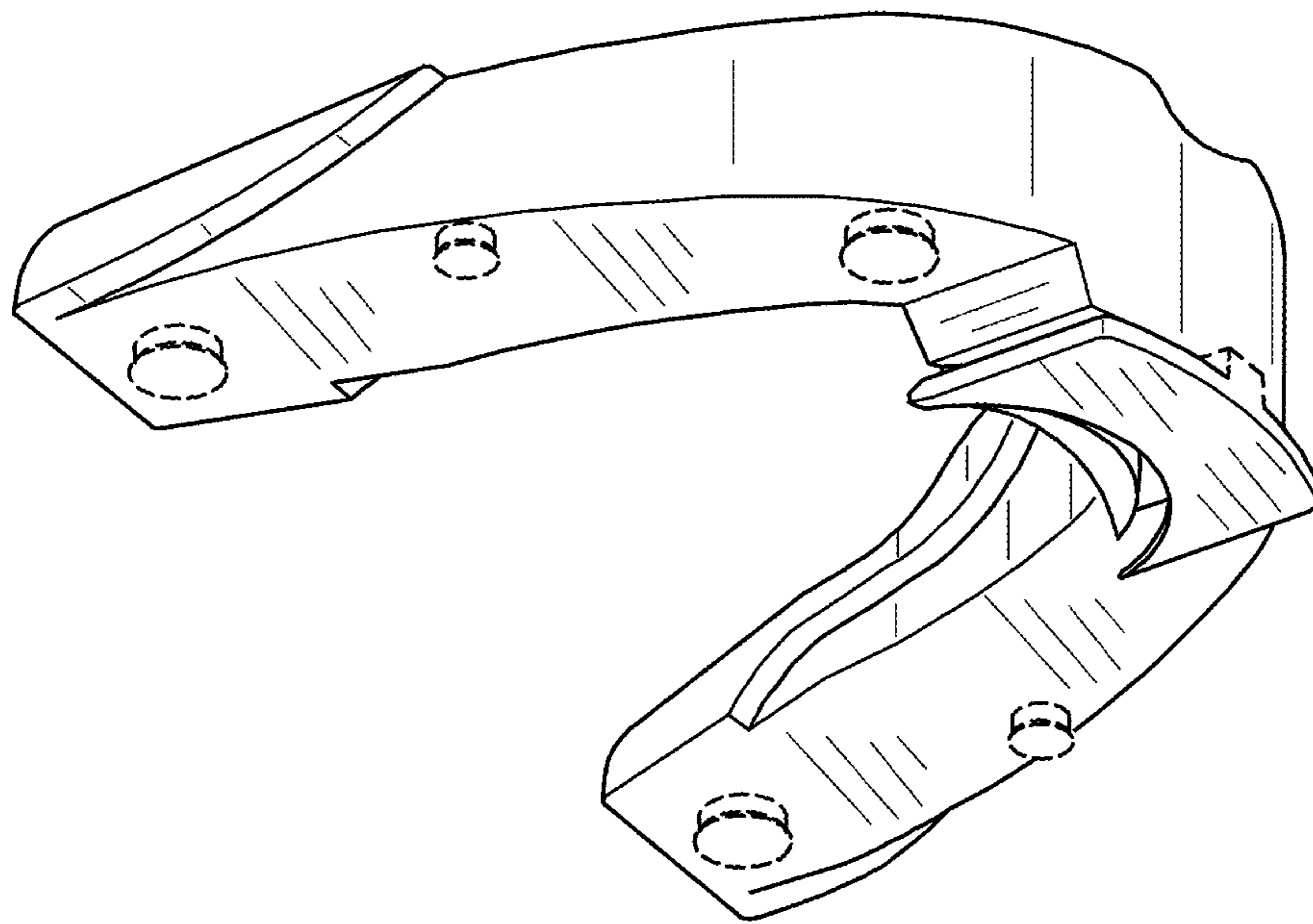


FIGURE 9

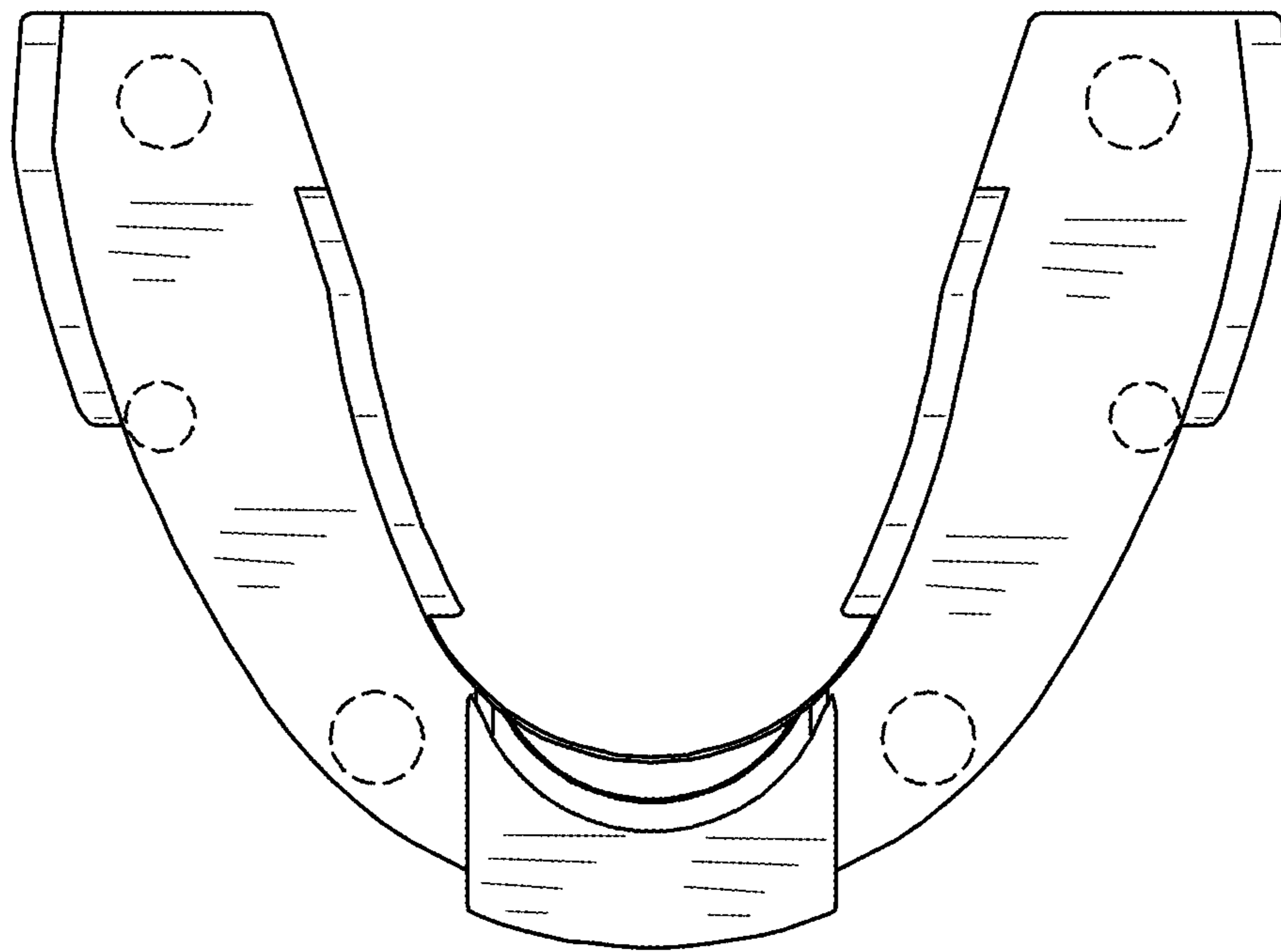


FIGURE 10

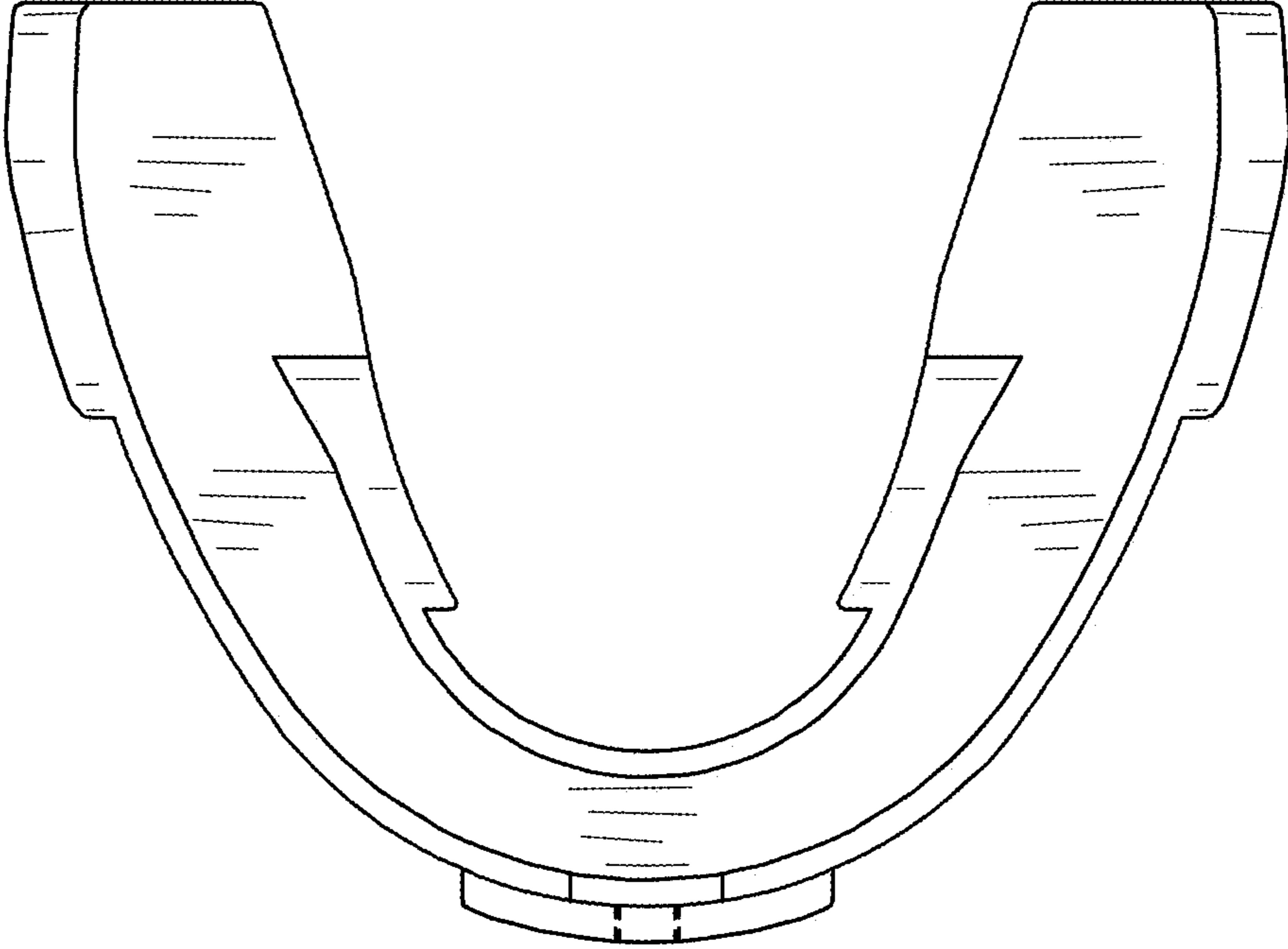


FIGURE 11

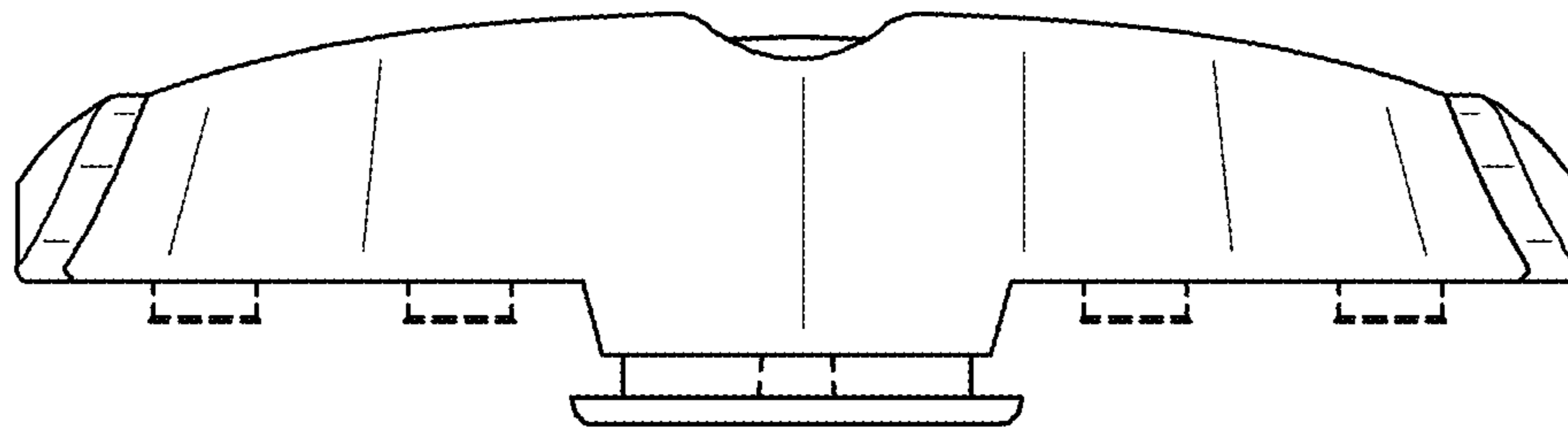


FIGURE 12

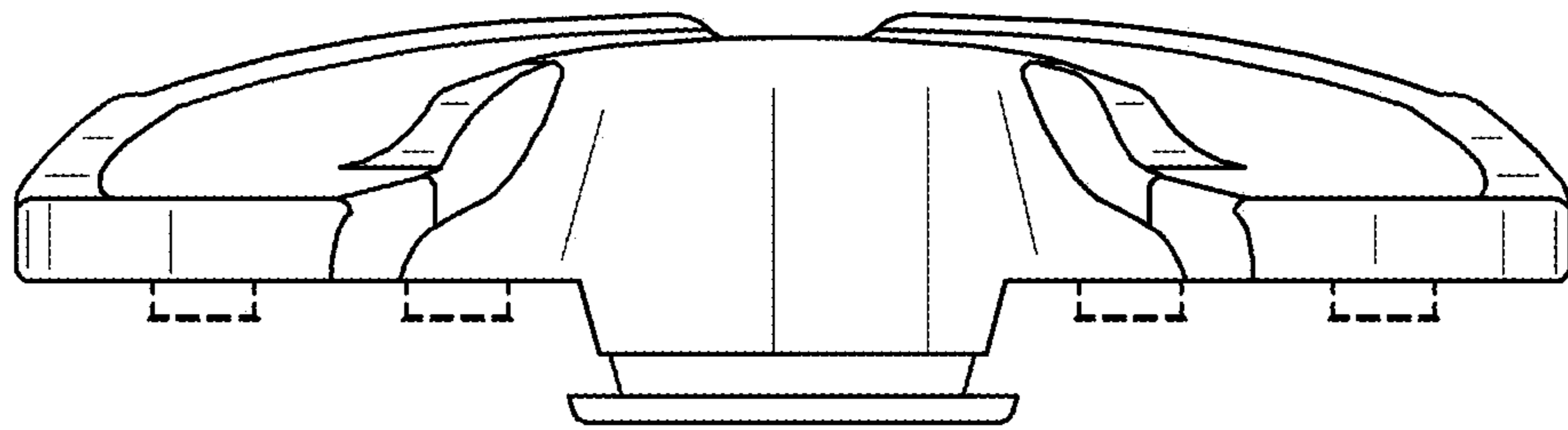


FIGURE 13

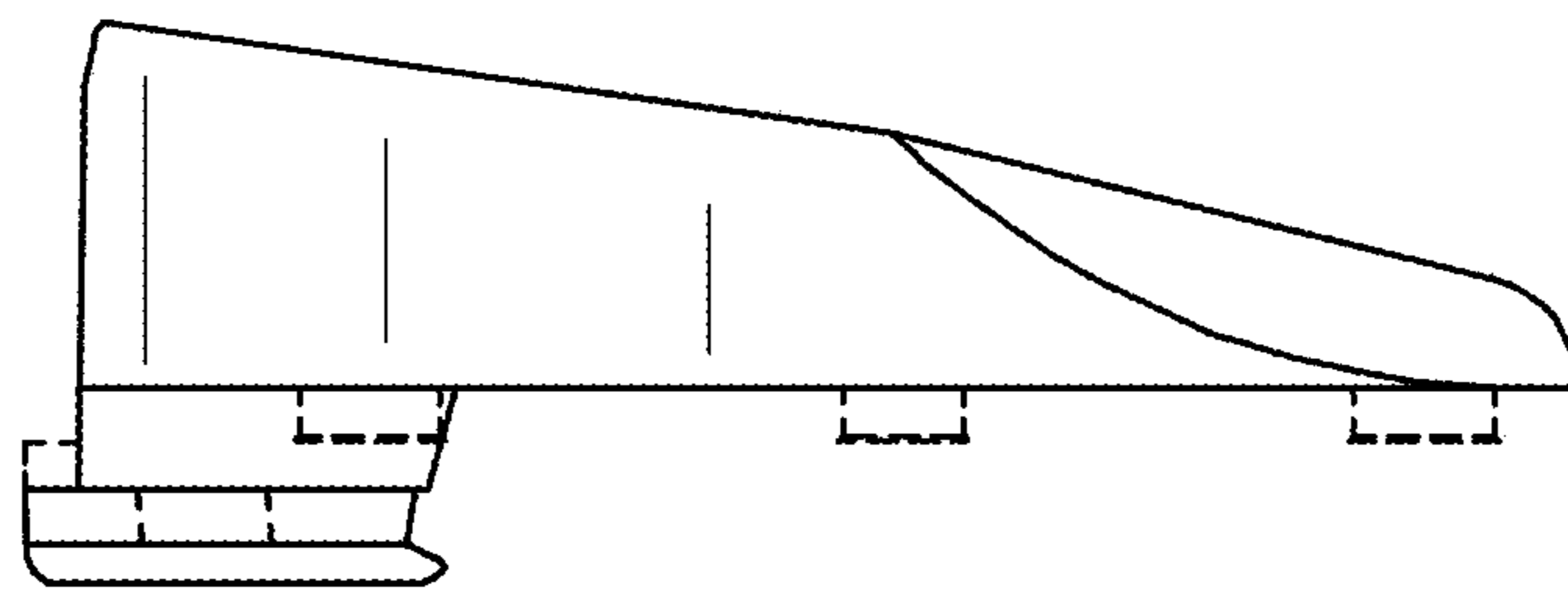


FIGURE 14

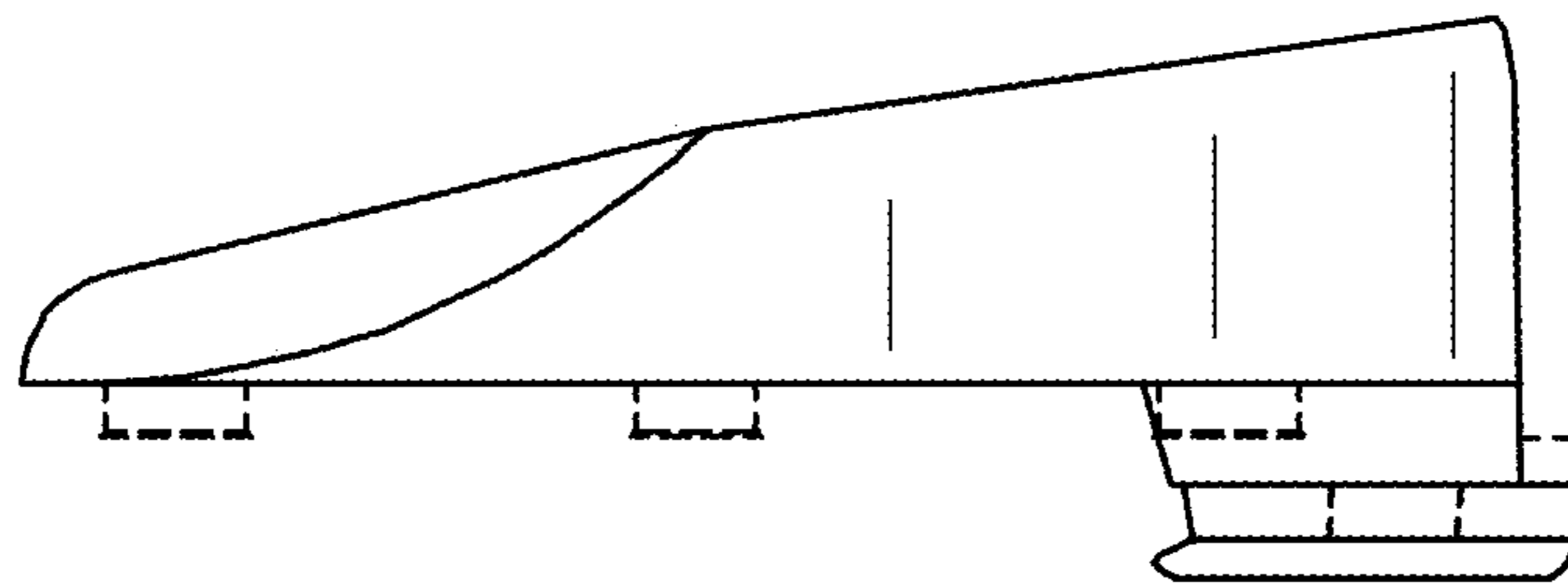


FIGURE 15

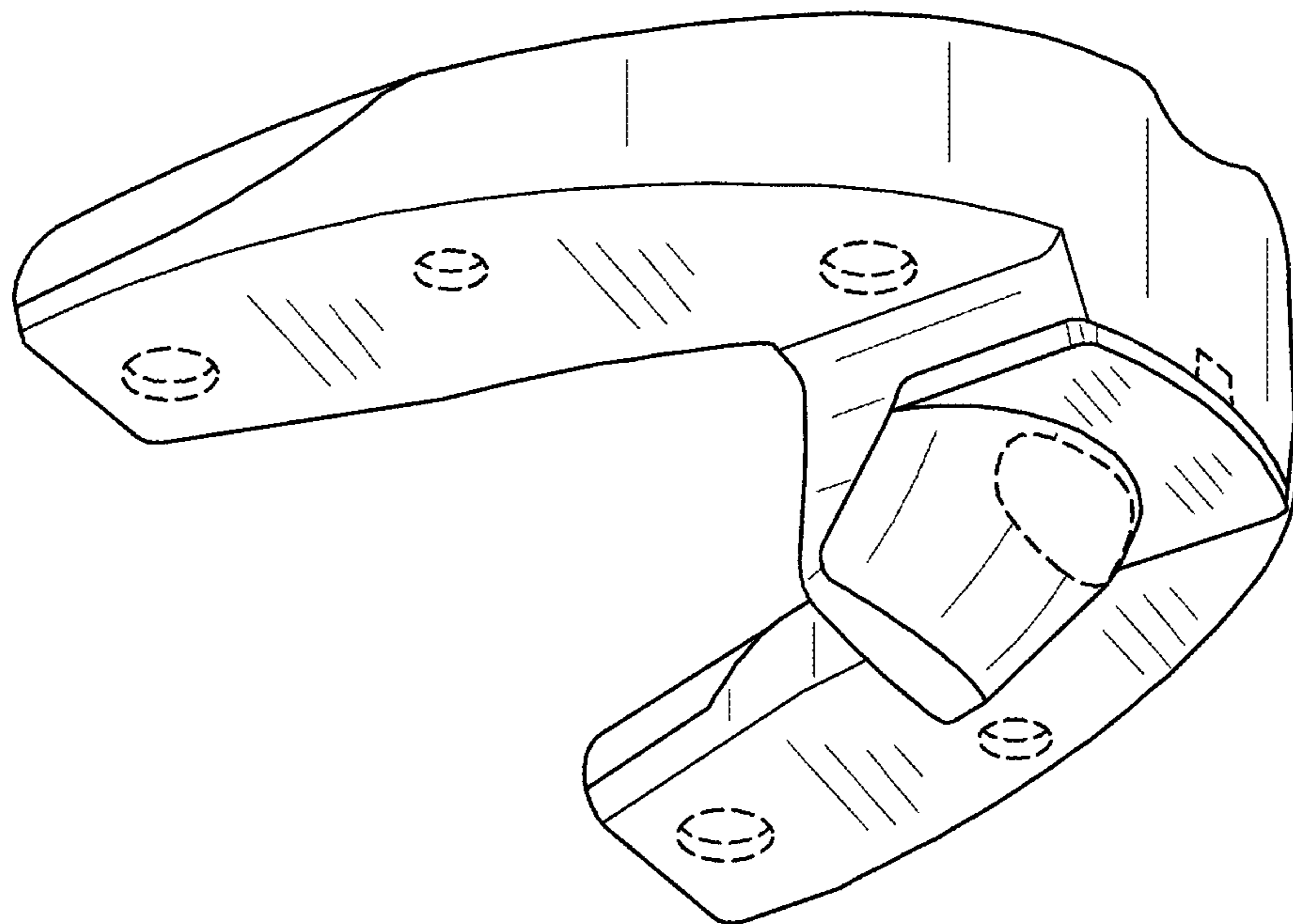


FIGURE 16

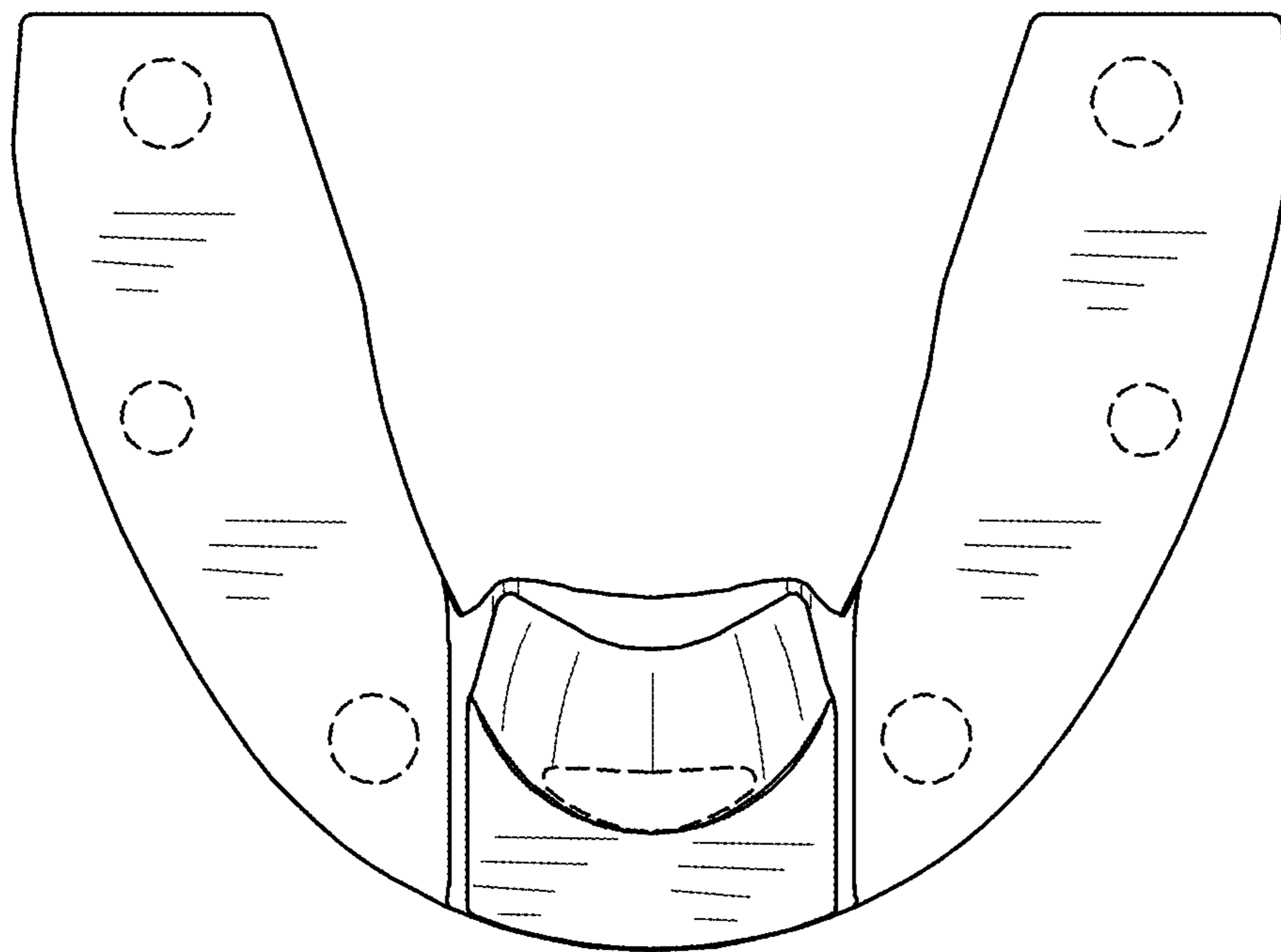


FIGURE 17

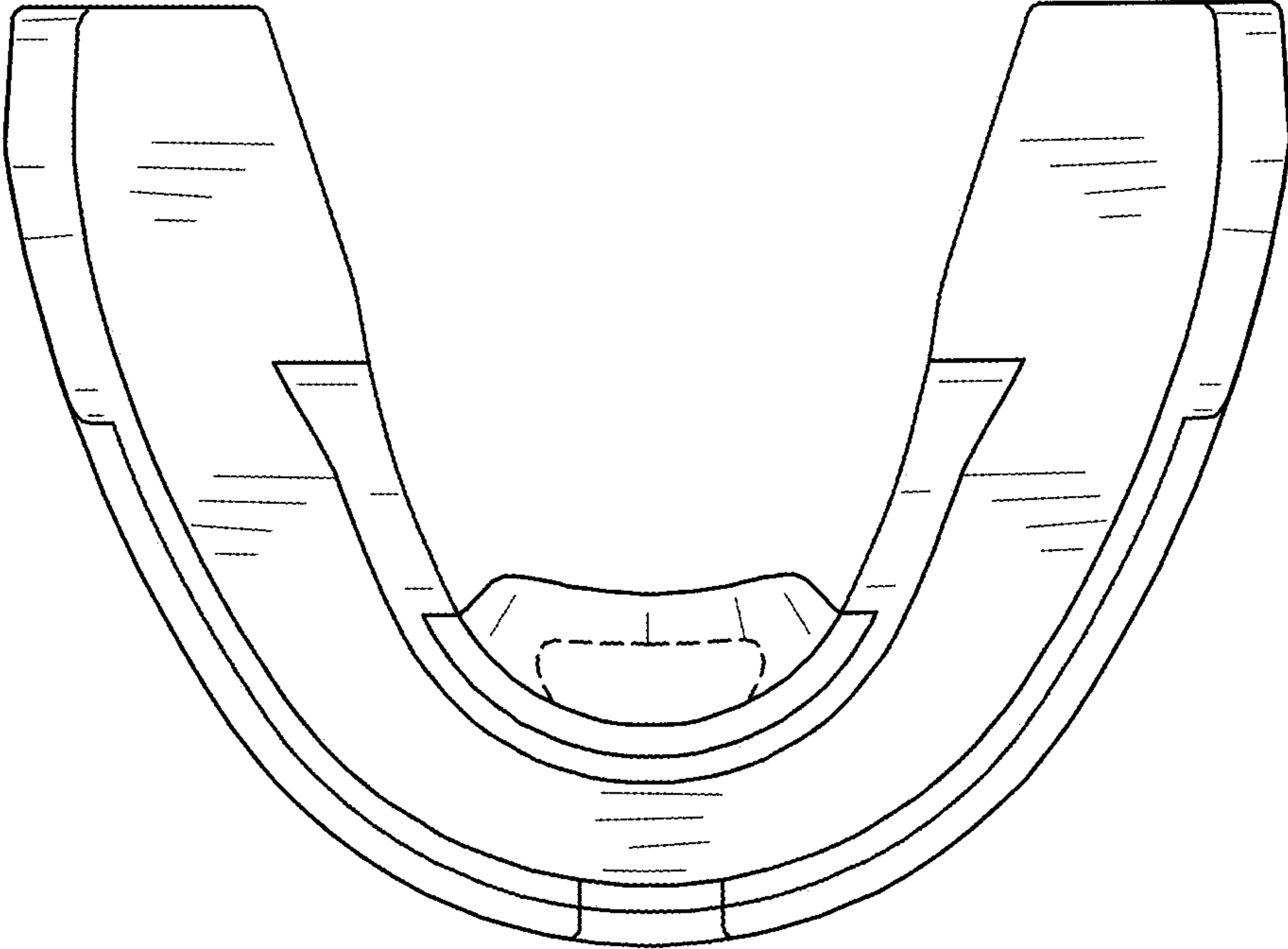


FIGURE 18

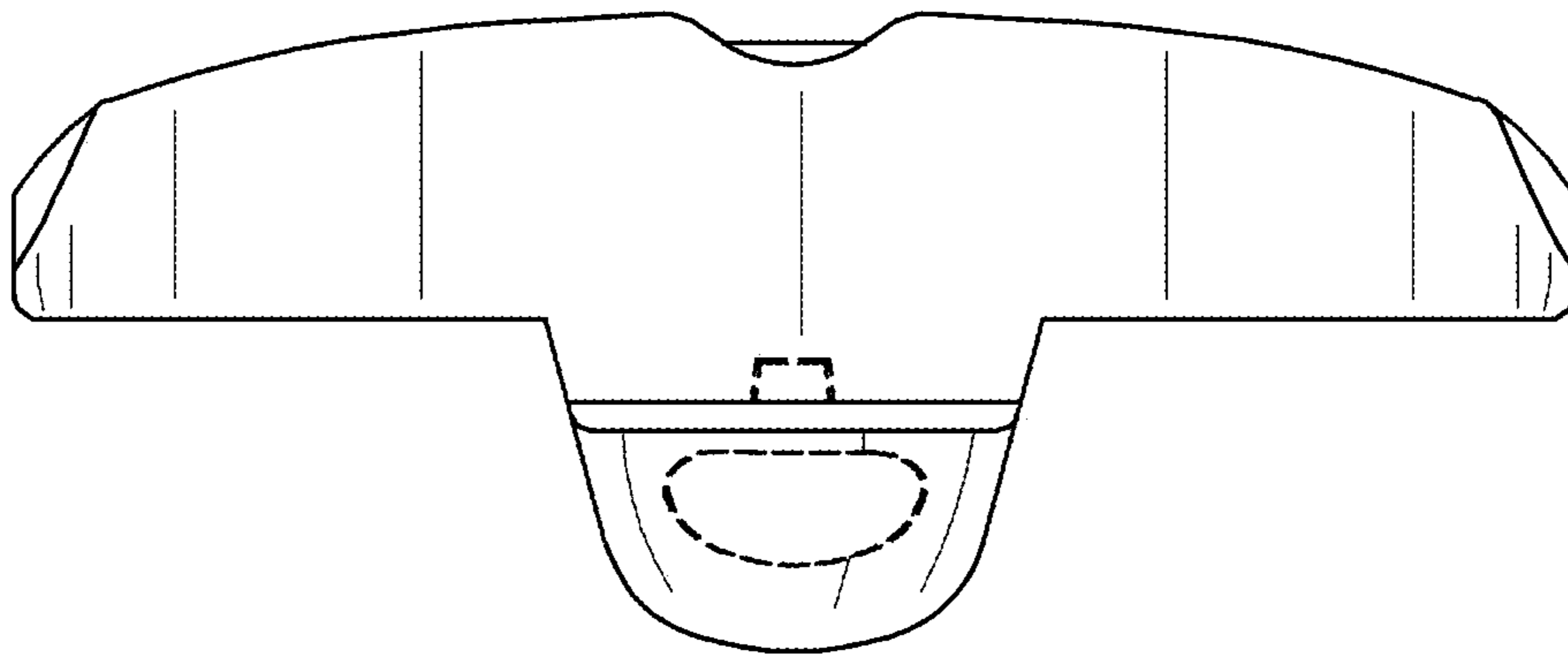


FIGURE 19

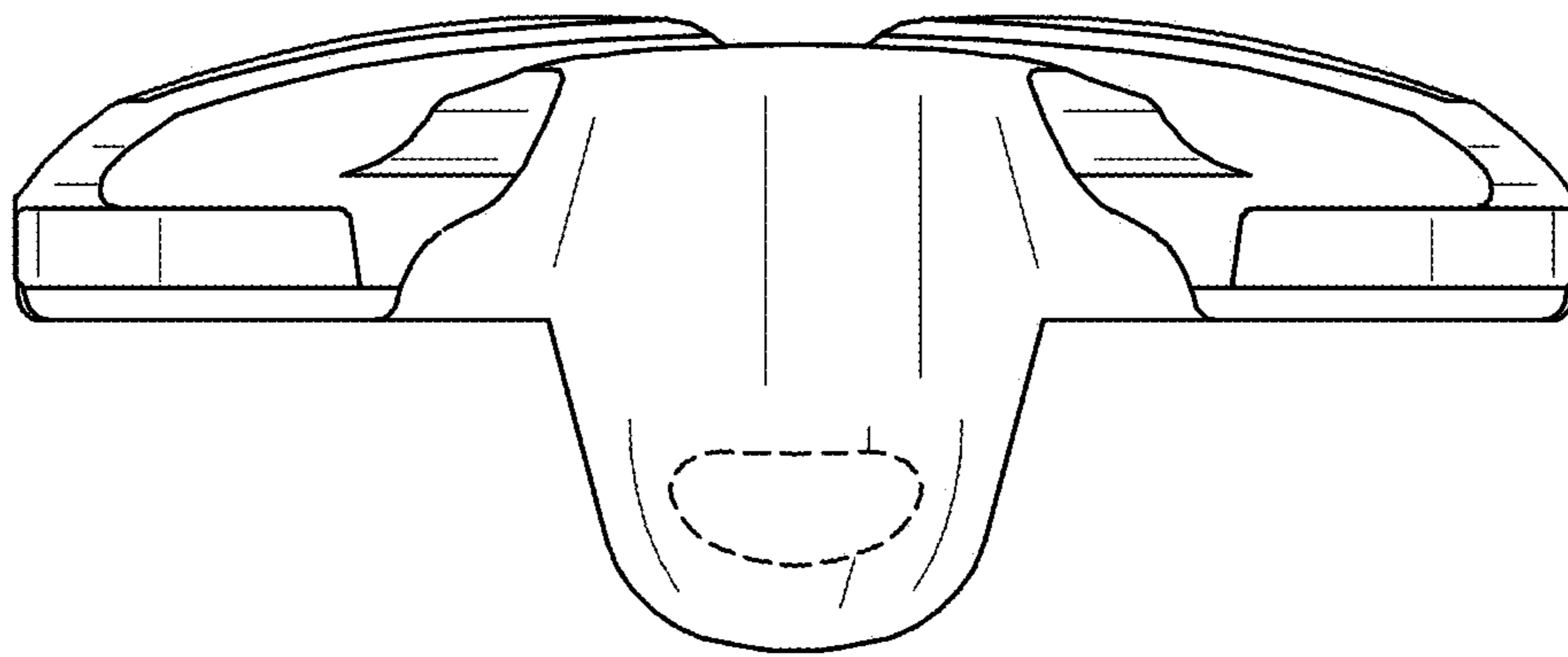


FIGURE 20

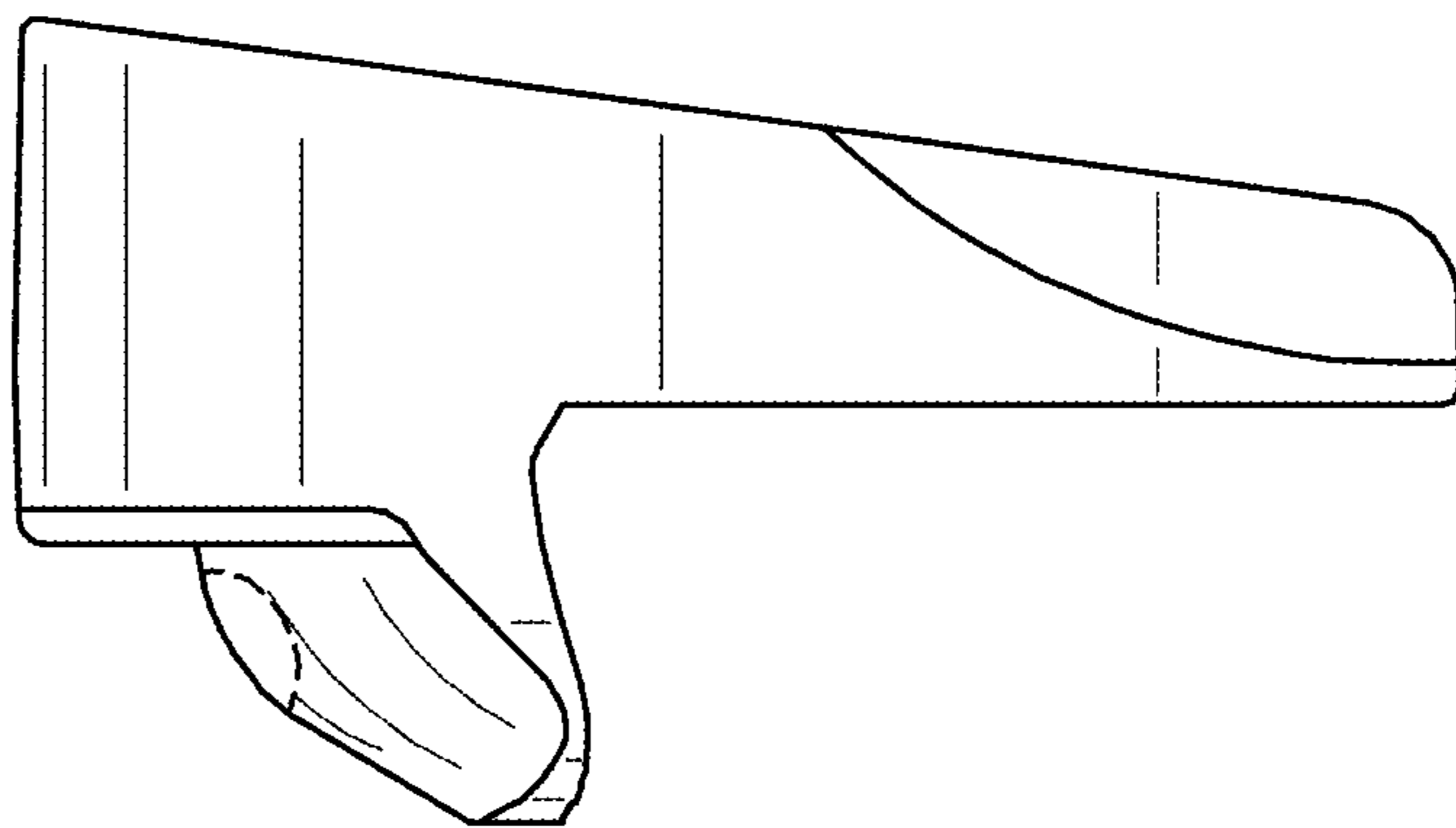


FIGURE 21

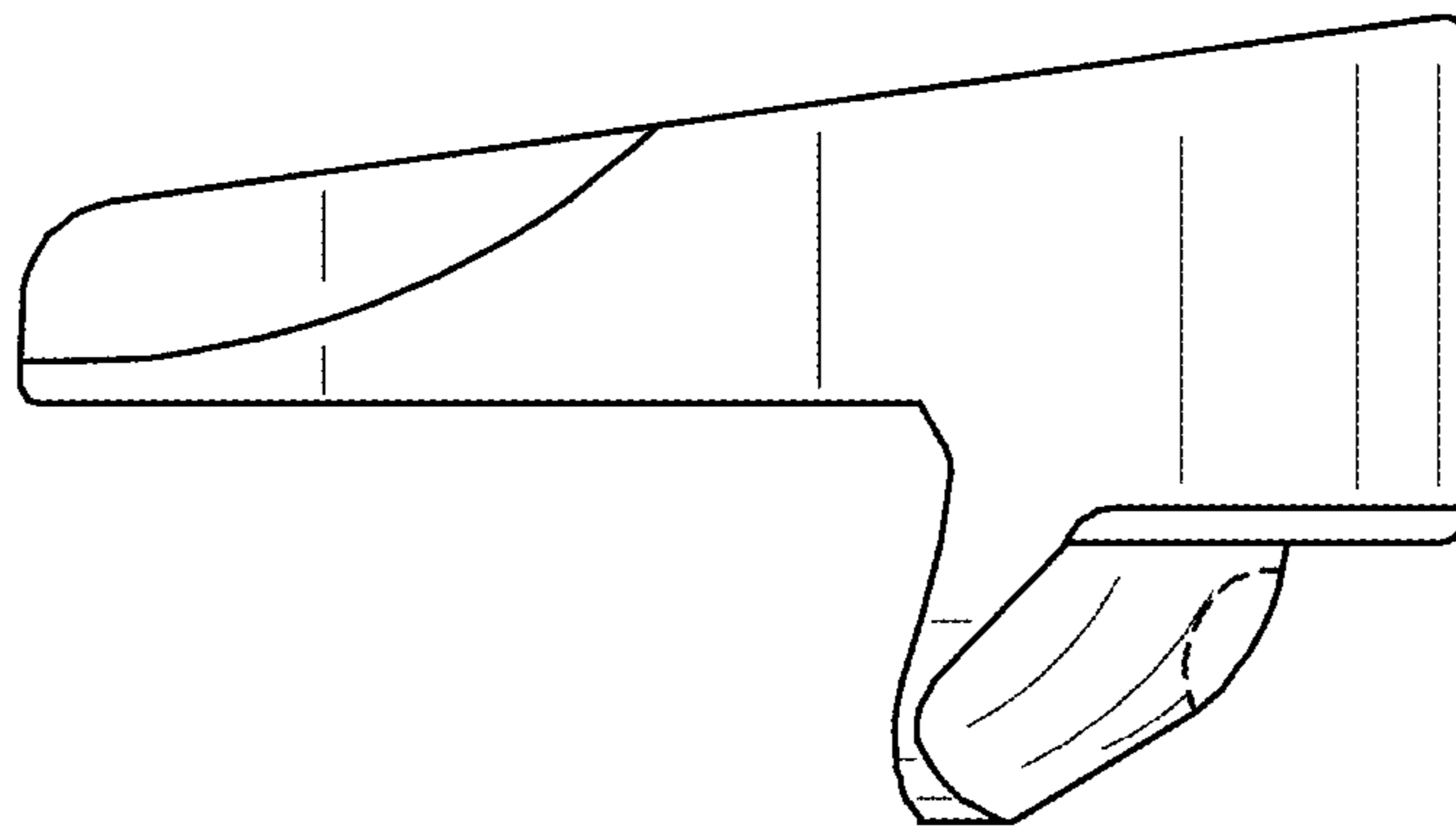


FIGURE 22