



US00D977651S

(12) **United States Design Patent** (10) **Patent No.:** **US D977,651 S**  
**Yumiyama et al.** (45) **Date of Patent:** **\*\* Feb. 7, 2023**

(54) **ABRASIVE DISC FOR DENTAL PROSTHESIS**

(71) Applicant: **KABUSHIKI KAISHA SHOFU,**  
Kyoto (JP)

(72) Inventors: **Naoki Yumiyama,** Kyoto (JP);  
**Yasuhiro Torita,** Kyoto (JP); **Sayaka**  
**Ishida,** Kyoto (JP); **Yasushi Nakano,**  
Kyoto (JP)

(73) Assignee: **KABUSHIKI KAISHA SHOFU,**  
Kyoto (JP)

(\*\*) Term: **15 Years**

(21) Appl. No.: **35/511,867**

(22) Filed: **May 7, 2021**

(80) **Hague Agreement Data**

Int. Filing Date: **May 7, 2021**  
Int. Reg. No.: **DM/214205**  
Int. Reg. Date: **May 7, 2021**  
Int. Reg. Pub. Date: **May 21, 2021**

(51) **LOC (14) Cl.** ..... **24-02**

(52) **U.S. Cl.**  
USPC ..... **D24/176; D15/124**  
CPC ..... **A61C 15/00 (2013.01)**

(58) **Field of Classification Search**  
USPC ..... **D24/176-182; D15/123, 124, 126, 138,**  
**D15/139, 140**  
CPC ..... **A61C 15/00; A61C 3/06**  
See application file for complete search history.

(56) **References Cited**

**U.S. PATENT DOCUMENTS**

2,685,738 A \* 8/1954 Leff ..... A61C 3/06  
433/134  
3,340,652 A \* 9/1967 Purcell, Jr. .... B24D 9/085  
D15/126  
4,055,897 A \* 11/1977 Brix ..... A61C 3/06  
451/490

4,601,661 A \* 7/1986 Du Be ..... A61C 3/06  
433/134  
4,889,489 A \* 12/1989 Von Weissenfluh .... B24D 5/16  
433/134  
4,988,294 A \* 1/1991 DuBe ..... A61C 3/06  
433/134  
D420,445 S \* 2/2000 Von Weissenfluh ..... D24/176  
6,019,603 A \* 2/2000 Von Weissenfluh .... A61C 3/06  
433/134  
D521,642 S \* 5/2006 Dorahy ..... D24/155  
(Continued)

**FOREIGN PATENT DOCUMENTS**

JP 5-84310 11/1993  
JP 10-99346 4/1998  
JP 2021142318 A \* 9/2021

**OTHER PUBLICATIONS**

Eve Grinding/Polishing Brochure, SD Sundental Co., Ltd., Dec. 2019.

(Continued)

*Primary Examiner* — Richard E Chilcot  
(74) *Attorney, Agent, or Firm* — Wenderoth, Lind & Ponack, L.L.P.

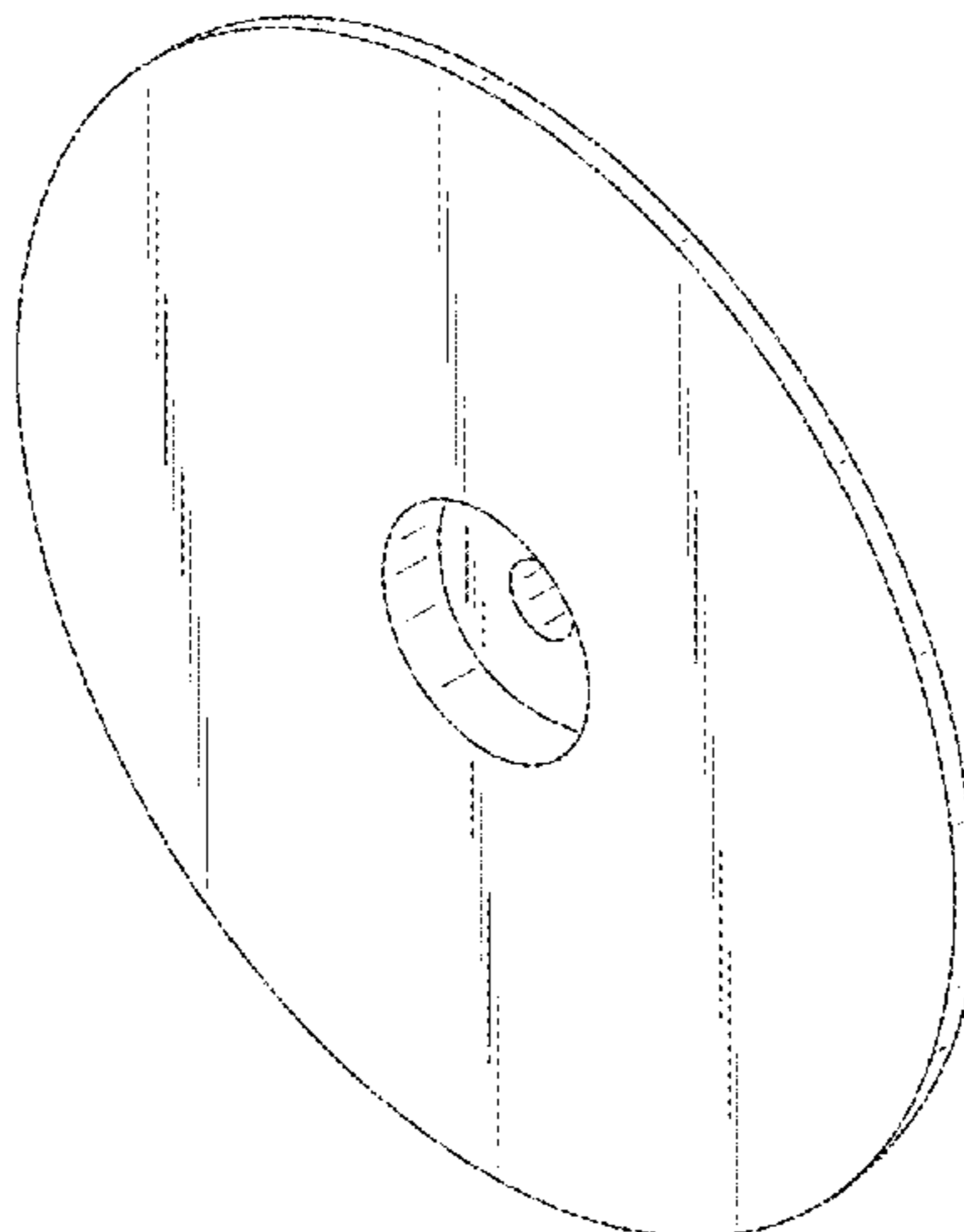
(57) **CLAIM**

The ornamental design for an abrasive disc for dental prosthesis, as shown and described.

**DESCRIPTION**

Fig. 1.1 is a front perspective view of an abrasive disc for dental prosthesis;  
Fig. 1.2 is a back perspective view thereof;  
Fig. 1.3 is a front view thereof;  
Fig. 1.4 is a back view thereof;  
Fig. 1.5 is a left side view thereof;  
Fig. 1.6 is a right side view thereof;  
Fig. 1.7 is a top view thereof; and  
Fig. 1.8 is a bottom view thereof.

(Continued)



The broken lines shown in the drawings indicate contours of the abrasive disc.

**1 Claim, 4 Drawing Sheets**

(56)

**References Cited**

U.S. PATENT DOCUMENTS

D647,073 S *	10/2011	Morihira .....	D13/199
D679,299 S *	4/2013	Greiderer .....	D15/126
D686,255 S *	7/2013	Fu .....	D15/126
D687,471 S *	8/2013	Fu .....	D15/126
D689,912 S *	9/2013	Fu .....	D15/126
D689,913 S *	9/2013	Fu .....	D15/126
D816,131 S *	4/2018	Nymark .....	D15/126
D816,132 S *	4/2018	Nymark .....	D15/126
D852,240 S *	6/2019	Ferronato .....	D15/126
D870,782 S *	12/2019	Hanschen .....	D15/126
D879,164 S *	3/2020	Hanschen .....	D15/126

D915,595 S *	4/2021	Kim .....	D24/152
11,284,965 B1 *	3/2022	Galler .....	A61C 1/082
2006/0019218 A1 *	1/2006	Kuo .....	A61C 3/06
			433/215
2009/0042166 A1 *	2/2009	Craig .....	A61C 3/02
			451/28
2011/0256504 A1 *	10/2011	Rudman .....	A61C 3/06
			433/166
2013/0302751 A1 *	11/2013	Maxa .....	A61C 17/005
			433/166
2022/0202526 A1 *	6/2022	Kim .....	A61C 15/00

OTHER PUBLICATIONS

Eve, Dental Material, Dental Grinding Material, Revised Oct. 2017 (5th Edition).  
 Komet USA LLC, Diamond, DCB—abrasives, Jul. 2010.  
 Horico, Medical & Dental Supplies, Polishers and Mandrels for the Laboratory, Oct. 2012.  
 Dedeco International Inc., Classic Rubber Polisher, 2009.

\* cited by examiner

FIG. 1.1

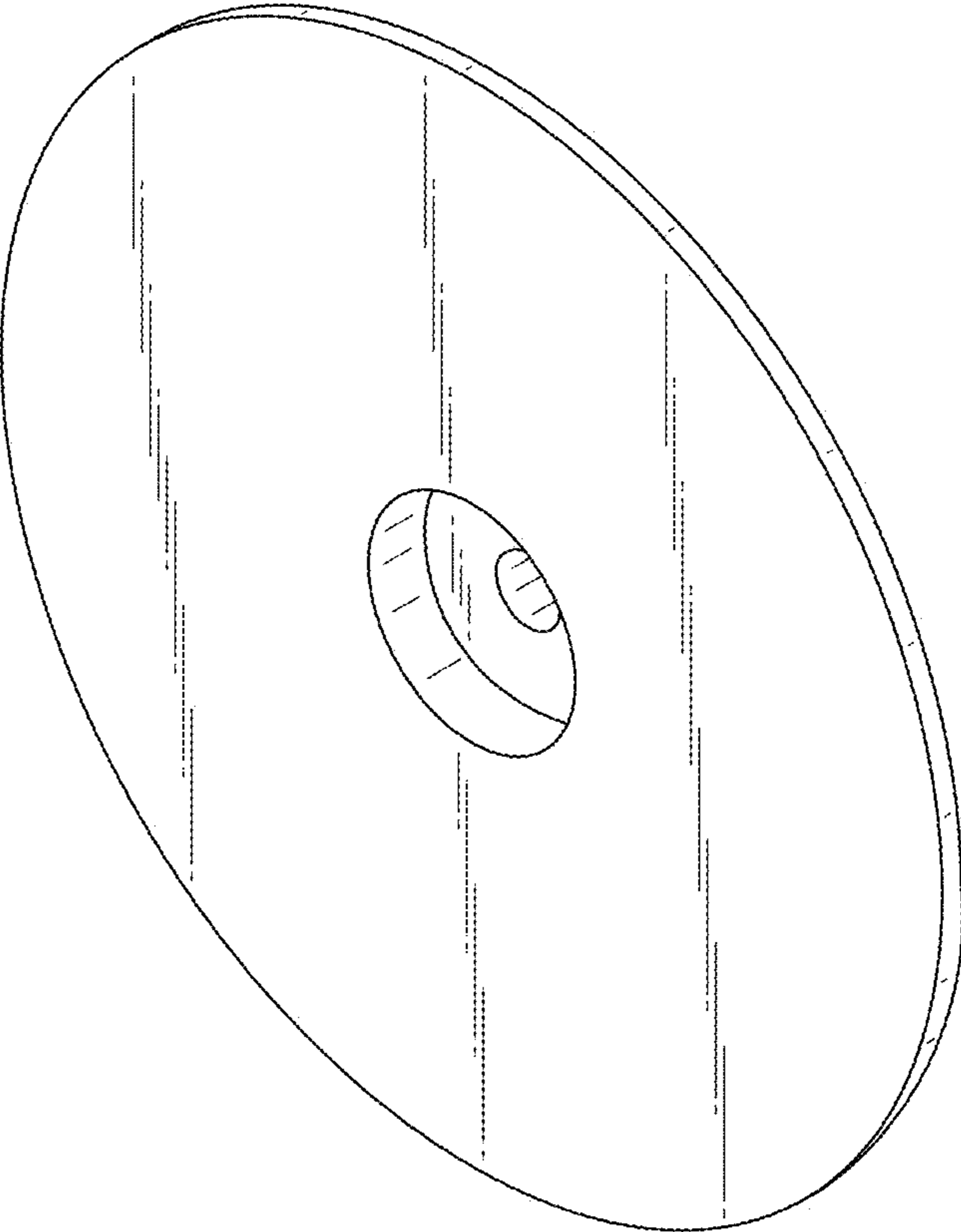


FIG. 1.2

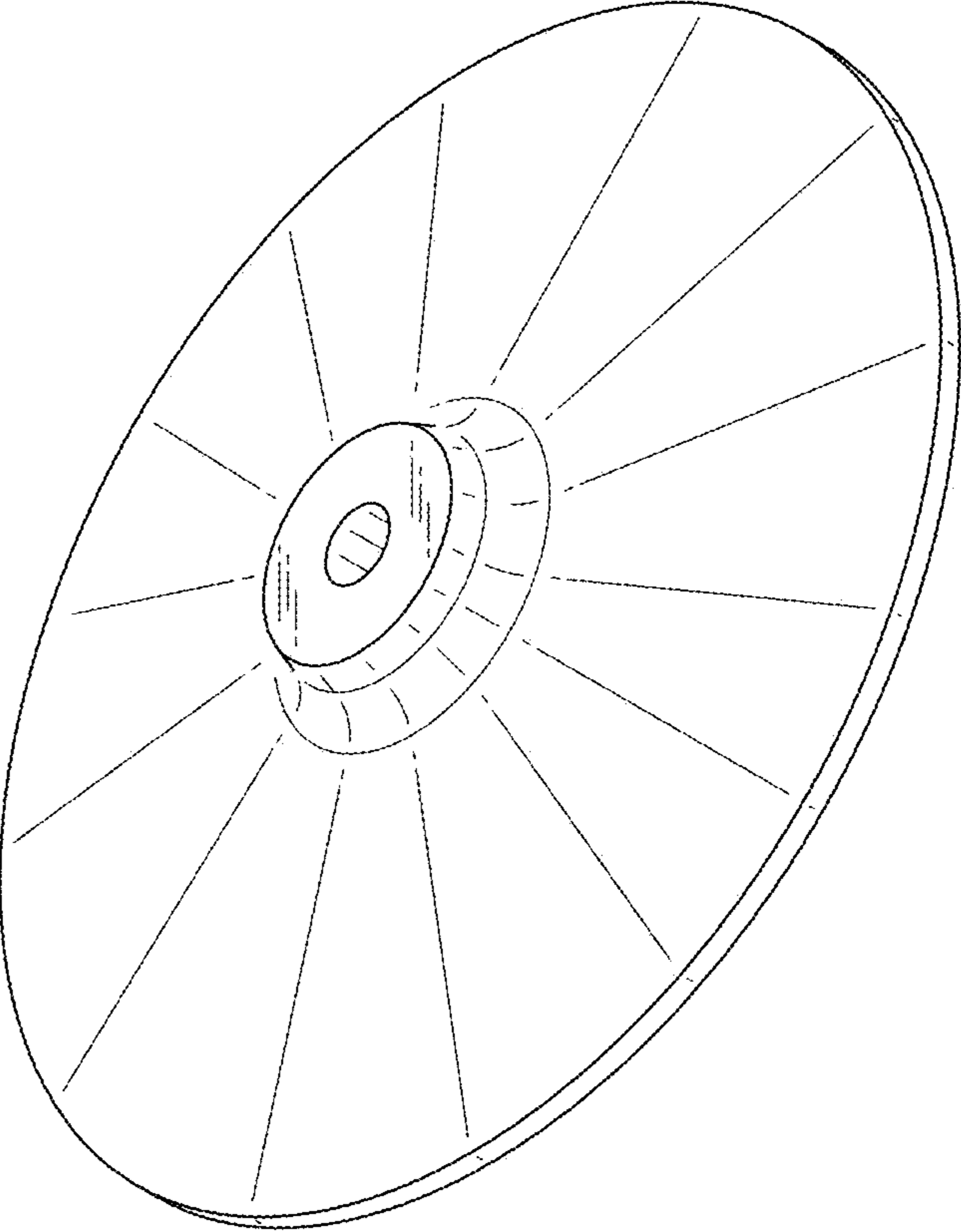


FIG. 1.3

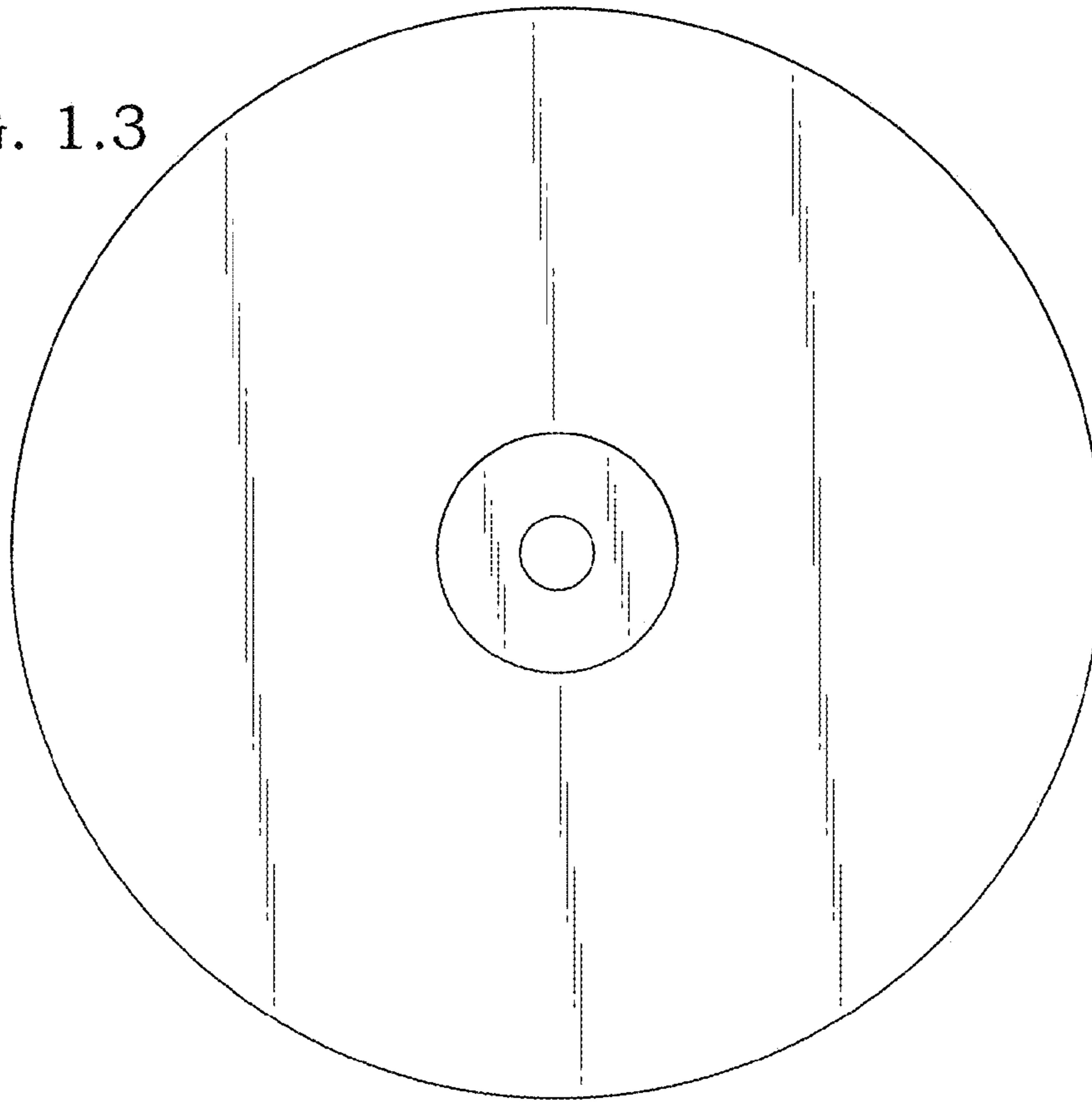


FIG. 1.4

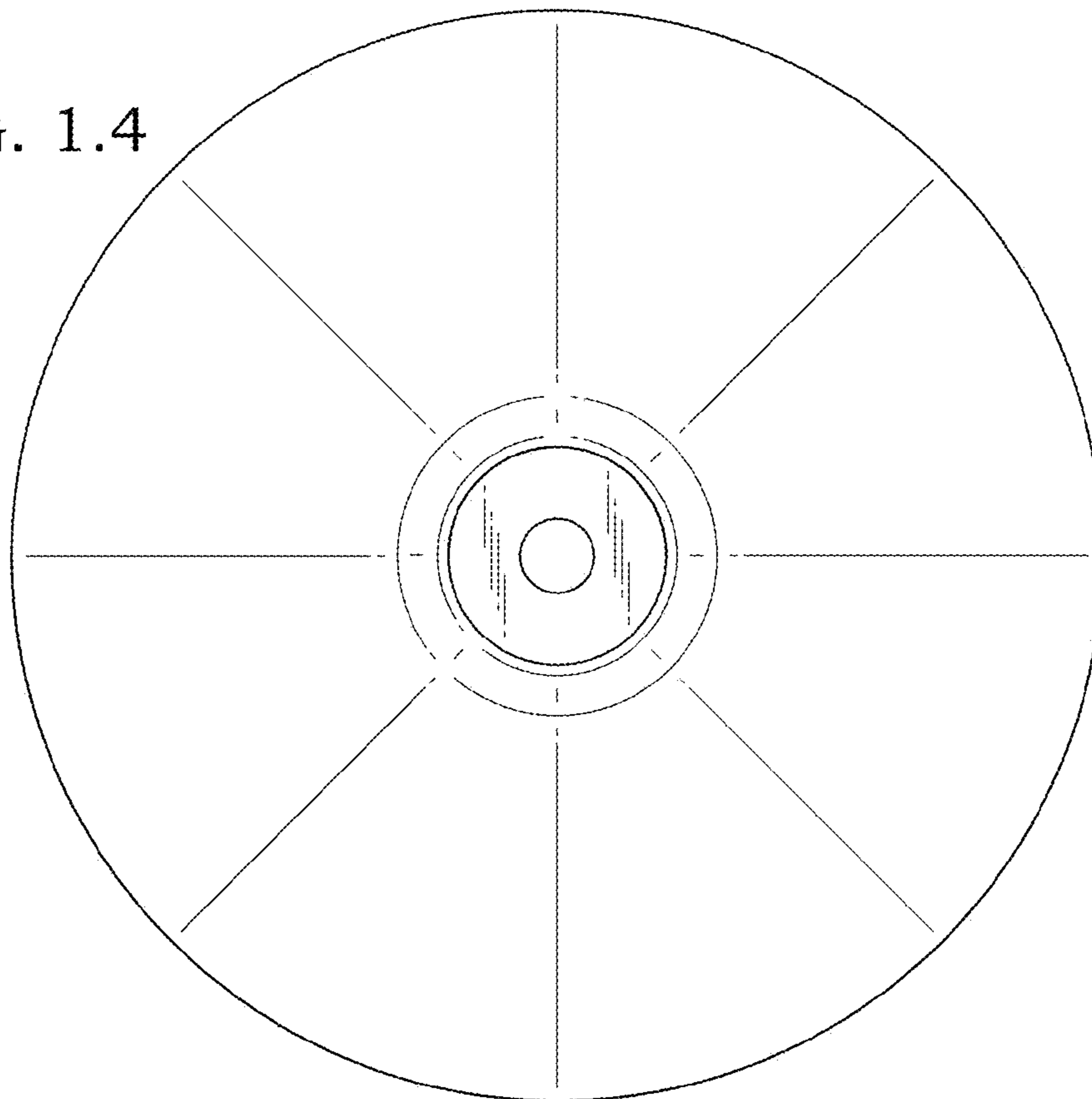


FIG. 1.5

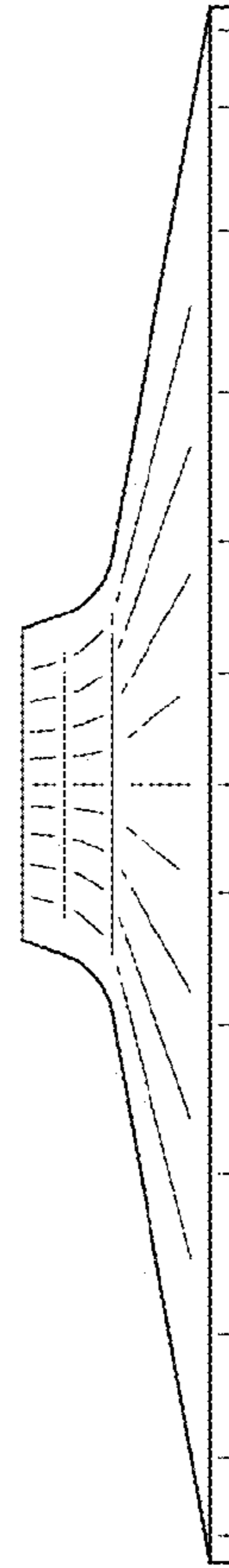


FIG. 1.6

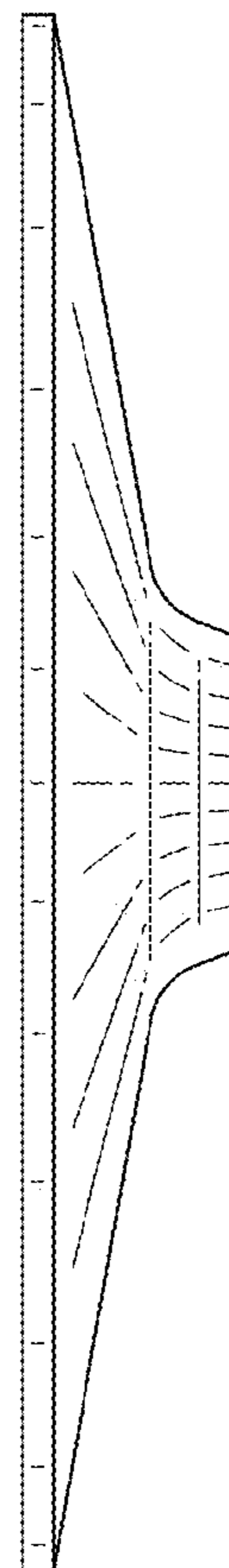


FIG. 1.7

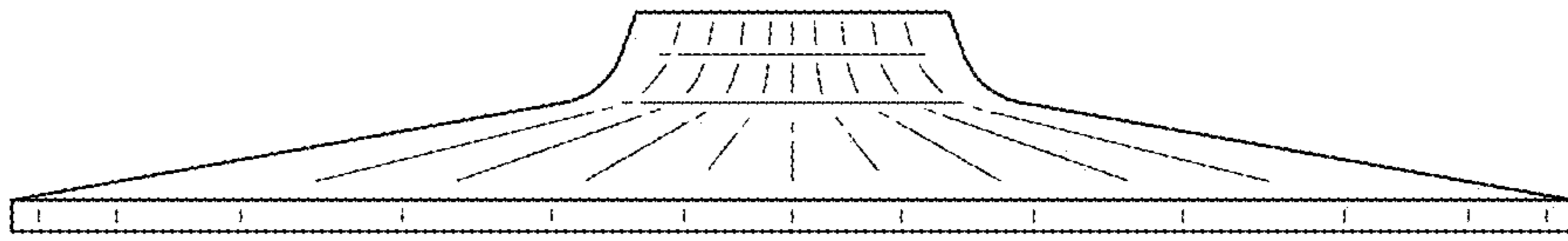


FIG. 1.8

