



US00D977650S

(12) **United States Design Patent** (10) **Patent No.:** **US D977,650 S**
Kruk (45) **Date of Patent:** **** Feb. 7, 2023**

(54) **MEDICAL INSTRUMENT**

(71) Applicant: **Simplicardiac Sp. z o. o.**, Warsaw (PL)

(72) Inventor: **Mariusz Kruk**, Sulejówek (PL)

(**) Term: **15 Years**

(21) Appl. No.: **35/513,738**

(22) Filed: **Aug. 27, 2021**

(80) **Hague Agreement Data**

Int. Filing Date: **Aug. 27, 2021**

Int. Reg. No.: **DM/216497**

Int. Reg. Date: **Aug. 27, 2021**

Int. Reg. Pub. Date: **Mar. 4, 2022**

(51) **LOC (14) Cl.** **24-01**

(52) **U.S. Cl.**
USPC **D24/169**

(58) **Field of Classification Search**
USPC D24/107, 165, 167, 168, 169, 186
CPC A61B 17/1322; A61B 17/1325; A61B
17/1327; A61B 2017/12004
See application file for complete search history.

(56) **References Cited**

U.S. PATENT DOCUMENTS

D256,504 S * 8/1980 Davis D24/168
D272,186 S * 1/1984 Peck D24/143

D461,008 S * 7/2002 Hampf D24/167
D610,687 S * 2/2010 Boggs D24/164
D705,429 S * 5/2014 Cheney D24/169
D733,305 S * 6/2015 Miyashita D24/169
D739,027 S * 9/2015 Johnson D24/169
D954,959 S * 6/2022 Rizzo D24/169
D958,993 S * 7/2022 Rizzo D24/169
2019/0090886 A1 * 3/2019 Brown A61B 17/1322
2020/0367909 A1 * 11/2020 Rankins, III A61B 17/1325
2021/0287572 A1 * 9/2021 Dimino G09B 23/303
2022/0142654 A1 * 5/2022 Kruk A61B 17/1325

* cited by examiner

Primary Examiner — Anhdao Doan

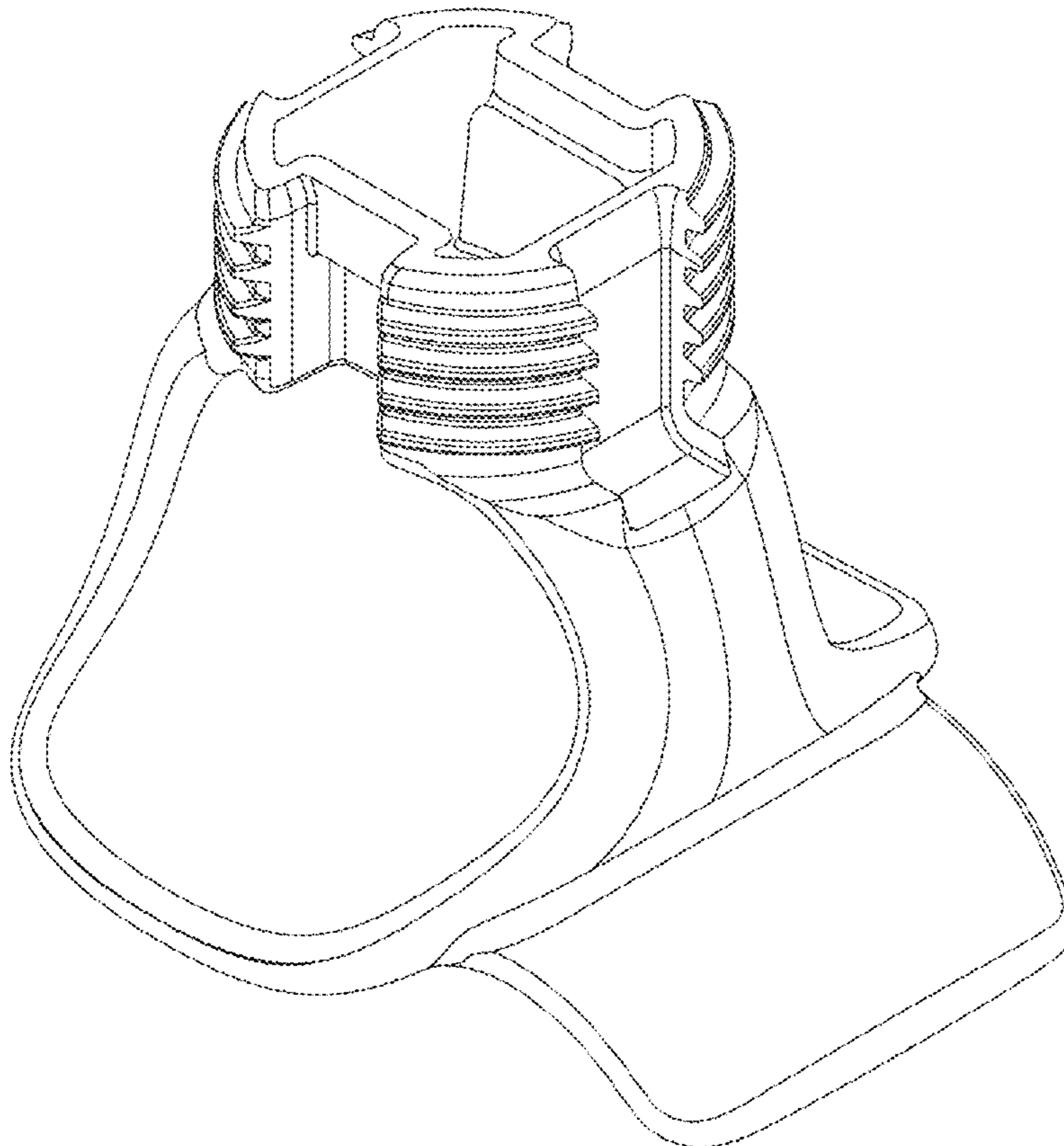
(57) **CLAIM**

The ornamental design for a medical instrument, as shown and described.

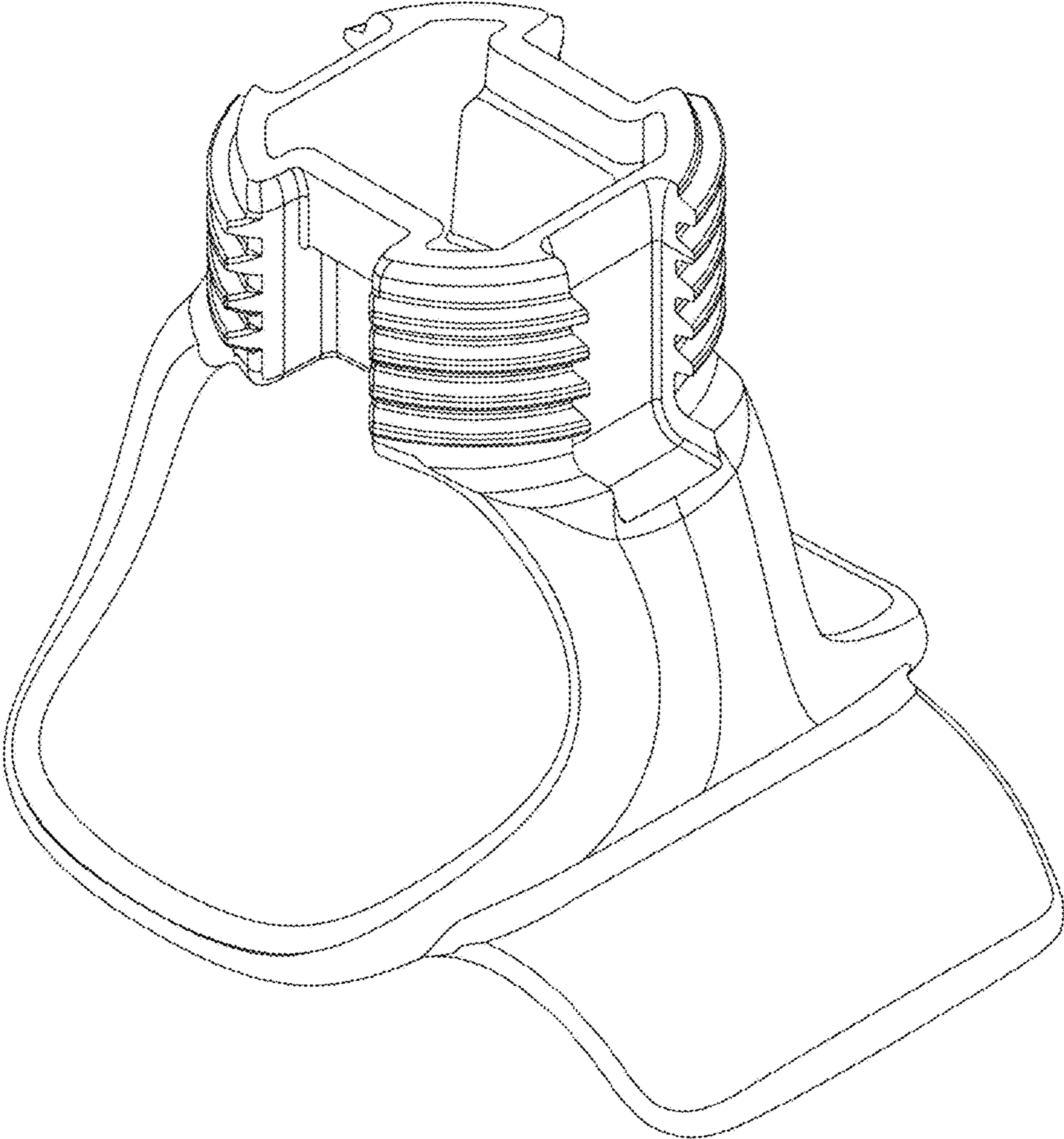
DESCRIPTION

- 1. Medical instrument
- 1.1 : Perspective
- 1.2 : Top
- 1.3 : Back
- 1.4 : Left
- 1.5 : Right
- 1.6 : Front
- 1.7 : Bottom

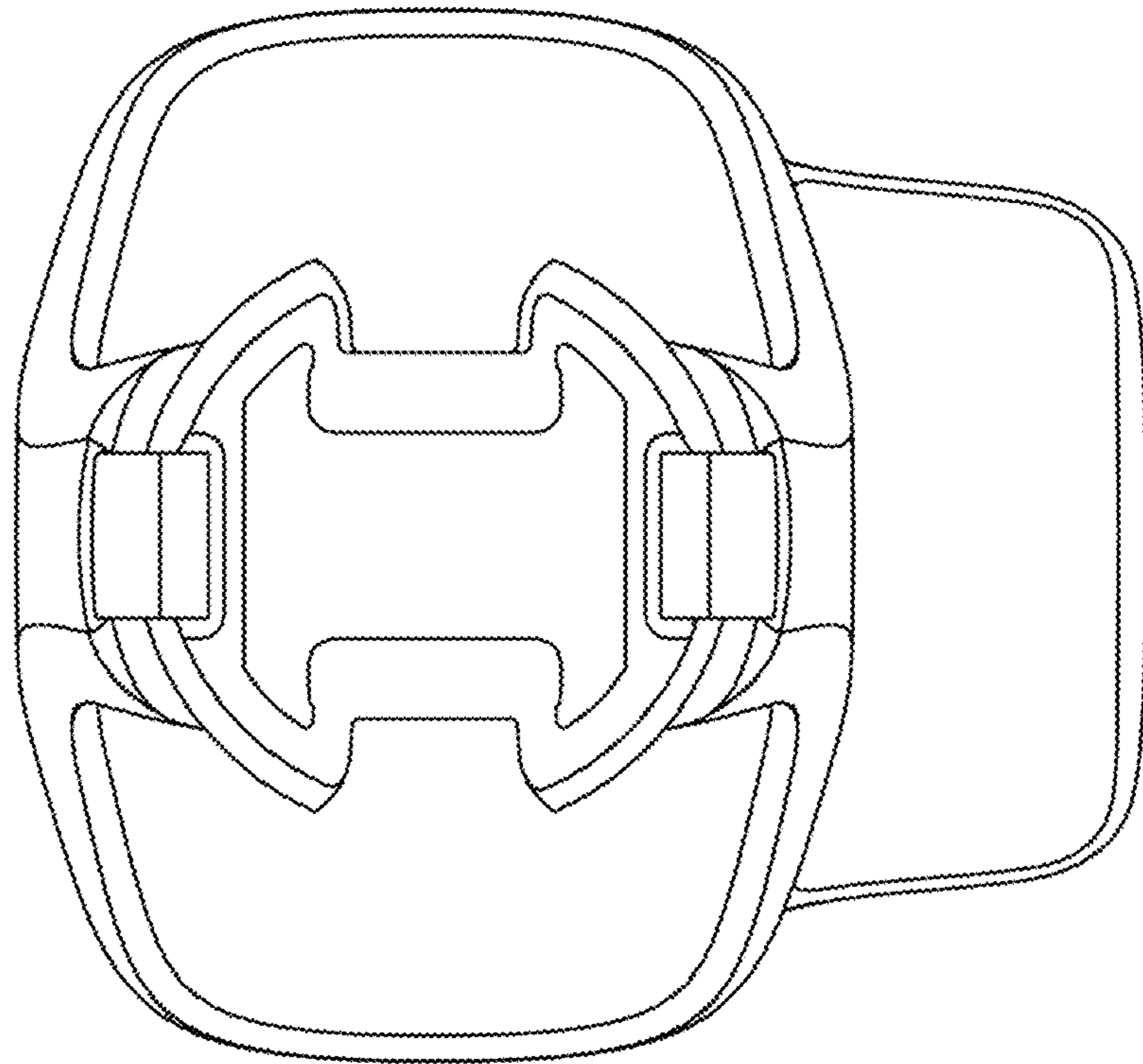
1 Claim, 7 Drawing Sheets



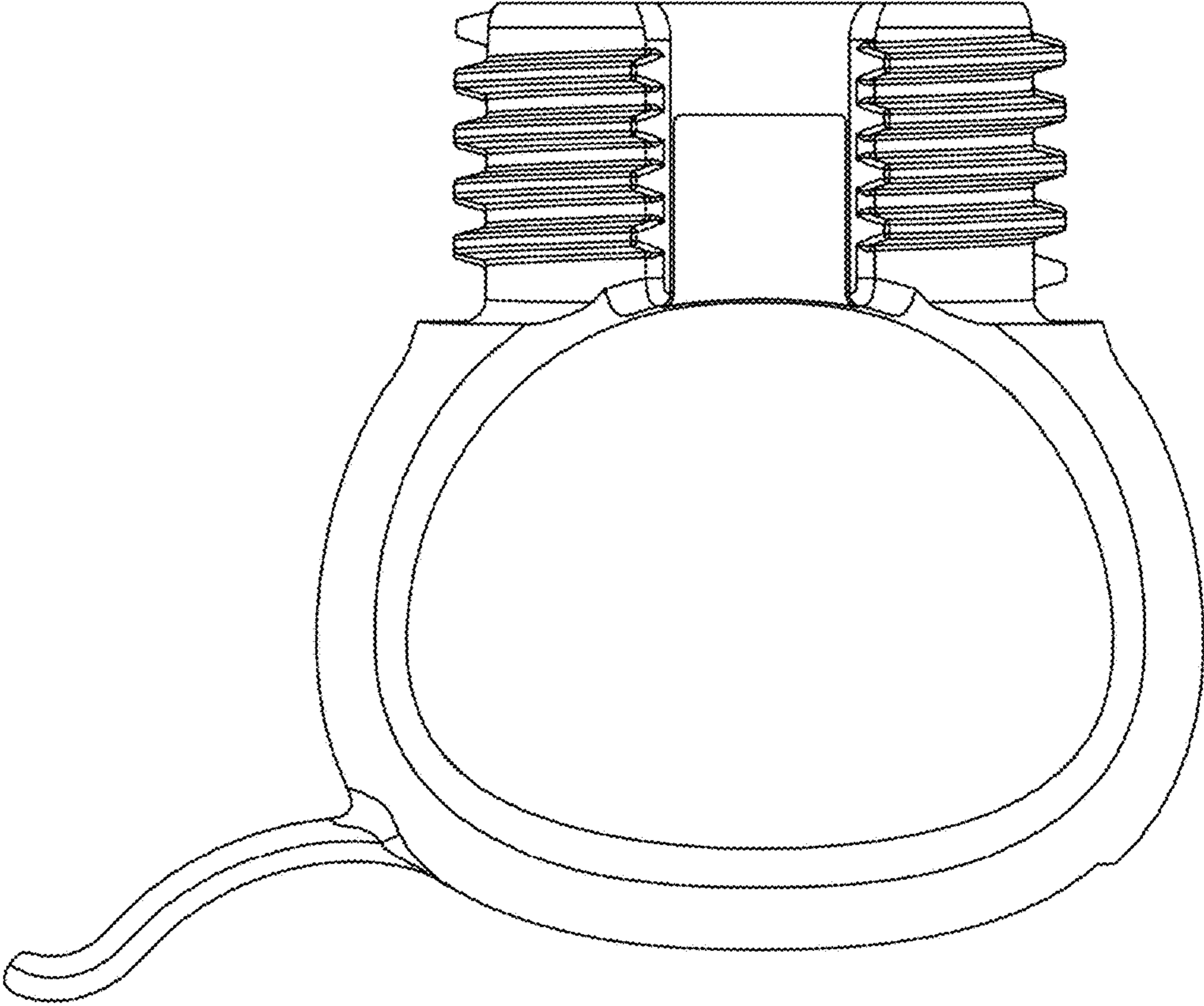
1.1



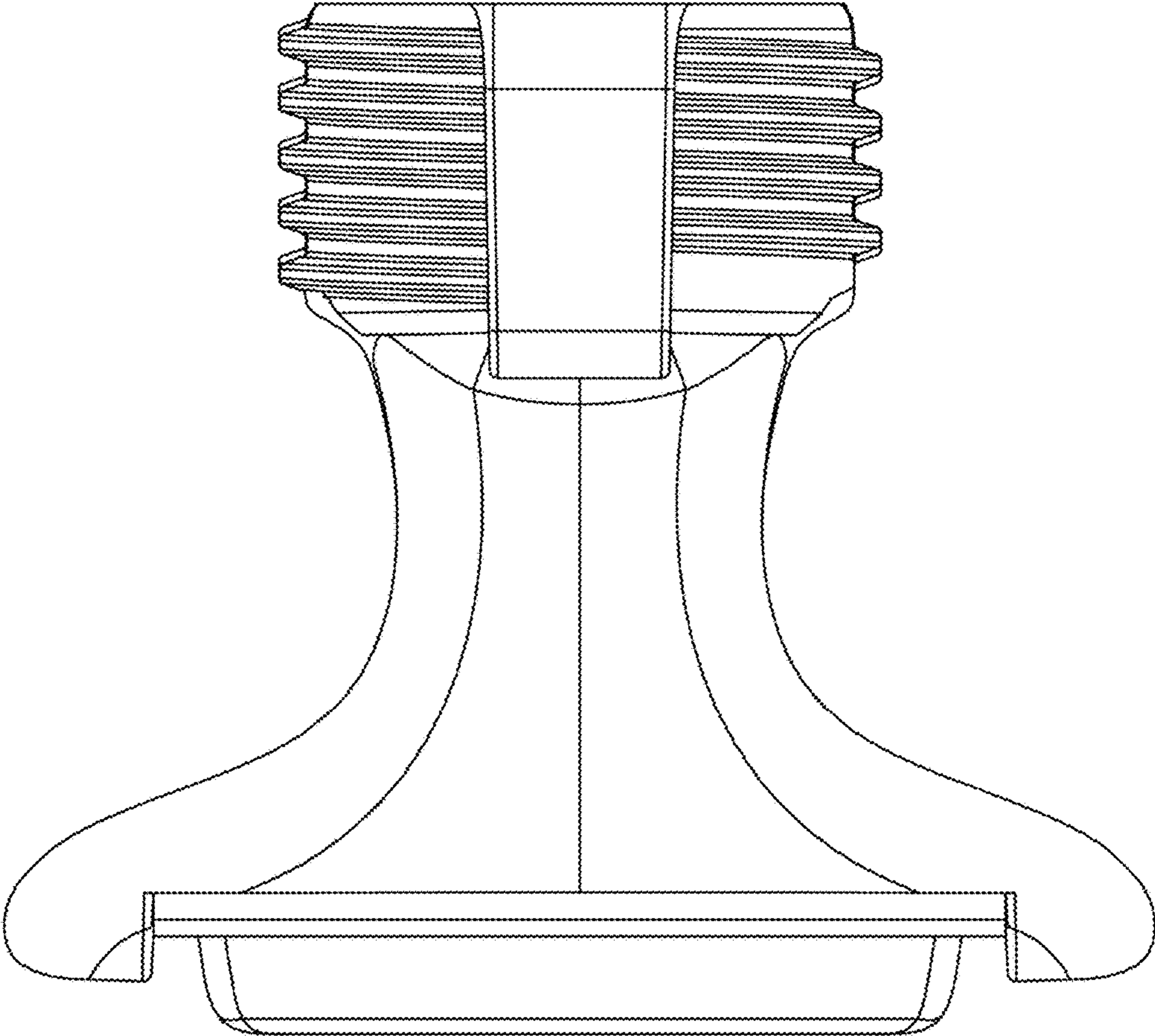
1.2



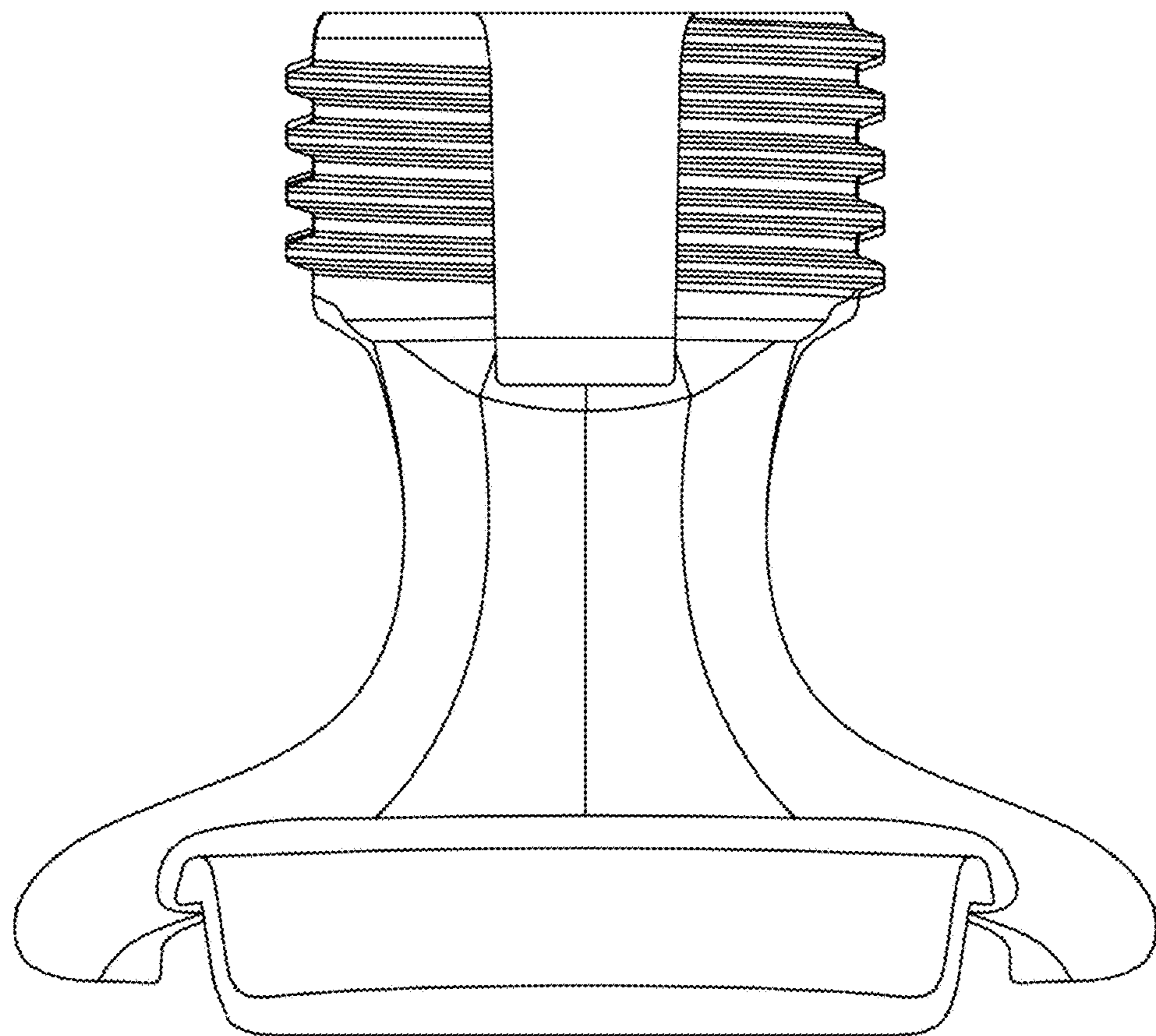
1.3



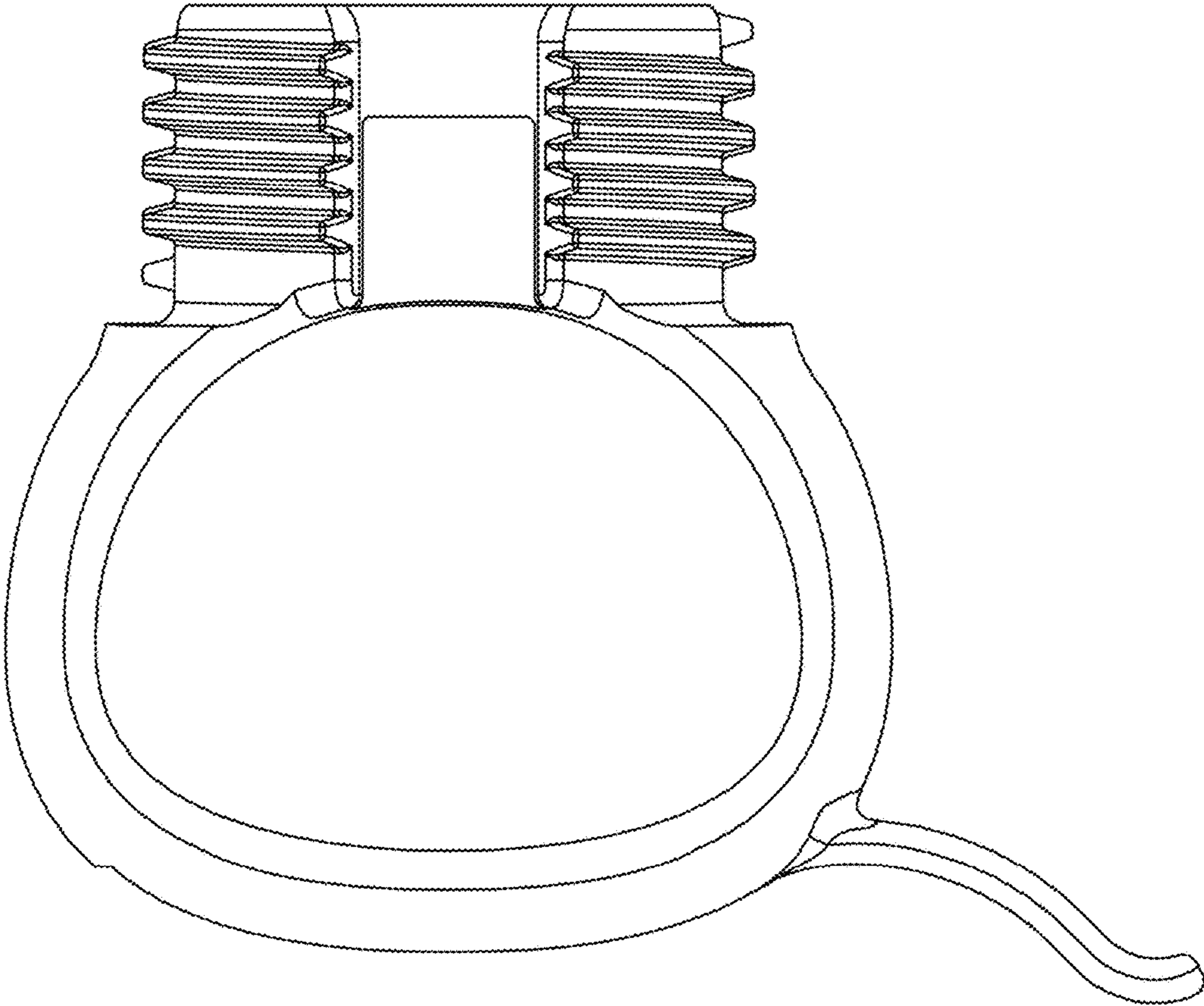
1.4



1.5



1.6



1.7

