



US00D977649S

(12) **United States Design Patent** (10) **Patent No.:** **US D977,649 S**
Yi (45) **Date of Patent:** **** Feb. 7, 2023**

(54) **FINGERTIP PULSE OXIMETER**
(71) Applicant: **SHENZHEN YIMI LIFE TECHNOLOGY CO., LTD.**, Shenzhen (CN)
(72) Inventor: **Yao Yi**, Shenzhen (CN)
(73) Assignee: **SHENZHEN YIMI LIFE TECHNOLOGY CO., LTD.**, Shenzhen (CN)
(**) Term: **15 Years**
(21) Appl. No.: **29/819,771**
(22) Filed: **Dec. 17, 2021**

D524,444 S * 7/2006 Tomioka D24/186
D548,128 S * 8/2007 Andren D11/3
D550,112 S * 9/2007 Andren D11/3
D553,536 S * 10/2007 Andren D11/3
D570,711 S * 6/2008 Dorsz D10/32
D584,974 S * 1/2009 Fukuda D10/70
D597,211 S * 7/2009 Ewing D24/187
D601,257 S * 9/2009 Berlinger D24/186
D603,966 S * 11/2009 Jones D24/165
D610,688 S * 2/2010 Donars D24/169
D615,655 S * 5/2010 Maser D24/169
D632,202 S * 2/2011 Rodarmel D11/3
D639,956 S * 6/2011 Bain D24/169
D646,391 S * 10/2011 Ibuki D24/165
D663,422 S * 7/2012 Missanelli D24/169
D664,880 S * 8/2012 Cobbett D11/3
D664,881 S * 8/2012 Cobbett D11/3

(Continued)

(30) **Foreign Application Priority Data**
Sep. 27, 2021 (CN) 202130640354.3
(51) **LOC (14) Cl.** **24-01**
(52) **U.S. Cl.**
USPC **D24/169**
(58) **Field of Classification Search**
USPC D24/107, 164-169, 185-187; D10/98, D10/75, 70; D14/344
CPC A61B 5/0404; A61B 5/021; A61B 5/024; A61B 5/02438; A61B 5/681; A61B 5/0402; A61B 2560/0462; A61B 5/0205; A61B 5/0247; A61B 5/14552; A61B 5/6626; A61B 5/6638; G01N 33/66; G01N 33/49; G01N 33/493
See application file for complete search history.

FOREIGN PATENT DOCUMENTS

CN 306523820 * 5/2021

Primary Examiner — T Chase Nelson
Assistant Examiner — Kelly L Gross

(57) **CLAIM**

The ornamental design for a fingertip pulse oximeter, as shown and described.

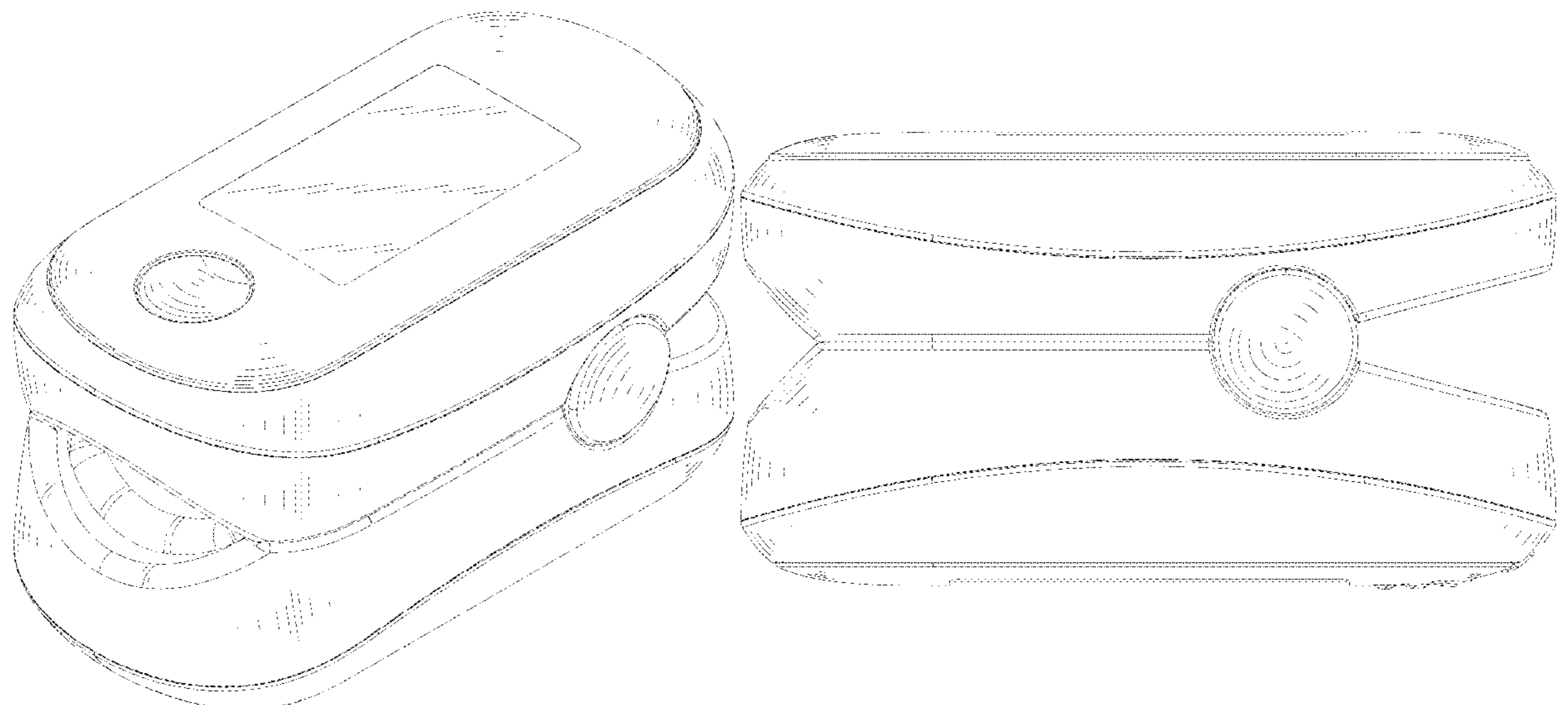
DESCRIPTION

FIG. 1 is a perspective view of a fingertip pulse oximeter showing my new design;
FIG. 2 is another perspective view thereof;
FIG. 3 is a front elevational view thereof;
FIG. 4 is a rear elevational view thereof;
FIG. 5 is a left side elevational view thereof;
FIG. 6 is a right side elevational view thereof;
FIG. 7 is a top plan view thereof; and,
FIG. 8 is a bottom plan view thereof.

The broken lines and areas within the broken lines form no part of the claimed design.

1 Claim, 8 Drawing Sheets

(56) **References Cited**
U.S. PATENT DOCUMENTS
4,809,700 A * 3/1989 Castelli A61B 5/25 D24/186
D392,740 S * 3/1998 Yung D24/169
D434,150 S * 11/2000 Tumey D24/111



(56)

References Cited

U.S. PATENT DOCUMENTS

D664,882 S *	8/2012	Cobbett	D11/3	D863,997 S *	10/2019	Garner	D10/70
D668,340 S *	10/2012	Wang	D24/165	D867,599 S *	11/2019	Barbaric	D24/186
D670,388 S *	11/2012	Jin	D24/165	D868,780 S *	12/2019	Doan	D14/344
D676,137 S *	2/2013	Lindberg	D24/187	D877,339 S *	3/2020	Xian	D24/165
D678,533 S *	3/2013	Bernstein	D24/187	D881,044 S *	4/2020	Nguyen	D10/70
D688,584 S *	8/2013	Cobbett	D11/3	D887,405 S *	6/2020	Kozlovskaya	D14/344
D691,726 S *	10/2013	Jin	D24/169	D893,728 S *	8/2020	Zhao	D24/165
D695,406 S *	12/2013	Tsai	D24/169	D894,398 S *	8/2020	Wei	D24/169
D716,174 S *	10/2014	Tsang	D11/3	D894,399 S *	8/2020	Wei	D24/169
D718,455 S *	11/2014	Maser	D24/169	D895,613 S *	9/2020	Kozlovskaya	D14/344
D718,866 S *	12/2014	Law	D24/167	D895,805 S *	9/2020	Wei	D24/169
D719,264 S *	12/2014	Law	D24/167	D901,317 S *	11/2020	Nothacker	D10/70
D719,659 S *	12/2014	Wada	D24/169	D903,872 S *	12/2020	Wang	D24/169
D721,177 S *	1/2015	Ahlstrom	D24/169	D904,920 S *	12/2020	Harms	D14/344
D725,768 S *	3/2015	Eustis	D24/165	D908,882 S *	1/2021	De Marco	D24/165
D726,571 S *	4/2015	Kovach	D11/3	D908,883 S *	1/2021	Eilevstjønn	D24/167
D727,183 S *	4/2015	Park	D10/70	D912,666 S *	3/2021	Bournique	D14/344
D728,394 S *	5/2015	Au Yeung	D10/70	D912,830 S *	3/2021	Eisen	D24/186
D733,305 S *	6/2015	Miyashita	D24/169	D917,304 S *	4/2021	Cabral	D10/32
D737,699 S *	9/2015	Chang	D10/70	D917,699 S *	4/2021	Lim	D24/169
D739,943 S *	9/2015	Pernu	D24/167	D918,071 S *	5/2021	Nothacker	D10/70
D739,944 S *	9/2015	Pernu	D24/167	D919,095 S *	5/2021	Hwang	D24/167
D747,490 S *	1/2016	Harkin	D24/169	D919,101 S *	5/2021	Jung	D24/186
D750,786 S *	3/2016	Davies	D24/169	D922,582 S *	6/2021	Peng	D24/165
D751,210 S *	3/2016	Thomas	D24/186	D924,231 S *	7/2021	Zhang	D14/344
D753,314 S *	4/2016	Stivoric	D24/187	D925,742 S *	7/2021	Zhang	D24/165
D755,787 S *	5/2016	Zander	D14/344	D926,324 S *	7/2021	Zhang	D24/169
D758,900 S *	6/2016	Garner	D10/70	D928,325 S *	8/2021	Hwang	D24/167
D760,395 S *	6/2016	Barbaric	D24/186	D928,647 S *	8/2021	Harms	D24/186
D781,164 S *	3/2017	Haapakoski	D10/70	D928,963 S *	8/2021	Hwang	D24/167
D782,045 S *	3/2017	Chou	D24/164	D929,879 S *	9/2021	Paschke	D10/70
D787,067 S *	5/2017	Wightman	D24/169	D930,837 S *	9/2021	Hwang	D24/167
D789,929 S *	6/2017	Tan	D14/344	D931,467 S *	9/2021	Golda	D24/186
D790,374 S *	6/2017	Lean	D10/70	D933,235 S *	10/2021	Hwang	D14/344
D795,719 S *	8/2017	Lean	D10/70	D934,430 S *	10/2021	Jariwala	D24/186
D796,357 S *	9/2017	Park	D24/169	D935,617 S *	11/2021	Vardi	D24/167
D796,363 S *	9/2017	Ross	D10/70	D937,418 S *	11/2021	Byler	D24/167
D800,313 S *	10/2017	Chang	D24/167	D937,423 S *	11/2021	Albert	D24/186
D801,527 S *	10/2017	Nishiyama	D24/166	D939,365 S *	12/2021	Nothacker	D10/70
D803,709 S *	11/2017	Le Bihan	D10/70	D940,330 S *	1/2022	Räisänen	D10/70
D804,335 S *	12/2017	Bihan	D10/70	D944,792 S *	3/2022	Fraboulet	D14/344
D805,413 S *	12/2017	Chen	D10/70	D948,057 S *	4/2022	Rahman	D24/173
D805,643 S *	12/2017	Wu	D24/167	D949,345 S *	4/2022	Miryazdi	D24/186
D809,664 S *	2/2018	Ma	D24/169	D949,720 S *	4/2022	Matsumoto	D10/70
D814,643 S *	4/2018	Mockler	D14/344	D950,549 S *	5/2022	King	D14/344
D822,836 S *	7/2018	Wu	D10/38	D952,160 S *	5/2022	Kim	D24/186
D824,530 S *	7/2018	Velschow	D24/169	D953,534 S *	5/2022	Li	D24/169
D827,838 S *	9/2018	Lillquist	D10/38	D957,640 S *	7/2022	Gohil	D24/169
D830,557 S *	10/2018	Sebban	D24/167	D957,641 S *	7/2022	Li	D24/169
D831,521 S *	10/2018	Hodge	D11/3	2002/0026937 A1 *	3/2002	Mault	G01N 33/497 128/200.24
D833,625 S *	11/2018	Guan	D14/344	2014/0336493 A1 *	11/2014	Kulach	A61B 5/6831 600/390
D838,194 S *	1/2019	Mays	D10/70	2017/0319063 A1 *	11/2017	Verdooner	A61B 5/4809
D838,853 S *	1/2019	Lumme	D10/70	2017/0340210 A1 *	11/2017	Chuang	A61B 5/02141
D840,041 S *	2/2019	Li	D14/344	2019/0021612 A1 *	1/2019	Lin	A61B 5/022
D841,171 S *	2/2019	Li	D14/344	2019/0037919 A1 *	2/2019	Doan	G09B 5/02
D842,719 S *	3/2019	Doan	D10/70	2019/0110755 A1 *	4/2019	Capodilupo	G06K 9/6282
D848,875 S *	5/2019	Wildner	D10/70	2021/0161470 A1 *	6/2021	Wu	A61B 5/6825
D854,697 S *	7/2019	Yang	D24/187	2021/0251572 A1 *	8/2021	Gill	A61B 5/681
D857,011 S *	8/2019	Kang	D14/344	2022/0142529 A1 *	5/2022	Li	A61B 5/681
D857,542 S *	8/2019	Sun	D11/3	2022/0151492 A1 *	5/2022	Atkin	A61B 5/14551
D860,989 S *	9/2019	Choplin	D14/344					

* cited by examiner

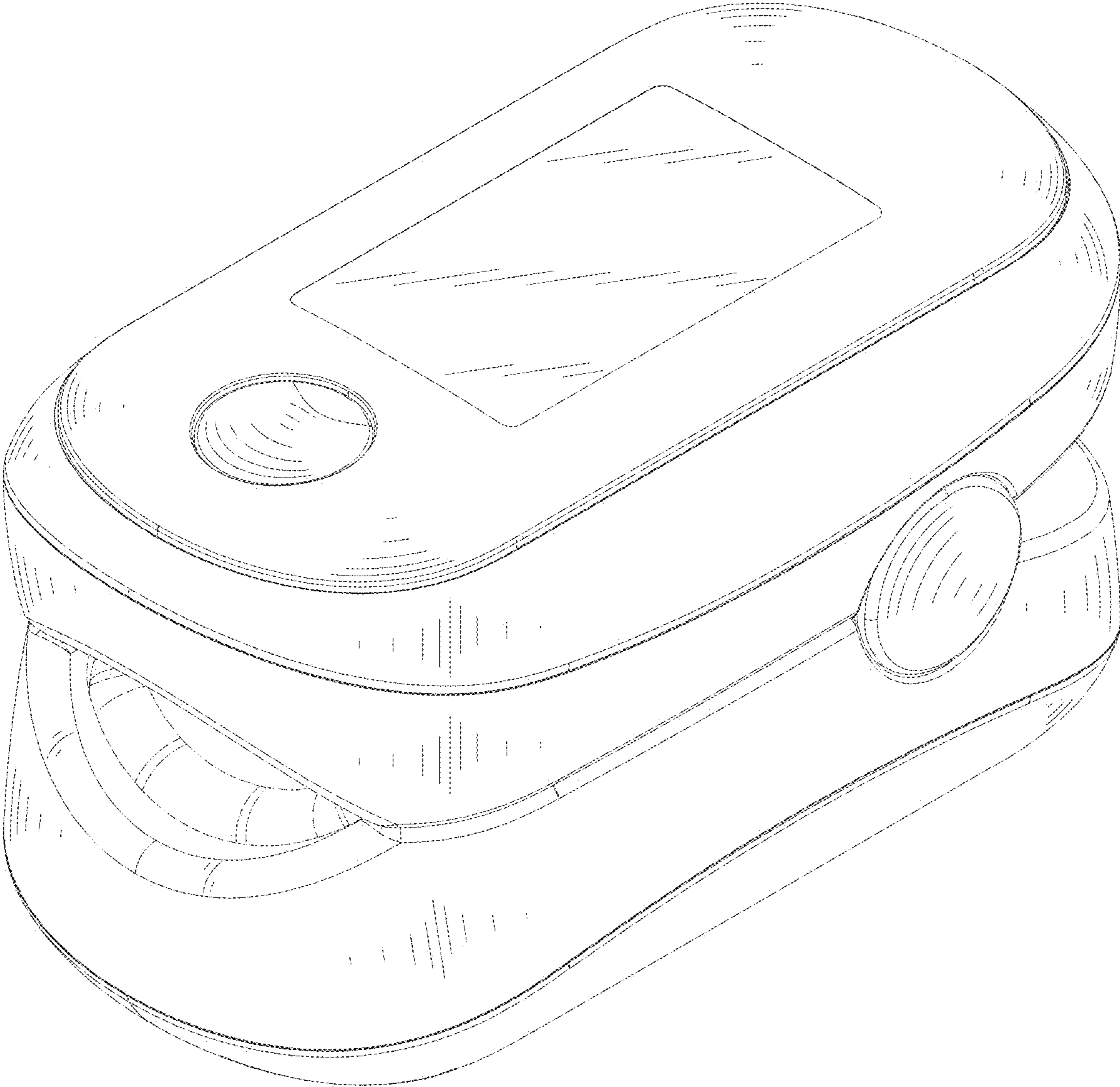


FIG. 1

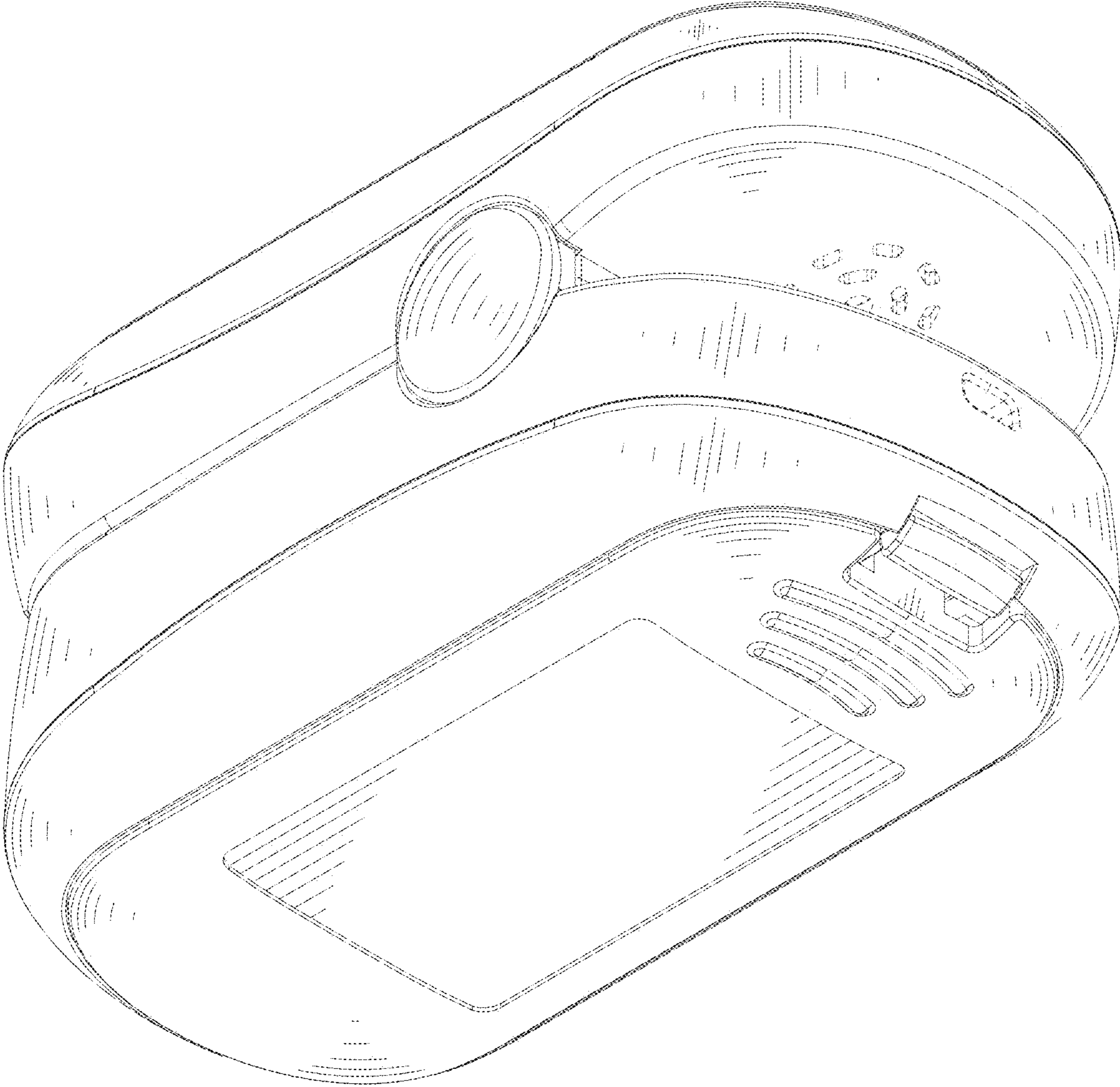


FIG. 2

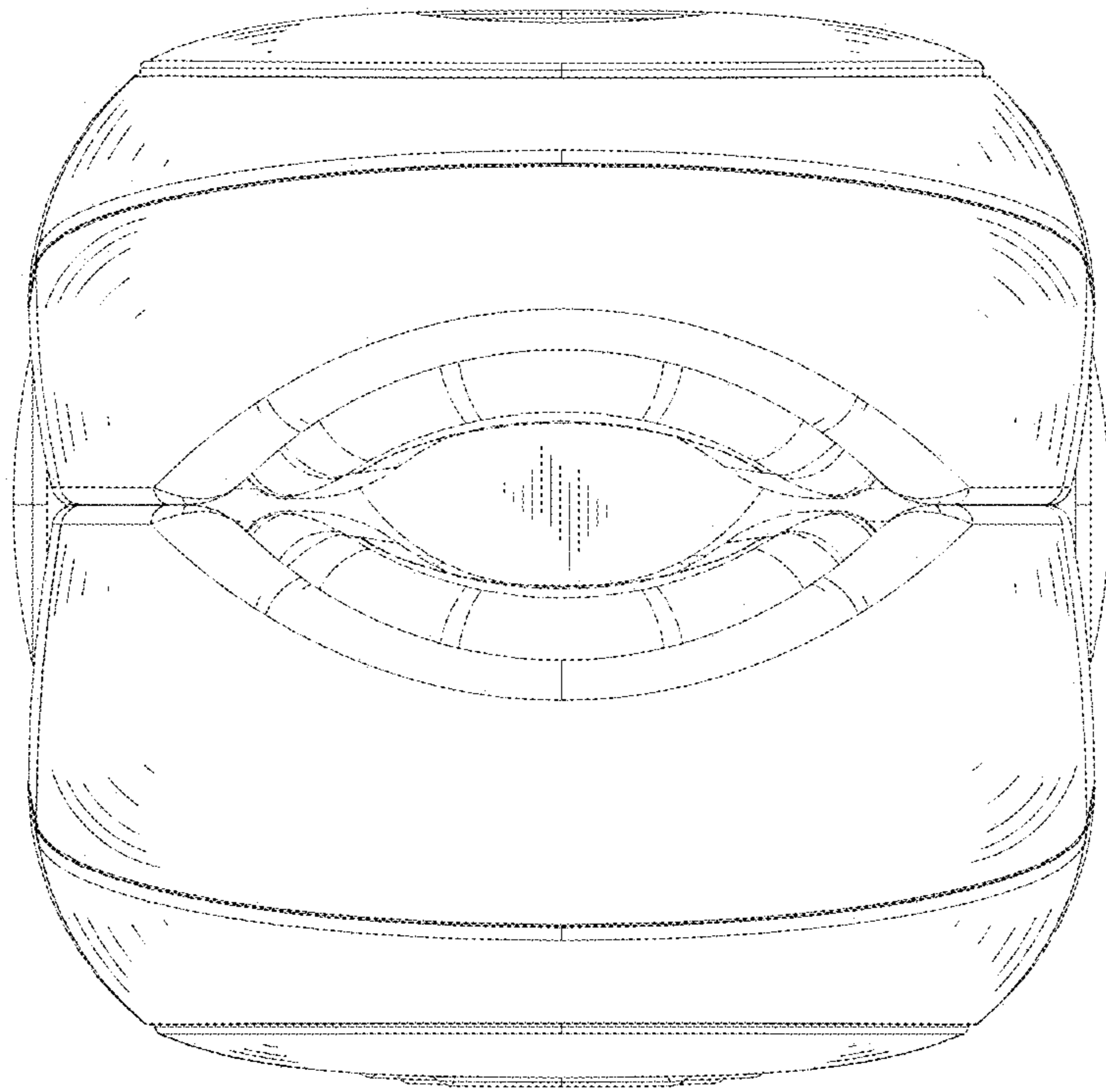


FIG. 3

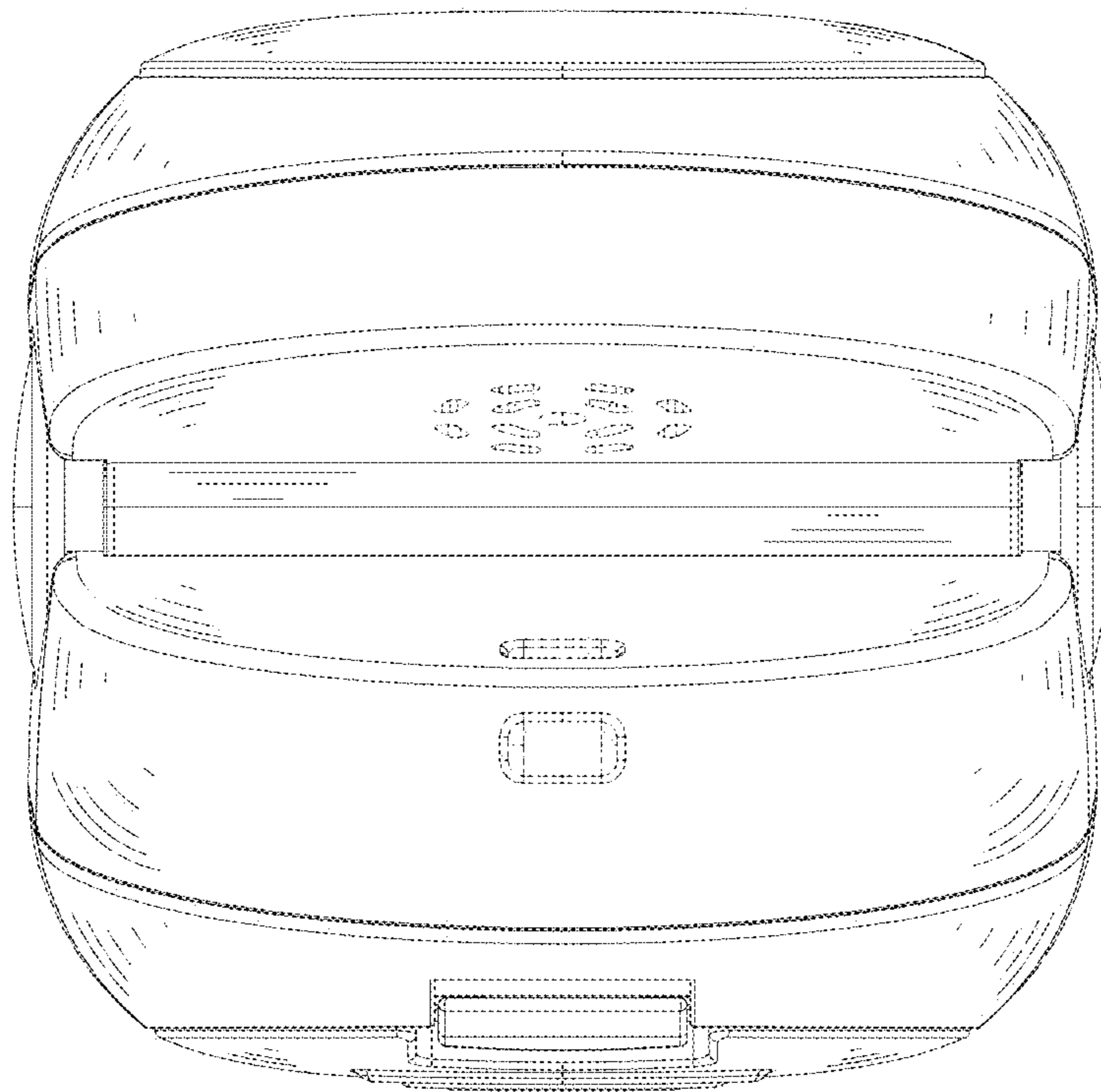


FIG. 4

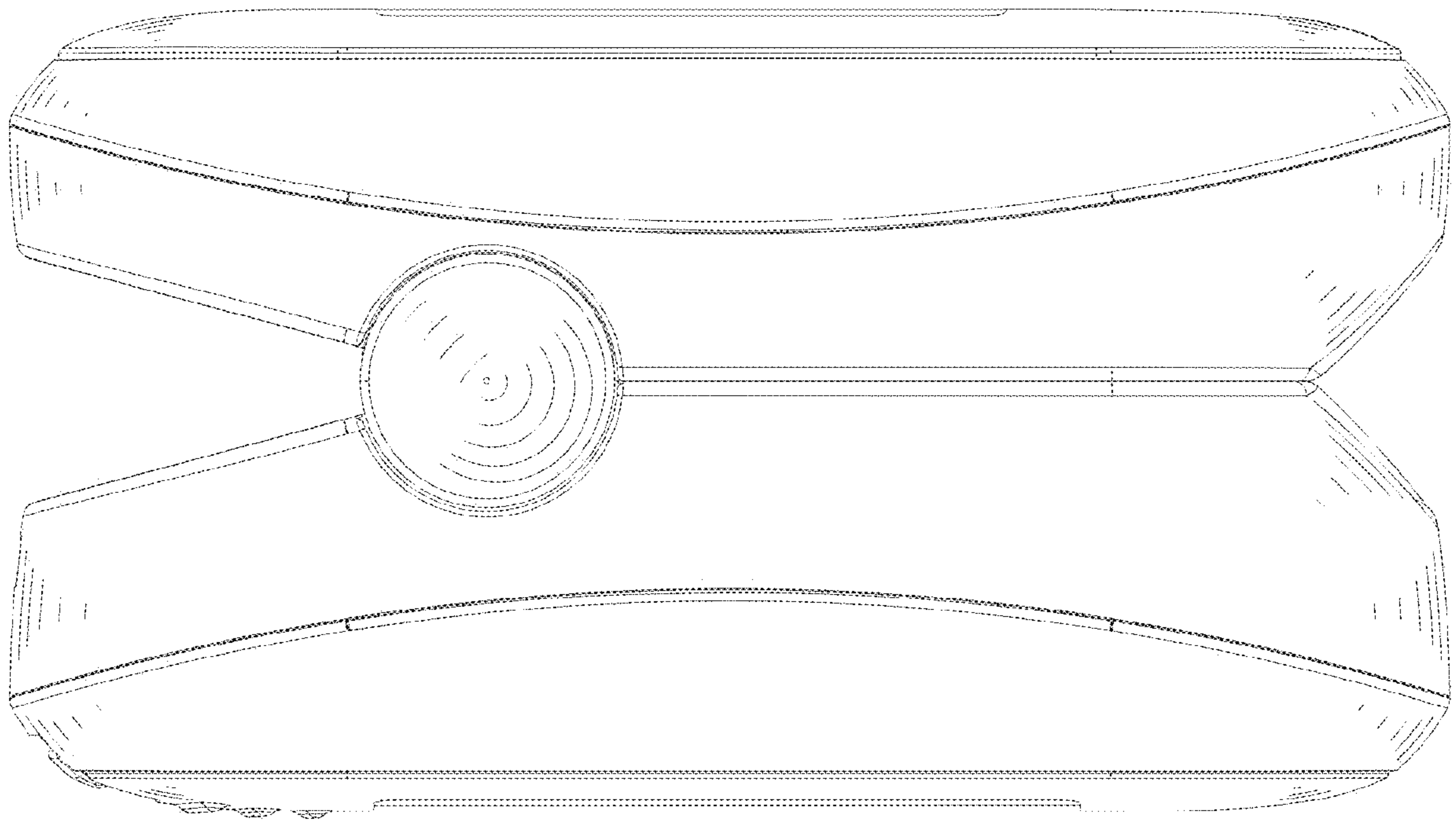


FIG. 5

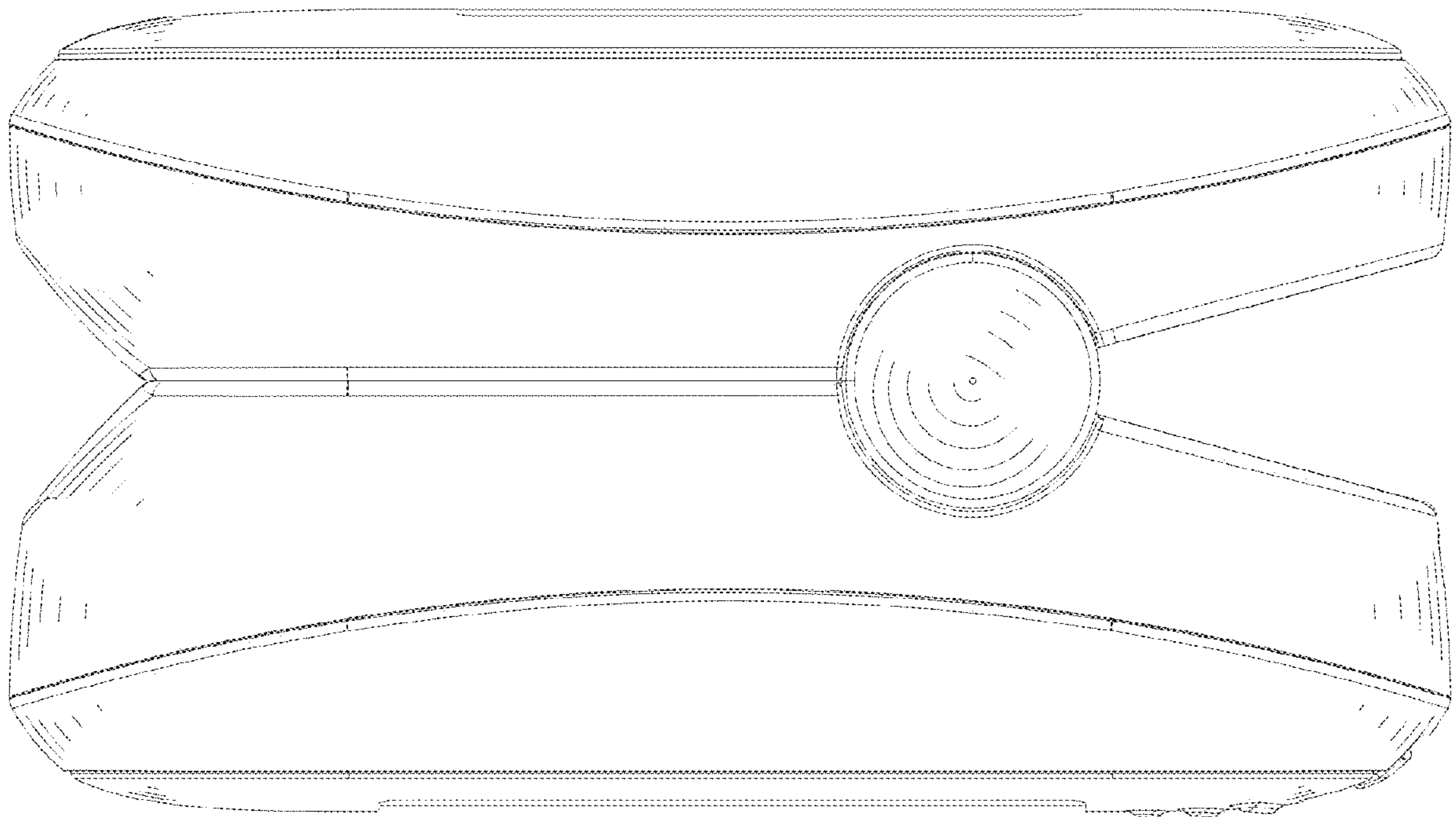


FIG. 6

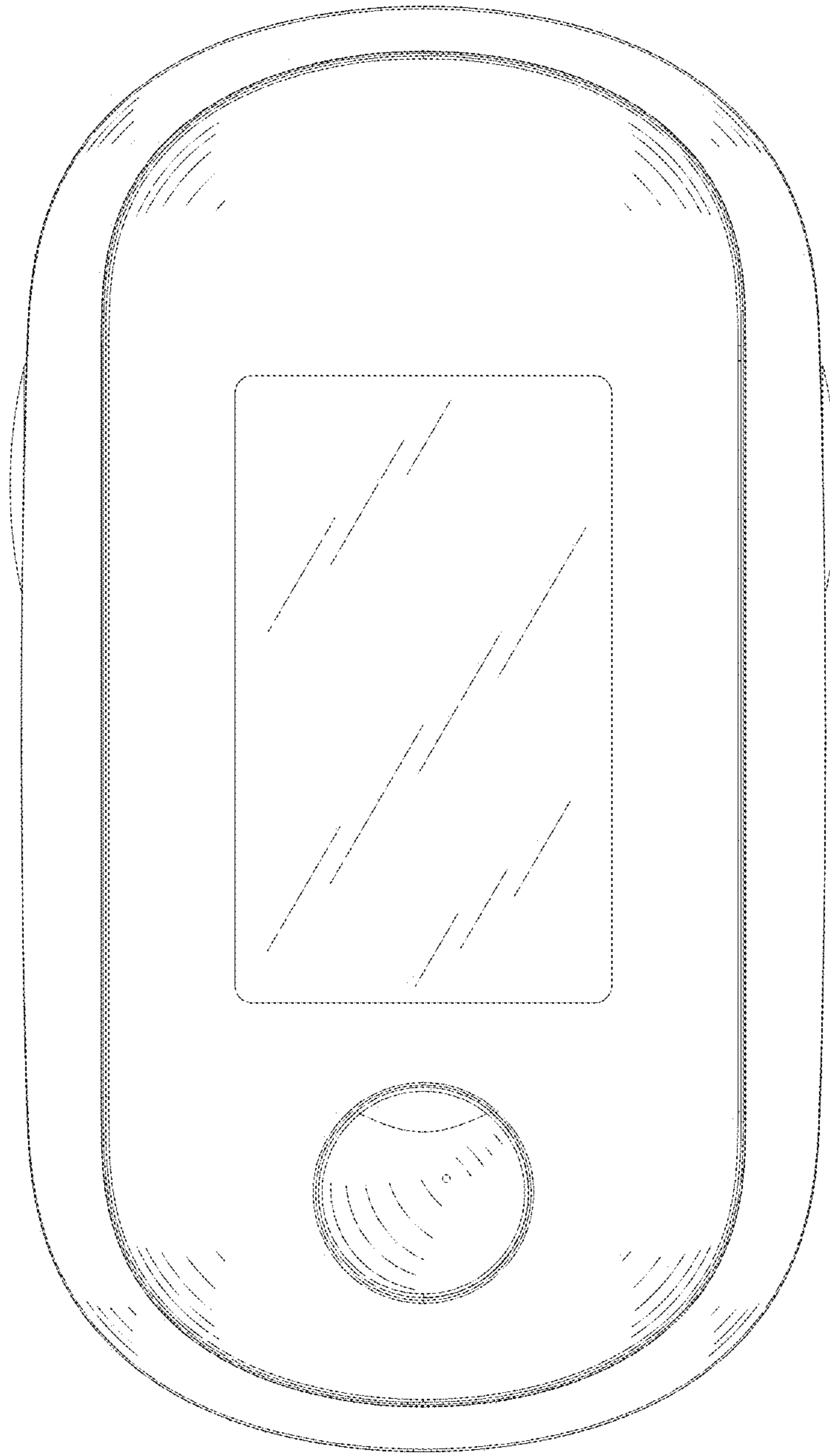


FIG. 7

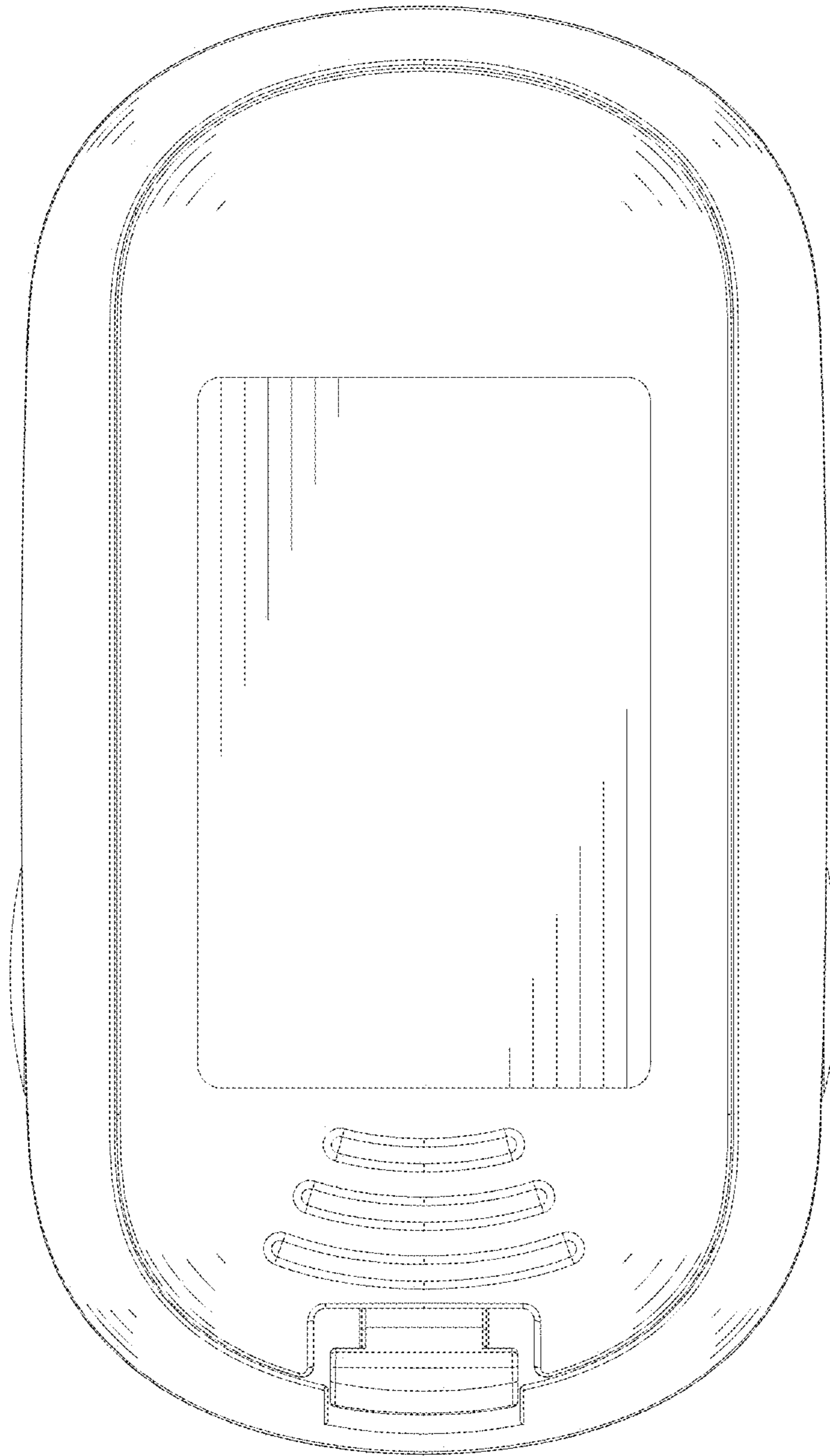


FIG. 8