



US00D977648S

(12) **United States Design Patent**  
**Mehra et al.**

(10) **Patent No.:** **US D977,648 S**  
(45) **Date of Patent:** **\*\* Feb. 7, 2023**

(54) **PROSTHETIC FOOT**  
(71) Applicants: **Nimish Mehra**, Mohali (IN); **Cyril Joe Baby**, Bangalore (IN); **Tanay Shah**, Vadodara (IN)  
(72) Inventors: **Nimish Mehra**, Mohali (IN); **Cyril Joe Baby**, Bangalore (IN); **Tanay Shah**, Vadodara (IN)

(\*\*) Term: **15 Years**

(21) Appl. No.: **29/768,418**

(22) Filed: **Jan. 29, 2021**

(30) **Foreign Application Priority Data**

Jul. 29, 2020 (IN) ..... 331477-001

(51) **LOC (14) Cl.** ..... **24-03**

(52) **U.S. Cl.**  
USPC ..... **D24/155**

(58) **Field of Classification Search**  
USPC ..... D24/155  
CPC ..... A61F 2/80; A61F 2/60; A61F 2/76; A61F 2/68; A61F 2/64  
See application file for complete search history.

(56) **References Cited**

**U.S. PATENT DOCUMENTS**

5,062,859 A \* 11/1991 Naeder ..... A61F 2/66  
623/53  
5,387,246 A \* 2/1995 Phillips ..... A61F 2/602  
36/117.3

6,197,066 B1 \* 3/2001 Gabourie ..... A61F 2/66  
623/55  
6,719,807 B2 \* 4/2004 Harris ..... A61F 2/66  
623/53  
7,172,630 B2 \* 2/2007 Christensen ..... A61F 2/66  
623/53  
7,341,603 B2 \* 3/2008 Christensen ..... A61F 2/66  
623/56  
D632,392 S \* 2/2011 Jacobs ..... D24/155  
D633,618 S \* 3/2011 Johnson ..... D24/155  
D655,009 S \* 2/2012 L'Heureux ..... D24/155  
D731,062 S \* 6/2015 Meyer ..... D24/155  
D904,617 S \* 12/2020 Albertsson ..... D24/155

\* cited by examiner

*Primary Examiner* — Charles D Hanson

(74) *Attorney, Agent, or Firm* — Helix Patent Services LLC

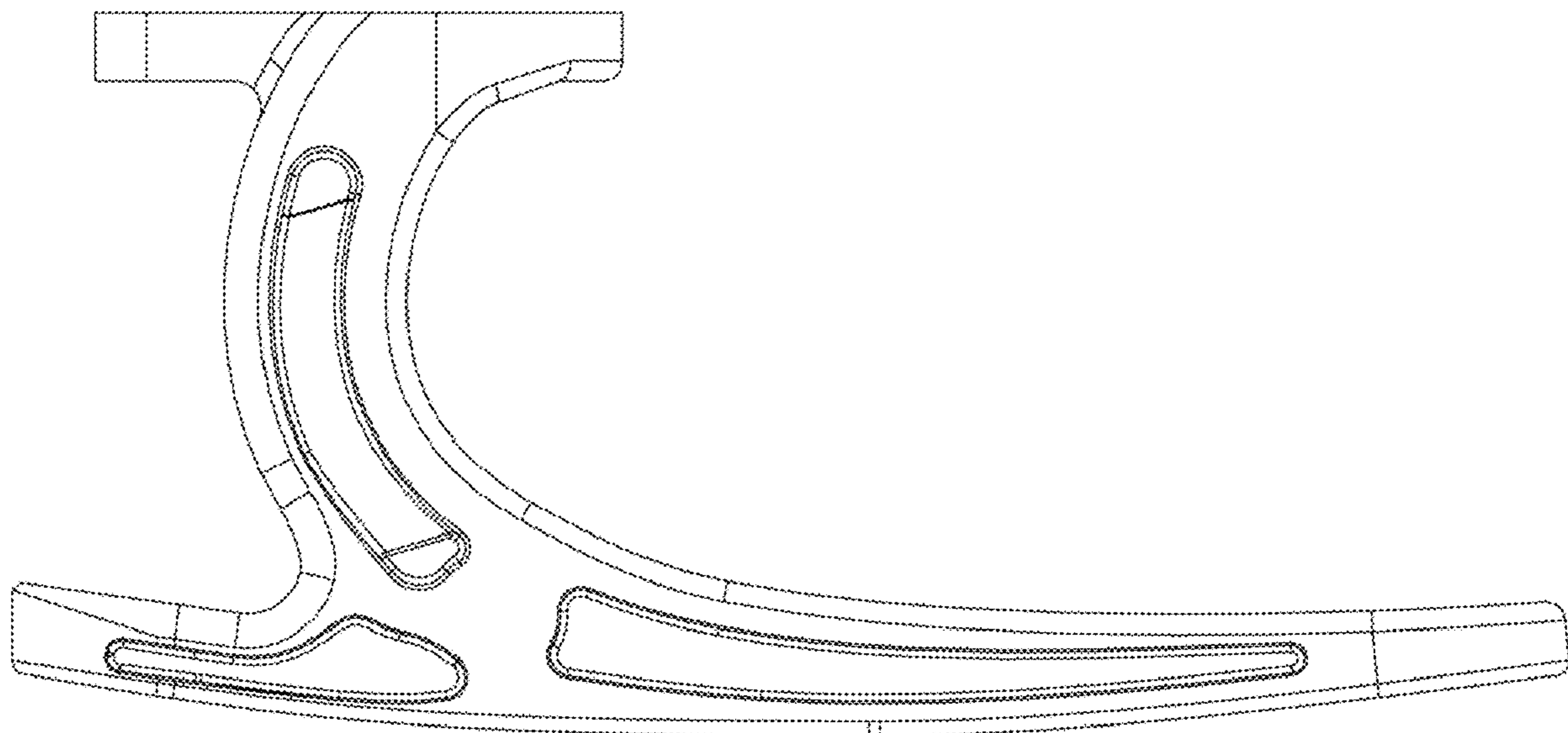
(57) **CLAIM**

The ornamental design for a prosthetic foot, as shown and as described.

**DESCRIPTION**

FIG. 1 is a front view of a prosthetic foot, showing our new design;  
FIG. 2 is a rear view thereof;  
FIG. 3 is a top view thereof;  
FIG. 4 is a bottom view thereof;  
FIG. 5 is a left-side view thereof;  
FIG. 6 is a right-side view thereof; and  
FIG. 7 is a front perspective view thereof; and,  
FIG. 8 is a rear perspective view thereof.

**1 Claim, 6 Drawing Sheets**



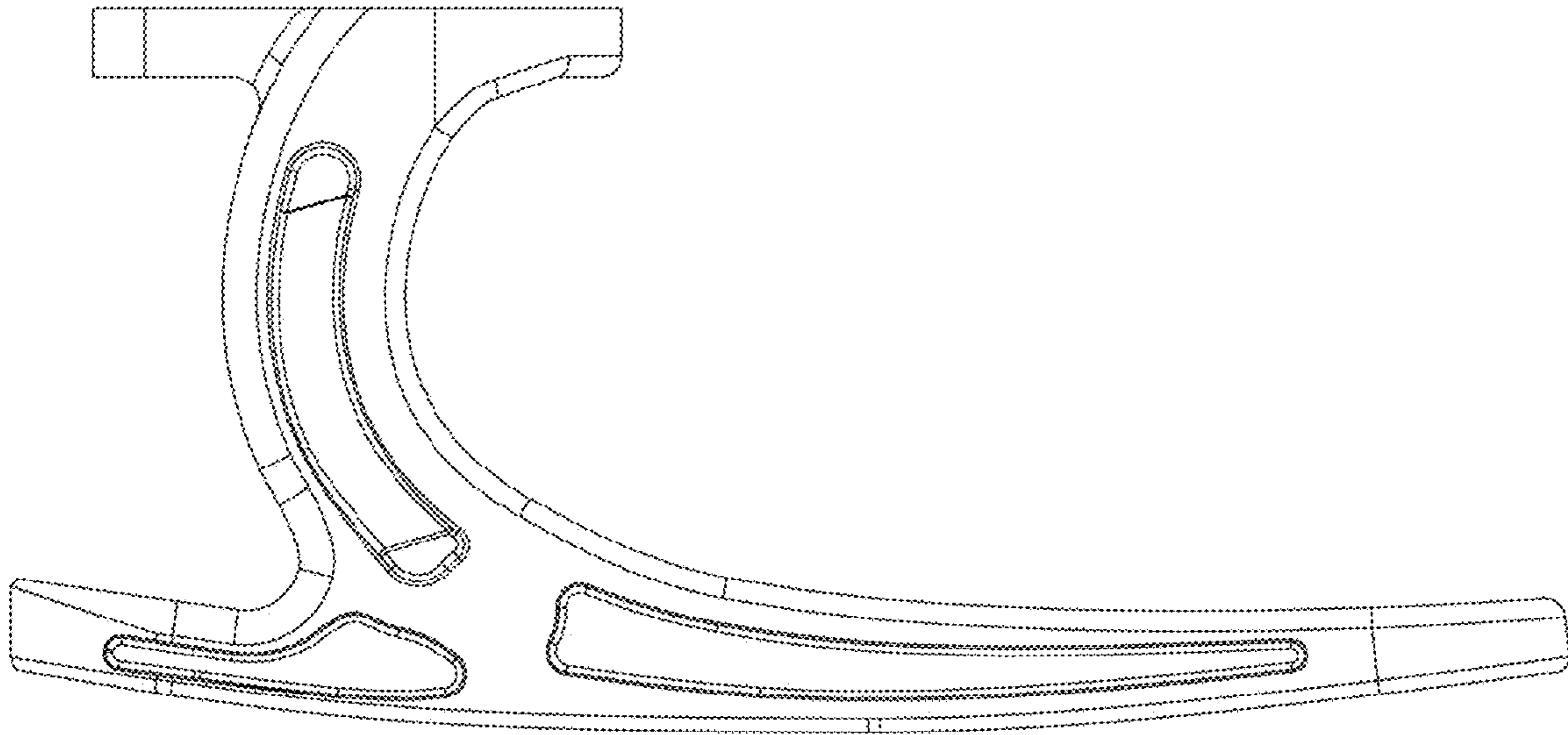


Fig. 1

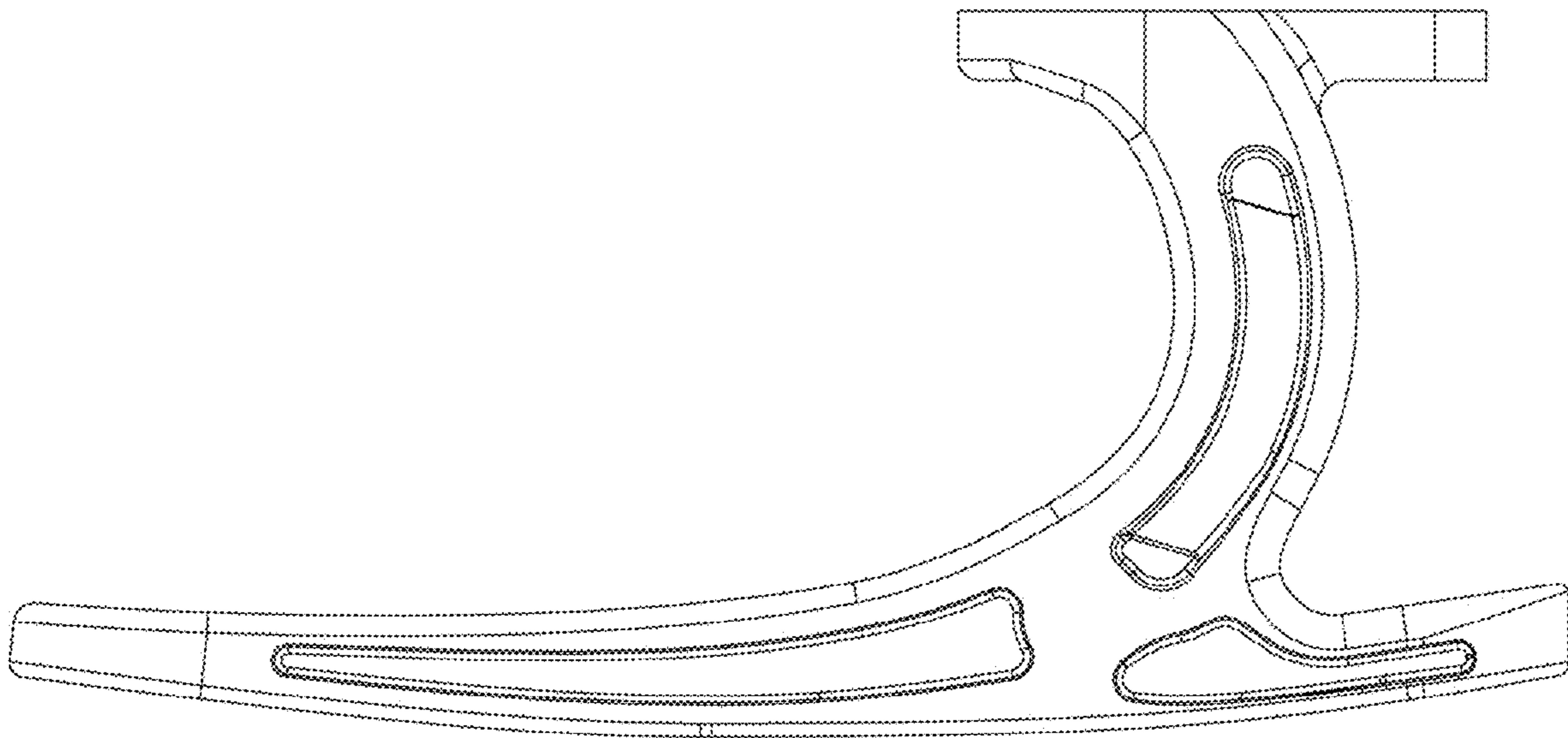


Fig. 2

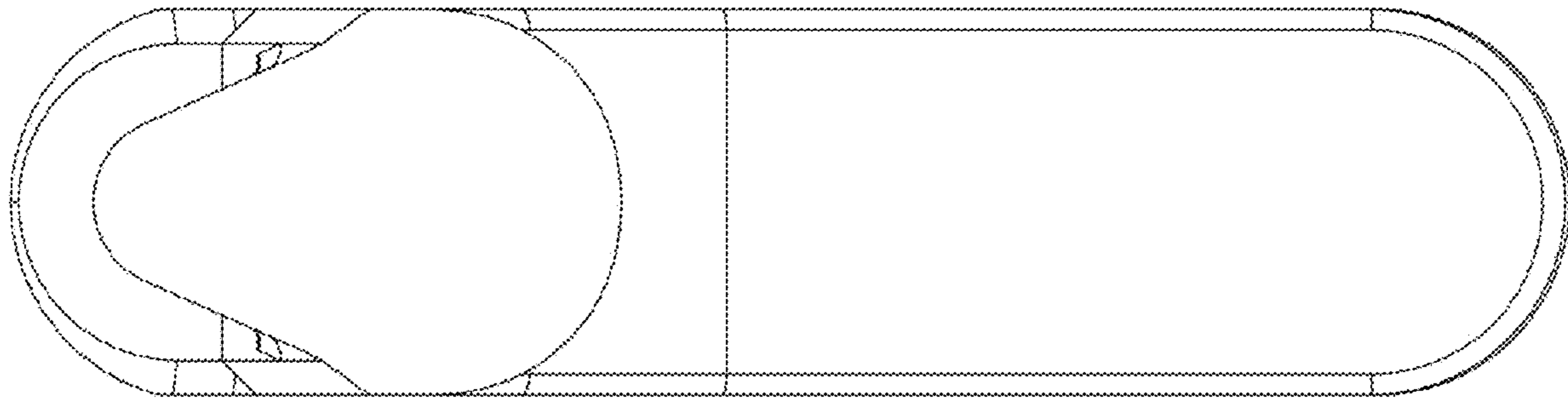


Fig. 3

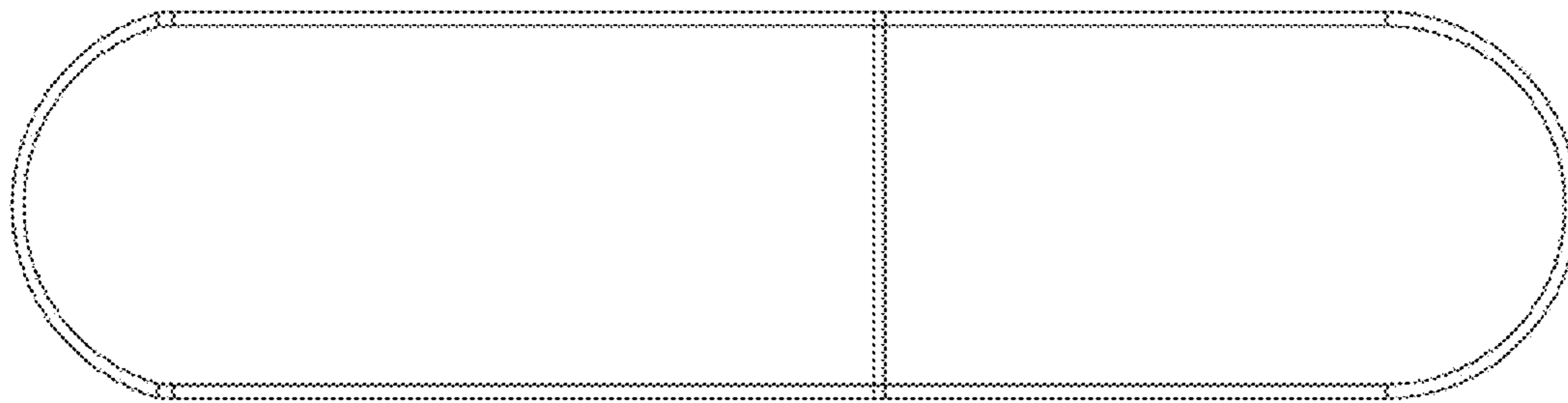


Fig. 4

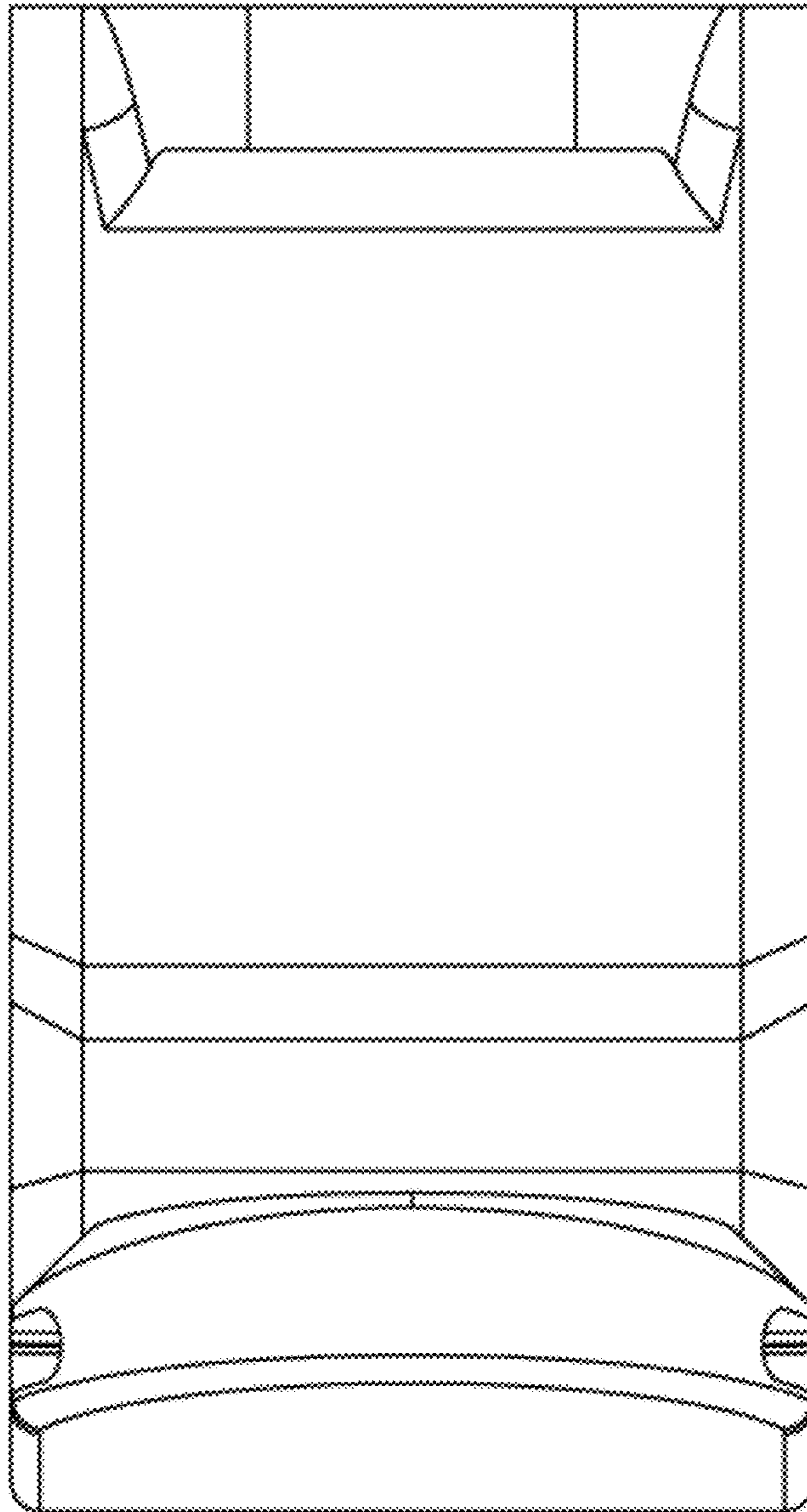


Fig. 5

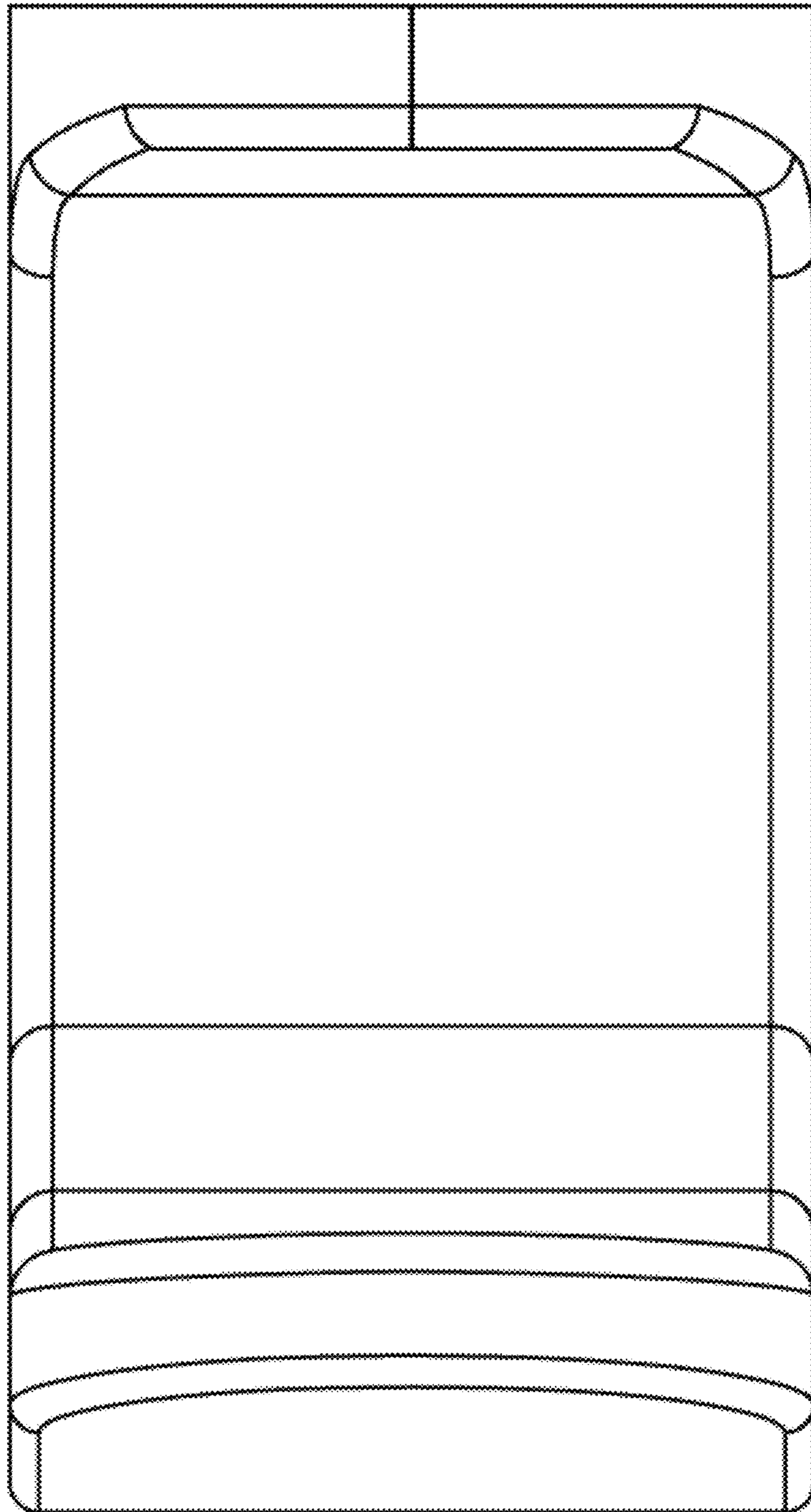


Fig. 6

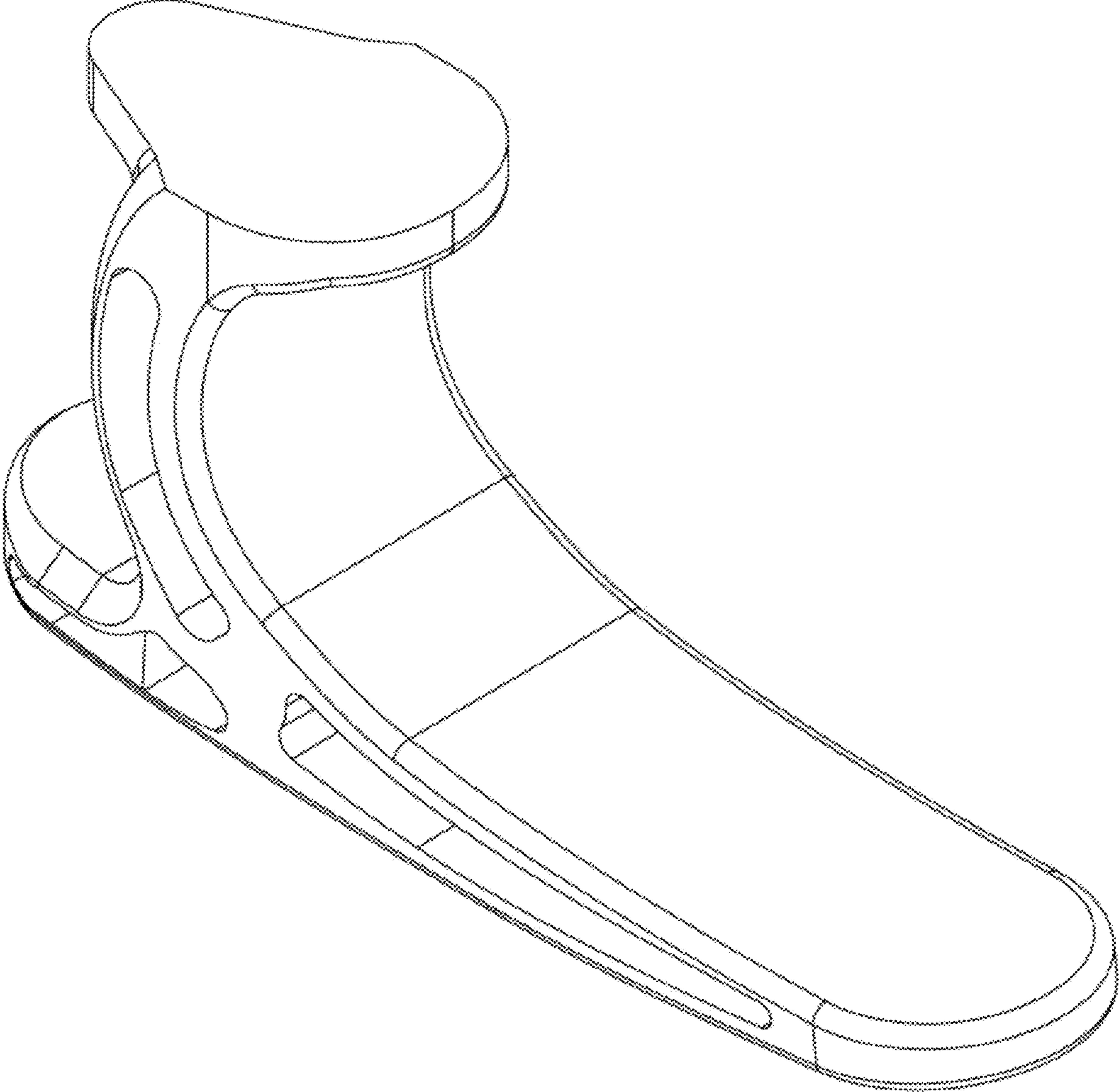


Fig. 7

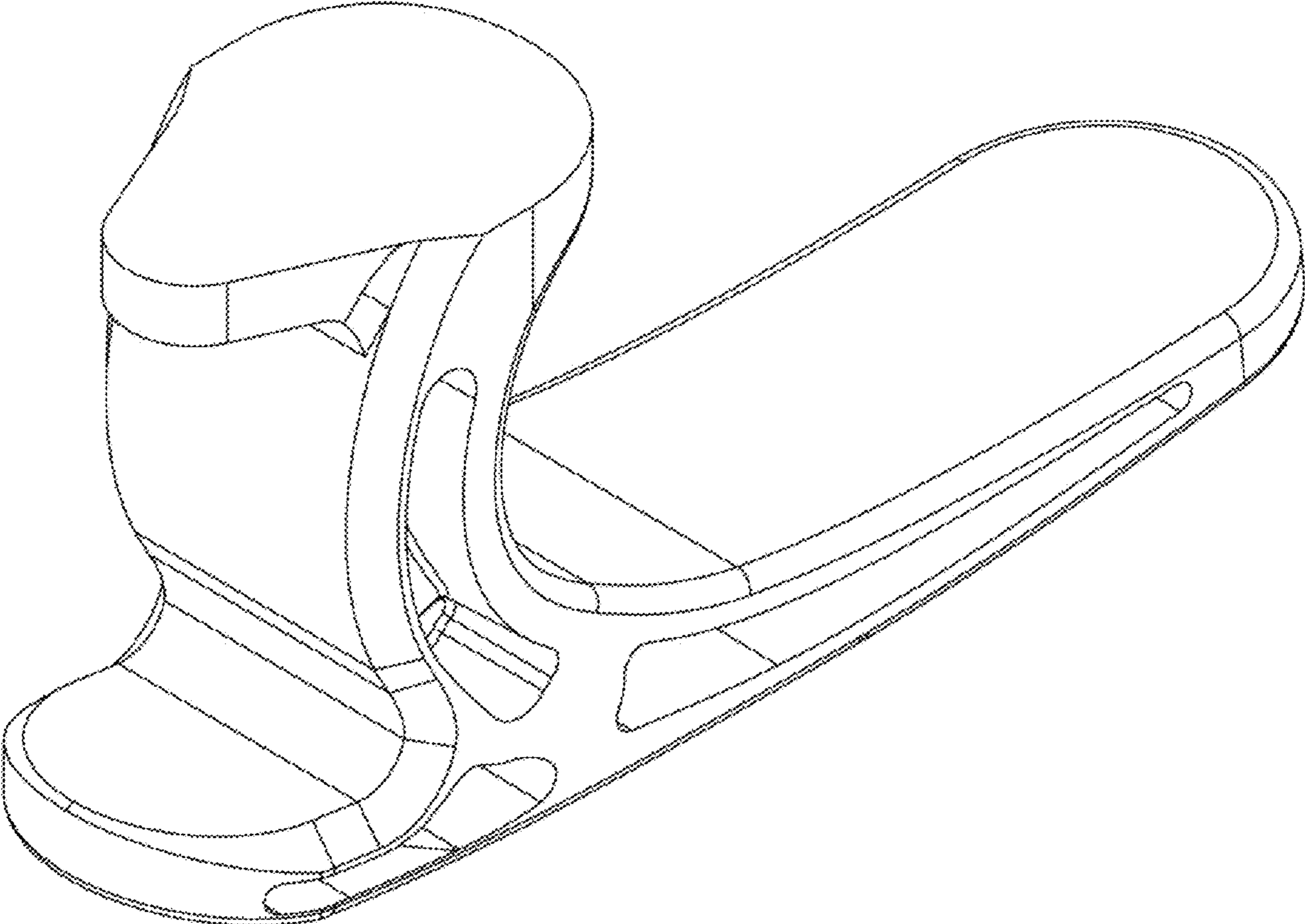


Fig. 8