



US00D977641S

(12) **United States Design Patent**
Reil et al.

(10) **Patent No.:** **US D977,641 S**
(45) **Date of Patent:** **** Feb. 7, 2023**

(54) **OVERHANGING JAW CARTRIDGE FOR
BODY PIERCING INSTRUMENT**

FOREIGN PATENT DOCUMENTS

EP 0415777 A1 3/1991

(71) Applicant: **Goran Reil**, Gardena, CA (US)

OTHER PUBLICATIONS

(72) Inventors: **Vladimir Reil**, Rancho Palos Verdes,
CA (US); **Goran Reil**, Las Vegas, NV
(US)

8 Pack Disposable Ear Piercing Gun https://www.amazon.co.uk/Disposable-Piercing-Studs-Asepsis-Safety/dp/B0894LRY5S/ref=sr_1_1_sspa?crid=57ZO3E9Z64QI&keywords=EAR+PIERCING+GUN&qid=1647110650&sprefix=ear+piercing+gun%2Caps%2C253&sr=8-1-spons&psc=1&spLa=ZW5jcnlwdGVkUXVhbGlmaWVyPUEwTDZFVE1PVEJUODFKJmVuY3J5cHRIZEikPUEwMzQ2OTQwWFQ2UFdFVfHtOFdFJmVuY3J5cHRIZEFkSWQ9QTA2MTQ3NTQxTVF0MUVVNzQ1UVNNJndpZGdldE5hbWU9c3BfYXRmJmFjdGlvbj1jbGlja1JIZGyZWN0JmRvTm90TG9nQ2xpY2s9dHJ1ZQ== May 25, 2020 (Year: 2020).*

(**) Term: **15 Years**

(21) Appl. No.: **29/750,142**

(22) Filed: **Sep. 11, 2020**

Related U.S. Application Data

(63) Continuation of application No. 15/611,658, filed on Jun. 1, 2017, now Pat. No. 10,798,999.

(51) **LOC (14) Cl.** **24-02**

(52) **U.S. Cl.**
USPC **D24/147**

(58) **Field of Classification Search**
USPC D24/100, 105, 107, 108, 110, 111, 112,
D24/113, 114, 115, 116, 117, 118, 119,
D24/140, 141, 144, 146, 147, 223, 224,
D24/228; D28/7

CPC A44C 7/001; A44C 15/0035; A44C 7/00;
A44C 7/003; A61B 17/00; A61B 17/34;
A61B 2017/0023

See application file for complete search history.

(56) **References Cited**

U.S. PATENT DOCUMENTS

D241,175 S *	8/1976	Mann	D24/146
D242,392 S *	11/1976	Moore et al.	D24/146
4,030,507 A	6/1977	Mann		
4,146,032 A	3/1979	Rubenstein et al.		
4,474,572 A	10/1984	McNaughton et al.		
4,527,563 A	7/1985	Reil		
5,004,471 A	4/1991	Mann		
5,007,918 A *	4/1991	Mann	A44C 7/001 63/13

(Continued)

(Continued)

Primary Examiner — Samantha Q Lawrence

(74) *Attorney, Agent, or Firm* — Canady & Lortz LLP;
Bradley K. Lortz

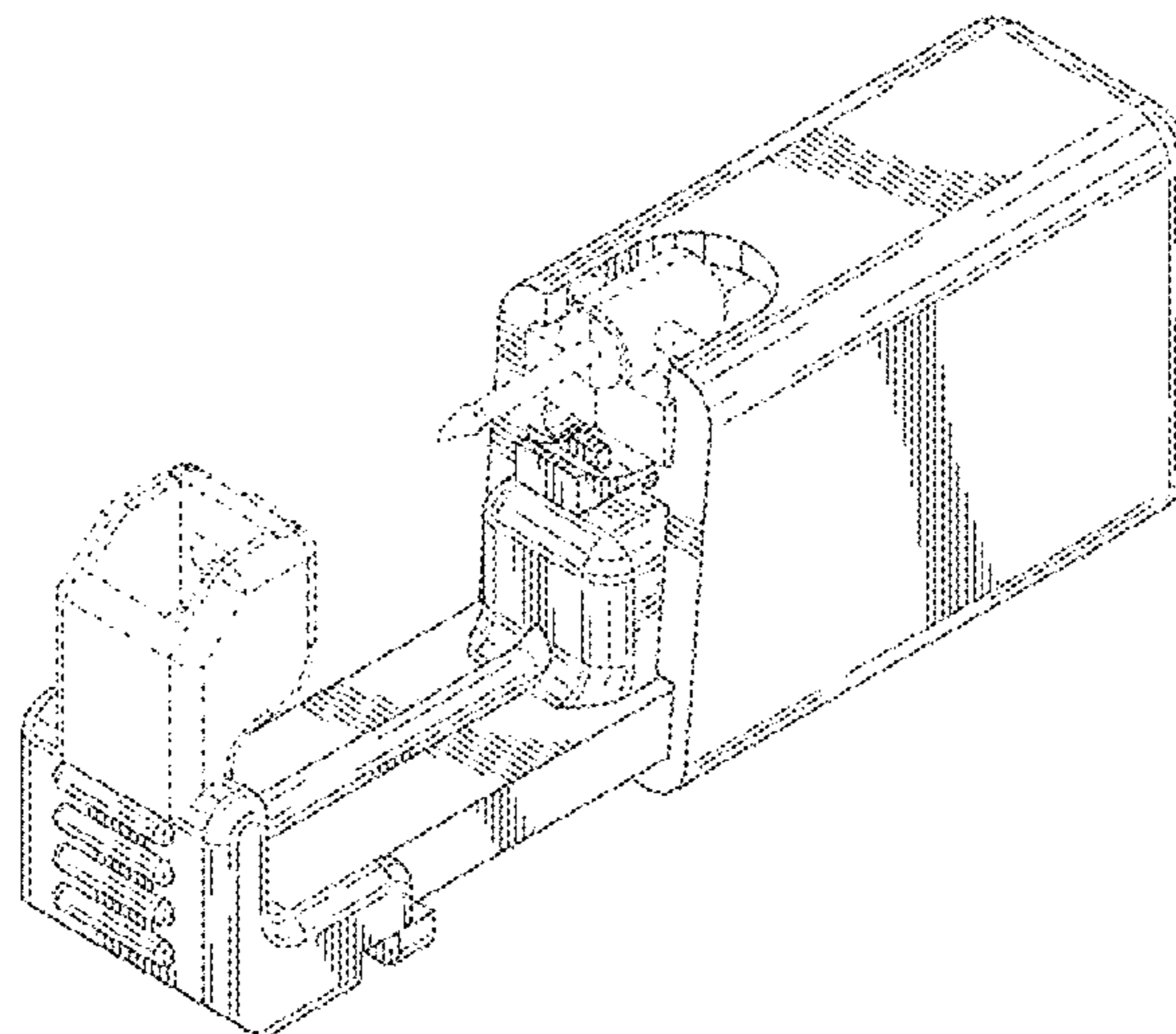
(57) **CLAIM**

The ornamental design for an overhanging jaw cartridge for body piercing instrument, as shown and described.

DESCRIPTION

FIG. 1 is a perspective view of an overhanging jaw cartridge for a body piercing instrument, showing the new design; FIG. 2 is a rear lower perspective view thereof; FIG. 3 is a front elevation view thereof, where the rear elevation view is a mirror image of the front elevation view; FIG. 4 is a right elevation view thereof; FIG. 5 is a rear elevation view thereof, where the front elevation view is a mirror image of the rear elevation view; FIG. 6 is a left elevation view thereof; FIG. 7 is a top plan view thereof; and, FIG. 8 is a bottom plan view thereof. The broken lines shown in FIGS. 1-7 illustrate portions of the overhanging jaw cartridge for body piercing instrument that form no part of the claimed design.

1 Claim, 5 Drawing Sheets



(56)

References Cited

U.S. PATENT DOCUMENTS

5,263,960 A 11/1993 Mann
 D347,895 S * 6/1994 Mann D24/140
 5,350,394 A * 9/1994 Mann A44C 7/001
 606/188
 5,389,105 A 2/1995 Mann
 5,395,381 A 3/1995 Green et al.
 D366,316 S 1/1996 Reil
 5,496,343 A 3/1996 Reil
 5,499,993 A 3/1996 Blomdahl et al.
 D384,302 S 9/1997 Reil
 5,709,700 A 1/1998 Hirota
 D392,042 S 3/1998 Reil
 5,792,170 A 8/1998 Reil
 5,868,774 A 2/1999 Reil
 5,913,869 A 6/1999 Reil
 5,925,057 A * 7/1999 Blomdahl A44C 7/001
 606/188
 6,036,712 A 3/2000 Blomdahl
 6,048,355 A 4/2000 Mann et al.
 D424,695 S * 5/2000 Reil D24/146
 6,074,406 A 6/2000 Mann
 D428,149 S * 7/2000 Mann D24/146
 6,099,545 A 8/2000 Mann et al.
 D430,933 S * 9/2000 Reil D24/146
 D450,383 S * 11/2001 Mann D24/146

6,599,306 B1 6/2003 Reil
 7,955,349 B2 6/2011 Reil
 10,548,376 B2 * 2/2020 Reil A61B 17/00
 10,798,999 B2 * 10/2020 Reil A44C 7/001
 2006/0224173 A1 * 10/2006 Reil A44C 7/001
 606/188
 2008/0208237 A1 * 8/2008 Lei A44C 7/001
 606/188
 2008/0287979 A1 * 11/2008 Blomdahl A44C 7/001
 606/188
 2008/0287980 A1 * 11/2008 Blomdahl A44C 7/001
 606/188
 2011/0238103 A1 * 9/2011 Reil A44C 7/001
 606/185
 2011/0238104 A1 * 9/2011 Reil A44C 7/001
 269/1
 2018/0055160 A1 * 3/2018 Reil A44C 7/00
 2018/0343988 A1 * 12/2018 Reil A44C 7/001
 2021/0169183 A1 * 6/2021 Cipolla A44C 7/003
 2021/0282512 A1 * 9/2021 Abel A44C 7/001

OTHER PUBLICATIONS

PCT International Search Report and Written Opinion of International Application No. PCT/US2018/035316, dated Sep. 3, 2018.

* cited by examiner

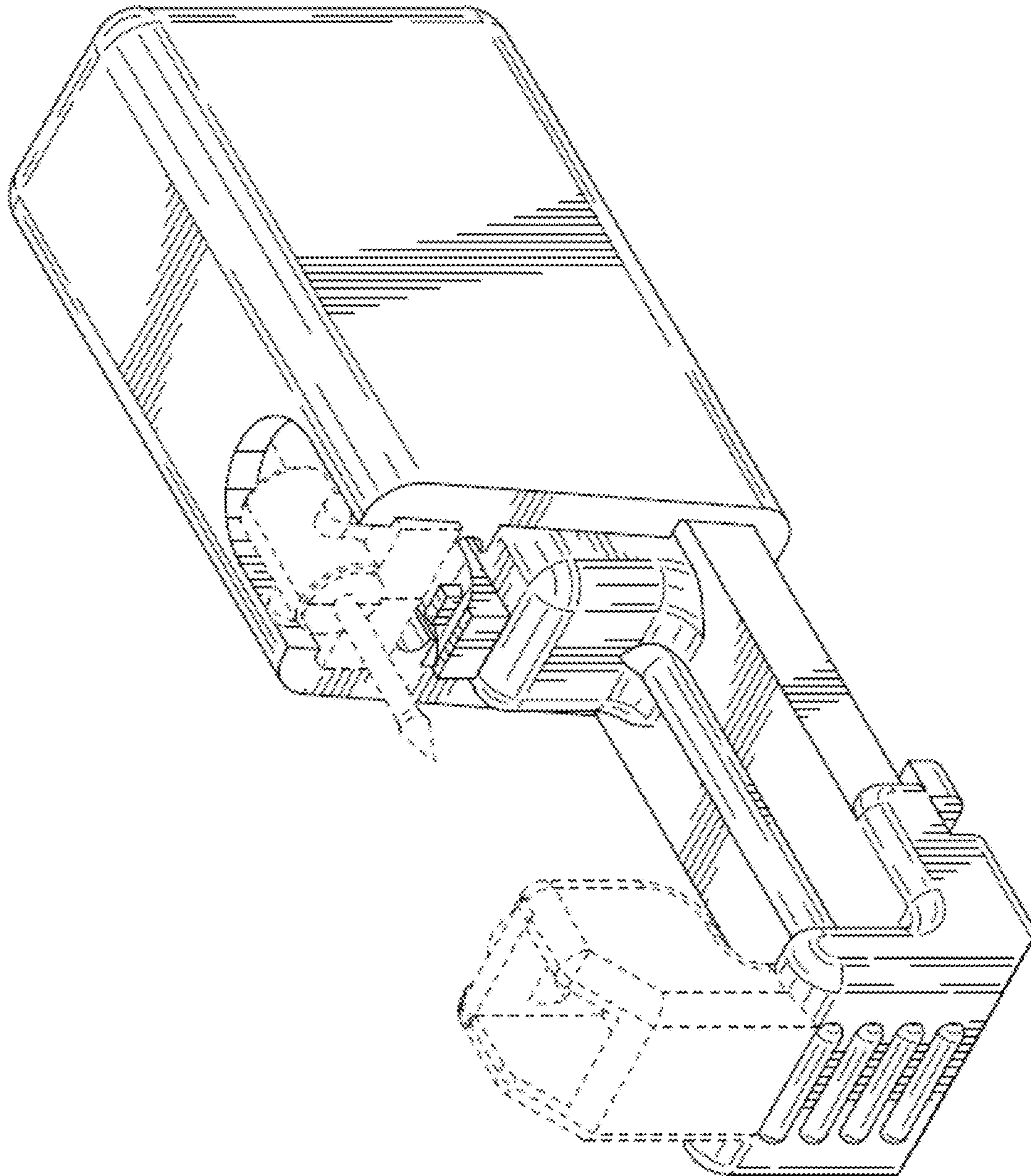


FIG. 1

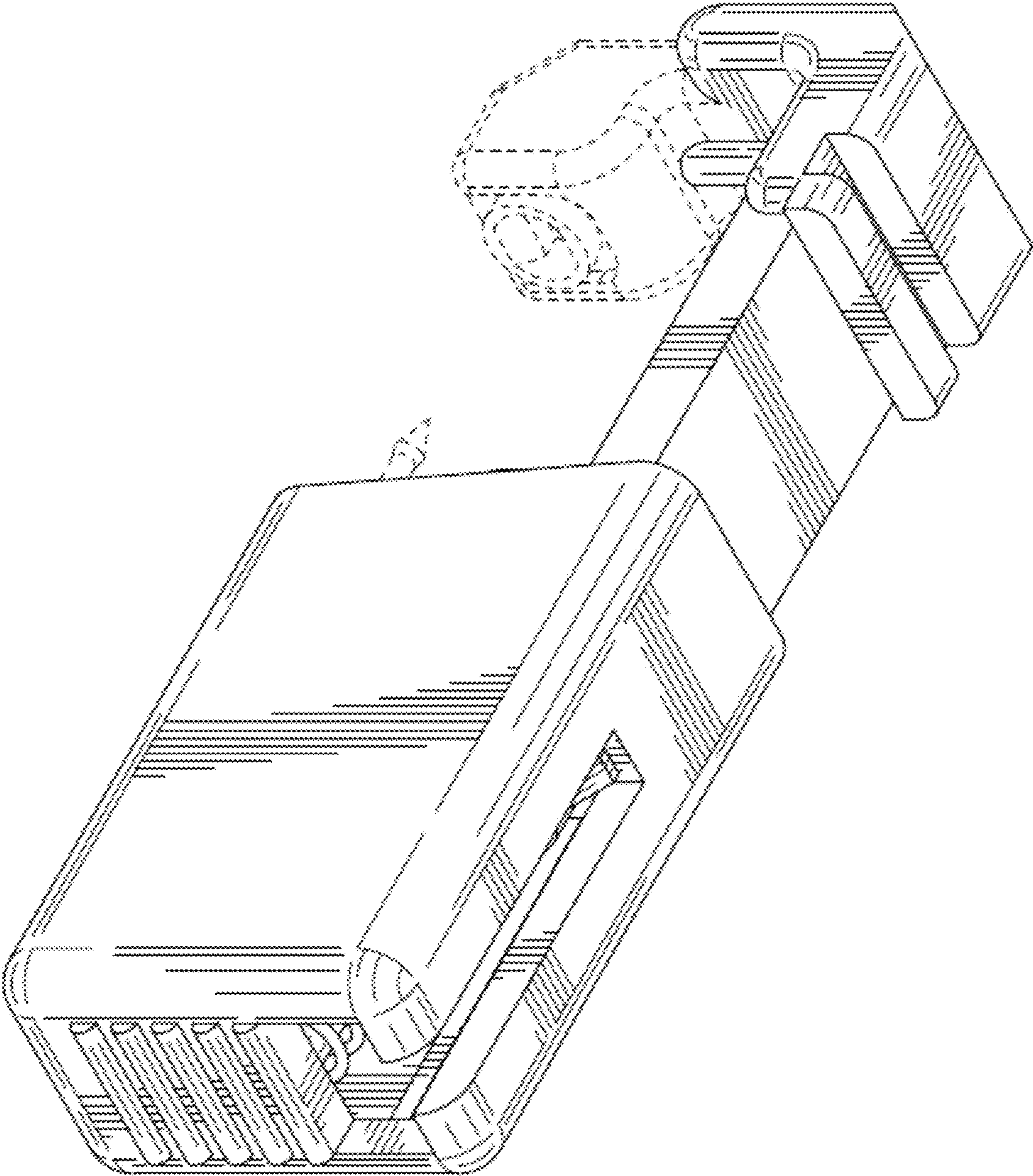


FIG. 2

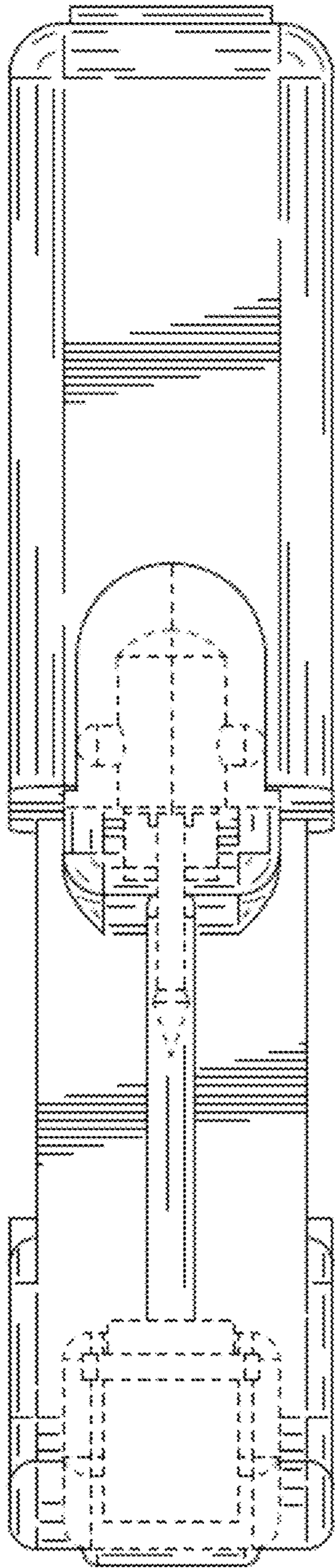


FIG. 7

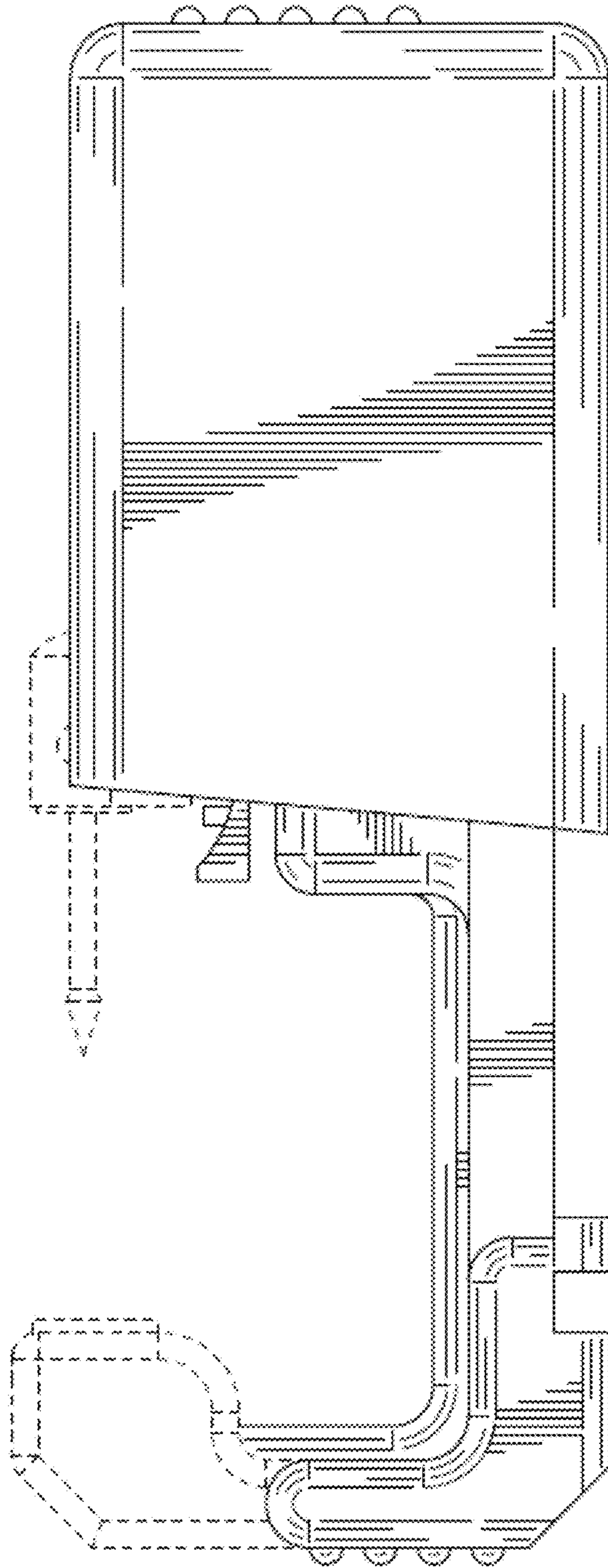


FIG. 3

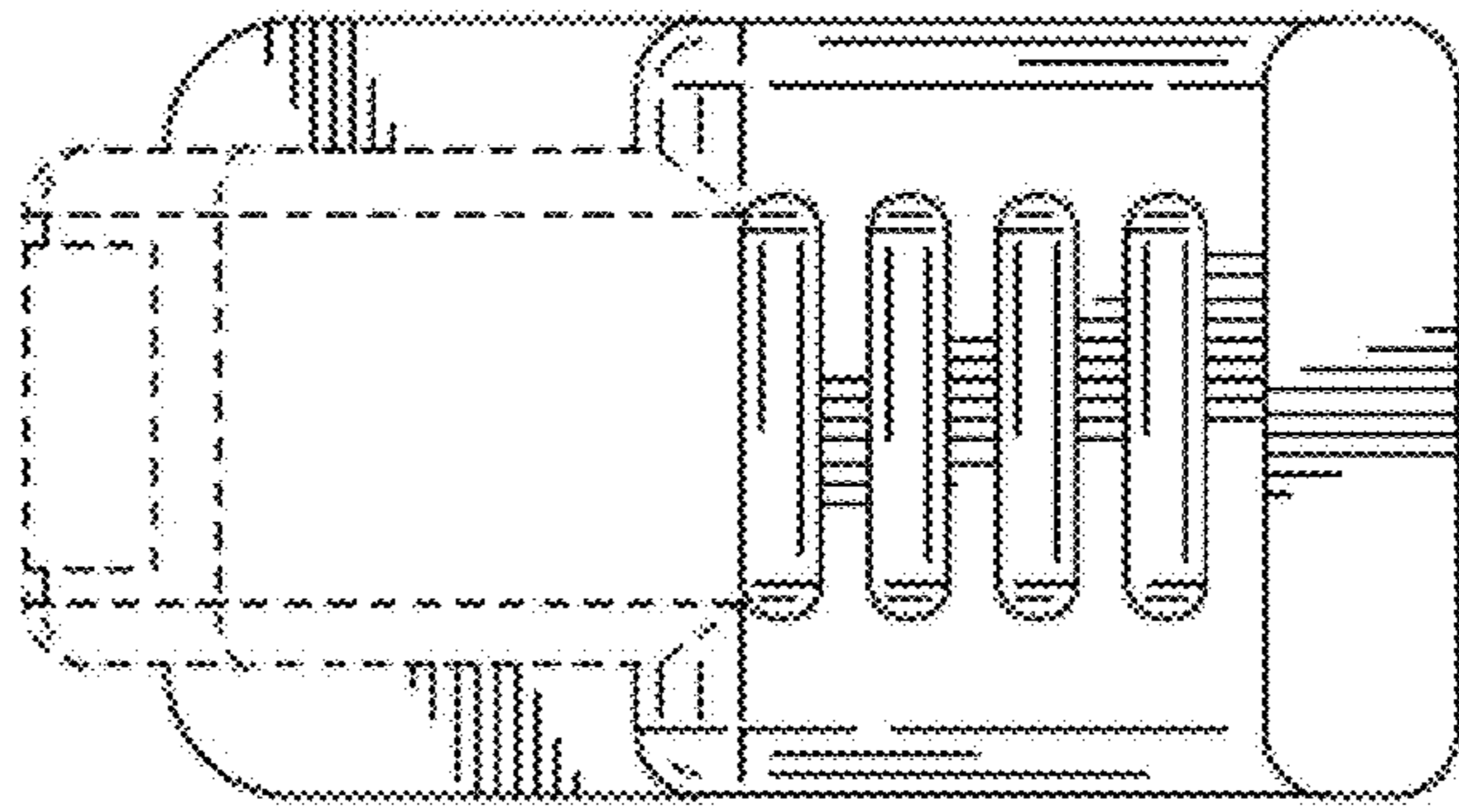


FIG. 6

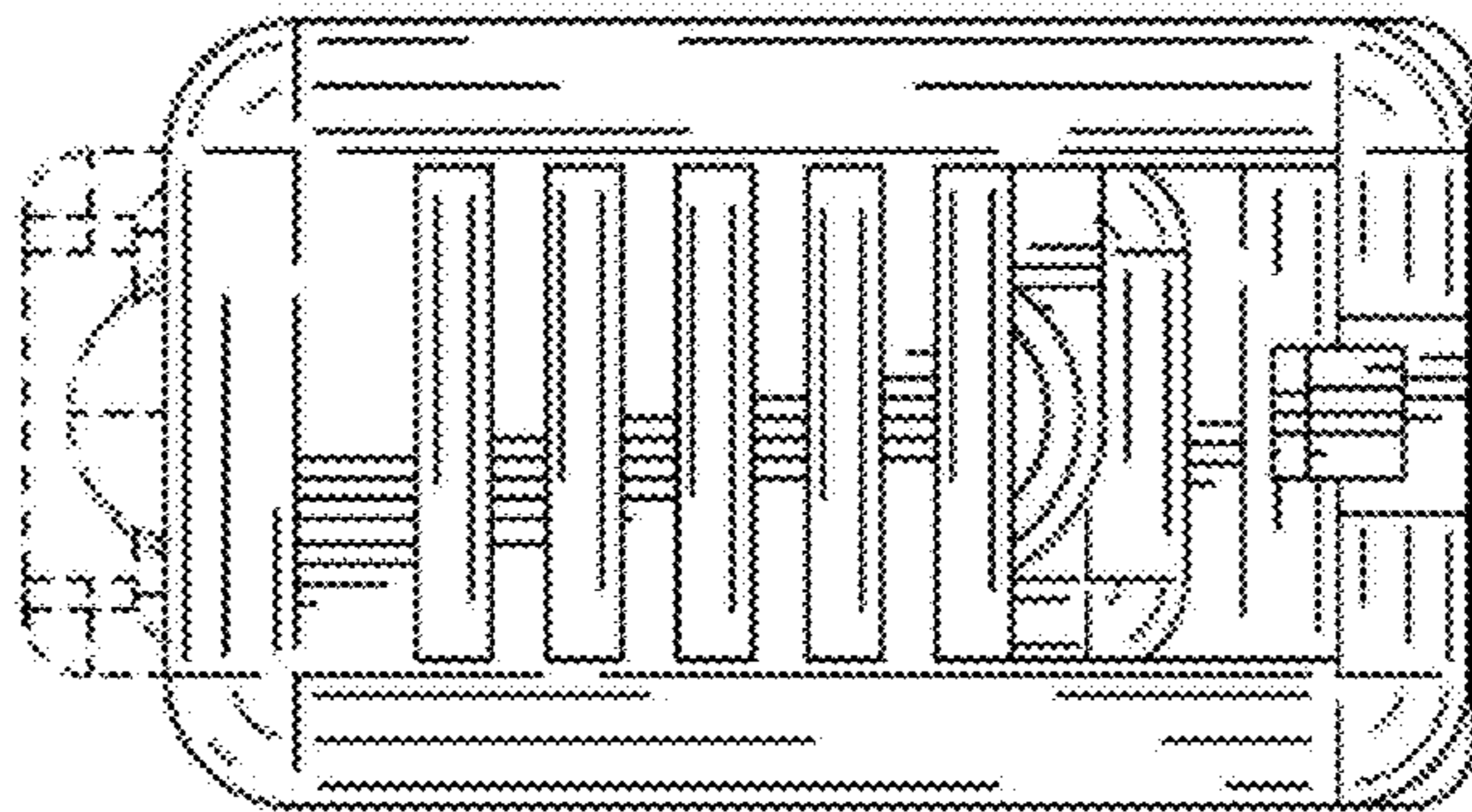


FIG. 4

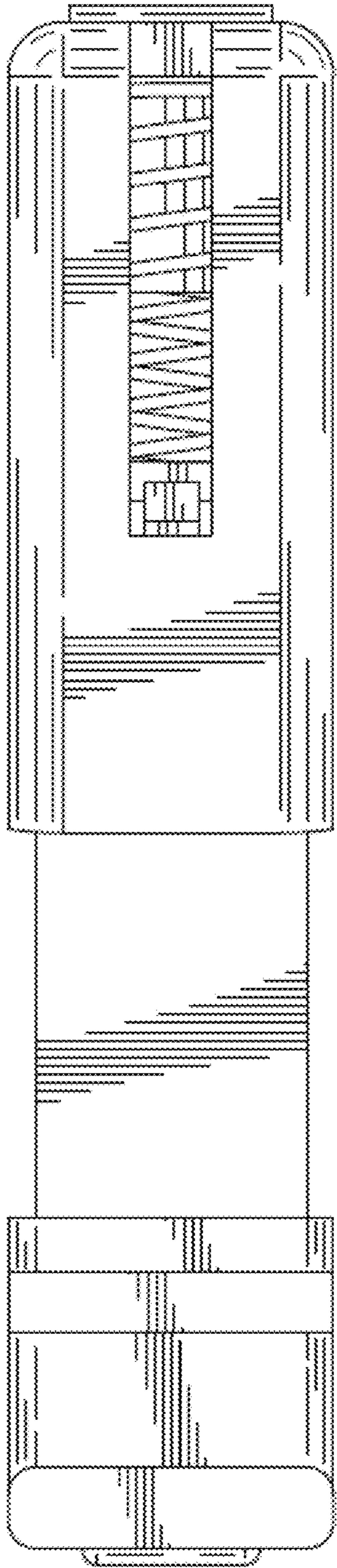


FIG. 8

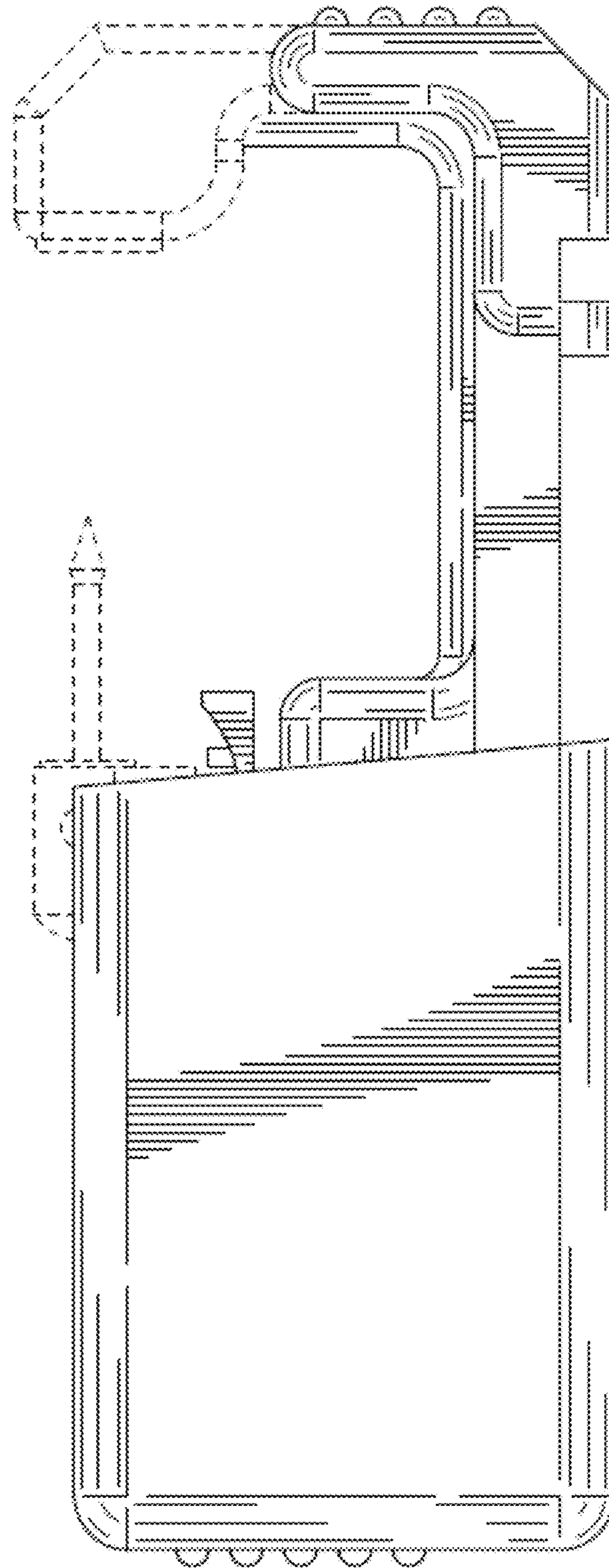


FIG. 5