



US00D977640S

(12) **United States Design Patent**
Ritz et al.

(10) **Patent No.:** **US D977,640 S**

(45) **Date of Patent:** **** Feb. 7, 2023**

(54) **STAPLE INSTRUMENT**

(71) Applicant: **Pressio Inc.**, San Antonio, TX (US)

(72) Inventors: **Joseph Paul Ritz**, Castroville, TX (US); **Eric Alberto Marcano**, San Antonio, TX (US); **Daniel Paul Leas**, Huntersville, NC (US)

(73) Assignee: **Pressio, Inc.**, San Antonio, TX (US)

(**) Term: **15 Years**

(21) Appl. No.: **29/795,844**

(22) Filed: **Jun. 21, 2021**

(51) **LOC (14) Cl.** **24-02**

(52) **U.S. Cl.**
USPC **D24/145**

(58) **Field of Classification Search**
USPC D24/133, 145-147
CPC ... A61B 17/0642; A61B 17/076; A61B 17/10;
A61B 17/128

See application file for complete search history.

(56) **References Cited**

U.S. PATENT DOCUMENTS

2,544,492	A	3/1951	Downing	
4,438,769	A	3/1984	Pratt	
D280,550	S *	9/1985	Pratt D24/145
5,031,881	A *	7/1991	Thurmston B25C 11/00 254/131
5,425,490	A *	6/1995	Goble A61B 17/0642 606/86 R
6,325,805	B1	12/2001	Ogilvie	
6,336,928	B1	1/2002	Guerin	
6,966,911	B2	11/2005	Groiso	
7,618,441	B2	11/2009	Groiso	
7,635,367	B2	12/2009	Groiso	

7,942,301	B2	5/2011	Sater	
8,021,389	B2	9/2011	Molz, IV	
8,062,297	B2	11/2011	Faillace	
8,211,109	B2	7/2012	Groiso	
8,343,194	B2	1/2013	Alfatoon	
D676,962	S *	2/2013	Cheney D24/145
8,372,075	B2	2/2013	Groiso	
8,475,493	B2	7/2013	Bender	
8,584,853	B2	11/2013	Knight	
8,721,646	B2	5/2014	Fox	
8,801,753	B2	8/2014	Bender	
8,864,764	B2	10/2014	Groiso	
8,979,927	B2	3/2015	Huntsman	
9,017,331	B2	4/2015	Fox	
9,101,349	B2	8/2015	Knight	

(Continued)

Primary Examiner — Wan Laymon

(74) *Attorney, Agent, or Firm* — Morris, Manning & Martin, LLP; Daniel E. Sineway, Esq.; Adam J. Thompson, Esq.

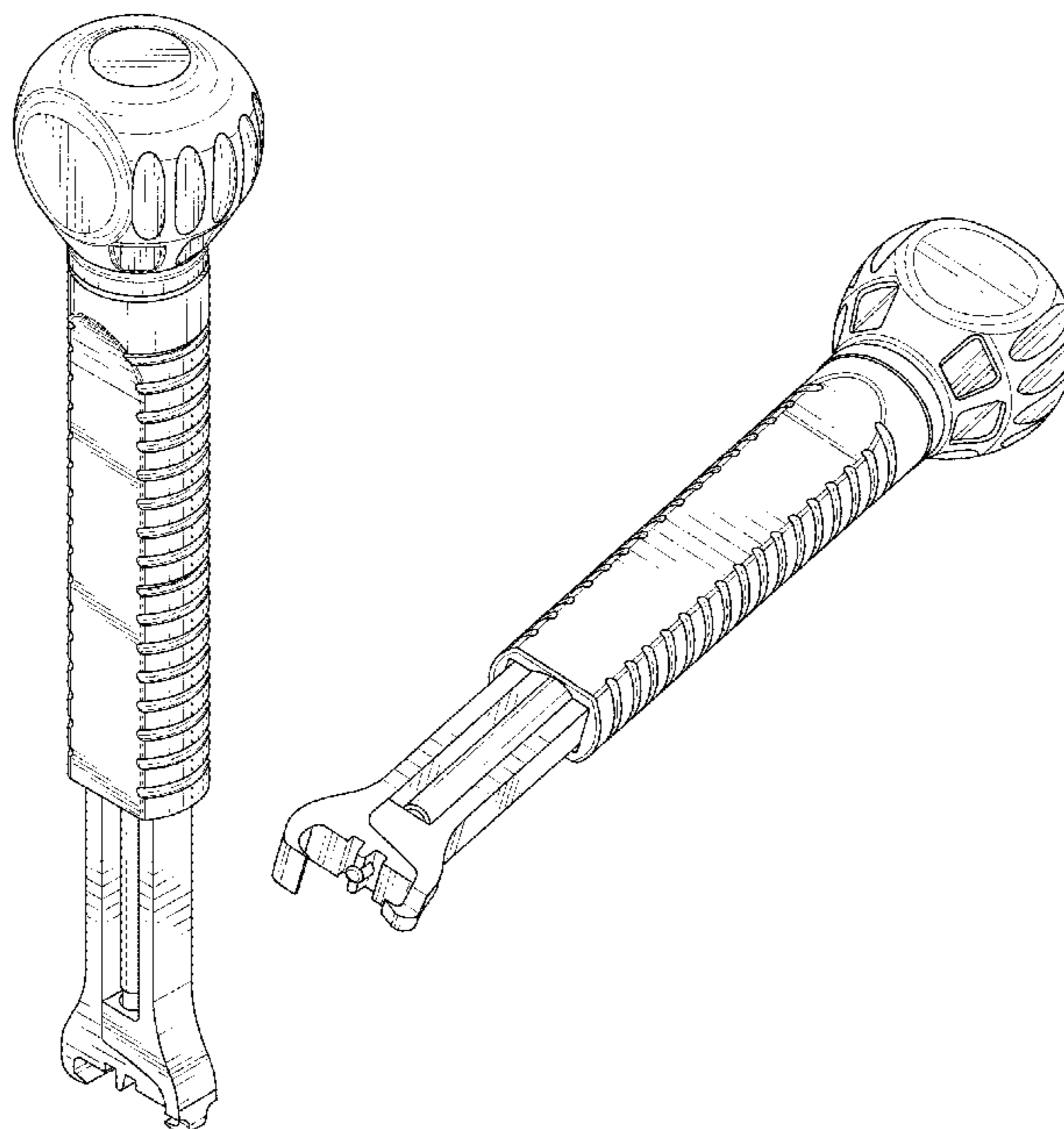
(57) **CLAIM**

The ornamental design for a staple instrument, as shown and described.

DESCRIPTION

FIG. 1 is an exemplary perspective view of a staple instrument.
 FIG. 2 is an exemplary perspective view of a staple instrument.
 FIG. 3 is an exemplary perspective view of a staple instrument.
 FIG. 4 is an exemplary left side view of a staple instrument.
 FIG. 5 is an exemplary right side view of a staple instrument.
 FIG. 6 is an exemplary front view of a staple instrument.
 FIG. 7 is an exemplary back view of a staple instrument.
 FIG. 8 is an exemplary top view of a staple instrument; and,
 FIG. 9 is an exemplary bottom view of a staple instrument.

1 Claim, 8 Drawing Sheets



(56)

References Cited

U.S. PATENT DOCUMENTS

9,204,932	B2	12/2015	Knight	2009/0131984	A1	5/2009	Linares
9,295,463	B2	3/2016	Viola	2010/0063506	A1	3/2010	Fox
9,339,268	B2	5/2016	Fox	2011/0022099	A1	1/2011	Ashman
9,451,955	B2	9/2016	Fox	2011/0118842	A1	5/2011	Bernard
9,451,957	B2 *	9/2016	Fox	2011/0297732	A1	12/2011	Molz, IV
9,468,436	B2	10/2016	Groiso	2013/0206815	A1	8/2013	Fox
9,649,108	B2	5/2017	Weinstein	2013/0231667	A1	9/2013	Taylor
9,700,362	B2	7/2017	Knight	2014/0214037	A1	7/2014	Mayer
9,743,926	B2	8/2017	Fox	2014/0276830	A1	9/2014	Cheney
9,839,458	B2	12/2017	Bouduban	2014/0276881	A1	9/2014	Taylor
9,855,036	B2	1/2018	Palmer	2014/0309639	A1	10/2014	Averous
10,010,320	B2	7/2018	Wahl	2014/0358187	A1	12/2014	Taber
10,058,366	B2	8/2018	Bouduban	2015/0230839	A1	8/2015	Riccione
10,117,647	B2	11/2018	Cheney	2015/0313592	A1	11/2015	Coillard-Lavirotte
10,285,743	B2	5/2019	Bouduban	2016/0135808	A1	5/2016	Anderson
10,368,860	B2	8/2019	Nering	2016/0235460	A1 *	8/2016	Wahl
10,512,459	B2	12/2019	Fox	2016/0287230	A1	10/2016	Hausen
D883,482	S *	5/2020	Majors	2017/0020537	A1	1/2017	Tuten
10,779,816	B2	9/2020	Goldstein	2017/0209193	A1	7/2017	Hartdegen
10,820,902	B2	11/2020	Cheney	2018/0008263	A1	1/2018	Goldstein
10,842,487	B2	11/2020	Ritz	2018/0071001	A1	3/2018	Mciff
10,918,484	B2	2/2021	Ellington	2018/0271521	A1 *	9/2018	Wahl
10,987,101	B2	4/2021	Ducharme	2018/0289366	A1	10/2018	Morgan
11,006,949	B2	5/2021	Daniel	2018/0289376	A1 *	10/2018	Isch
11,020,110	B1	6/2021	Blair	2018/0353172	A1	12/2018	Hartdegen
11,033,311	B2	6/2021	Mciff	2019/0105040	A1	4/2019	Gordon
11,045,190	B1	6/2021	Anakwenze	2019/0357951	A1	11/2019	Rogers
11,311,289	B1 *	4/2022	Ritz	2020/0000465	A1	1/2020	Maclure
2002/0107575	A1	8/2002	Metz-Stavenhagen	2020/0038076	A1	2/2020	Amis
2005/0021035	A1	1/2005	Groiso	2020/0060742	A1 *	2/2020	Roger
2006/0058802	A1	3/2006	Kofoed	2020/0138433	A1	5/2020	Fox
2007/0093839	A1	4/2007	Beckendorf	2020/0146668	A1	5/2020	Krumme
2007/0233187	A1	10/2007	Lobello	2020/0214701	A1	7/2020	Wahl
2007/0260249	A1 *	11/2007	Boyajian	2020/0229813	A1	7/2020	Seykora
			A61B 17/0642	2020/0281633	A1	9/2020	Rogers
			606/139	2020/0375594	A1	12/2020	Goldstein
2008/0065153	A1	3/2008	Allard	2020/0375639	A1	12/2020	Rogers
2008/0065154	A1	3/2008	Allard	2020/0383684	A1	12/2020	Weinstein
2008/0262541	A1	10/2008	Sater	2021/0068822	A1	3/2021	Wahl
2008/0269803	A1	10/2008	Sater	2021/0128145	A1	5/2021	Taylor
2008/0319443	A1	12/2008	Focht	2021/0161671	A1	6/2021	Ellington

* cited by examiner

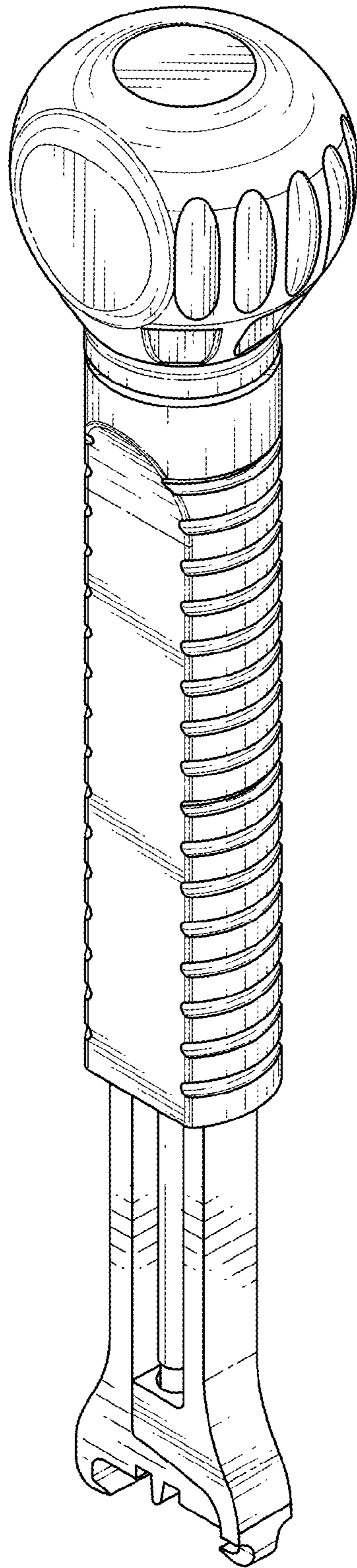


FIG. 1

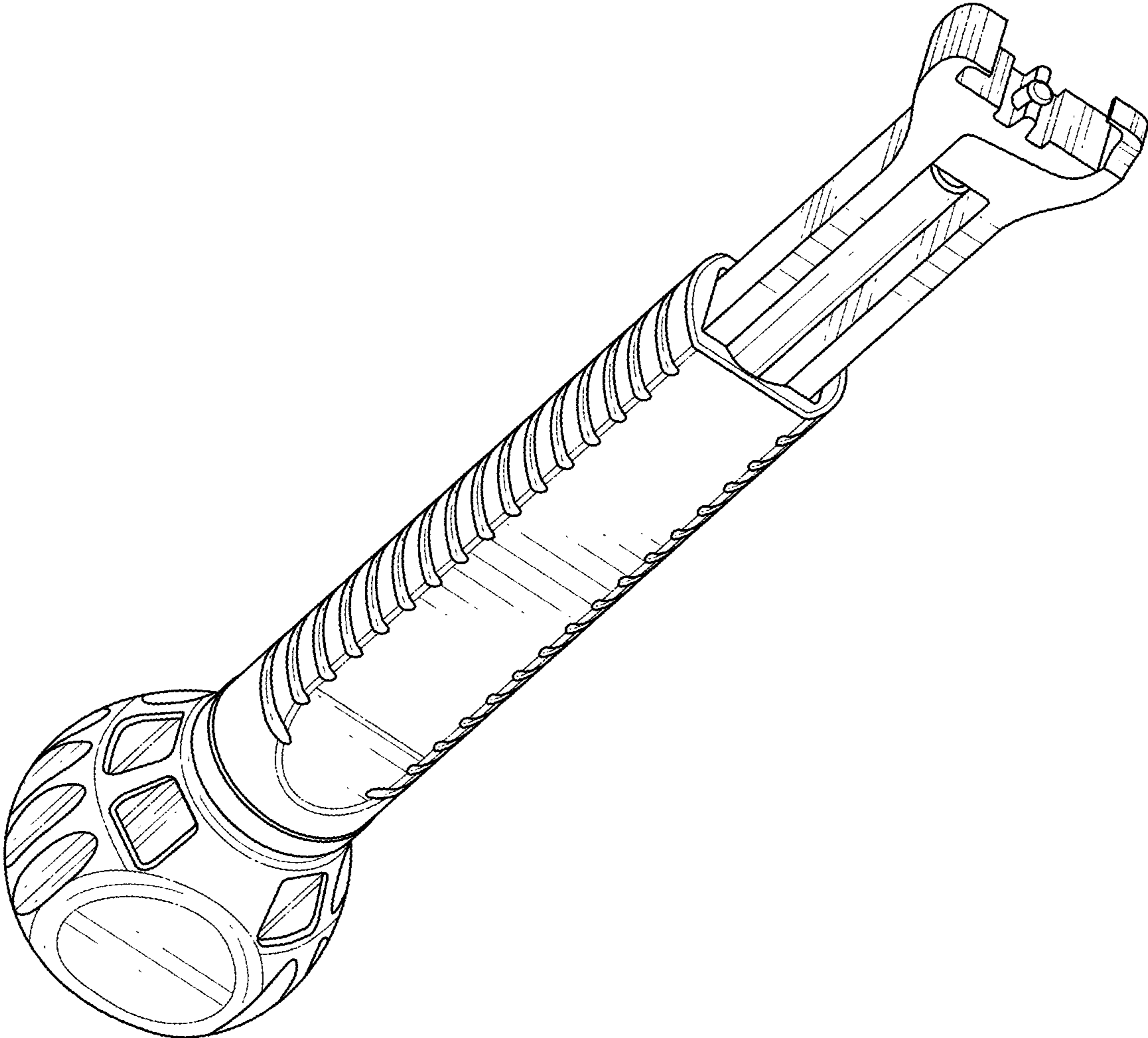


FIG. 2

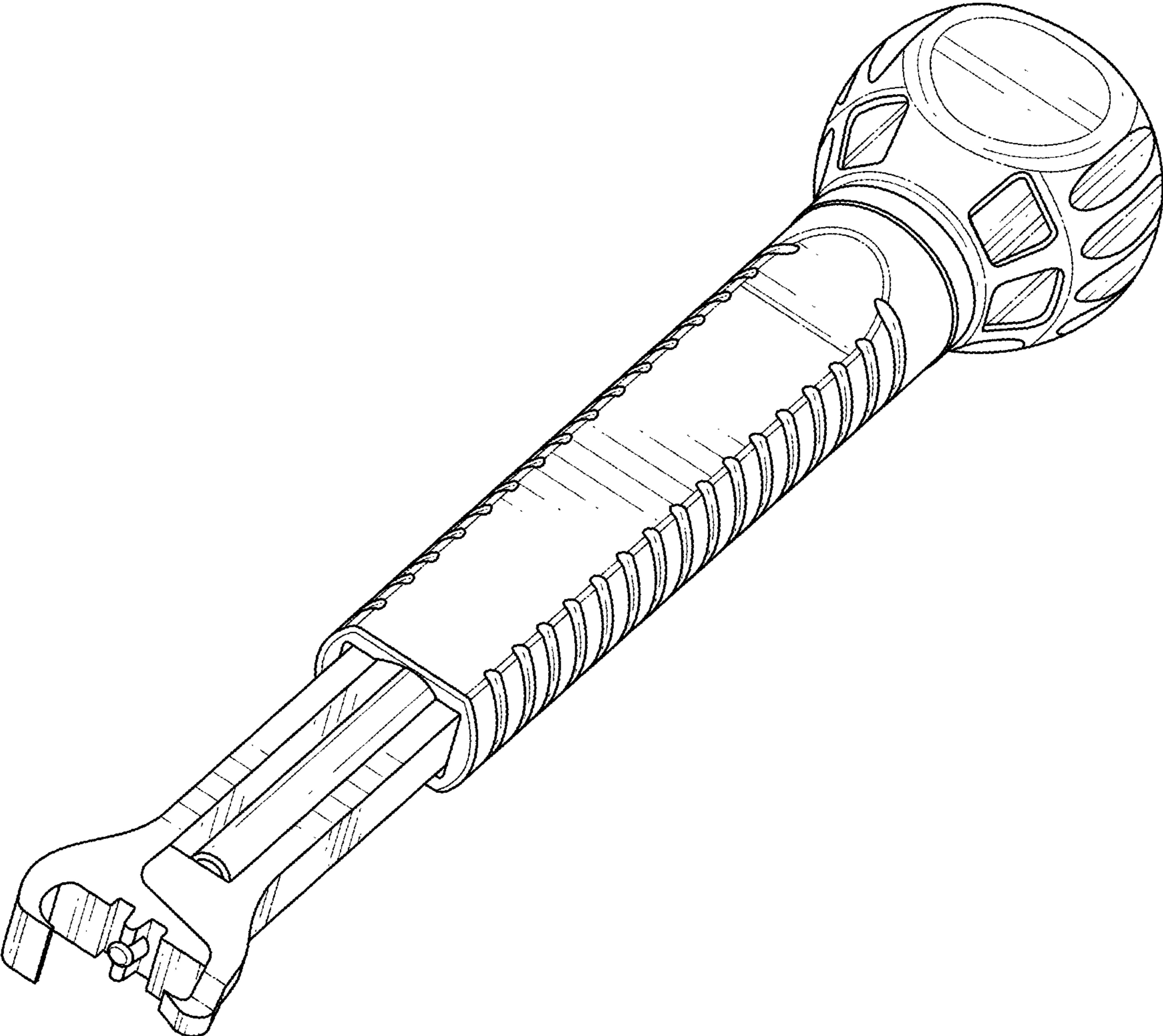


FIG. 3

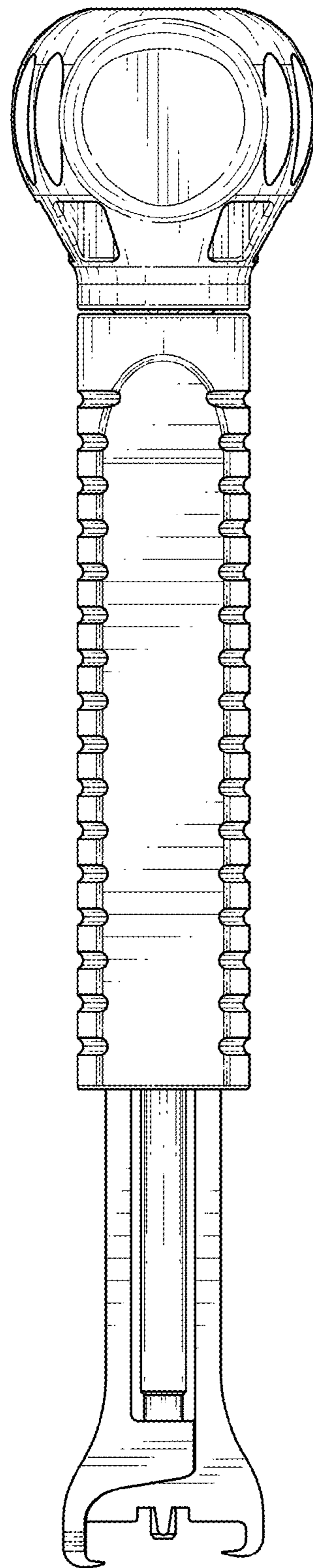


FIG. 4

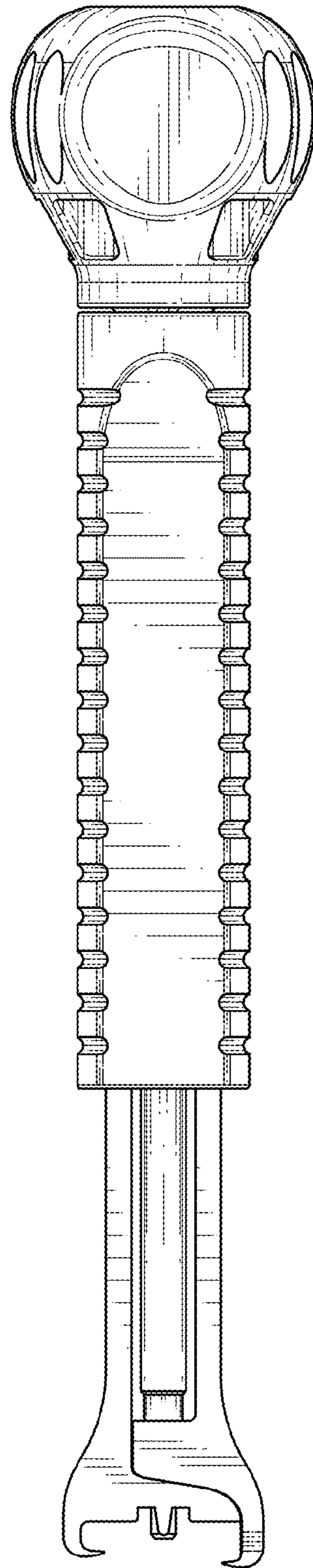


FIG. 5

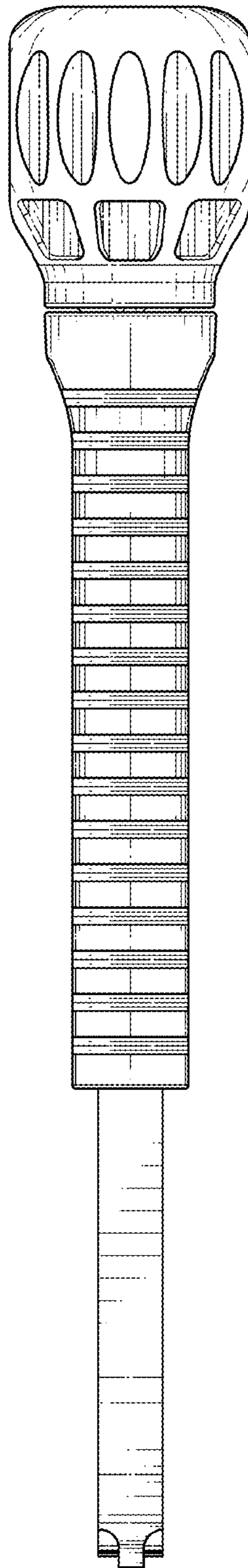


FIG. 6

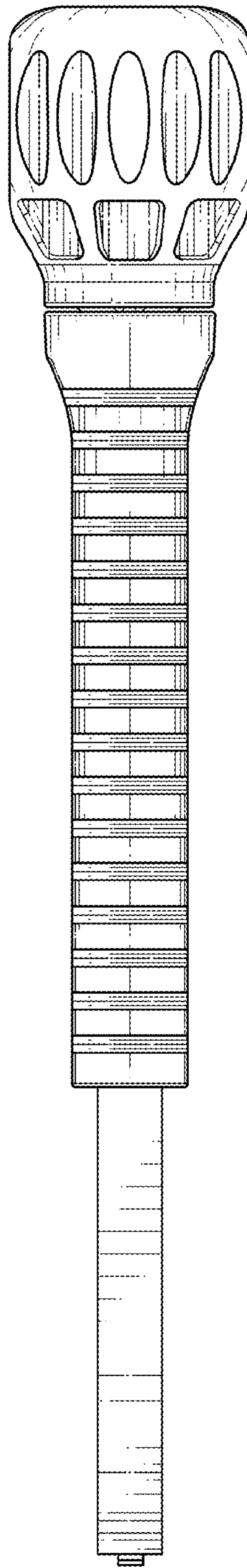


FIG. 7

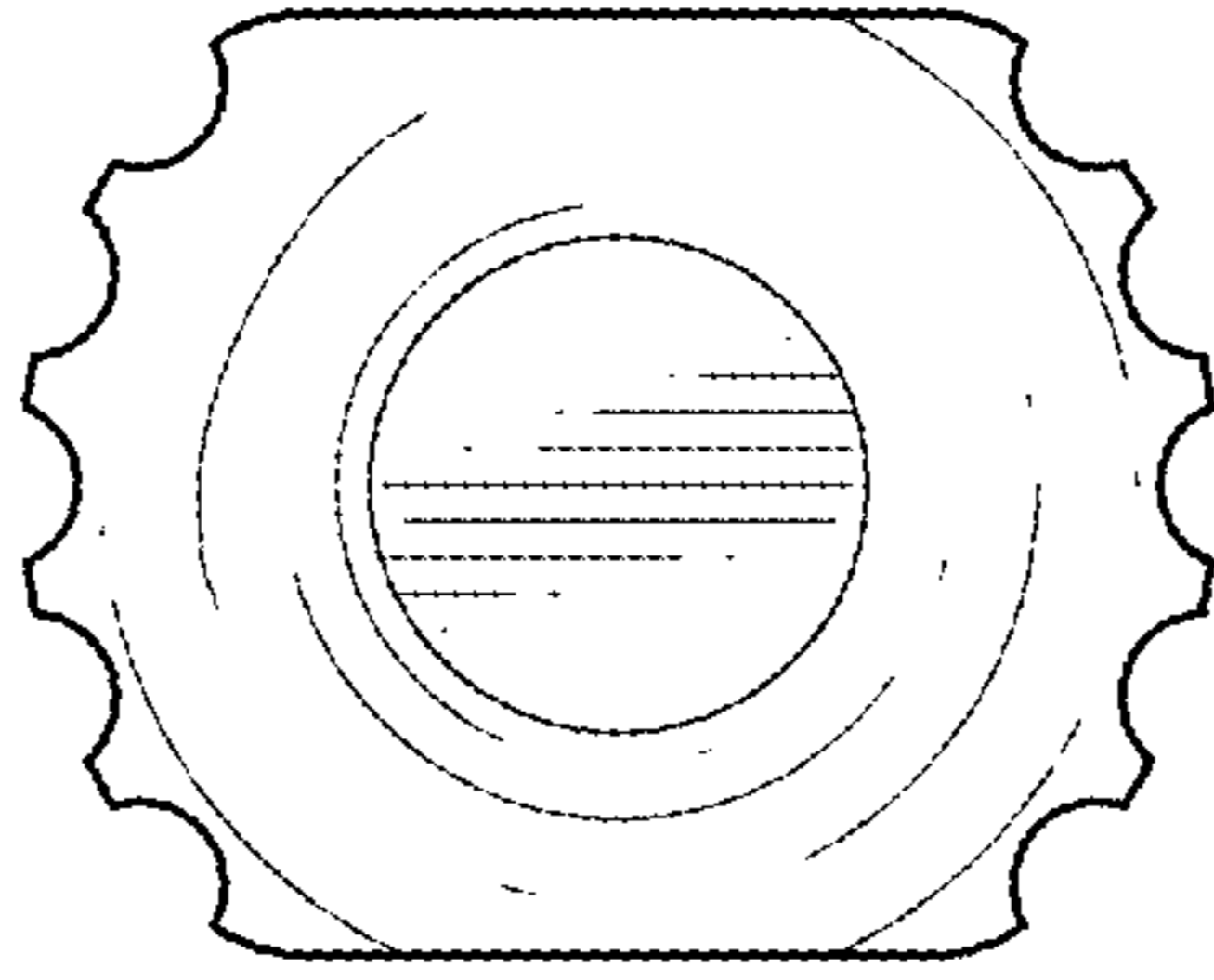


FIG. 8

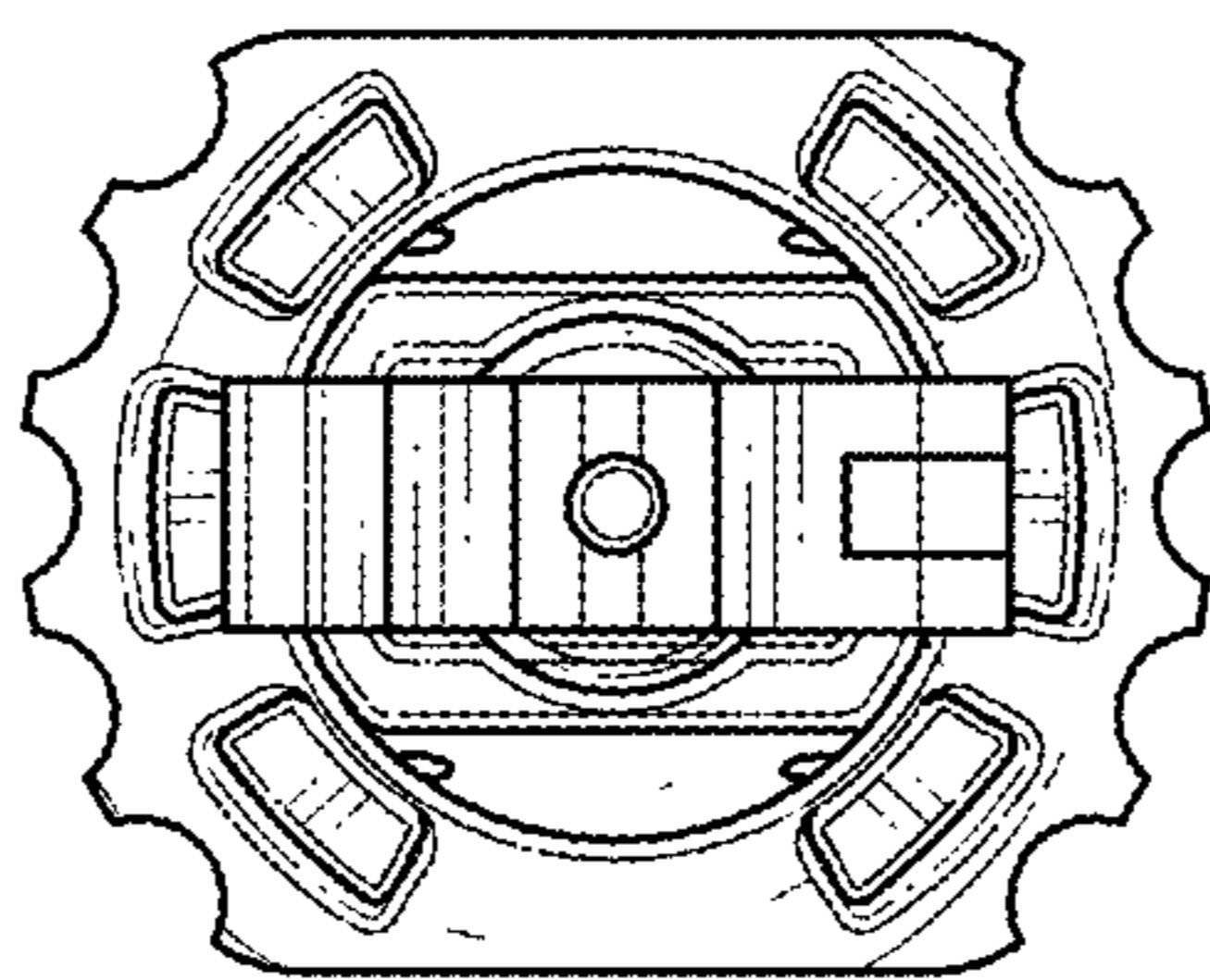


FIG. 9