



US00D977639S

(12) **United States Design Patent**
O’Dea et al.

(10) **Patent No.:** **US D977,639 S**

(45) **Date of Patent:** **** Feb. 7, 2023**

(54) **SUTURE**

(71) Applicant: **PALLIARE LIMITED**, Galway (IE)

(72) Inventors: **John O’Dea**, Galway (IE); **Hilary Elizabeth Barrett**, Limerick (IE); **Robin Harold Kennedy**, Harrow (GB); **Martin James Hamilton Bruggemann**, Mountrath (IE); **Paul Maurice Cremin**, Dublin (IE)

(73) Assignee: **Palliare Limited**, Galway (IE)

(**) Term: **15 Years**

(21) Appl. No.: **29/782,877**

(22) Filed: **May 10, 2021**

(30) **Foreign Application Priority Data**

Nov. 20, 2020 (EM) 008277420

(51) **LOC (14) Cl.** **24-02**

(52) **U.S. Cl.**
USPC **D24/145**

(58) **Field of Classification Search**
USPC D24/145, 127
CPC A61B 17/0401; A61B 17/0485; A61B 17/0466; A61B 17/0487; A61B 17/06166; A61B 2017/0404; A61B 2017/0459
See application file for complete search history.

(56) **References Cited**

U.S. PATENT DOCUMENTS

- 5,312,642 A * 5/1994 Chesterfield A61B 17/06166 427/415
- 8,623,051 B2 * 1/2014 Bojarski A61B 17/0487 606/232
- 8,702,753 B2 * 4/2014 Mikkaichi A61B 17/0487 606/232
- 10,675,015 B2 * 6/2020 Guo A61B 17/0401

- D894,388 S * 8/2020 Alladu D24/145
- D909,579 S * 2/2021 Alladu D24/145
- D927,688 S * 8/2021 Medoff A61B 17/0466 D24/145
- 11,382,612 B1 * 7/2022 Zenz-Olson A61B 17/0487
- 11,389,154 B1 * 7/2022 Harris A61B 17/0401

(Continued)

FOREIGN PATENT DOCUMENTS

- EP 1 964 520 A2 9/2008
- WO 2009126781 A1 10/2009

OTHER PUBLICATIONS

Invitation To Pay Additional Fees and Partial International Search dated Jul. 28, 2021 by the International Searching Authority in application No. PCT/IE2021/000001.

Primary Examiner — Wan Laymon

(74) *Attorney, Agent, or Firm* — Sughrue Mion, PLLC

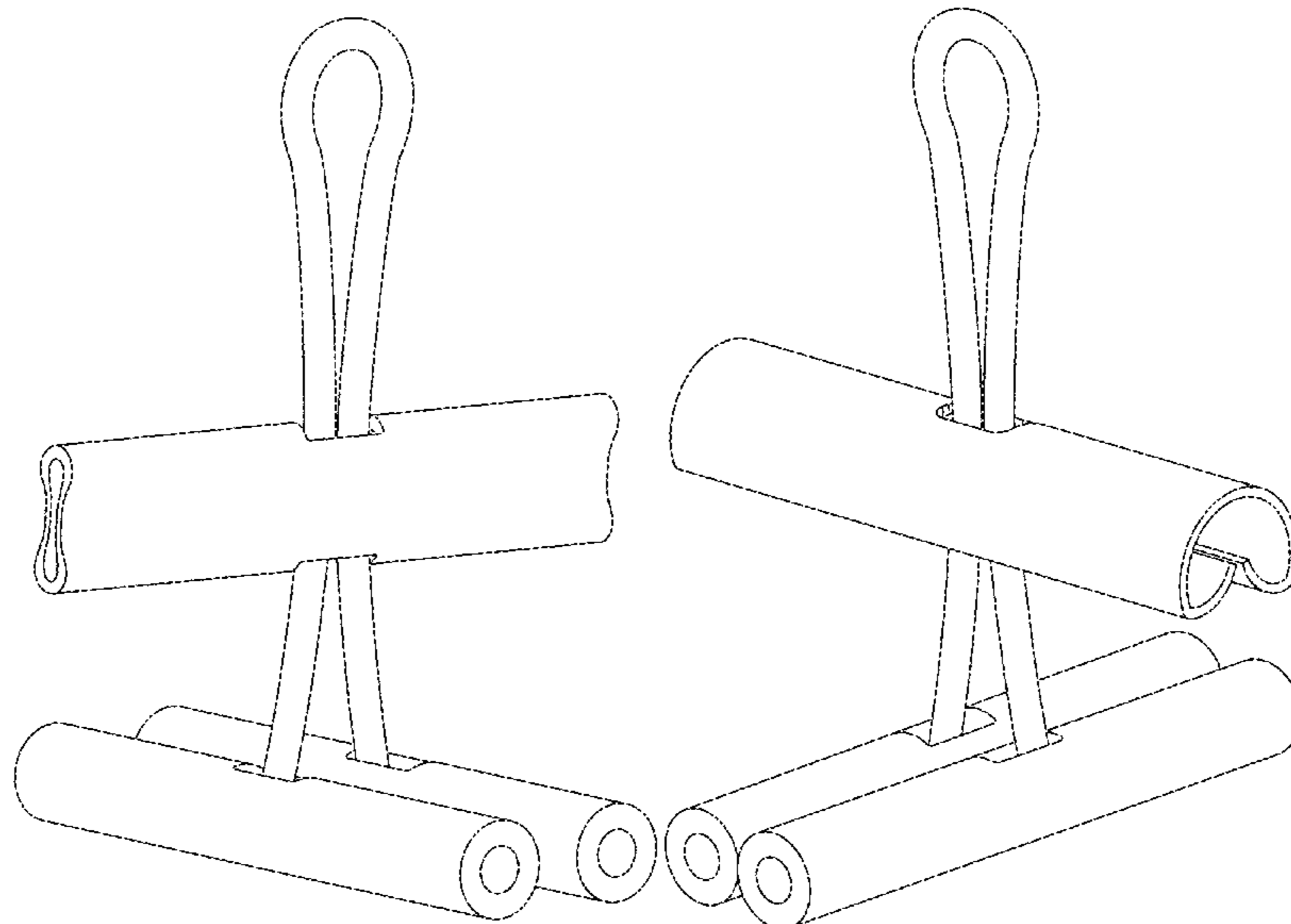
(57) **CLAIM**

The ornamental design for a suture, as shown and described.

DESCRIPTION

FIG. 1 is a perspective view from the front, one side and one end of a suture according to the design, FIG. 2 is a front elevational view of the suture of FIG. 1, FIG. 3 is a side elevational view of the suture of FIG. 1, FIG. 4 is a top plan view of the suture of FIG. 1, FIG. 5 is an underneath plan view of the suture of FIG. 1, FIG. 6 is a perspective view from the front, one side and one end of a suture according to another embodiment of the design, FIG. 7 is a front elevational view of the suture of FIG. 6, FIG. 8 is a side elevational view of the suture of FIG. 6, FIG. 9 is a top plan view of the suture of FIG. 6; and, FIG. 10 is an underneath plan view of the suture of FIG. 6.

1 Claim, 10 Drawing Sheets



(56)

References Cited

U.S. PATENT DOCUMENTS

| | | | | |
|--------------|------|--------|-----------------|-------------------------|
| 2005/0137624 | A1 * | 6/2005 | Fallman | A61B 17/0487 606/213 |
| 2007/0073319 | A1 * | 3/2007 | Mikkaichi | A61B 17/0487 606/153 |
| 2008/0195148 | A1 * | 8/2008 | Cook | A61F 2/0811 606/228 |
| 2013/0053884 | A1 * | 2/2013 | Roorda | A61B 17/0487 606/232 |
| 2013/0123841 | A1 * | 5/2013 | Lyon | A61B 17/0401 606/232 |
| 2015/0094761 | A1 * | 4/2015 | Spenciner | A61B 17/0401 606/232 |

* cited by examiner

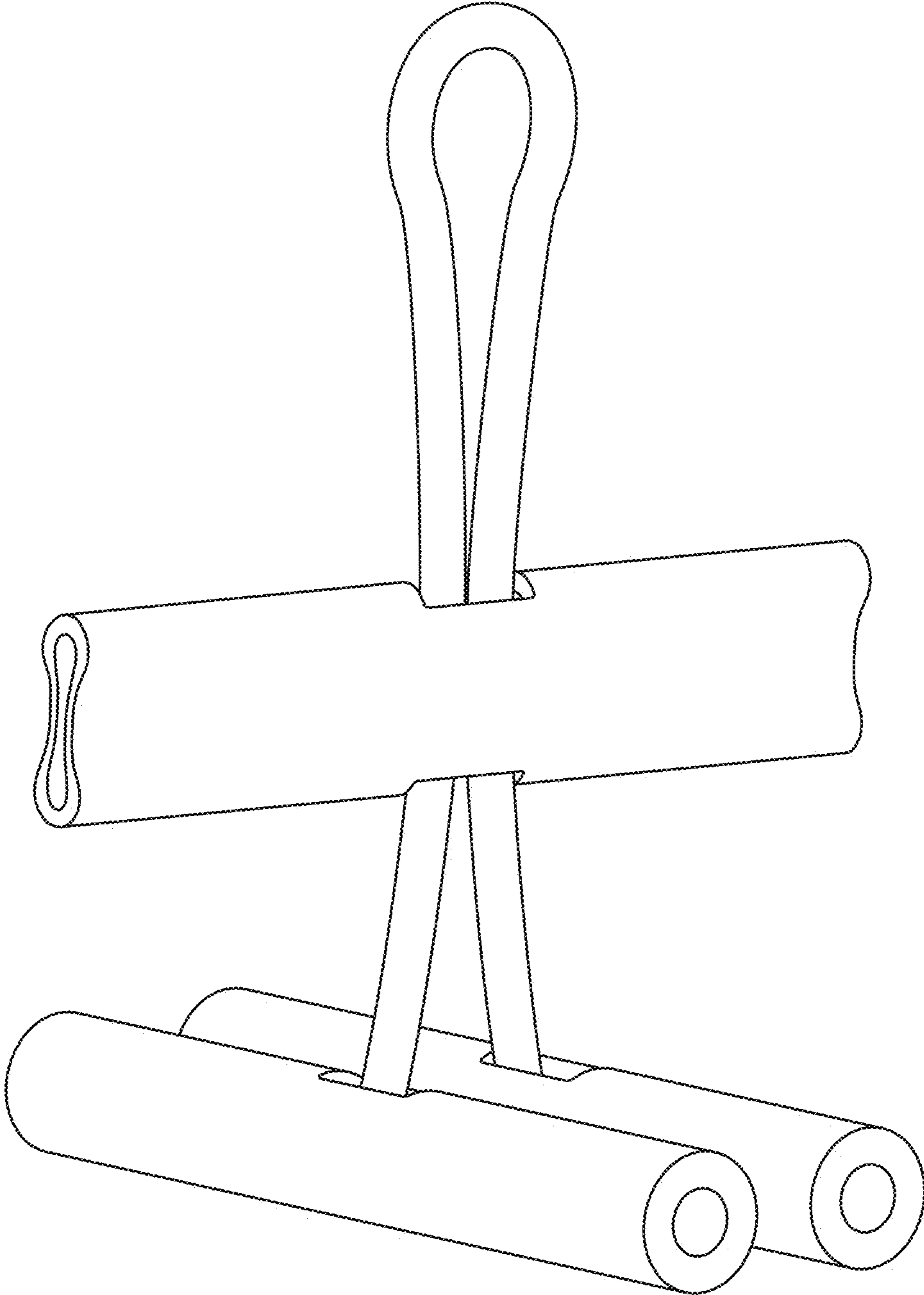


FIG. 1

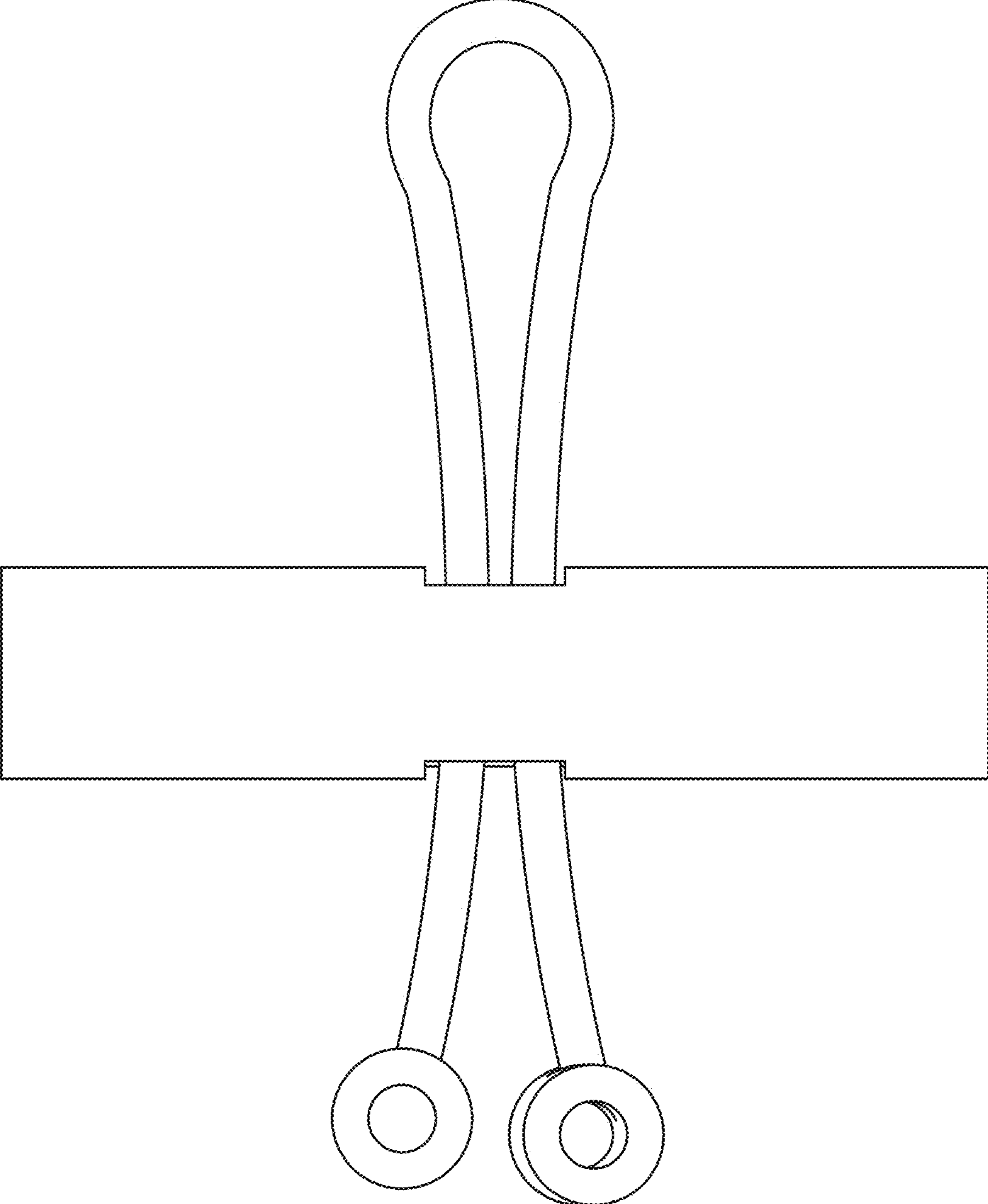


FIG. 2

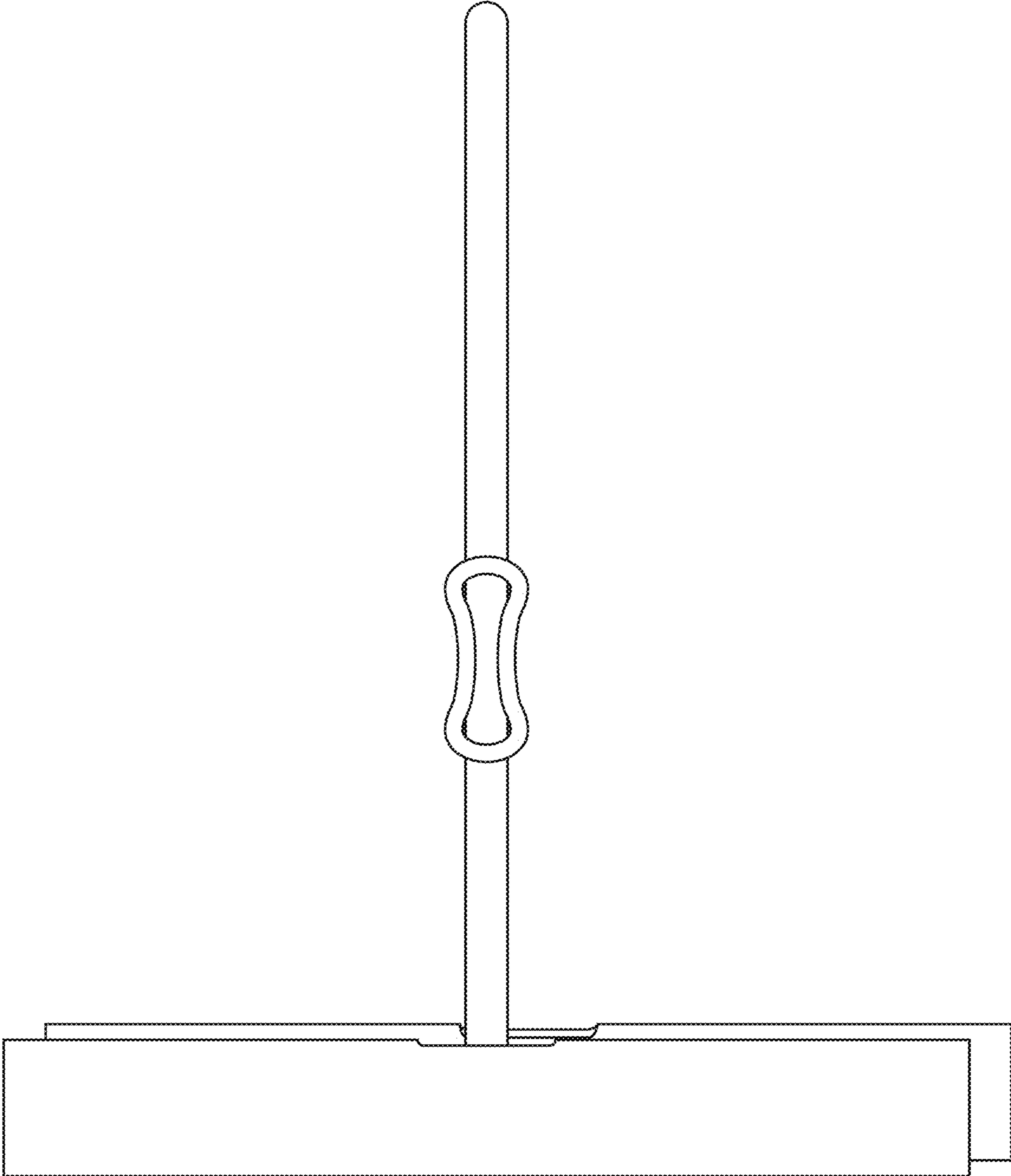


FIG. 3

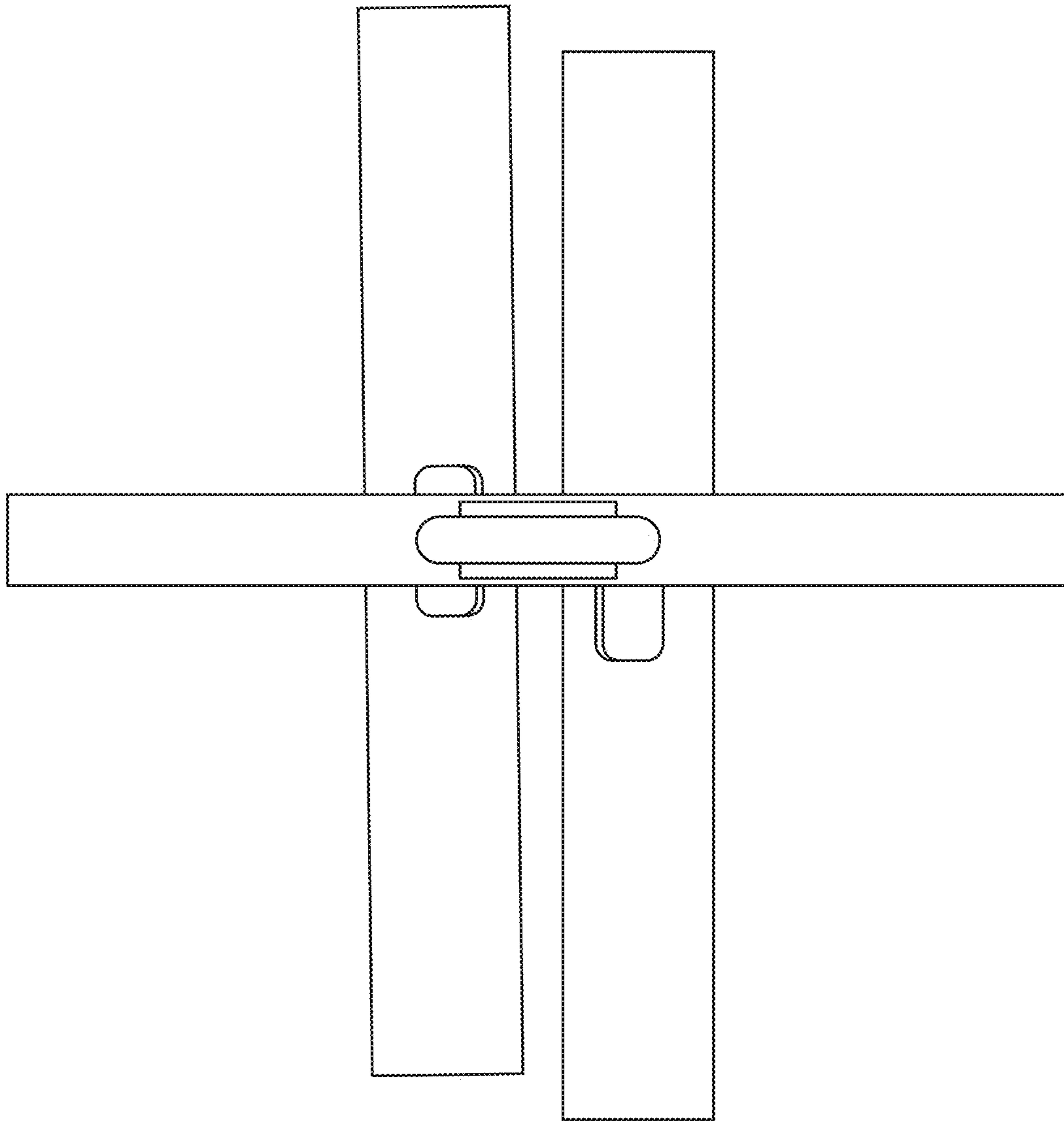


FIG. 4

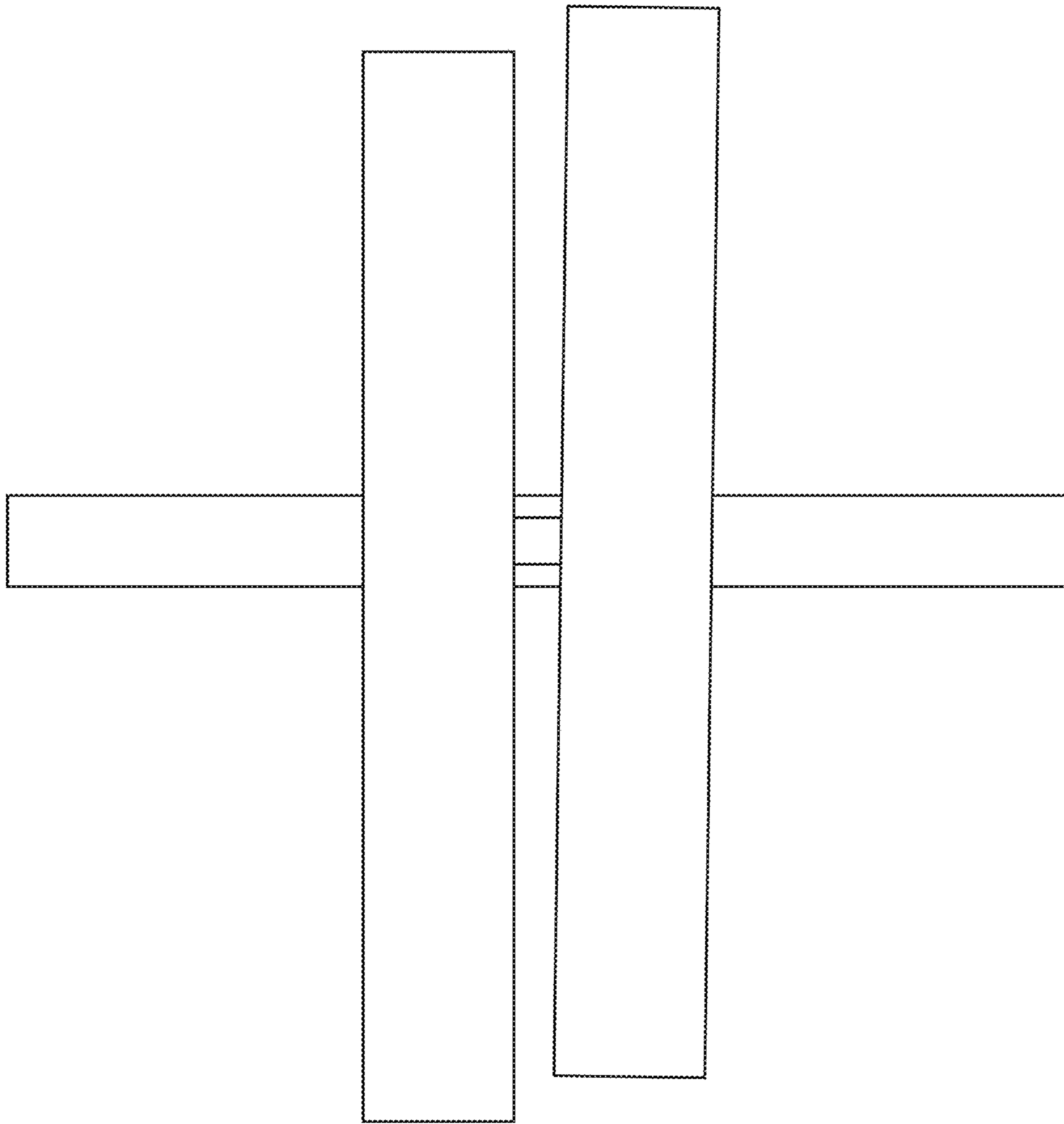


FIG. 5

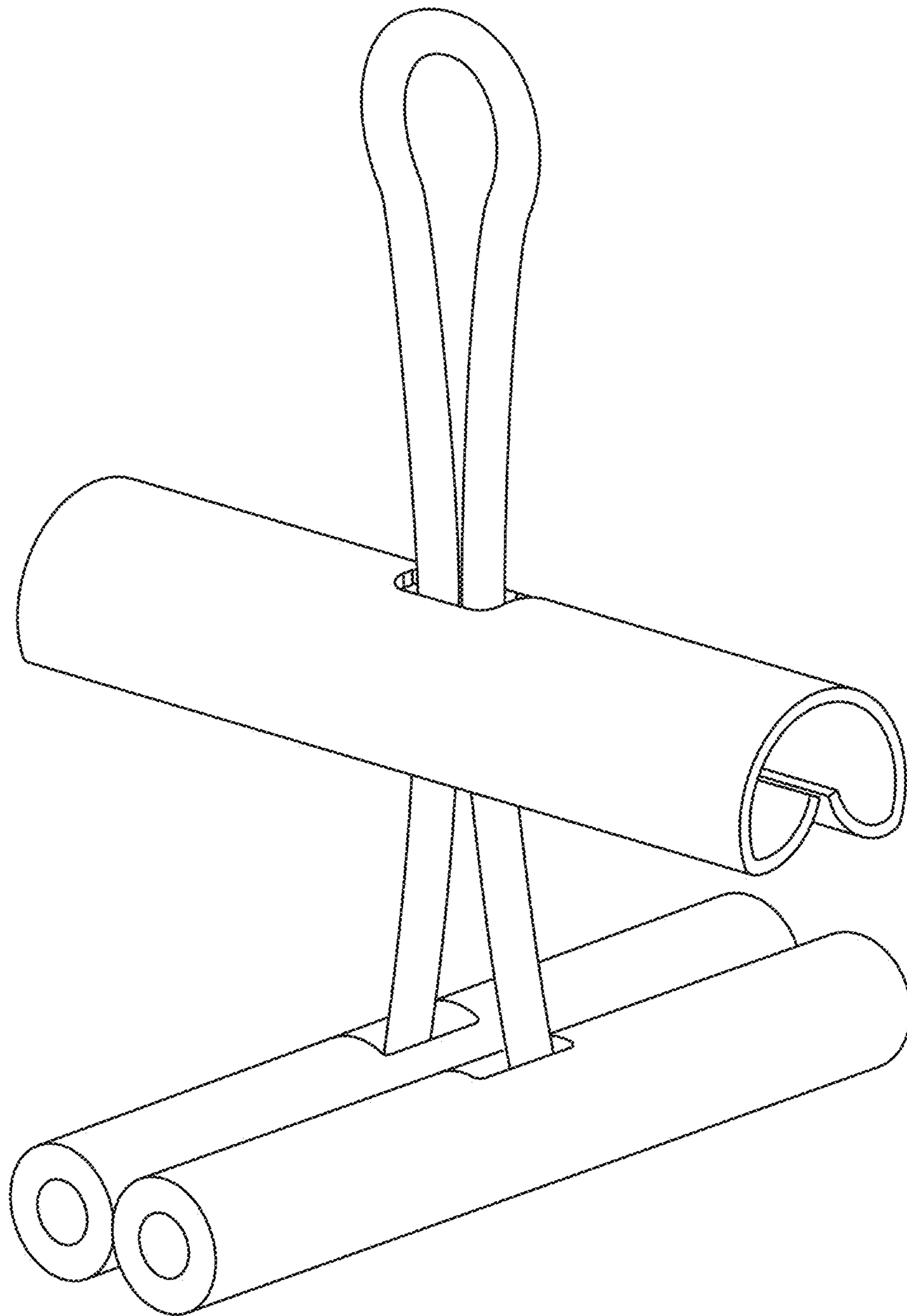


FIG. 6

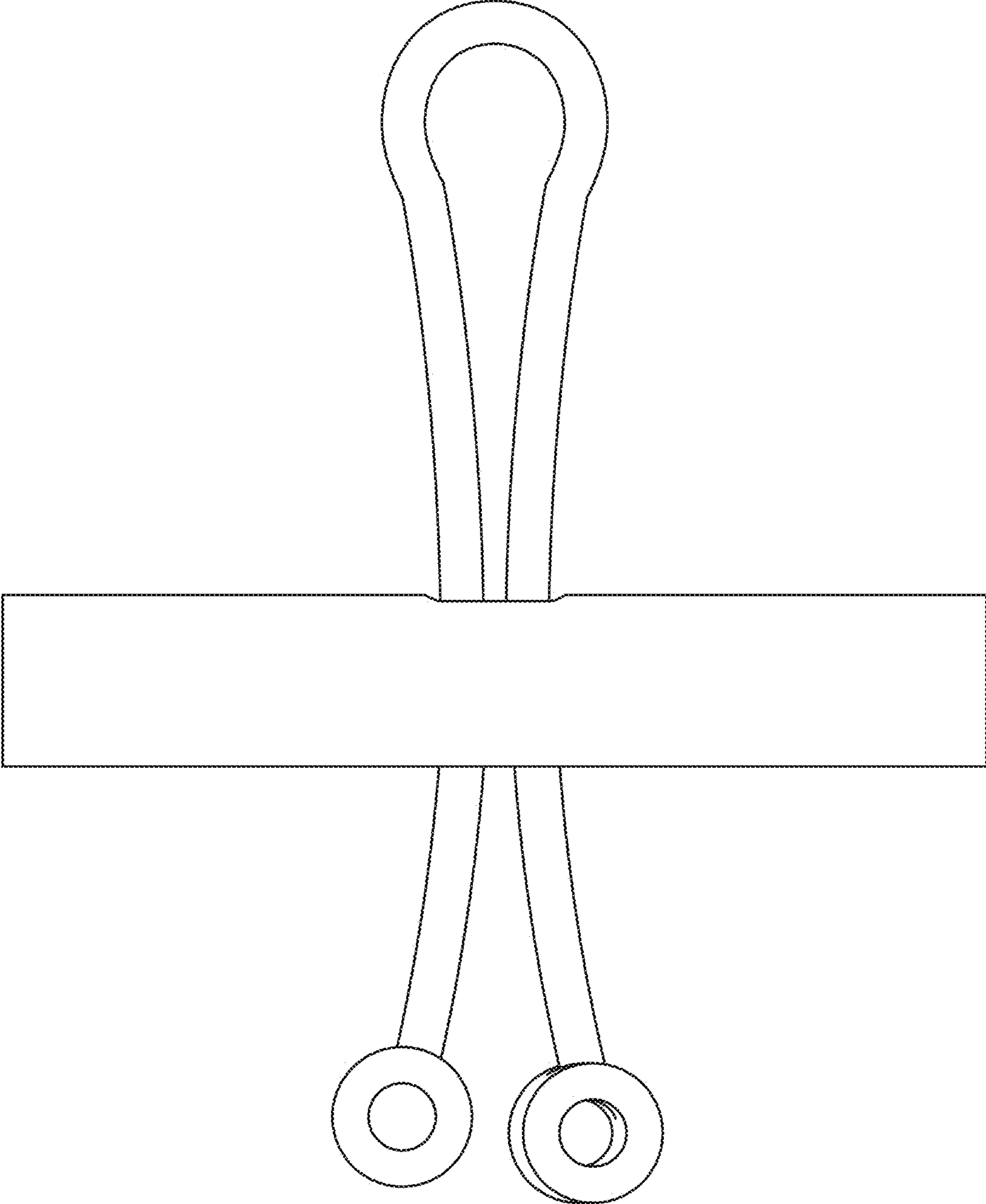


FIG. 7

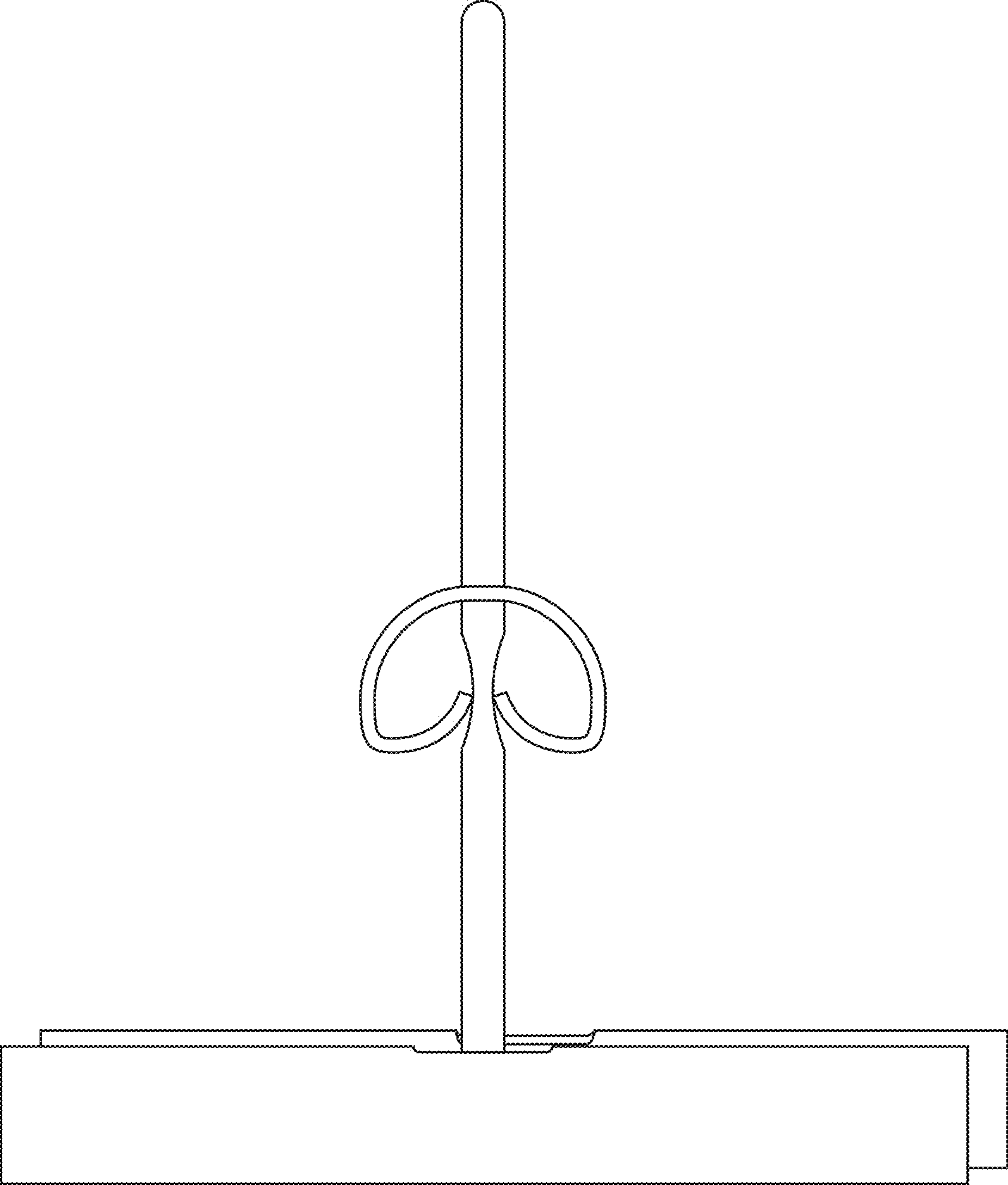


FIG. 8

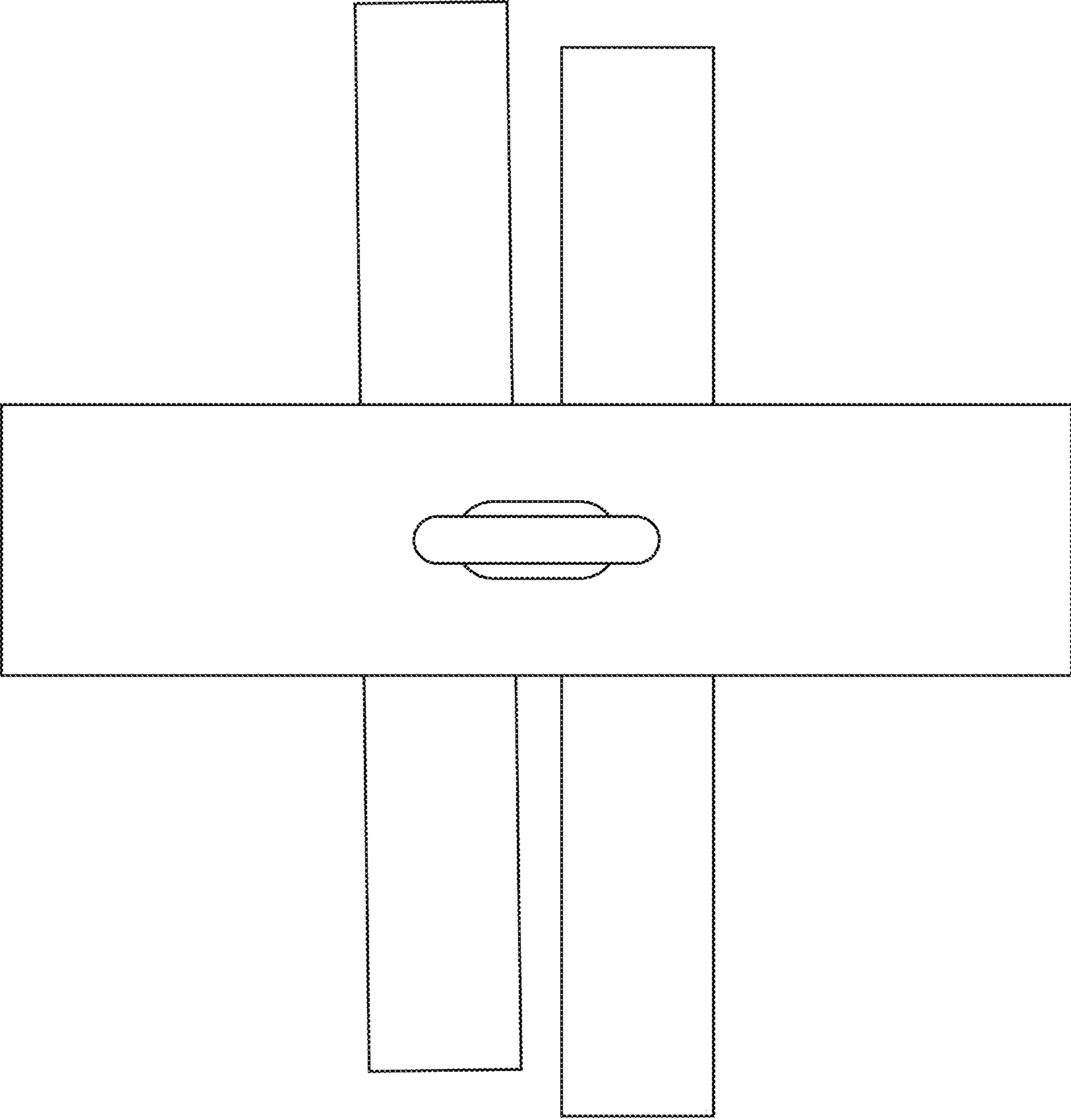


FIG. 9

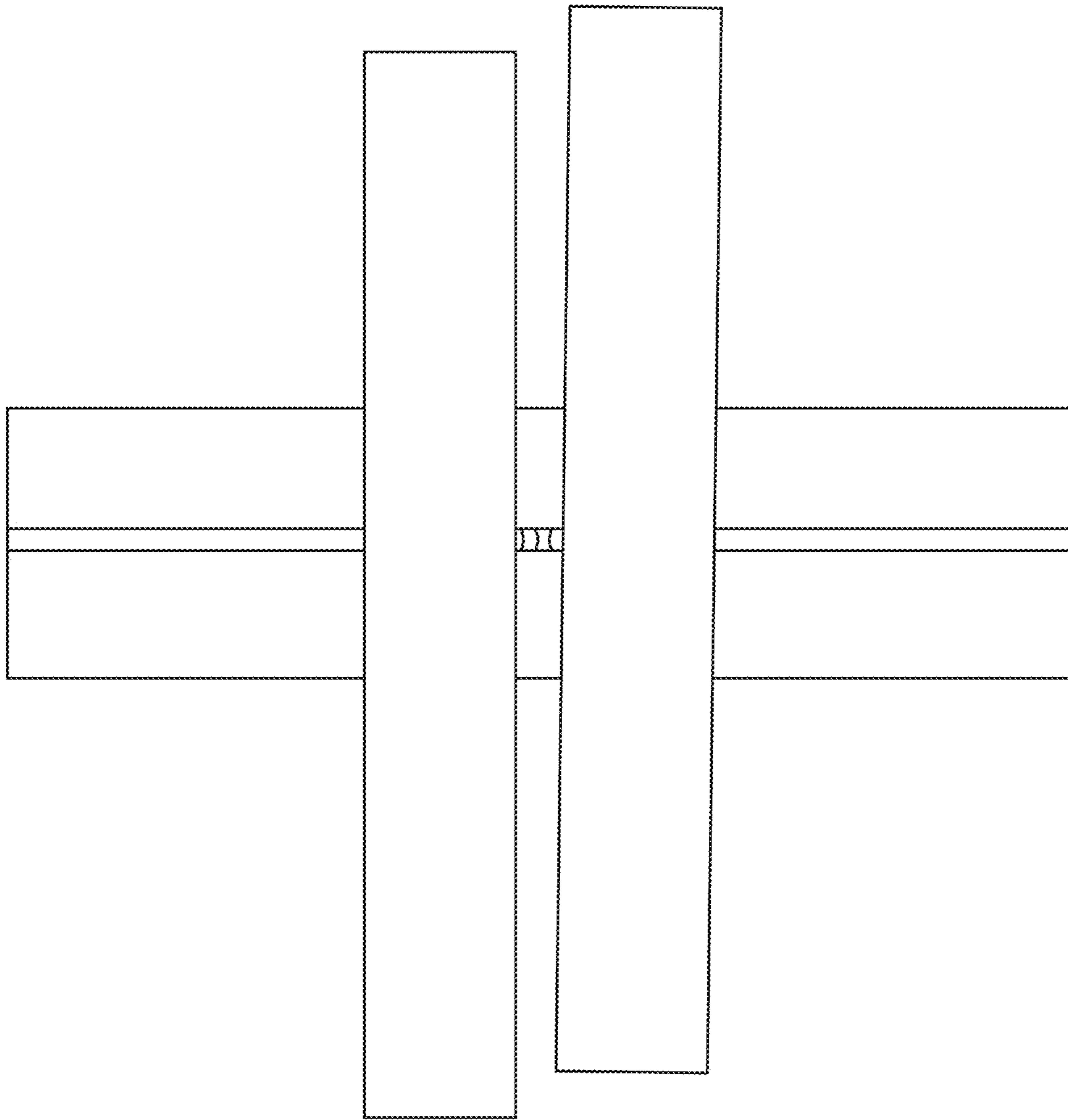


FIG. 10