



US00D977635S

(12) **United States Design Patent** (10) **Patent No.:** **US D977,635 S**
Bernardoni et al. (45) **Date of Patent:** **** Feb. 7, 2023**

(54) **HANDLE OF A MEDICAL TOOL**

FOREIGN PATENT DOCUMENTS

(71) Applicant: **MEDACTA INTERNATIONAL SA**,
Castel San Pietro (CH)

JP 6078052 2/2017

(72) Inventors: **Massimiliano Bernardoni**, Castel San
Pietro (CH); **Frederic Laude**, Castel
San Pietro (CH); **Ermete Rossi**, Castel
San Pietro (CH); **Francesco Siccardi**,
Castel San Pietro (CH); **Christian
Trombetta**, Castel San Pietro (CH)

OTHER PUBLICATIONS

English Translation of Notice of Search Results issued in JP
2020-01542, dated Sep. 14, 2020.

(Continued)

(73) Assignee: **Medacta International SA**, Castel San
Pietro (CH)

Primary Examiner — T Chase Nelson

Assistant Examiner — Kelly L Gross

(74) *Attorney, Agent, or Firm* — Meunier Carlin &
Curfman LLC

(**) Term: **15 Years**

(57) **CLAIM**

(21) Appl. No.: **29/796,086**

The ornamental design for a handle of a medical tool, as
shown and described.

(22) Filed: **Jun. 22, 2021**

Related U.S. Application Data

DESCRIPTION

(62) Division of application No. 29/723,345, filed on Feb.
6, 2020, now Pat. No. Des. 925,735.

FIG. 1 is a perspective view of a handle of a medical tool
showing our new design.

(30) **Foreign Application Priority Data**

Nov. 7, 2019 (IT) 102019000020576

FIG. 2 is a front view of our new design shown in FIG. 1.

FIG. 3 is a rear view of our new design shown in FIG. 1.

FIG. 4 is left-side view of our new design shown in FIG. 1.

FIG. 5 is a right-side view of our new design shown in FIG.
1.

(51) **LOC (14) Cl.** **24-02**

(52) **U.S. Cl.**
USPC **D24/133**

FIG. 6 is a top view of our new design shown in FIG. 1; and,
FIG. 7 is a bottom view of our new design shown in FIG. 1.

(58) **Field of Classification Search**
USPC D24/108, 112, 113, 114, 115, 116, 117,
D24/127, 133, 134, 136, 137, 138, 143,
(Continued)

The broken lines consisting of short broken lines show the
remaining portions of the handle of a medical tool that form
no part of the claimed design. The broken lines consisting of
dot-dash lines are boundary lines that show that the claimed
design extends to the boundary line but does not include the
boundary line.

(56) **References Cited**

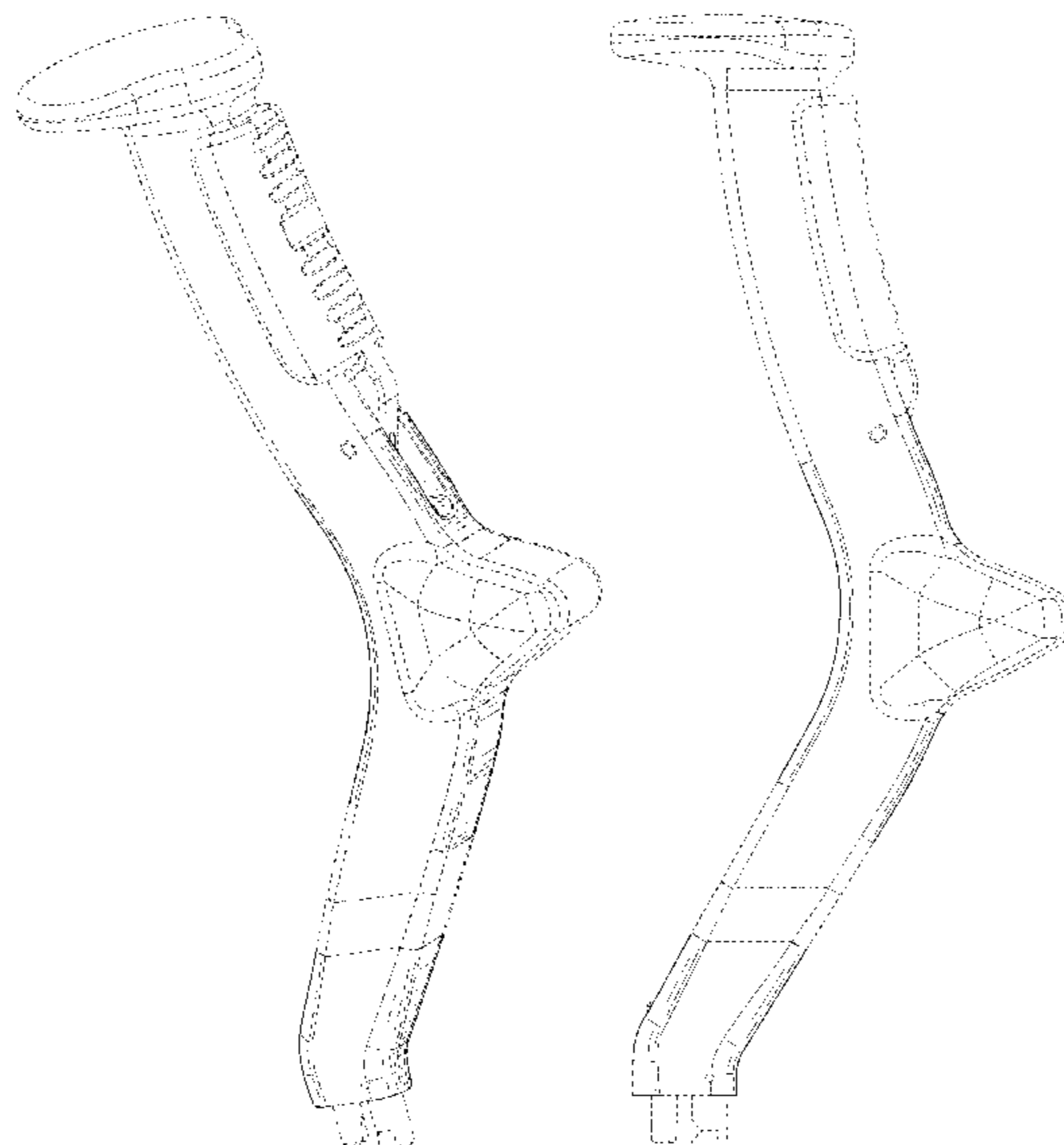
U.S. PATENT DOCUMENTS

In the embodiment of the handle of a medical tool shown in
FIGS. 1-7, the medical tool may be, but is not limited to, an
orthopedic tool, such as a broach, a reamer, or an impactor.

D155,908 S 11/1949 La Forte
D226,410 S 2/1973 Kunze

(Continued)

1 Claim, 6 Drawing Sheets



(58) **Field of Classification Search**

USPC D24/145, 200, 144, 147, 152, 130, 146,
 D24/119, 153, 154, 156, 118, 201, 202,
 D24/222; D8/14, 16, 19, 21, 82, 83, 84,
 D8/85, 86, 107, 34, 300, 303, 314, 372,
 D8/374, 394, 77, 17, 22, 23, 24, 25, 26,
 D8/27, 28, 29, 52, 55, 81, 87, 102, 103,
 D8/104, 105, 106, 98, 99, 93, 94, 338,
 D8/343, 352, 387, 321, DIG. 1, DIG. 2;
 D28/55-57, 65; D23/223-226; D21/325,
 D21/329, 331; D14/401; D13/162
 CPC A61C 5/42; A61C 3/00; A61C 1/0015;
 A61C 1/10; A61C 1/12; A61C 17/00;
 A61C 17/20; A61C 17/0202; A61C
 17/225; A61C 3/02; A61C 3/10; A61C
 3/14; A61C 3/16; A61C 15/00; A61C
 15/02; A61C 15/048; A61C 1/14; A61C
 7/00; A61C 7/02; A61C 7/04; Y10T
 16/506; Y10T 16/487; Y10T 292/82;
 Y01T 292/82; A61B 1/00; A61B 1/267;
 A61B 1/0052; A61B 1/0684; A61B
 1/00039

See application file for complete search history.

(56) **References Cited**

U.S. PATENT DOCUMENTS

D283,968 S 5/1986 Marquis
 D300,506 S 4/1989 Pedone et al.
 D309,984 S 8/1990 Gingras
 D319,104 S 8/1991 Grossi
 D321,817 S 11/1991 Hughes
 D331,183 S 11/1992 Henson
 5,186,714 A 2/1993 Boudreault
 5,251,380 A 10/1993 Craig
 D348,819 S 7/1994 Craig
 D349,559 S 8/1994 Vanderhoef
 D363,609 S 10/1995 Bochnak
 D368,633 S 4/1996 Nakayama
 D375,876 S 11/1996 Allison
 D382,453 S 8/1997 Drinkwater
 D384,279 S 9/1997 Hepworth
 D396,624 S 8/1998 Basilius
 D403,035 S 12/1998 MacPherson
 D404,280 S 1/1999 Wen
 D424,997 S 5/2000 Tamaribuchi
 D426,136 S 6/2000 Yu
 D426,424 S 6/2000 Callahan
 D439,491 S 3/2001 Falt
 D440,492 S 4/2001 Ellers
 D449,499 S 10/2001 Voges
 6,336,382 B2 1/2002 Cerda
 D453,376 S 2/2002 McMahan
 D453,833 S 2/2002 Hess
 D466,388 S 12/2002 Chemtob
 D476,214 S 6/2003 Hsu
 D484,594 S 12/2003 Hayamizu
 D487,796 S 3/2004 Huang
 D494,270 S 8/2004 Reschke
 D496,994 S 10/2004 Tague
 D498,130 S 11/2004 Tomehak
 D499,121 S 11/2004 Masalin
 D512,147 S 11/2005 Barker
 D514,421 S 2/2006 Mineau
 D514,422 S 2/2006 Lai
 D515,393 S 2/2006 Lin
 D530,818 S 10/2006 Lin
 D549,329 S 8/2007 Aparici et al.
 D550,841 S 9/2007 Berci
 D553,462 S 10/2007 Cantlon
 D553,935 S 10/2007 Cantlon
 D556,006 S 11/2007 Cantlon
 D558,934 S 1/2008 Khubani

D571,626 S 6/2008 Escoe
 D573,351 S 7/2008 Angers
 D574,081 S 7/2008 Berry Pitts
 D574,211 S 8/2008 Muehlebach
 D574,233 S 8/2008 Young, Sr.
 D576,273 S 9/2008 McClintok
 D578,216 S 10/2008 Dorn
 D584,412 S 1/2009 Semler
 D589,515 S 3/2009 Brunner
 D589,619 S 3/2009 Wu
 D590,062 S 4/2009 Wu
 D597,668 S 8/2009 Woodruff
 D608,889 S 1/2010 Tenger
 D611,598 S 3/2010 Tenger
 D615,192 S 5/2010 Mudd
 D616,987 S 6/2010 Brown
 D617,908 S 6/2010 Nuenke
 D619,251 S 7/2010 Justiniano-Garcia
 D621,042 S 8/2010 Ruf
 D625,572 S 10/2010 Hoertnagl
 D625,746 S 10/2010 Roberts
 D628,695 S 12/2010 Ruf
 D631,158 S 1/2011 Doerges
 D632,391 S 2/2011 Gitman
 D632,787 S 2/2011 Tenger
 D633,361 S 3/2011 Chang
 D634,843 S 3/2011 Kim
 D638,270 S 5/2011 Flattinger
 D638,934 S 5/2011 Kimmel
 D640,006 S 6/2011 Helms
 D641,222 S 7/2011 Molina
 D641,871 S 7/2011 Tenger
 D646,385 S 10/2011 Gauthier
 D652,139 S 1/2012 Shah
 D654,133 S 2/2012 Barnett
 D658,026 S 4/2012 Dale
 D660,430 S 5/2012 Horning
 D661,964 S 6/2012 Pangborn
 D669,631 S 10/2012 Monty
 D671,644 S 11/2012 Dodd
 D672,469 S 12/2012 Christensen
 D674,479 S 1/2013 Merchant
 D686,477 S 7/2013 Pookrum
 D689,539 S 9/2013 Zaletel
 D690,811 S 10/2013 Horning
 8,616,098 B1 12/2013 Rosow
 D699,347 S 2/2014 Dodd
 D708,744 S 7/2014 Morris
 D718,442 S 11/2014 Yoshida
 D718,443 S 11/2014 Yoshida
 D718,444 S 11/2014 Yoshida
 D718,445 S 11/2014 Yoshida
 D718,446 S 11/2014 Yoshida
 D718,447 S 11/2014 Yoshida
 D718,450 S 11/2014 Rodriguez
 D719,651 S 12/2014 Hoffmann
 D723,687 S 3/2015 Kratoska
 D728,802 S 5/2015 Matsumura
 D729,385 S 5/2015 Gitman
 D731,272 S 6/2015 Salvat
 D731,487 S 6/2015 Matloff
 D735,327 S 7/2015 Van Wyk
 D737,966 S 9/2015 Meguro
 D739,496 S 9/2015 Hollinger
 D746,460 S 12/2015 Gitman
 D747,801 S 1/2016 Kwon
 9,295,480 B2 3/2016 Ye
 D753,301 S 4/2016 Fiksen
 D767,718 S 9/2016 Lampman
 D770,618 S 11/2016 Fiksen
 D775,338 S 12/2016 Gitman
 D775,926 S 1/2017 Atkins
 D777,328 S 1/2017 Tanaka
 D777,915 S 1/2017 Tanaka
 D778,706 S 2/2017 Atkins
 D779,053 S 2/2017 Kobida
 D782,672 S 3/2017 Tanaka
 D799,036 S 10/2017 Osada
 D803,396 S 11/2017 Oberkircher

(56)

References Cited

U.S. PATENT DOCUMENTS

D806,230 S 12/2017 Johnson
 D811,585 S 2/2018 Green
 D812,744 S 3/2018 Robinson
 D814,264 S 4/2018 Werdowatz
 D816,837 S 5/2018 Fuhr
 D824,130 S 7/2018 Vosbikian
 D824,626 S 7/2018 Vosbikian
 D837,374 S 1/2019 Wonderley
 D840,047 S 2/2019 Koo
 D841,650 S 2/2019 Masin
 D842,465 S 3/2019 Osada
 D846,740 S 4/2019 Schneider
 D846,967 S 4/2019 Werdowatz
 D852,357 S 6/2019 Osada
 D852,358 S 6/2019 Matuschek
 D852,593 S 7/2019 Goodwin
 D854,147 S 7/2019 Funakoshi
 D858,697 S 9/2019 Crenshaw
 D860,755 S 9/2019 Wildes
 D863,446 S 10/2019 Bristol
 D865,072 S 10/2019 Gambucci
 D865,638 S 11/2019 Kruk
 D873,413 S 1/2020 Ohno
 D874,649 S 2/2020 Gonzalez
 D875,799 S 2/2020 Crowe
 D875,884 S 2/2020 Howell
 D883,767 S 5/2020 Hoyos Ariza
 D885,040 S 5/2020 Pashandi
 D887,239 S 6/2020 Nystrom
 D888,349 S 6/2020 Yoo
 D891,218 S 7/2020 Su
 D894,877 S 9/2020 Williams, Sr.
 D896,057 S 9/2020 Cesin
 D896,608 S 9/2020 Constantine
 D898,195 S 10/2020 Gitman
 D898,910 S 10/2020 Hansen
 D902,401 S 11/2020 Ohno
 D904,608 S 12/2020 Attinger
 D905,241 S 12/2020 Ohno
 D905,854 S 12/2020 Kao
 D908,835 S 1/2021 Barney
 D909,840 S 2/2021 Hodgins
 D911,135 S 2/2021 Petzl

D911,289 S 2/2021 Itoh
 D911,332 S 2/2021 Zhong
 D911,521 S 2/2021 Swift
 D911,524 S 2/2021 Gitman
 D911,794 S 3/2021 Tarnay
 D912,767 S 3/2021 Ladwig
 D915,584 S * 4/2021 Eisenkrein D24/130
 D921,884 S * 6/2021 Tran D24/113
 D921,895 S * 6/2021 Muhlenkamp D24/140
 D923,176 S * 6/2021 Bradley D24/144
 D924,658 S * 7/2021 Lin D8/107
 D925,735 S * 7/2021 Bernardoni A61B 17/1659
 D929,203 S * 8/2021 Su D24/133
 D929,204 S * 8/2021 Su D8/107
 D929,580 S * 8/2021 Bornhoft D8/107
 D929,585 S * 8/2021 Sharp D24/130
 D931,439 S * 9/2021 Morishita D24/138
 D933,224 S * 10/2021 Charbonneau D24/113
 D933,837 S * 10/2021 Tanghal D24/146
 D935,017 S * 11/2021 Kawanishi D24/187
 D936,221 S * 11/2021 Jensen D24/138
 D938,047 S * 12/2021 Denis D24/138
 D938,583 S * 12/2021 Yan D24/186
 D938,584 S * 12/2021 Harris D24/133
 D940,317 S * 1/2022 Ono A61B 17/1659
 D940,862 S * 1/2022 Ono D24/133
 D941,471 S * 1/2022 Kawanishi D24/138
 D945,612 S * 1/2022 Shackelford, Jr. D24/147
 D952,136 S * 3/2022 Lund D24/138
 D954,947 S * 5/2022 Shabudin D24/114
 D954,948 S * 6/2022 Ono D24/138
 D955,573 S * 6/2022 Ono D24/138
 D958,344 S * 6/2022 Mo D24/138
 D958,345 S * 7/2022 Ono D24/138
 D958,346 S * 7/2022 Ono D24/138
 D958,347 S * 7/2022 Ono D24/138

OTHER PUBLICATIONS

English Translation of Notice of Search Results issued in JP 2020-010541, dated Sep. 14, 2020.

* cited by examiner

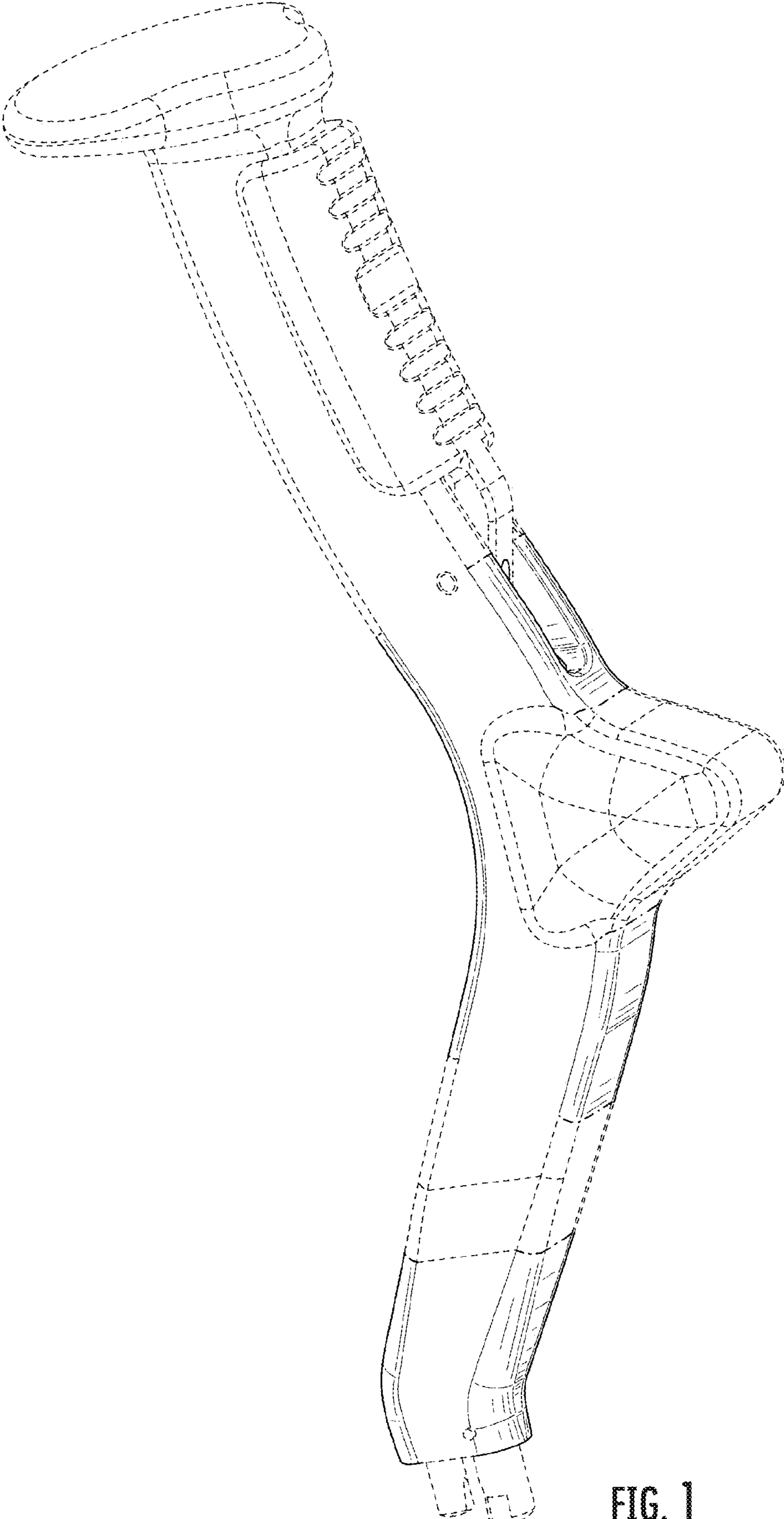


FIG. 1

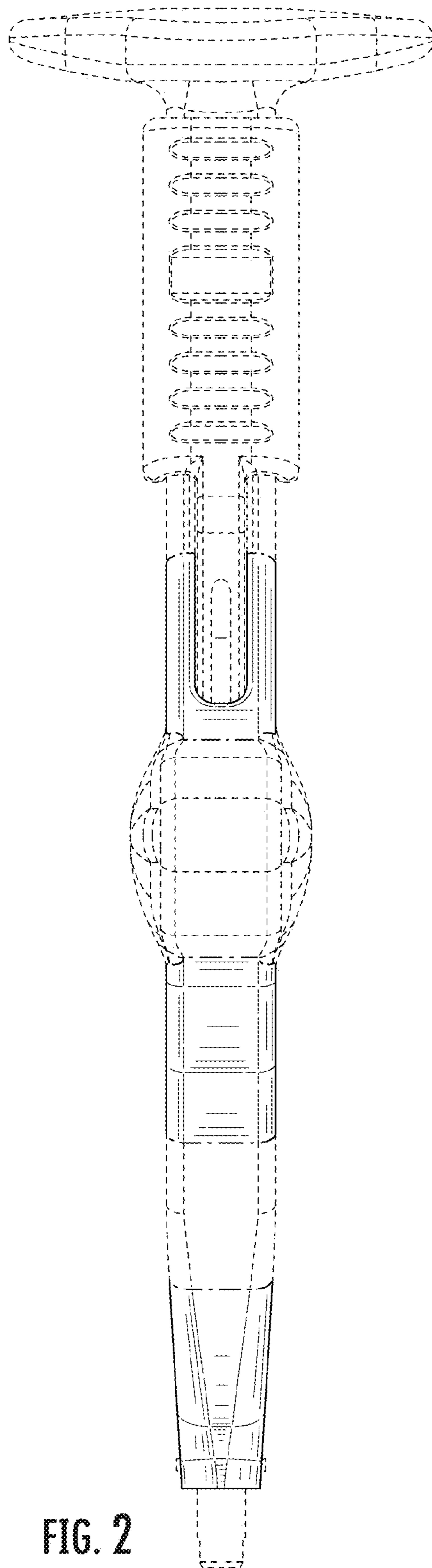


FIG. 2

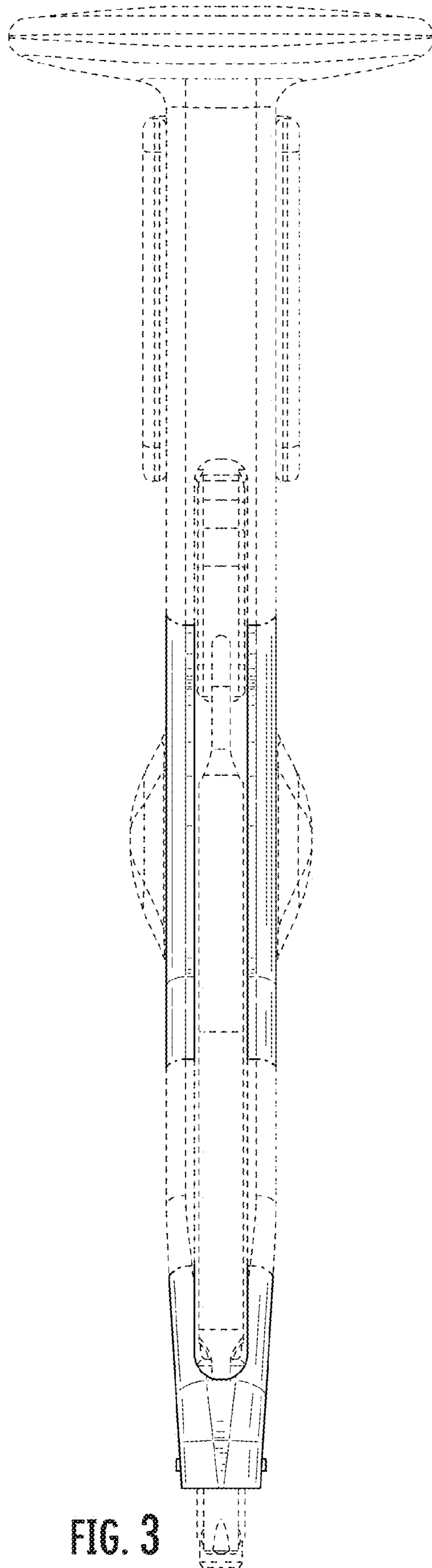


FIG. 3

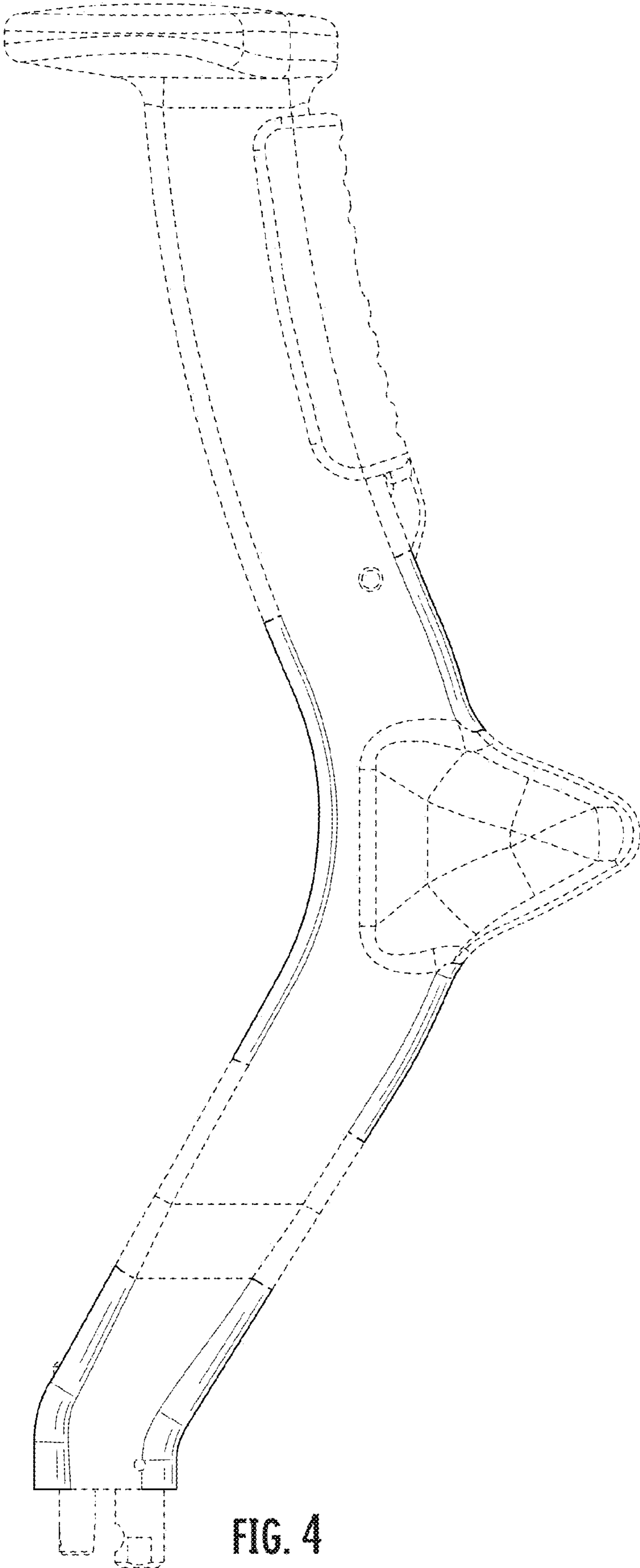


FIG. 4

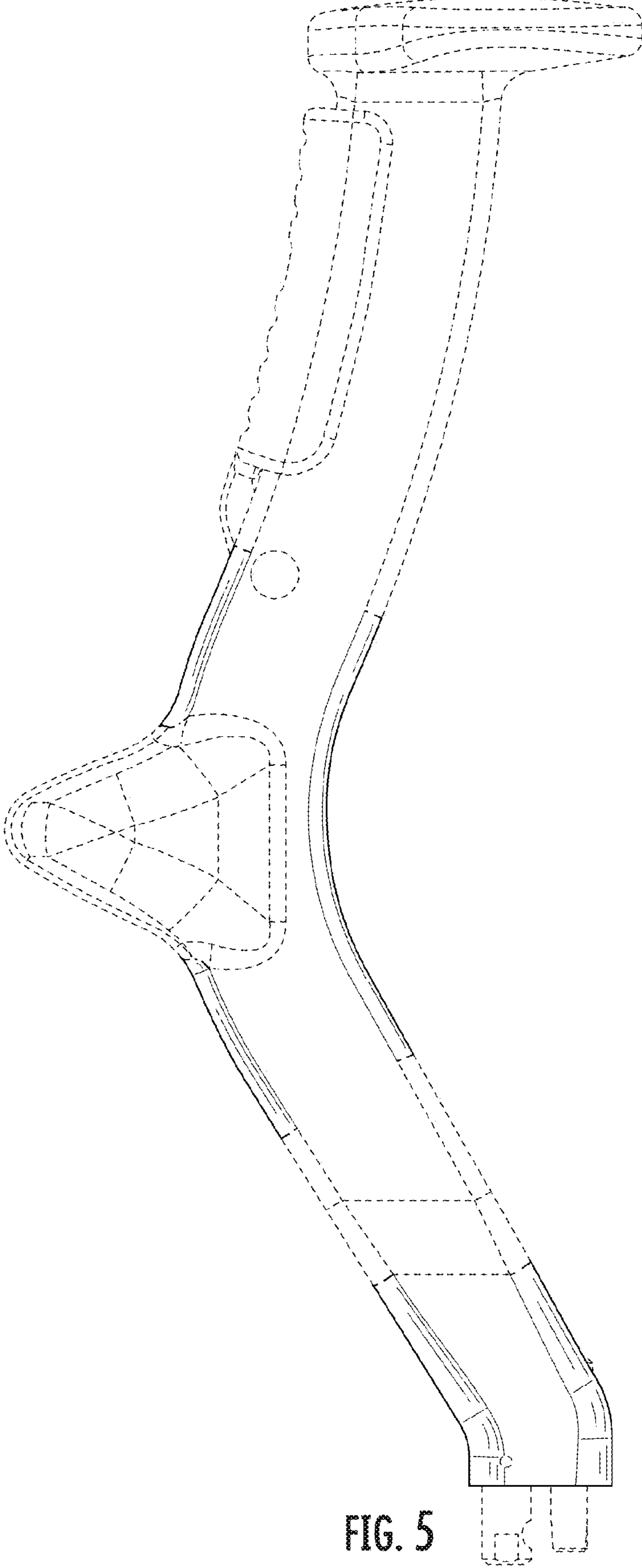


FIG. 5

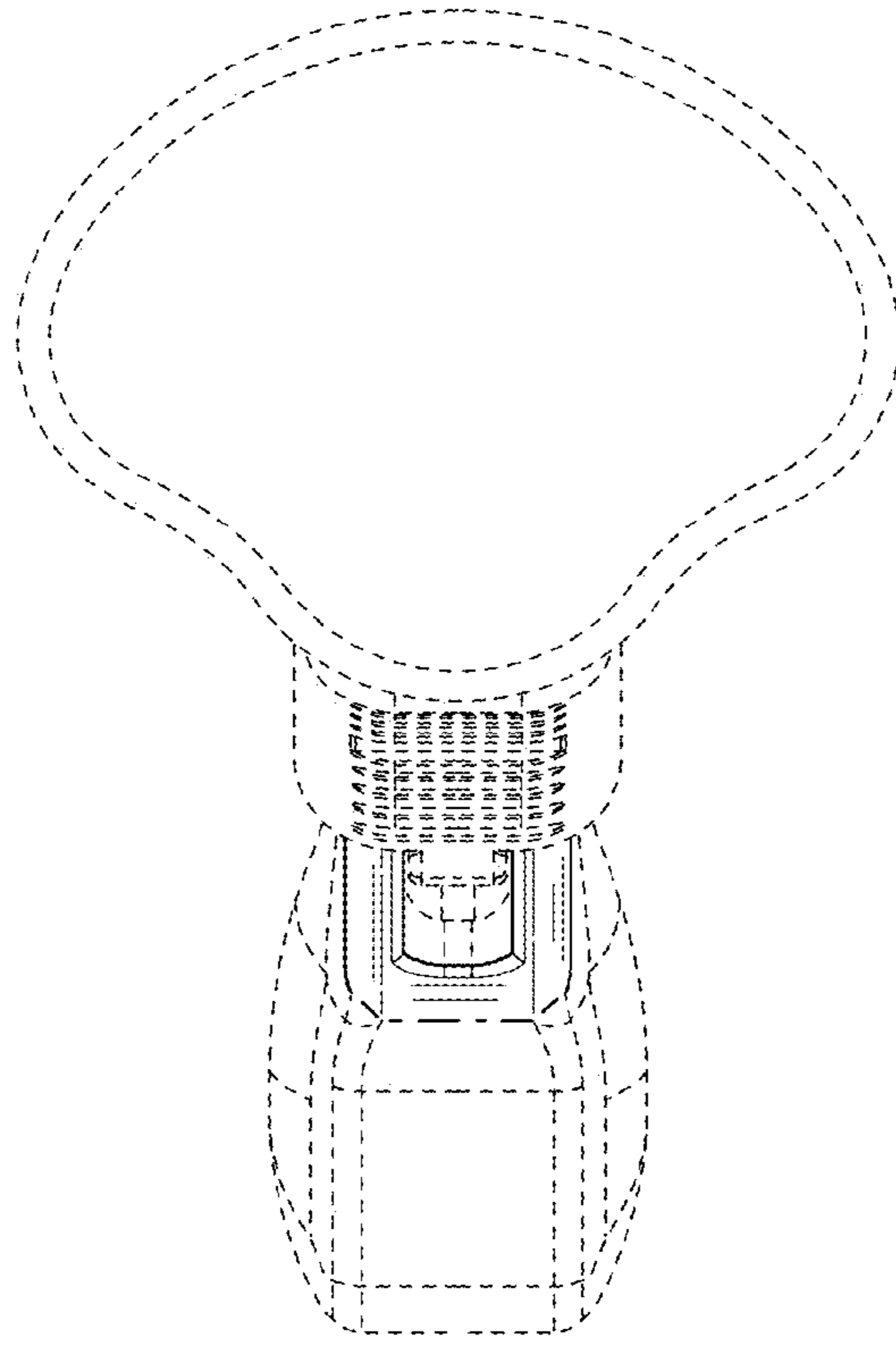


FIG. 6

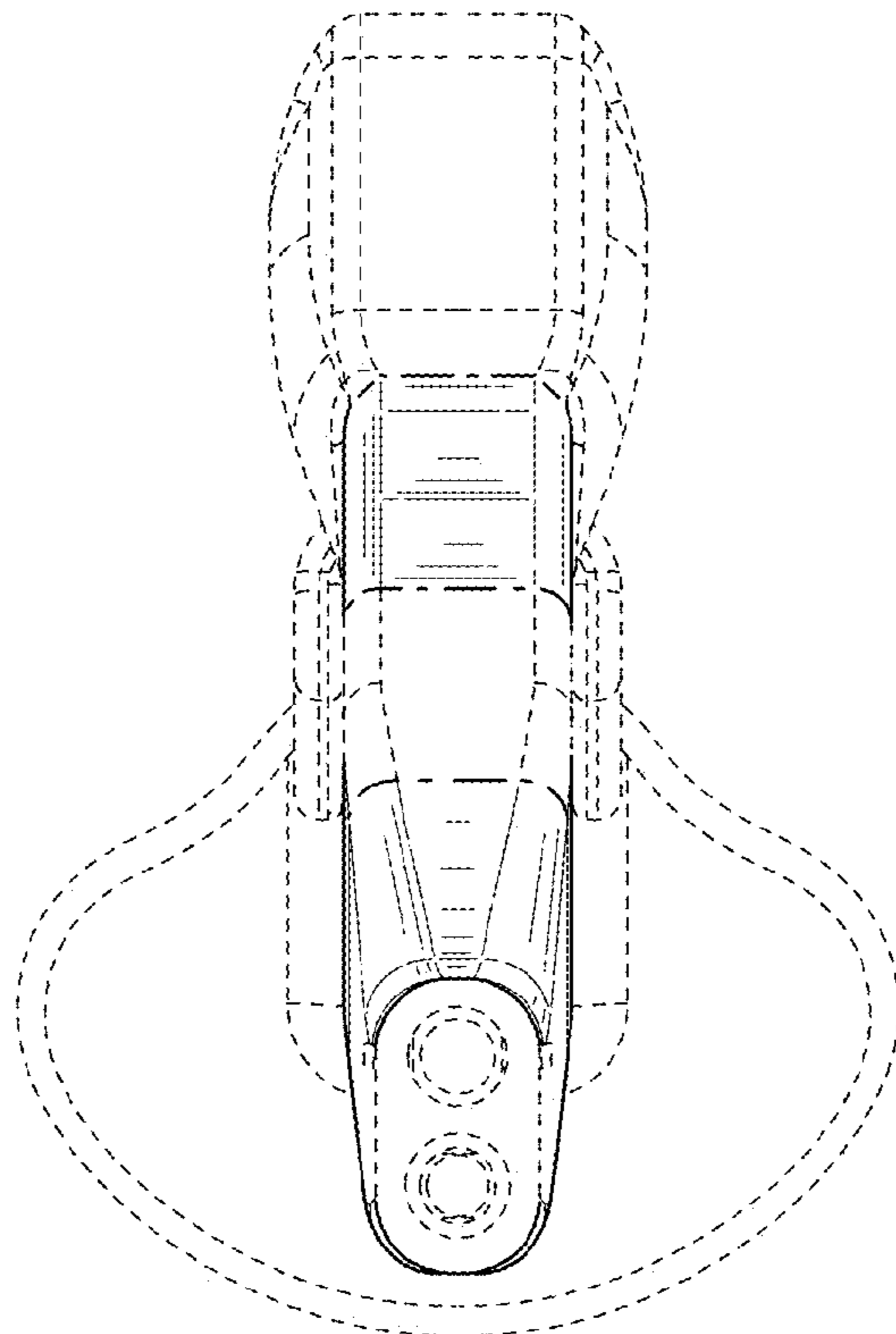


FIG. 7