



US00D977627S

(12) **United States Design Patent** (10) **Patent No.:** **US D977,627 S**
Haynes et al. (45) **Date of Patent:** **** Feb. 7, 2023**

(54) **INHALER**

FOREIGN PATENT DOCUMENTS

(71) Applicant: **Orion Corporation**, Espoo (FI)
(72) Inventors: **Adam Haynes**, Cambridge (GB); **Mitul Lad**, Leicester (GB); **Alex Hung**, Warwickshire (GB); **David Robinson**, Cambridgeshire (GB)

EM 000166137-0001 9/2004
EM 001452460-0001 11/2016

(Continued)

(73) Assignee: **Orion Corporation**, Espoo (FI)

(**) Term: **15 Years**

(21) Appl. No.: **29/827,292**

(22) Filed: **Feb. 18, 2022**

Related U.S. Application Data

(62) Division of application No. 29/700,144, filed on Jul. 31, 2019, now Pat. No. Des. 960,349.

(30) **Foreign Application Priority Data**

Feb. 4, 2019 (GB) 6053738
Feb. 4, 2019 (GB) 6053739

(Continued)

(51) **LOC (14) Cl.** **29-02**

(52) **U.S. Cl.**
USPC **D24/110**

(58) **Field of Classification Search**
USPC D24/107, 108, 110, 110.5, 127, 164;
D23/360

(Continued)

(56) **References Cited**

U.S. PATENT DOCUMENTS

D348,929 S 7/1994 Paton
D473,640 S 4/2003 Cuffaro et al.

(Continued)

OTHER PUBLICATIONS

Mallory Hackett, Teva's two new digital inhalers complete Digihaler product line (available [online] Sep. 21, 2020) Retrieved from the internet Jan. 20, 2022 from URL:https://www.mobihealthnews.com/news/teva-s-two-new-digital-inhalers-complete-digihaler-product-line (Year: 2020).

Primary Examiner — Richard Kearney
Assistant Examiner — Michael Hoffman
(74) *Attorney, Agent, or Firm* — The Ollila Law Group LLC

(57) **CLAIM**

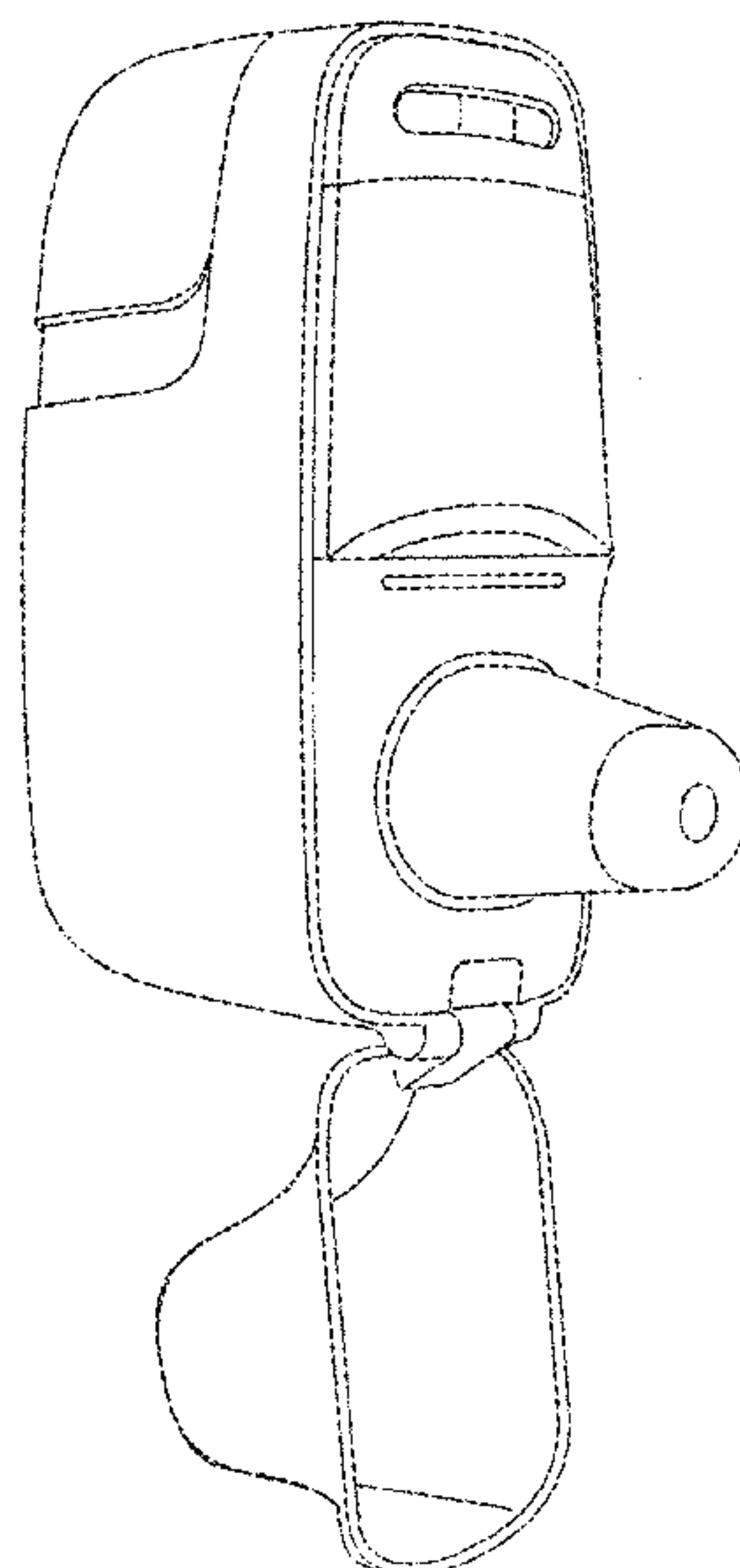
The ornamental design for an inhaler, as shown and described.

DESCRIPTION

FIG. 1 is a perspective view of an inhaler showing our new design;
FIG. 2 is a front elevation view thereof;
FIG. 3 is a rear elevation view thereof;
FIG. 4 is a right side elevation view thereof;
FIG. 5 is a left side elevation view thereof;
FIG. 6 is a top plan view thereof;
FIG. 7 is a bottom plan view thereof;
FIG. 8 is a perspective view thereof in an open state;
FIG. 9 is a front elevation view thereof in an open state; and,
FIG. 10 is a right side elevation view thereof in an open state.

The broken lines shown in the drawings illustrate portions of the article and form no part of the claimed design.

1 Claim, 10 Drawing Sheets



(30) Foreign Application Priority Data

Feb. 4, 2019 (GB) 6053740
 Feb. 4, 2019 (GB) 6053741

(58) Field of Classification Search

CPC A61M 15/00; A61M 15/0025; A61M
 15/0026; A61M 15/005; A61M 15/0065;
 A61M 15/0071; A61M 15/0091; A61M
 11/00; A61M 11/02; A61M 11/04; A61K
 9/007; A61K 9/0073; A61K 9/0075;
 A61K 9/0078; A61K 9/008

See application file for complete search history.

(56) References Cited

U.S. PATENT DOCUMENTS

D480,474 S 10/2003 Bowman et al.
 D509,898 S 9/2005 Bunce et al.
 D515,696 S 2/2006 Lucking et al.
 D582,544 S 12/2008 Meziere
 D598,536 S 8/2009 Parkes
 D716,936 S 11/2014 Jensen et al.
 D769,436 S 10/2016 Walsh
 D783,150 S * 4/2017 Cottam D24/110
 D783,151 S * 4/2017 Cottam D24/110
 D783,806 S 4/2017 Milton-Edwards et al.
 D808,515 S * 1/2018 Atkin D24/110

D832,997 S * 11/2018 Dethlefs D24/110
 D834,704 S 11/2018 Atkin et al.
 D840,020 S 2/2019 Howgill
 D853,555 S * 7/2019 Oliveras D24/110
 D863,532 S * 10/2019 Jackson D24/110
 D871,567 S 12/2019 Pieters et al.
 D877,322 S 3/2020 Jackson et al.
 D946,138 S * 3/2022 Markey D24/110
 D948,703 S * 4/2022 Dalvi D24/110
 D948,704 S * 4/2022 Dalvi D24/110
 2010/0288277 A1 * 11/2010 Gordon A61M 15/0025
 128/203.15
 2011/0120464 A1 * 5/2011 Briant A61M 15/0065
 128/203.15
 2016/0303336 A1 10/2016 Arp et al.
 2017/0004395 A1 1/2017 Smith
 2018/0140788 A1 5/2018 Calderon Oliveras et al.
 2021/0008304 A1 * 1/2021 Marcoz A61M 15/009
 2022/0047822 A1 * 2/2022 Vokey A61M 15/008
 2022/0296827 A1 * 9/2022 Calvo Fernandez
 A61M 15/0086

FOREIGN PATENT DOCUMENTS

EM 004074649-001 8/2017
 JP D1669003 9/2020
 KR 300697292.0000 6/2016
 RU 00092434 4/2015
 TW D174566 3/2016

* cited by examiner

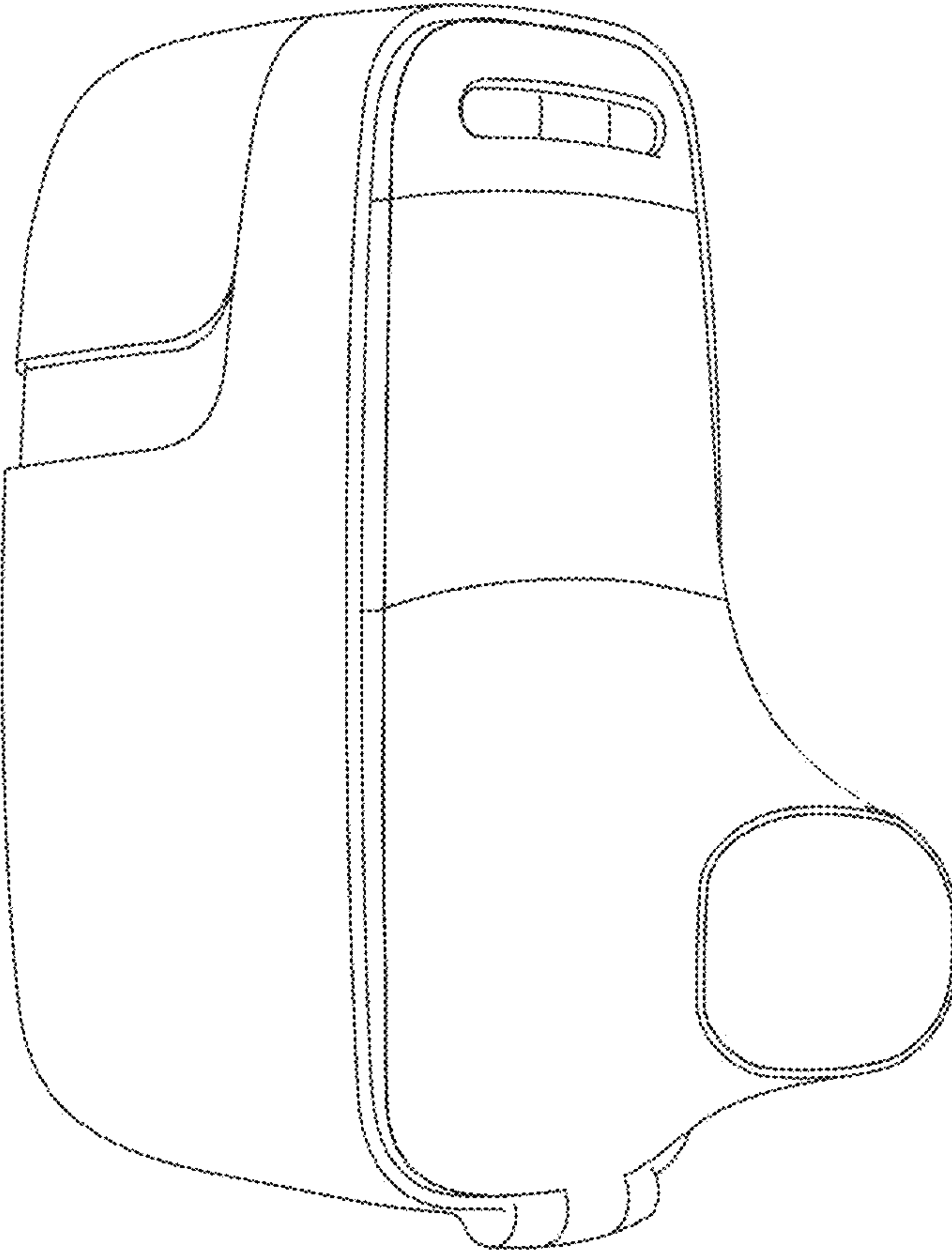


FIG. 1

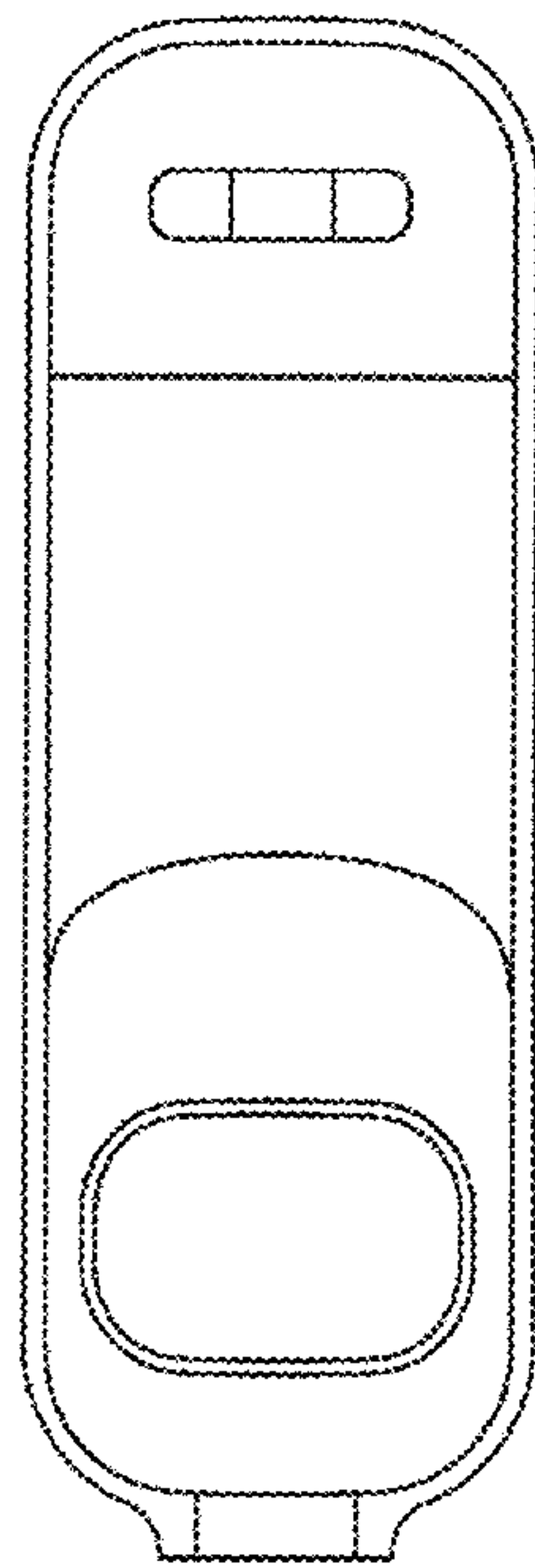


FIG. 2

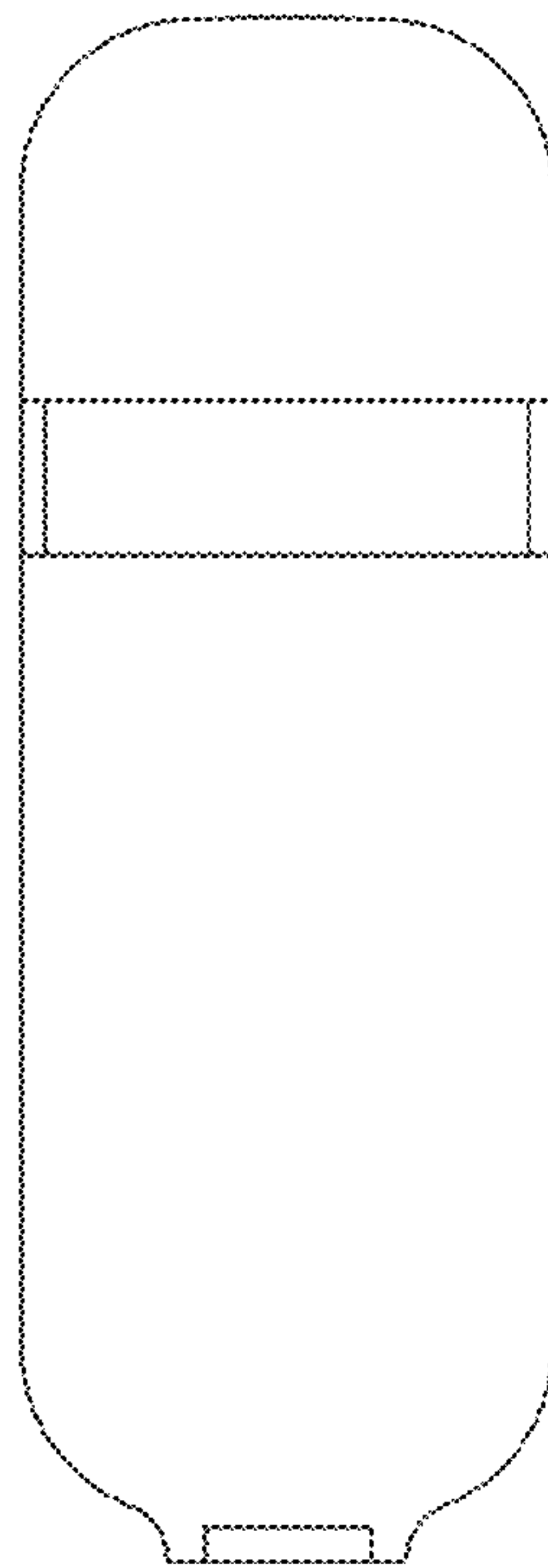


FIG. 3

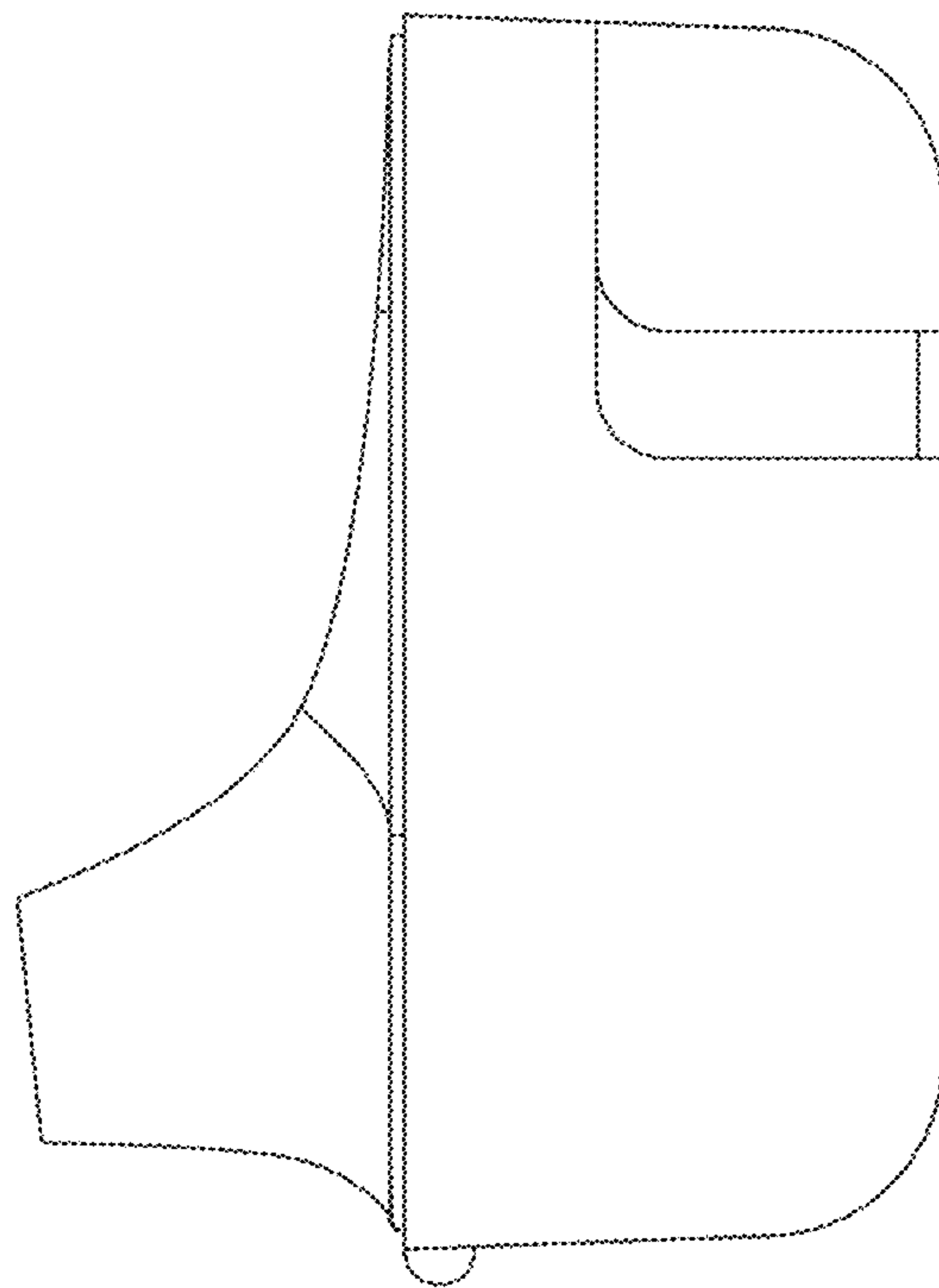


FIG. 4

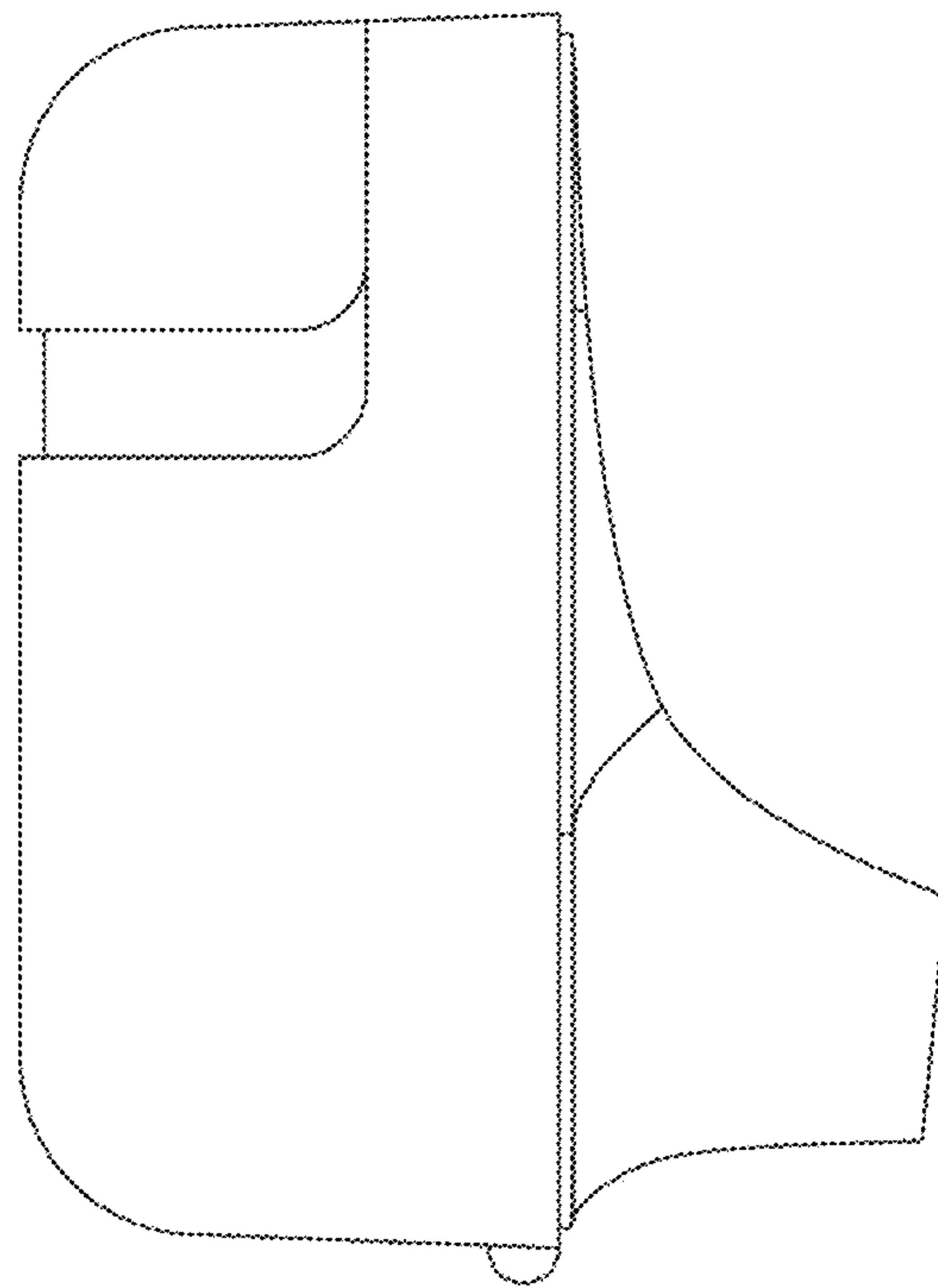


FIG. 5

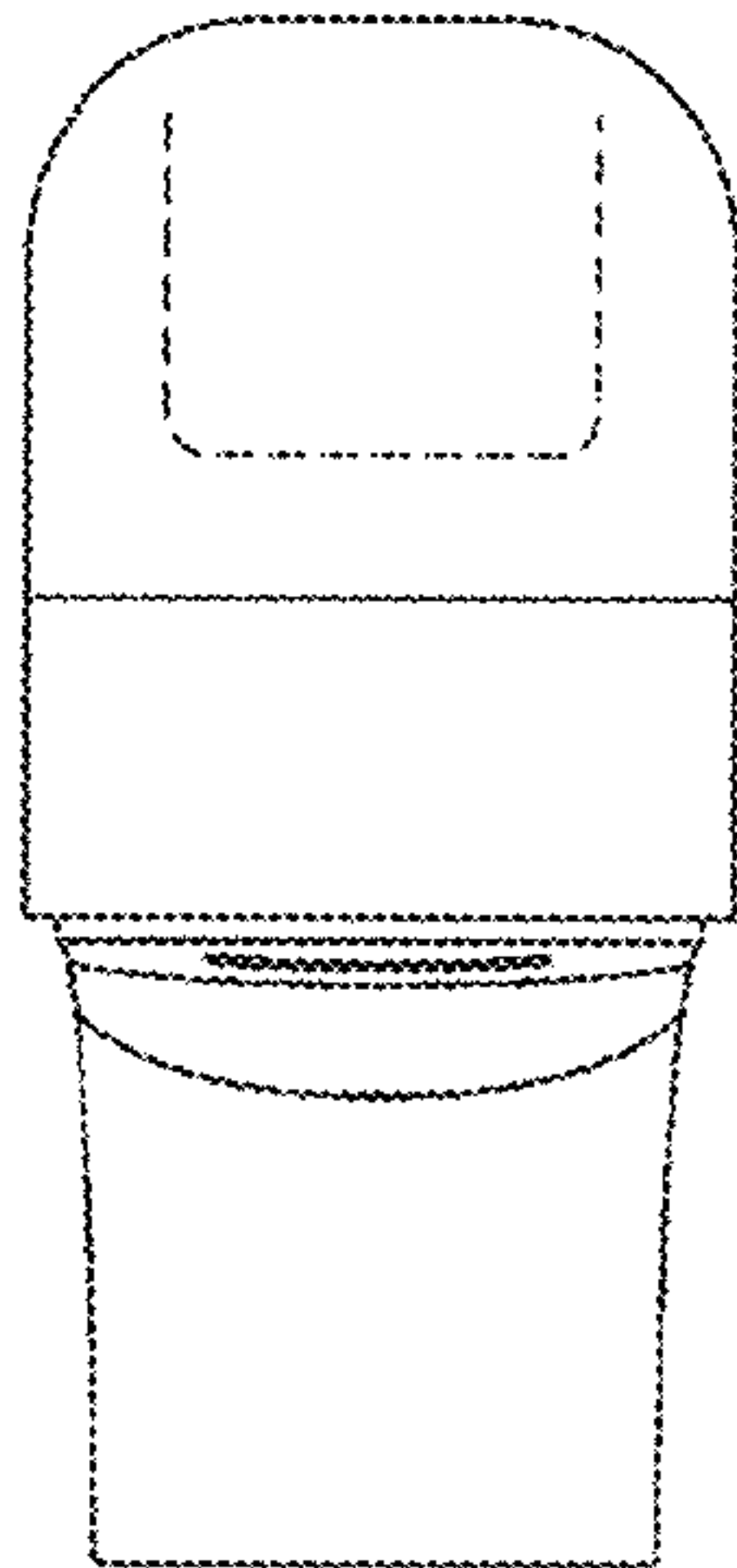


FIG. 6

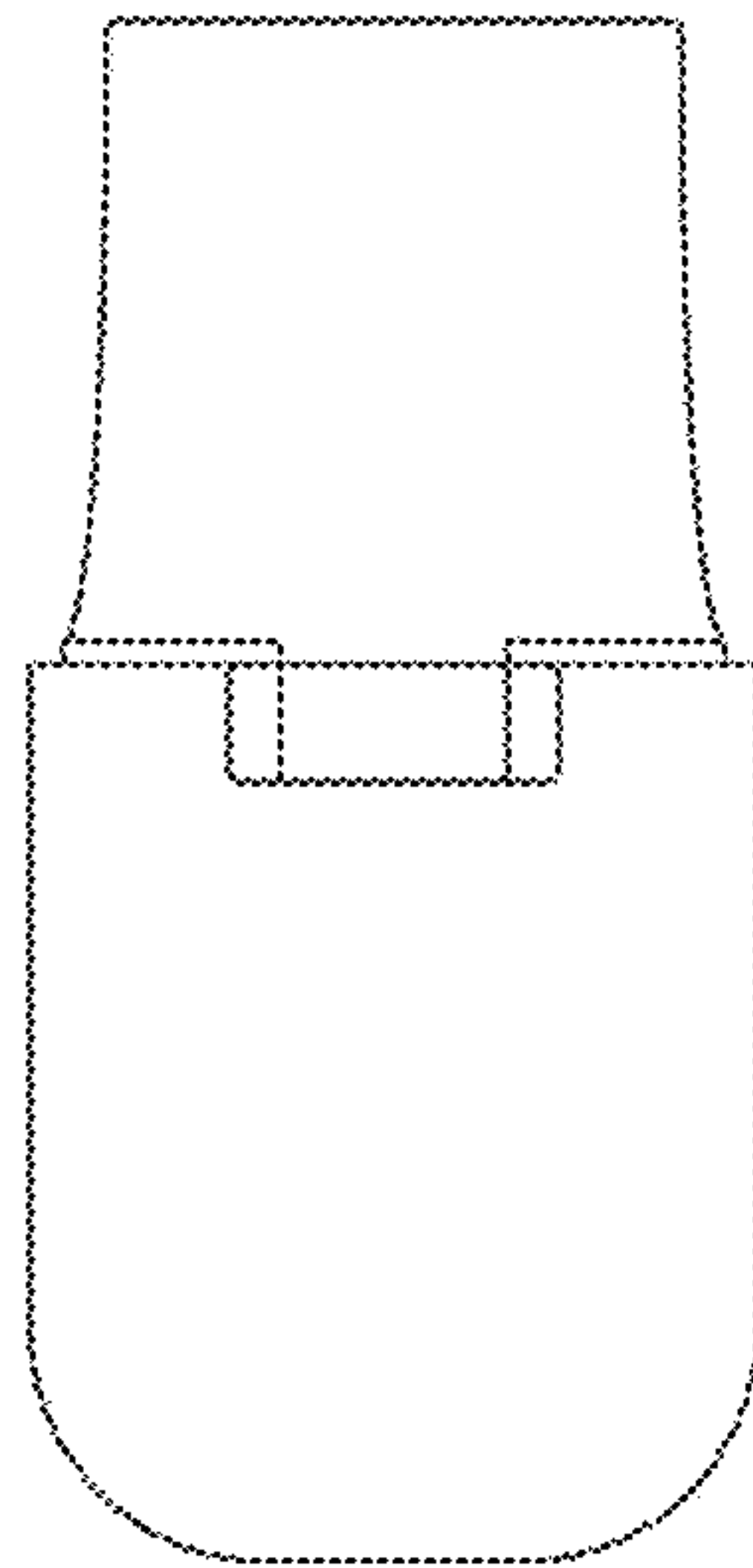


FIG. 7

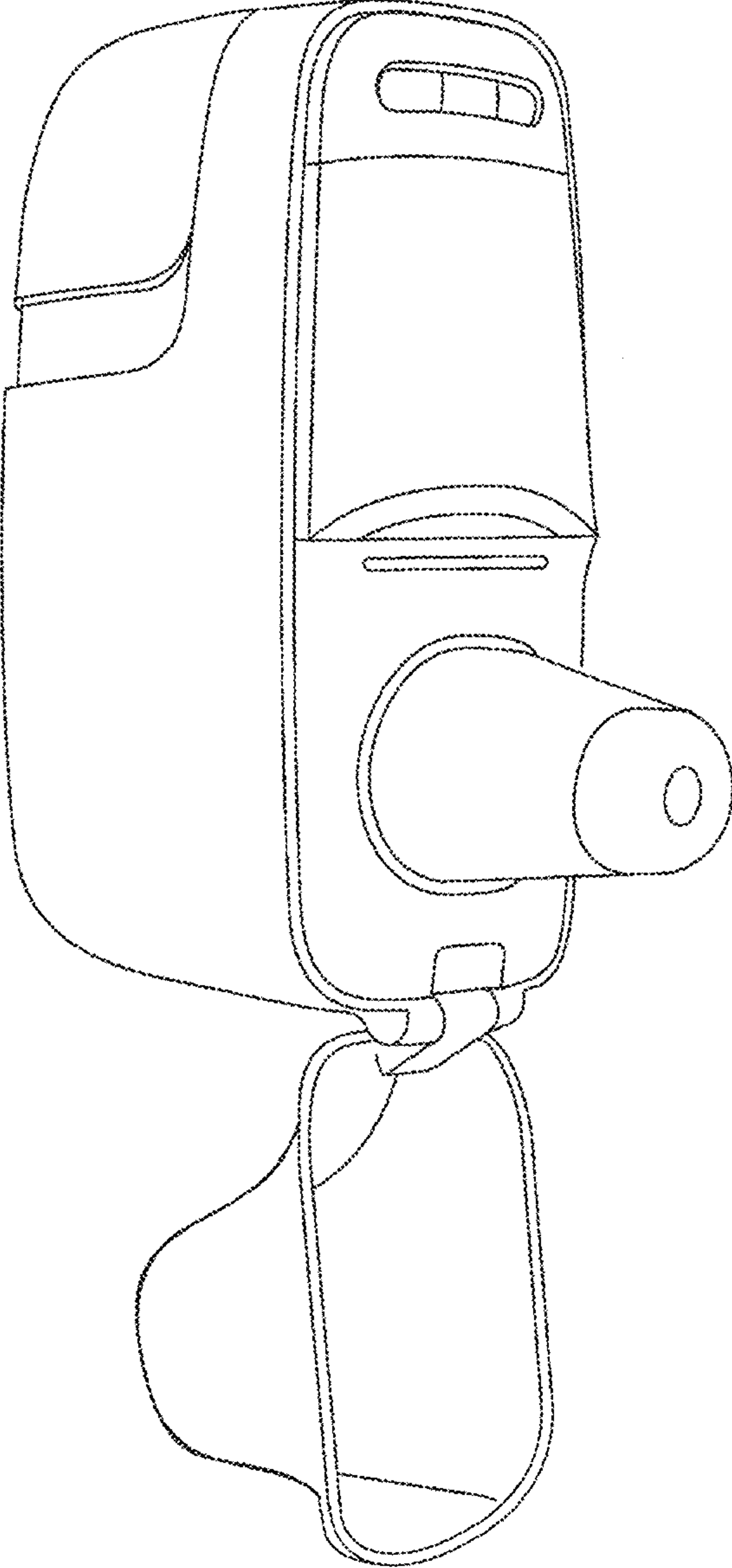


FIG. 8

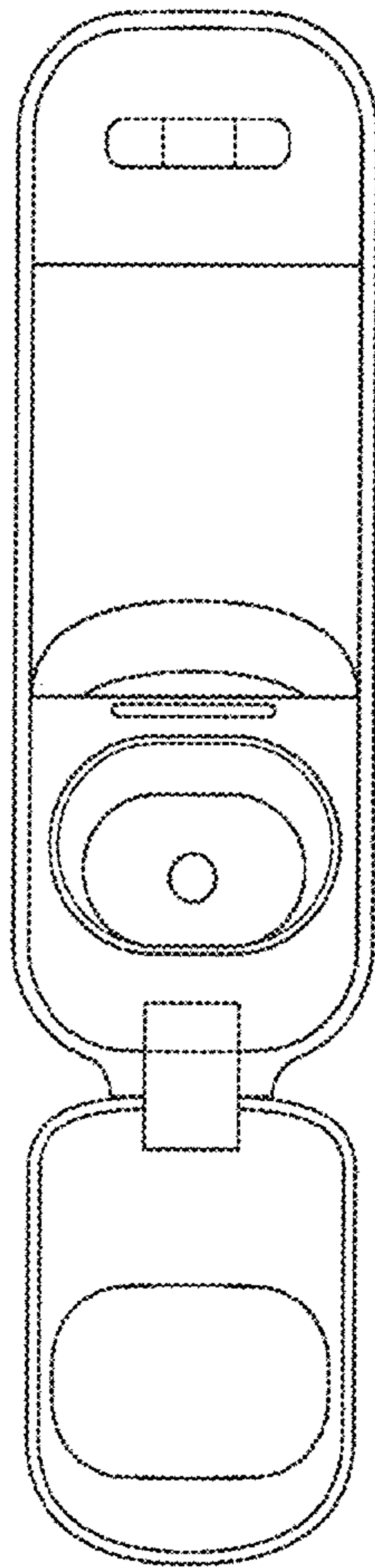


FIG. 9

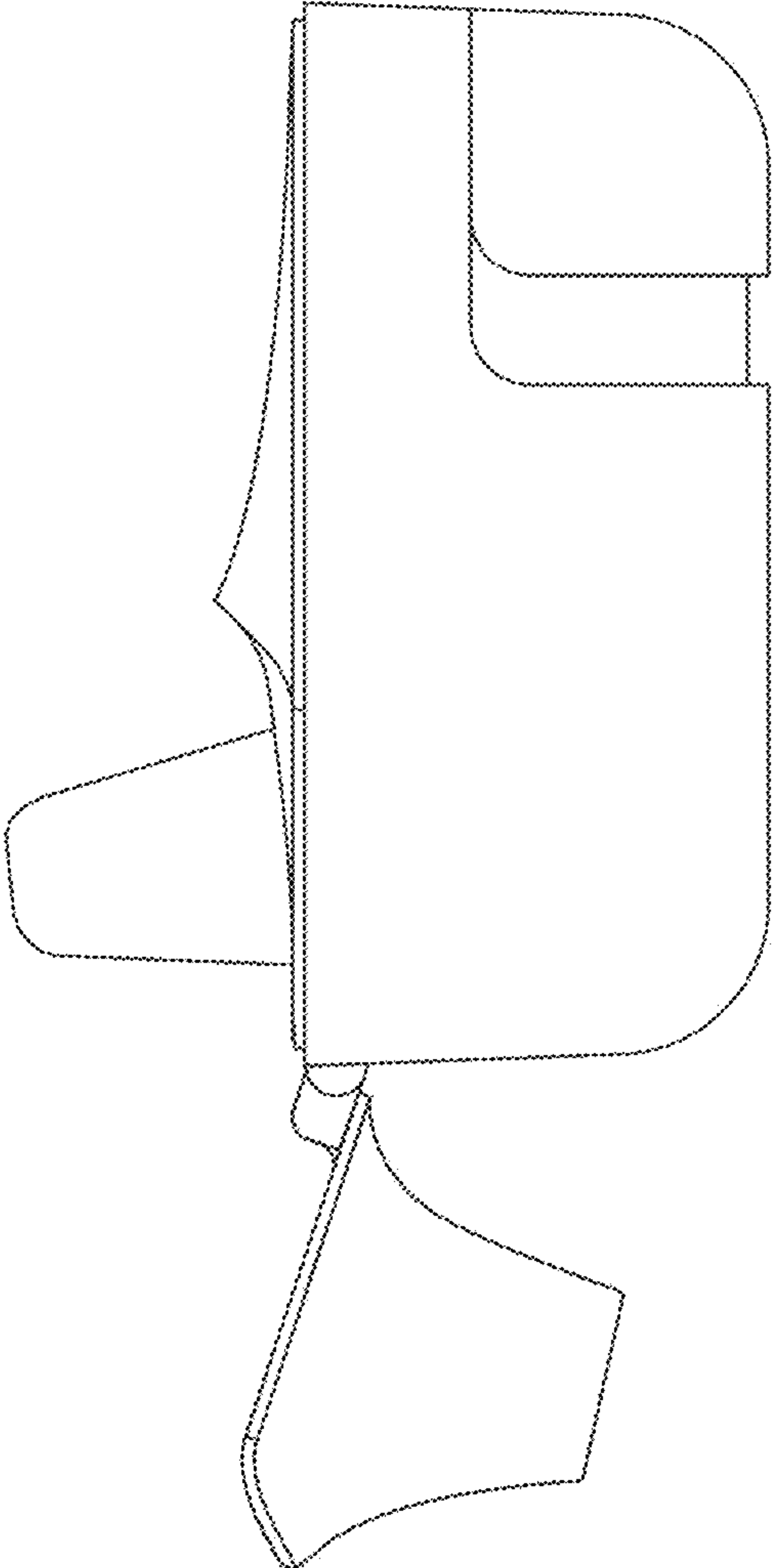


FIG. 10