



US00D977626S

(12) **United States Design Patent**
Chen

(10) **Patent No.:** **US D977,626 S**

(45) **Date of Patent:** **** Feb. 7, 2023**

(54) **NEBULIZER**

(71) Applicant: **Hetaida Technology Co., Ltd.**,
Dongguan (CN)

(72) Inventor: **Zhenguang Chen**, Dongguan (CN)

(73) Assignee: **HETAIDA TECHNOLOGY CO., LTD.**, Dongguan (CN)

(**) Term: **15 Years**

(21) Appl. No.: **29/796,366**

(22) Filed: **Jun. 24, 2021**

(51) **LOC (14) Cl.** **24-02**

(52) **U.S. Cl.**
USPC **D24/110**

(58) **Field of Classification Search**
USPC D24/107, 108, 109, 110, 111, 127, 164;
D3/273, 294; D14/196; D15/9;
D23/356, 359, 360
CPC A61M 16/16; A61M 11/00; A61M 11/02;
A61M 11/04
See application file for complete search history.

(56) **References Cited**

U.S. PATENT DOCUMENTS

D376,199 S	*	12/1996	Rozek	D15/9
D479,248 S	*	9/2003	Gist	D15/9
D489,733 S	*	5/2004	Leasure	D15/9
D527,098 S	*	8/2006	Cheng	D24/110
D601,692 S	*	10/2009	Tout	D24/111

D675,730 S	*	2/2013	Lithgow	D24/110
D683,444 S	*	5/2013	Inoue	D24/110
D726,302 S	*	4/2015	Hanna	D24/107
D740,929 S	*	10/2015	Pipe	D24/108
D745,137 S	*	12/2015	Pipe	D24/108
D947,361 S	*	3/2022	Zhang	D24/110
D963,836 S	*	9/2022	Zhang	D24/110
2009/0211571 A1	*	8/2009	Lu	A61M 11/02 128/200.21

* cited by examiner

Primary Examiner — Richard Kearney

Assistant Examiner — Michael Hoffman

(74) *Attorney, Agent, or Firm* — Leong C. Lei

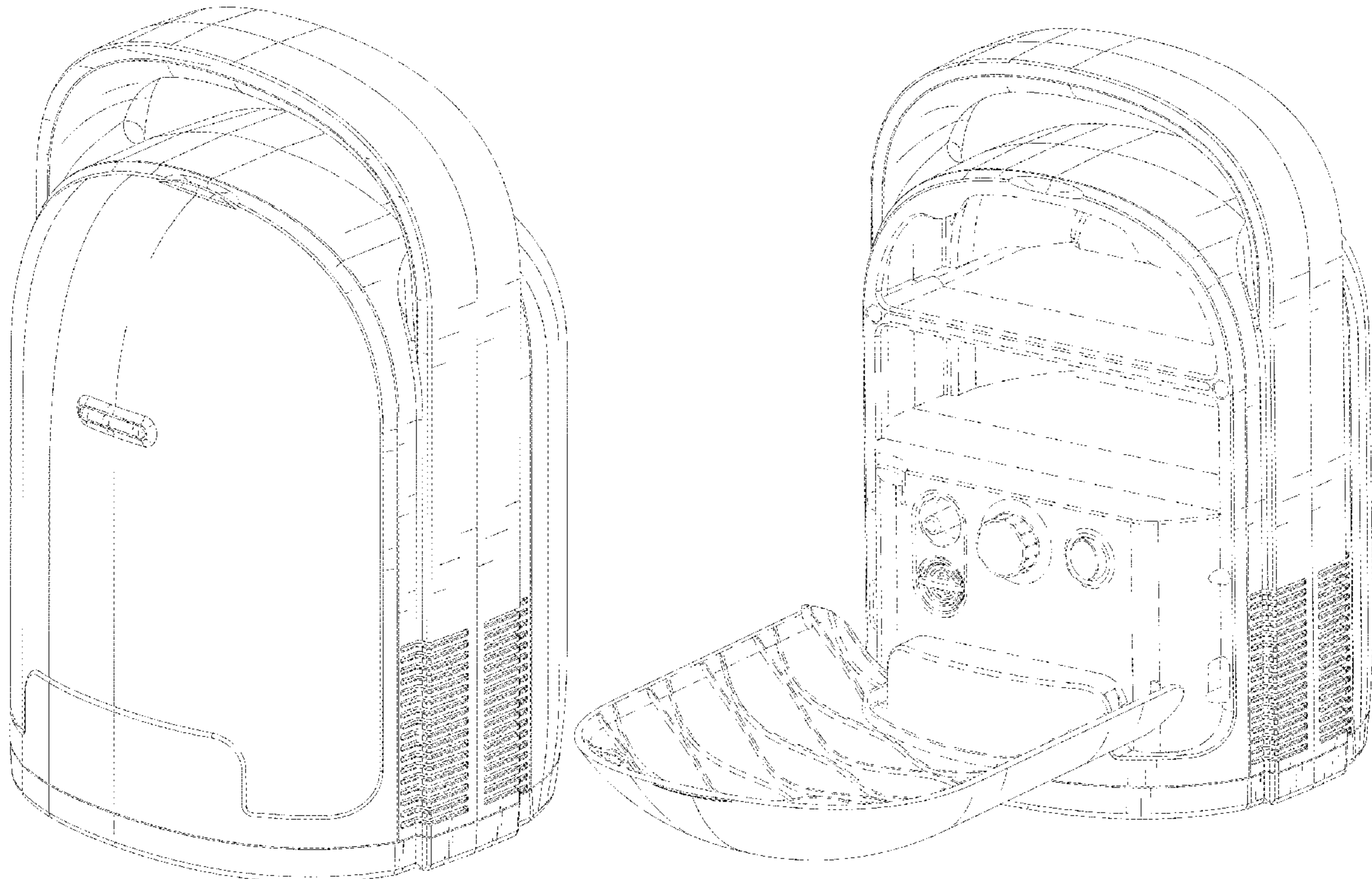
(57) **CLAIM**

The ornamental design for a nebulizer, as shown and described.

DESCRIPTION

FIG. 1 is a perspective view of a nebulizer showing my present design;
FIG. 2 is a front view thereof;
FIG. 3 is a rear view thereof;
FIG. 4 is a left side view thereof;
FIG. 5 is a right side view thereof;
FIG. 6 is a top view thereof;
FIG. 7 is a bottom view thereof; and,
FIG. 8 is a front perspective view when in use.
The broken lines in the drawings illustrate portions which form no part of the claimed design.

1 Claim, 8 Drawing Sheets



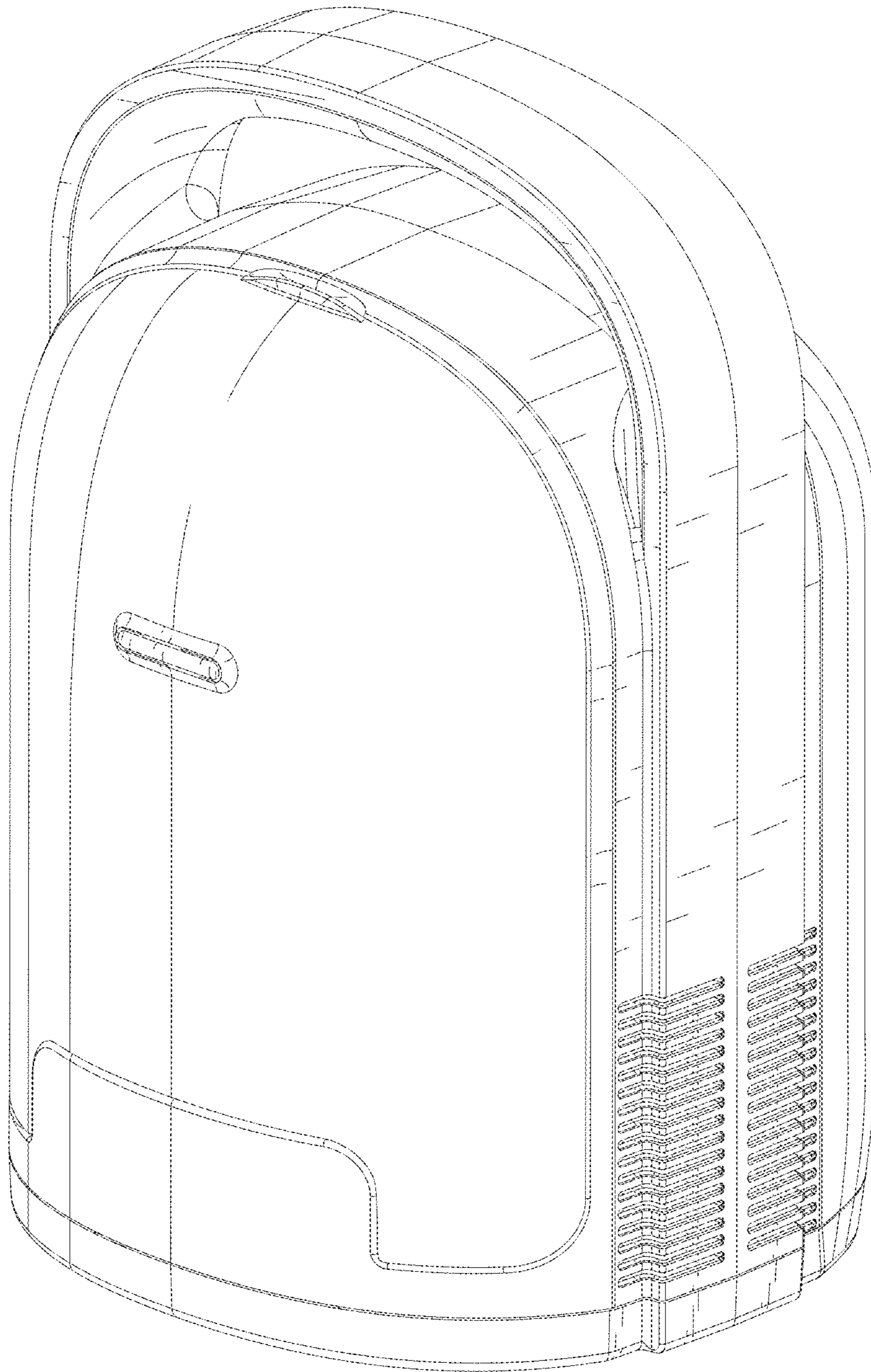
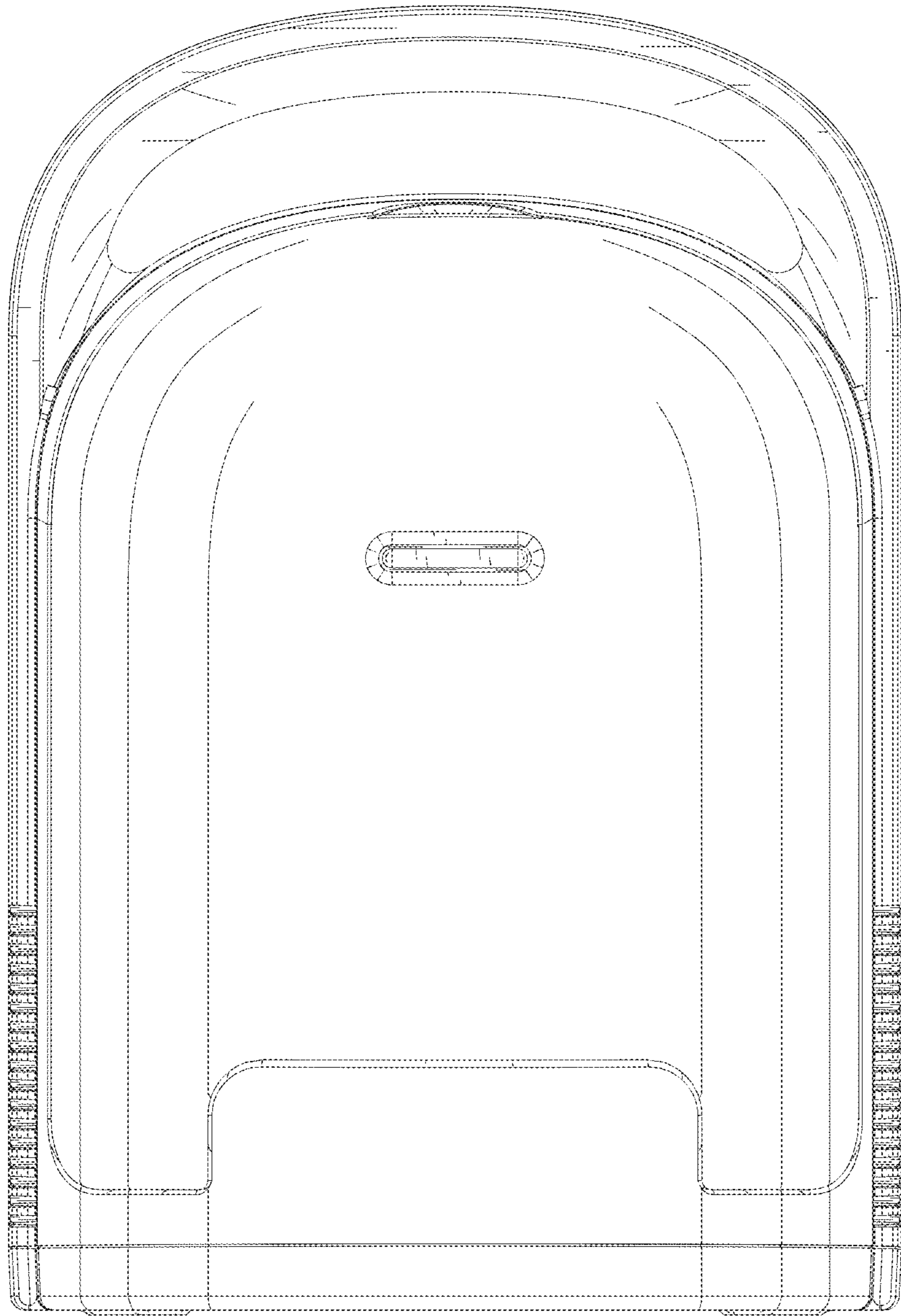
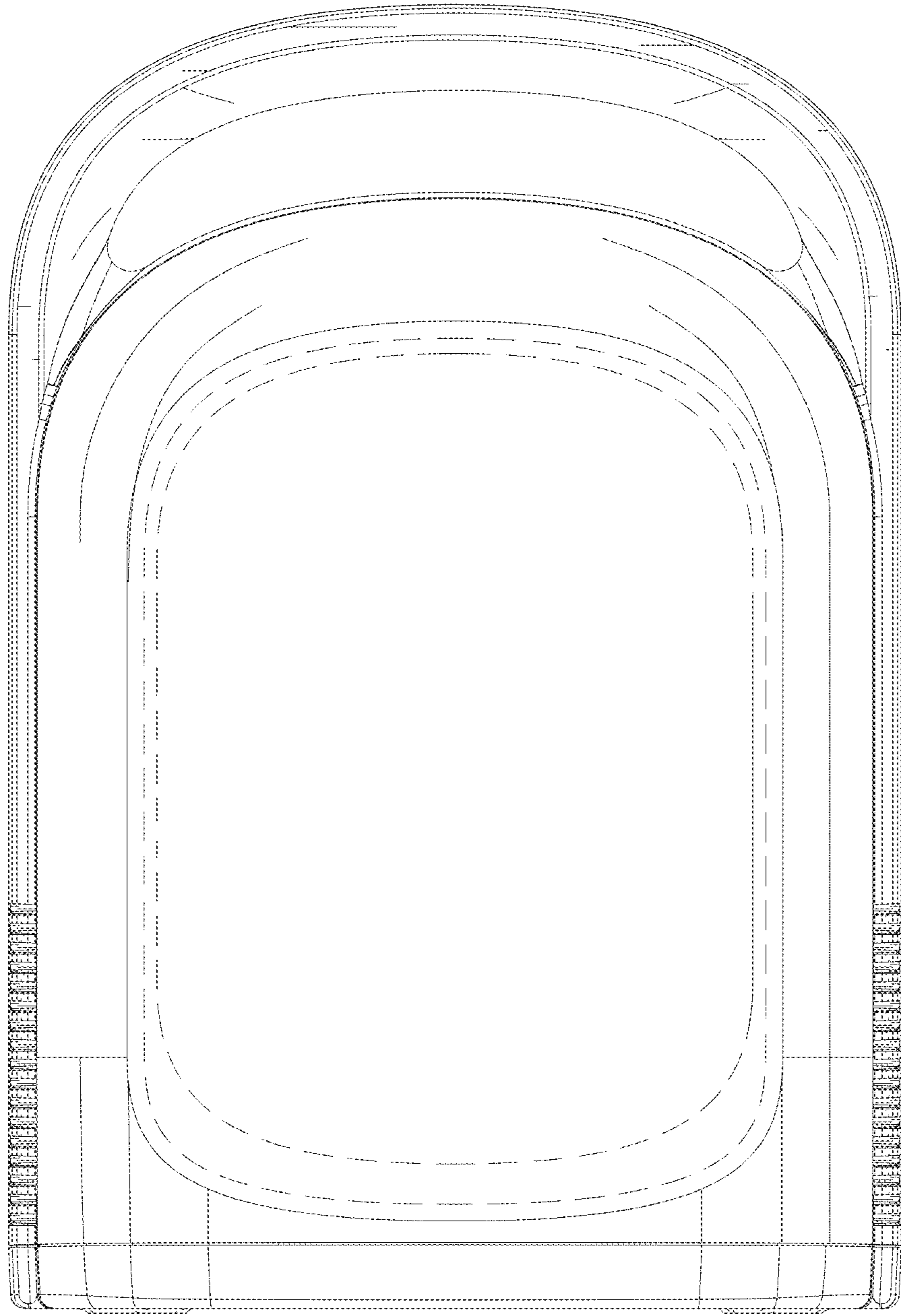


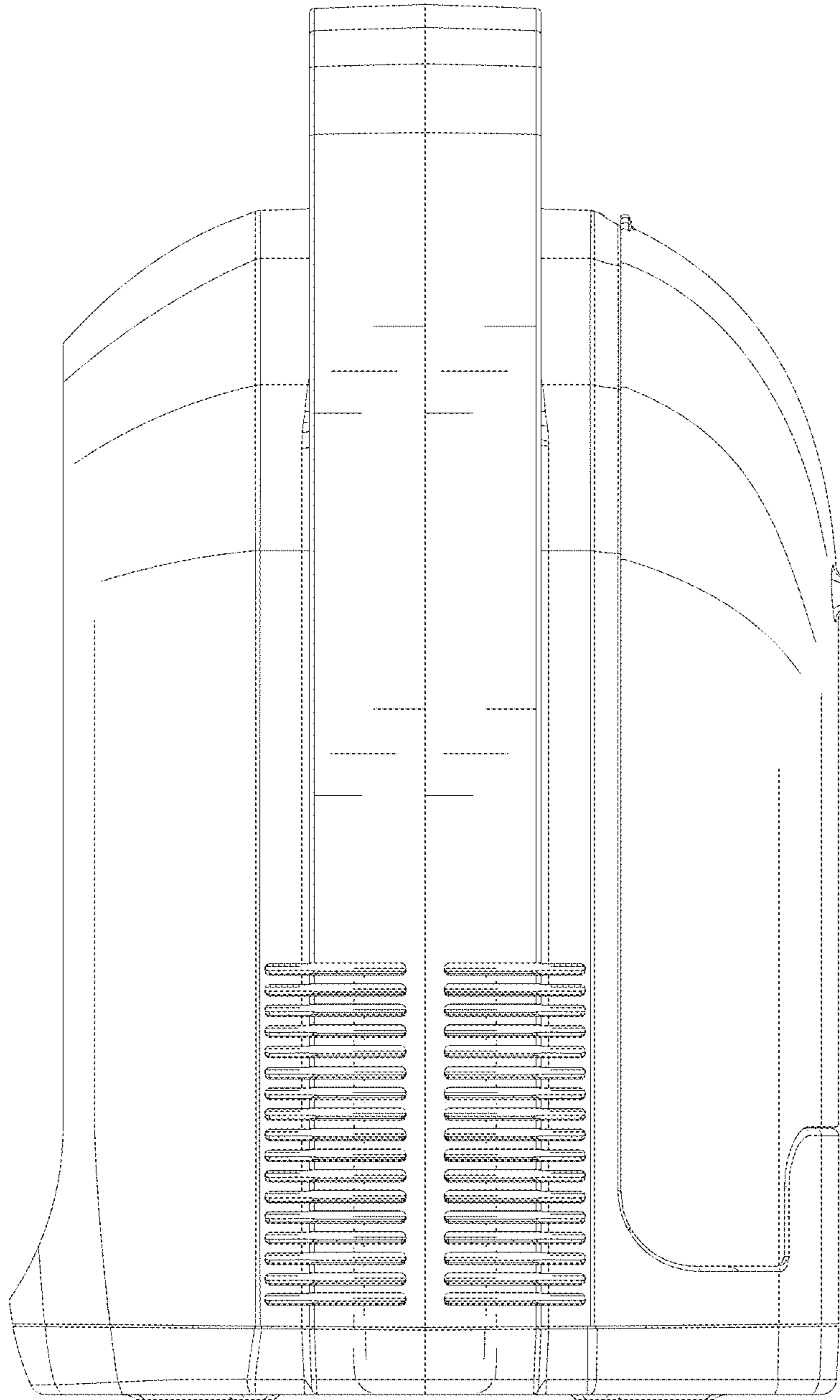
FIG. 1



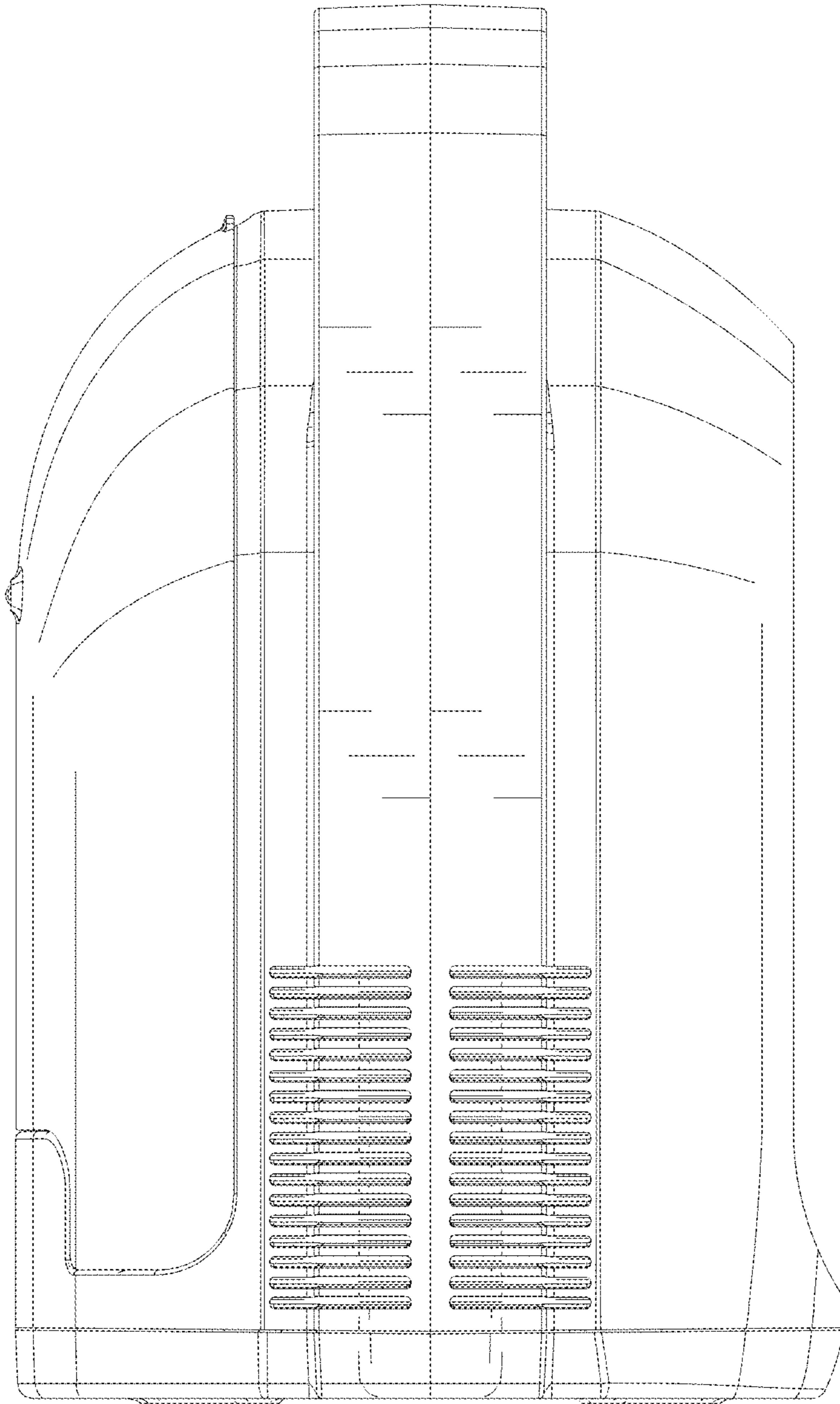
F I G . 2



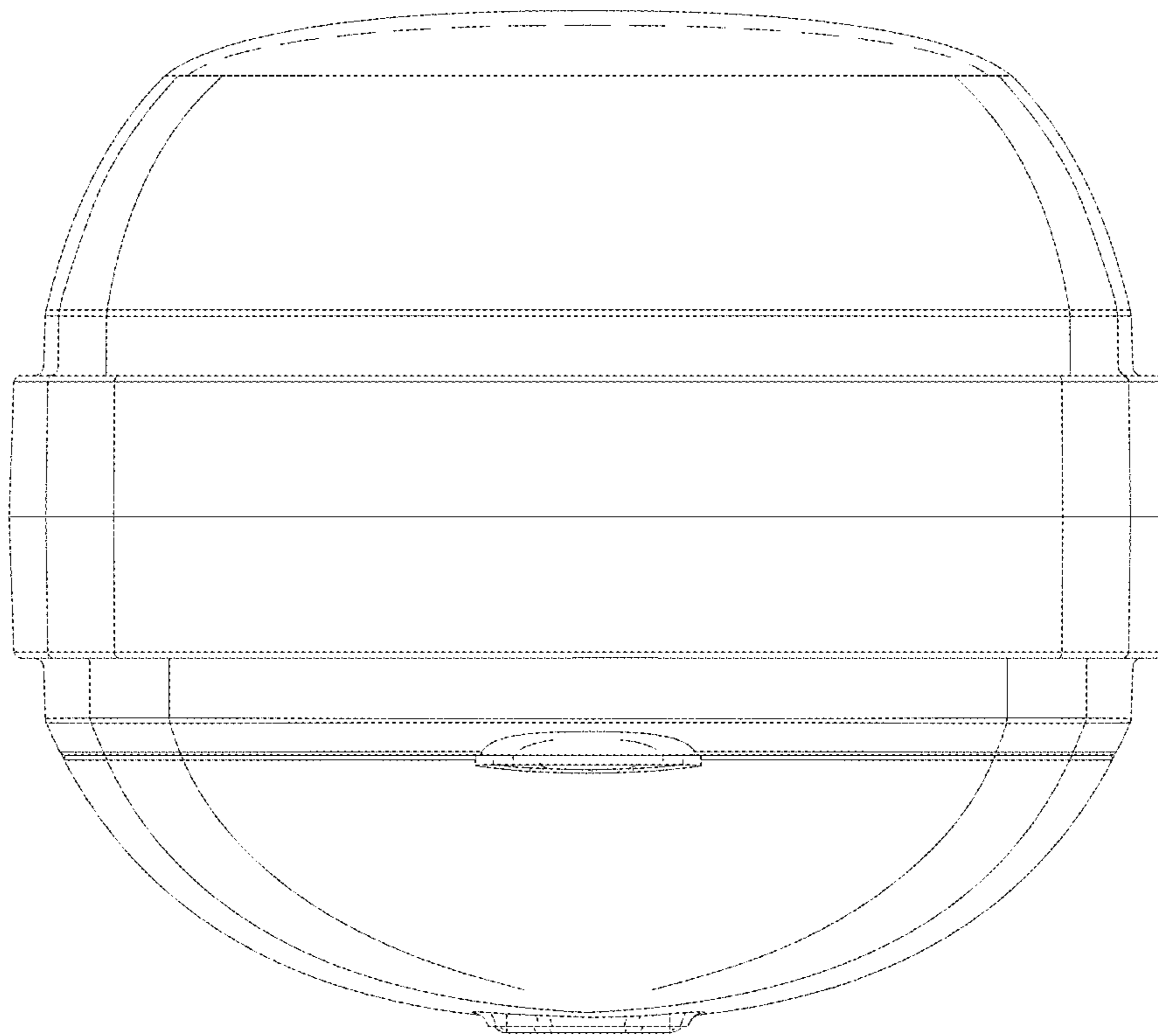
F I G. 3



F I G . 4



F I G. 5



F I G. 6

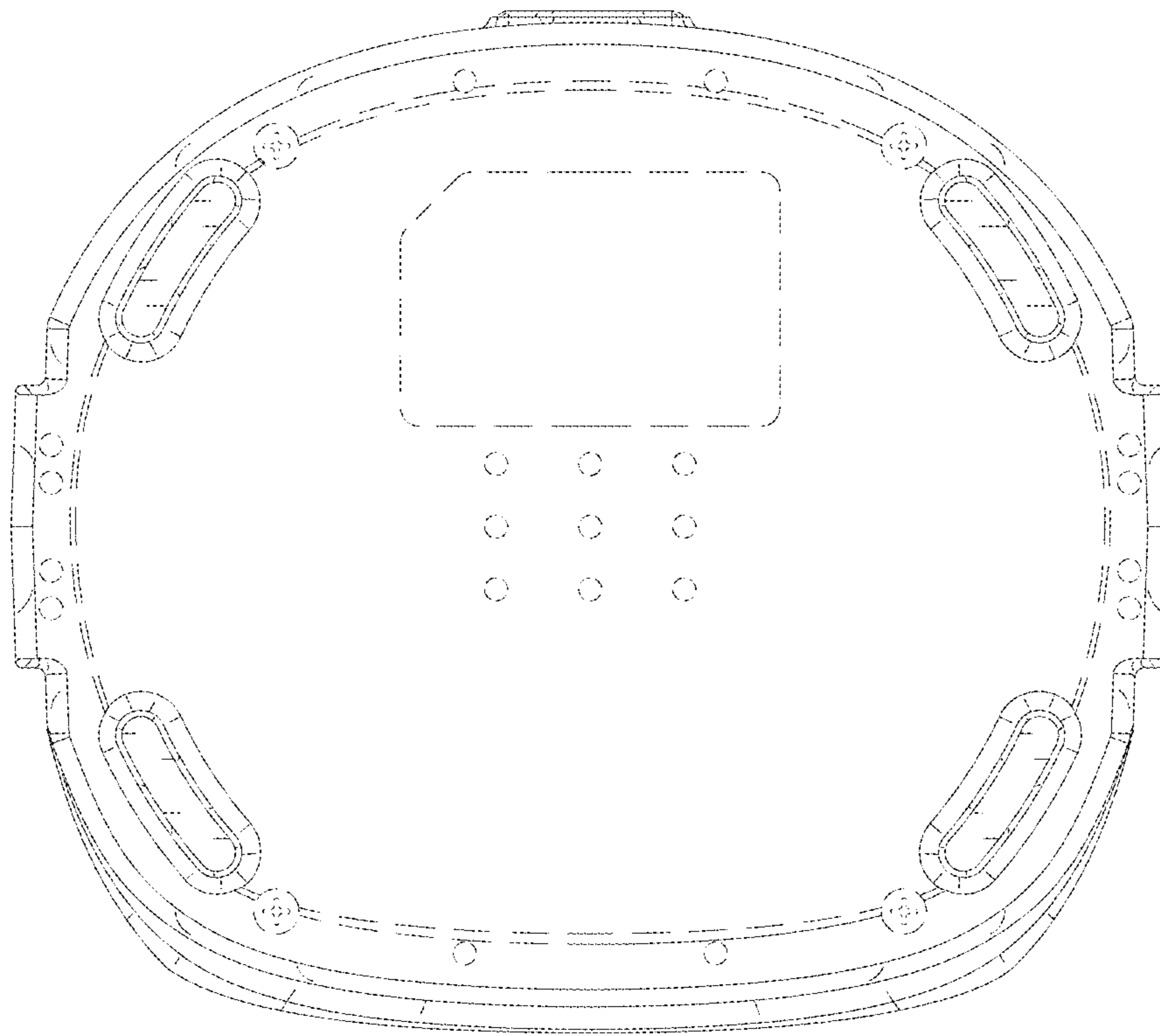
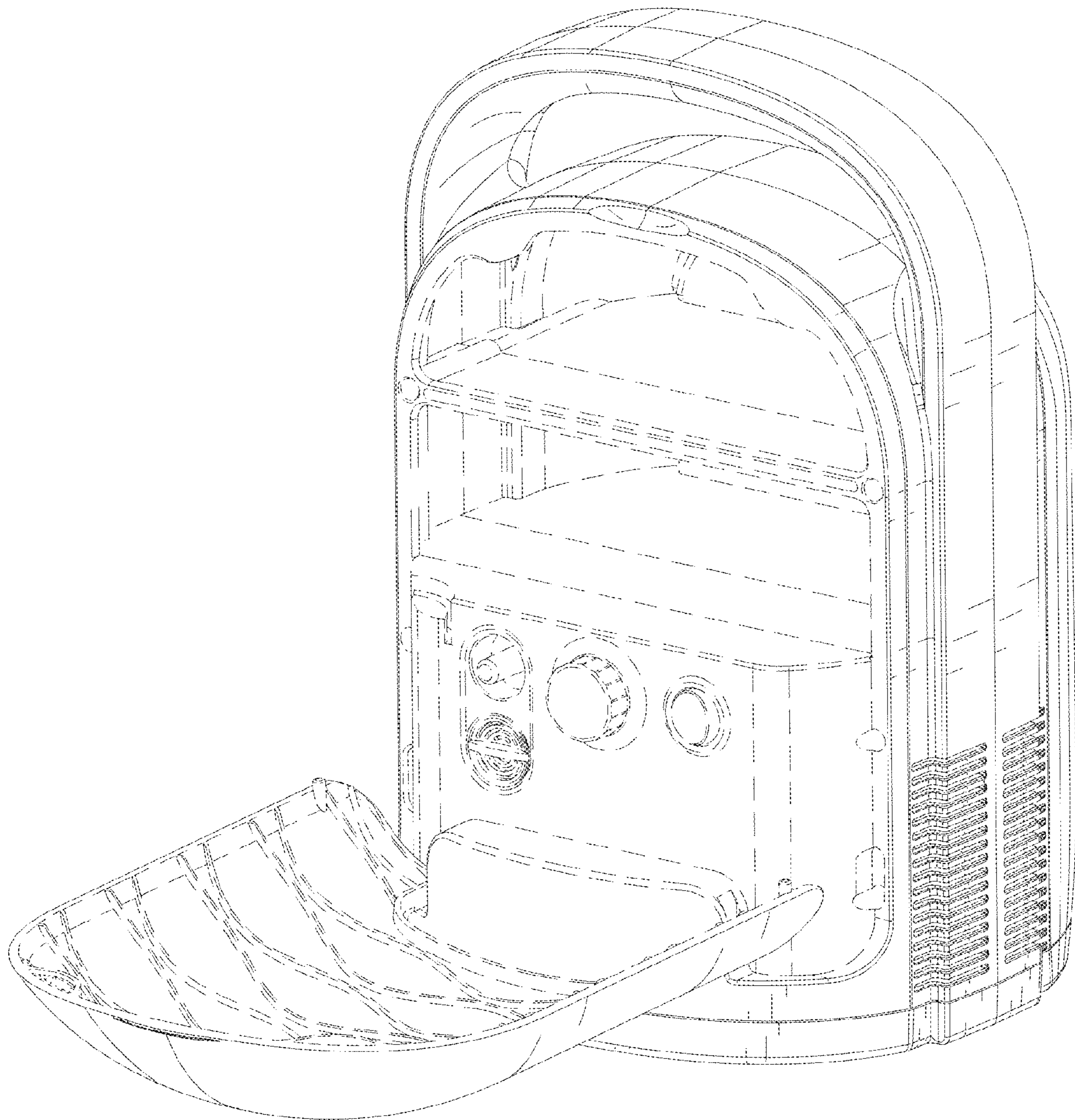


FIG. 7



F I G . 8