



US00D977625S

(12) **United States Design Patent**
Mason et al.

(10) **Patent No.:** **US D977,625 S**
(45) **Date of Patent:** **** Feb. 7, 2023**

- (54) **BREAST PUMP**
- (71) Applicant: **WILLOW INNOVATIONS, INC.**,
Mountain View, CA (US)
- (72) Inventors: **Brian Mason**, Menlo Park, CA (US);
John Chang, Los Altos, CA (US);
Joshua Makower, Los Altos Hills, CA
(US)
- (73) Assignee: **Willow Innovations, Inc.**, Mountain
View, CA (US)
- (**) Term: **15 Years**
- (21) Appl. No.: **29/664,908**
- (22) Filed: **Sep. 28, 2018**

4,270,538 A * 6/1981 Murphy A61M 1/064
450/37
D496,723 S * 9/2004 Myers D24/109
D496,725 S * 9/2004 Myers D24/109
D540,939 S * 4/2007 Pukall D24/109
D565,174 S * 3/2008 Pukall D24/109
D581,416 S * 11/2008 Simonian D14/402
D628,301 S * 11/2010 Olshansky D24/194

(Continued)

FOREIGN PATENT DOCUMENTS

CN 303021242 * 12/2014
CN 304947324 * 12/2018

(Continued)

OTHER PUBLICATIONS

“Willow Smart Breast Pump: Hands On”, posted by Engadget.
Youtube. Posting date: Jan. 5, 2017. Retrieval date: Nov. 15, 2021.
Retrieved from internet: <https://www.youtube.com/watch?v=GHvD6kv73GQ> (Year: 2017).*

Primary Examiner — Mary Shannon Malley
Assistant Examiner — Lee D. Starr

(57) **CLAIM**

The ornamental design for a breast pump, as shown and described.

DESCRIPTION

FIG. 1 is a front perspective view of a breast pump showing our new design;
FIG. 2 is a top view thereof;
FIG. 3 is a bottom view thereof;
FIG. 4 is a right side view thereof;
FIG. 5 is a left side view thereof;
FIG. 6 is a front view thereof; and,
FIG. 7 is a rear view thereof.
The dash-dash broken lines in the drawings depict portions of the breast pump that form no part of the claimed design.

1 Claim, 5 Drawing Sheets

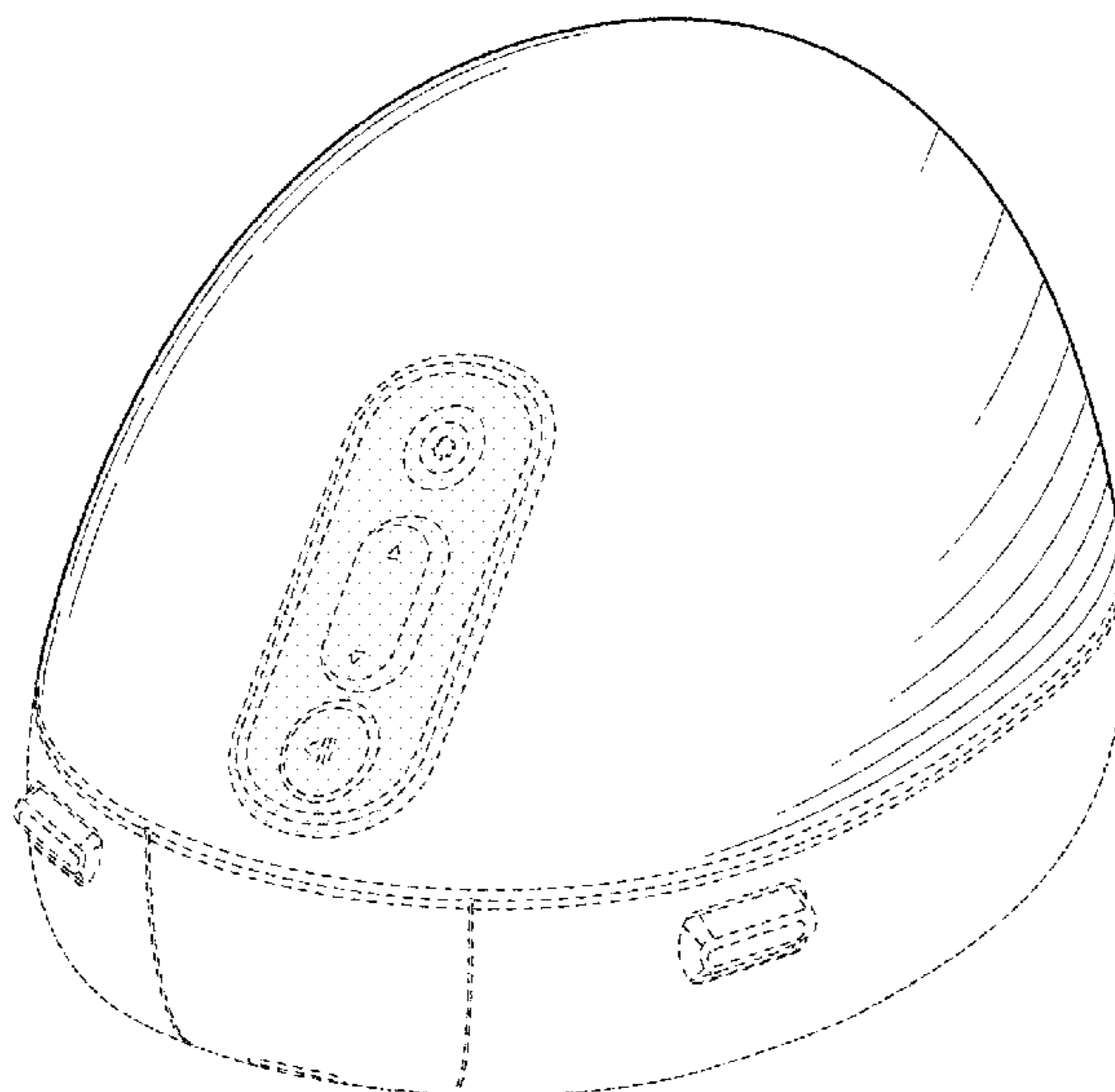
Related U.S. Application Data

- (63) Continuation of application No. 29/632,106, filed on Jan. 5, 2018, now Pat. No. Des. 832,995, which is a continuation of application No. 29/554,291, filed on Feb. 10, 2016, now Pat. No. Des. 809,646.
- (51) **LOC (14) Cl.** **24-02**
- (52) **U.S. Cl.**
USPC **D24/109**
- (58) **Field of Classification Search**
USPC D24/107, 108, 109, 121, 193–198;
D23/356
CPC A61M 1/06; A61M 1/062; A61M 1/064;
A61M 1/066; A61M 1/067; A61M 1/068;
A61J 9/00; A61J 9/01
See application file for complete search history.

(56) **References Cited**

U.S. PATENT DOCUMENTS

3,840,012 A * 10/1974 Rushton, Jr. A61M 1/062
604/346
D246,729 S * 12/1977 Murphy D24/109



(56)

References Cited

U.S. PATENT DOCUMENTS

D683,843 S * 6/2013 Cudworth D24/109
 D744,086 S * 11/2015 Yamashita D24/109
 9,830,005 B2 * 11/2017 Sakaguchi G06F 3/015
 D809,646 S * 2/2018 Mason D24/109
 D814,017 S * 3/2018 Muther D24/109
 D828,542 S * 9/2018 Mason D24/109
 D832,995 S * 11/2018 Mason D24/109
 D871,410 S * 12/2019 Norwalk D14/402
 11,185,619 B2 * 11/2021 Chang A61M 1/06
 D939,718 S * 12/2021 Zhang D24/198
 11,376,352 B2 * 7/2022 O'Toole A61M 1/066
 2002/0193731 A1 * 12/2002 Myers A61M 1/062
 604/74
 2005/0080376 A1 * 4/2005 Myers A61M 1/06
 604/74
 2007/0161947 A1 * 7/2007 Pfenniger A61M 1/06
 604/74
 2007/0219486 A1 * 9/2007 Myers A61M 1/064
 604/74
 2008/0275386 A1 * 11/2008 Myers A61M 1/81
 604/74
 2009/0030368 A1 * 1/2009 Silver A61J 13/00
 604/74

2014/0052056 A1 * 2/2014 Garbez A61M 1/064
 604/74
 2015/0217033 A1 * 8/2015 Pollen A61M 1/064
 604/74
 2016/0206794 A1 * 7/2016 Makower A61M 1/064
 2017/0072118 A1 * 3/2017 Makower A61M 1/062
 2017/0173232 A1 * 6/2017 Chang A61M 1/74
 2018/0008758 A1 * 1/2018 Garbez A61M 1/06
 2018/0104396 A1 * 4/2018 Park A61M 1/062
 2018/0333523 A1 * 11/2018 Chang A61M 1/064
 2018/0339089 A1 * 11/2018 Chang A61M 1/062
 2018/0361040 A1 * 12/2018 O'Toole A61M 1/066
 2021/0030934 A1 * 2/2021 Zhang A61M 1/06
 2021/0060220 A1 * 3/2021 Chang A61M 1/06
 2021/0071770 A1 * 3/2021 Mason A61M 1/062
 2021/0077673 A1 * 3/2021 Mason A61M 1/062
 2021/0093761 A1 * 4/2021 Hwang A61M 39/10
 2021/0196872 A1 * 7/2021 Chang A61M 1/062
 2021/0393861 A1 * 12/2021 Mathew A61M 1/06935

FOREIGN PATENT DOCUMENTS

CN 305292985 * 8/2019
 EM 002461079-0001 * 5/2014
 EM 003336098-0001 * 8/2016
 EM 005292703-0001 * 6/2018
 RU 00067575 * 8/2008

* cited by examiner

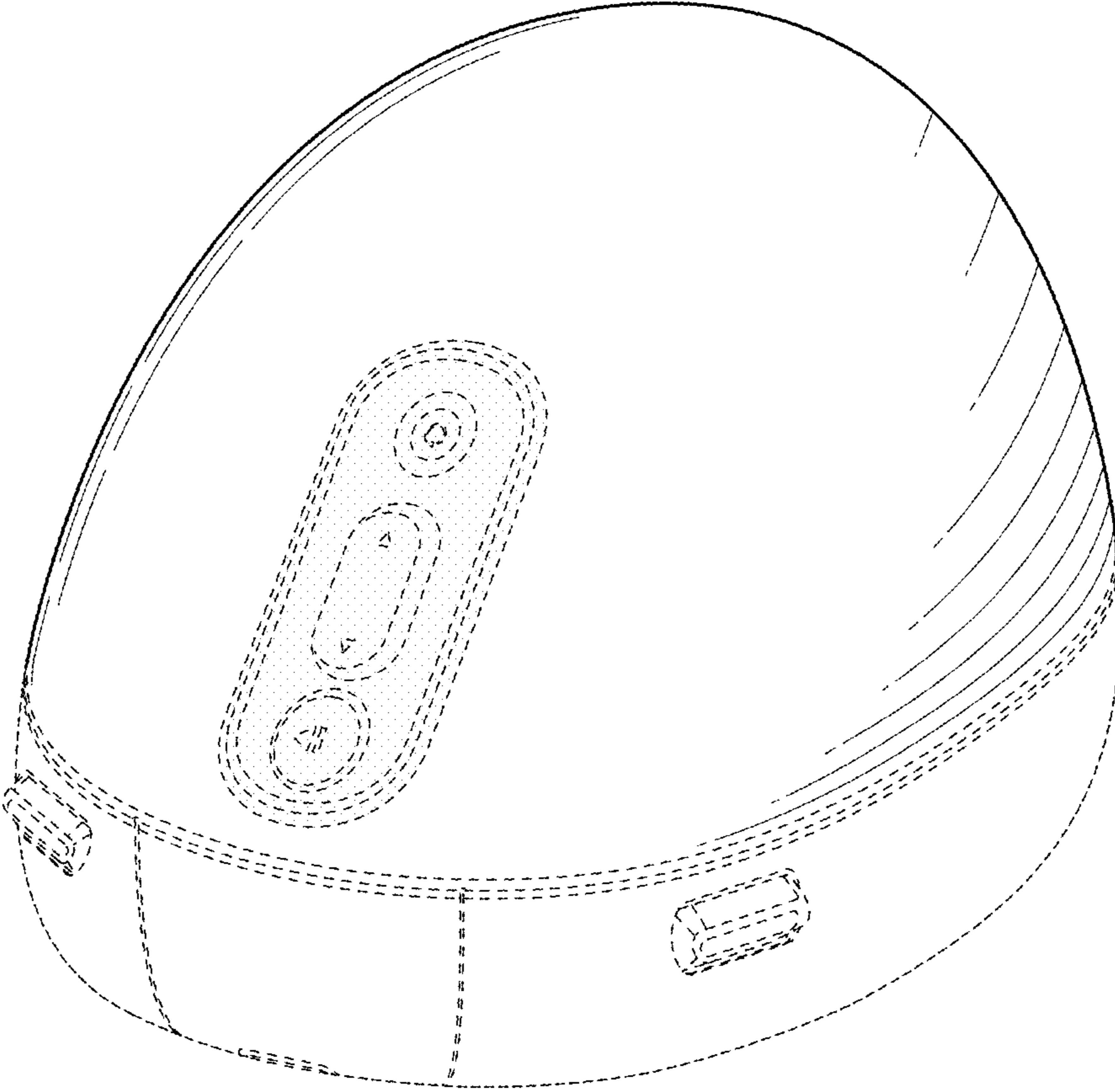


FIG. 1

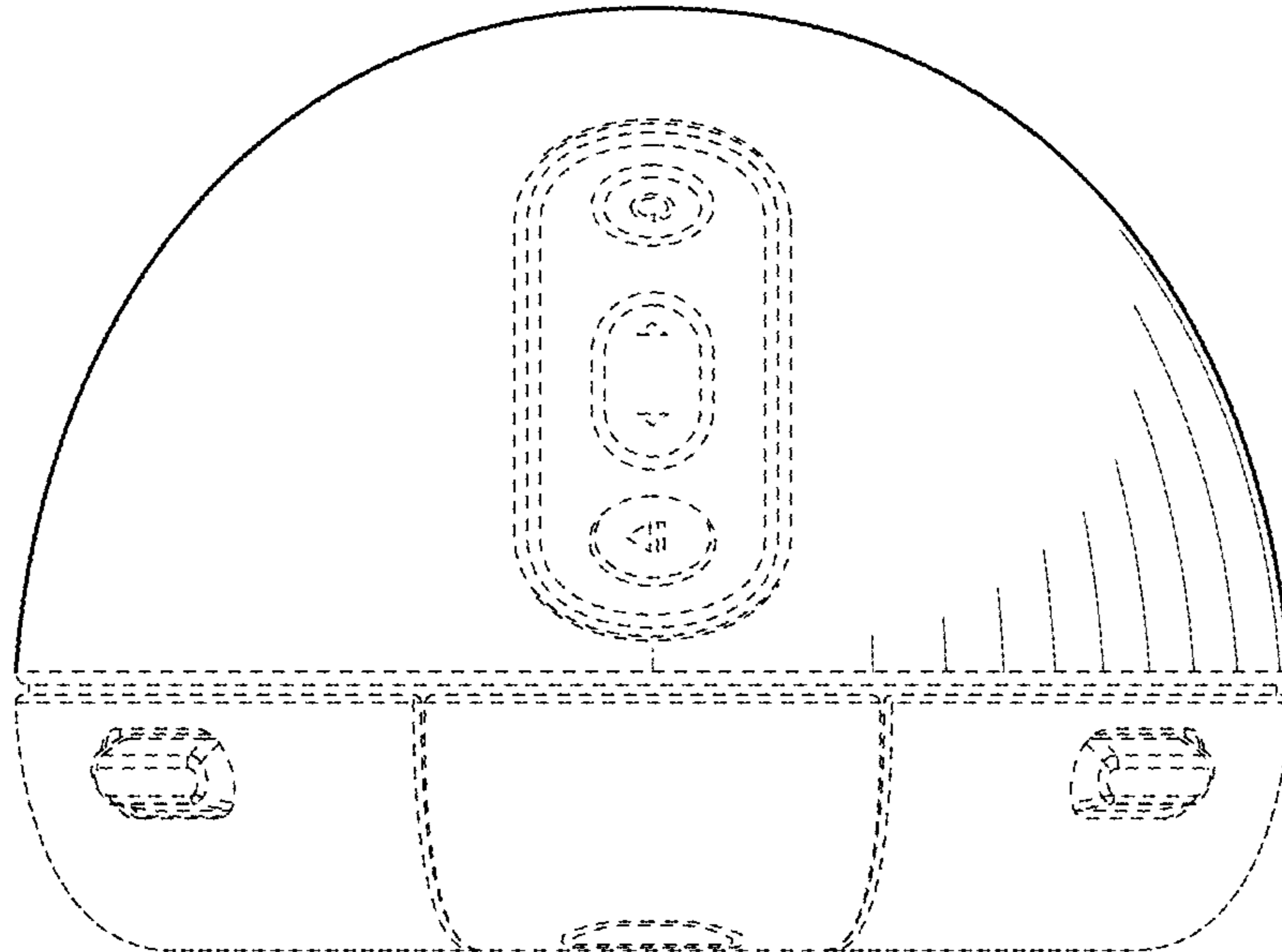


FIG. 2

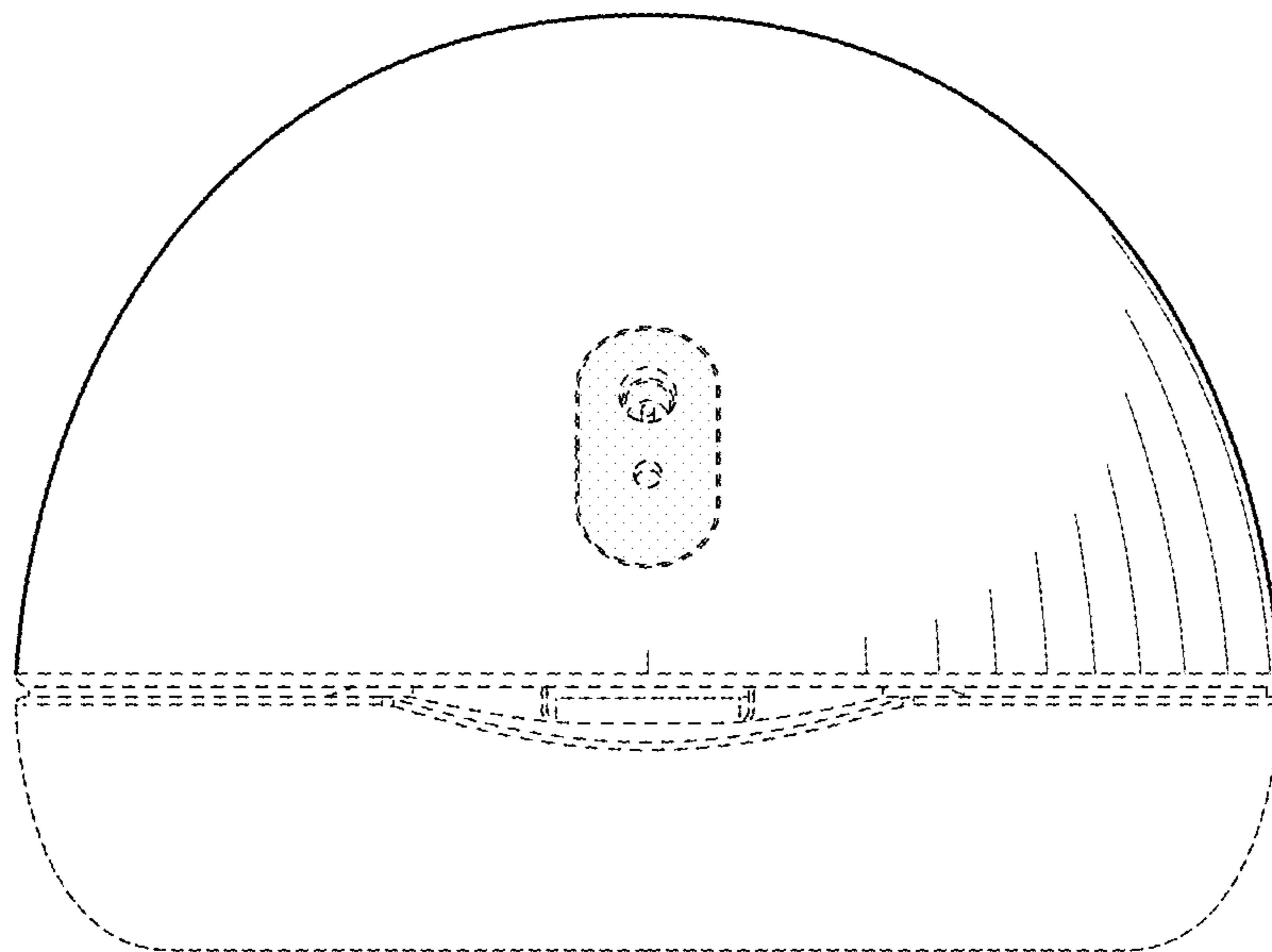


FIG. 3

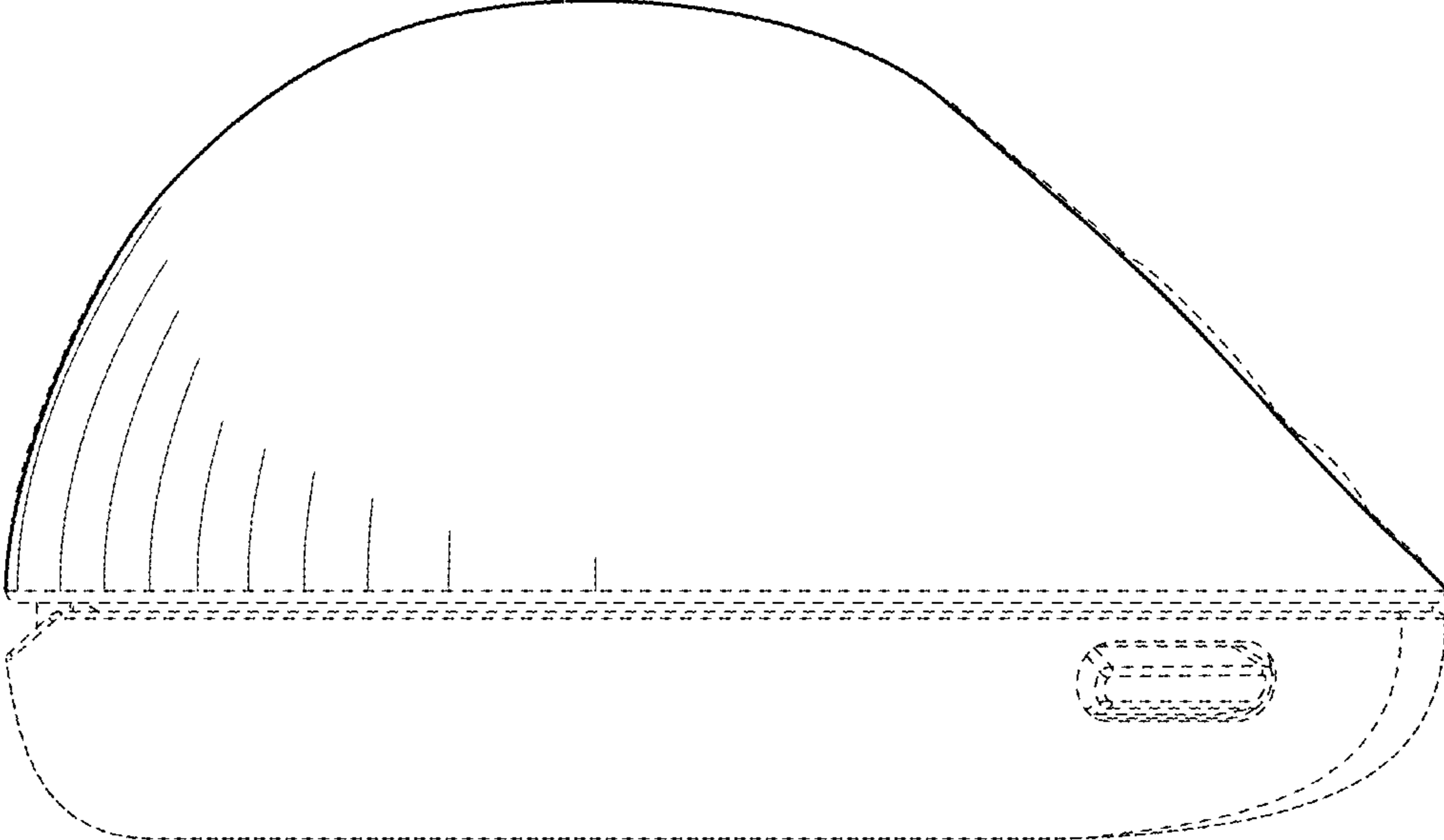


FIG. 4

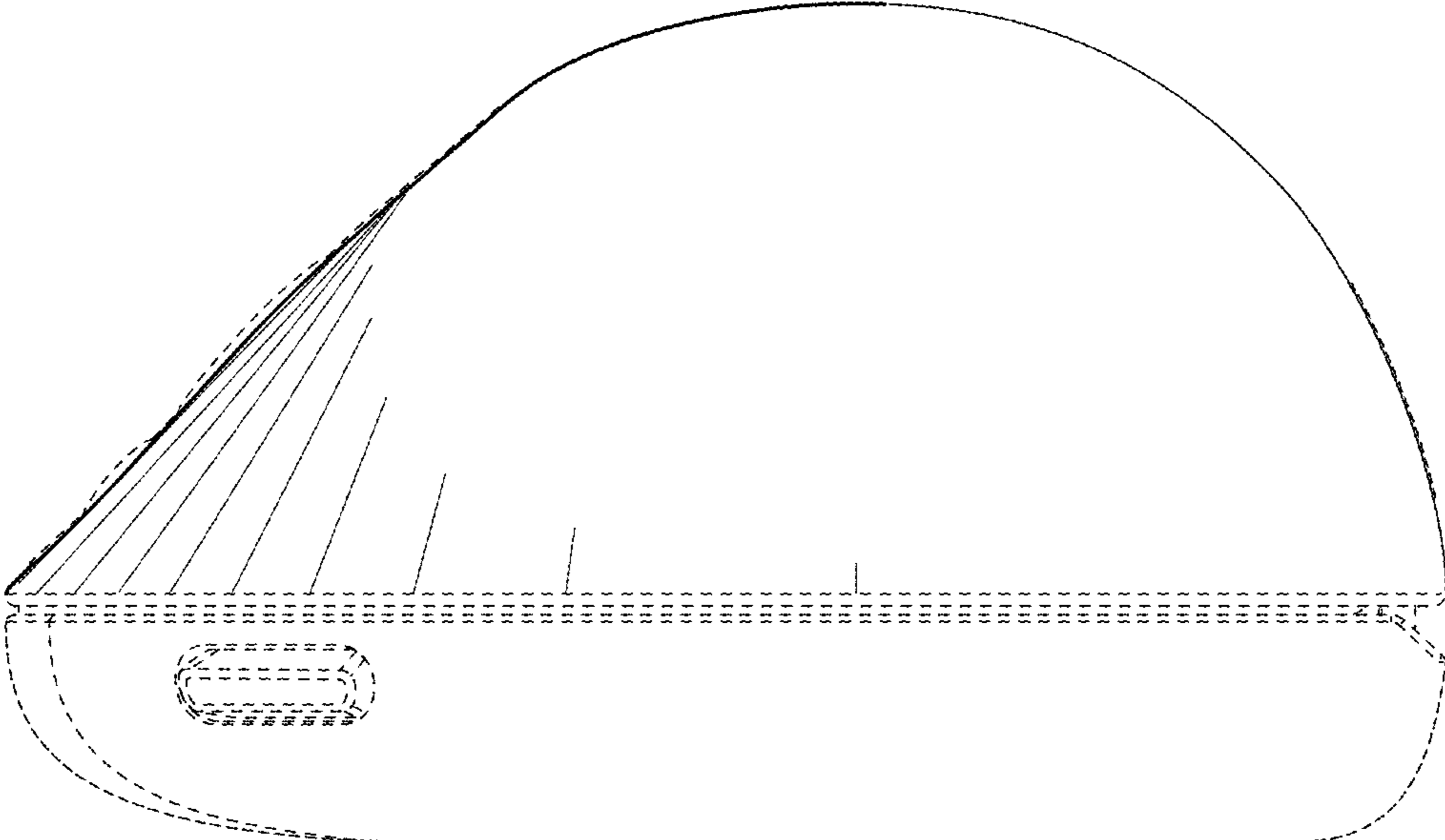


FIG. 5

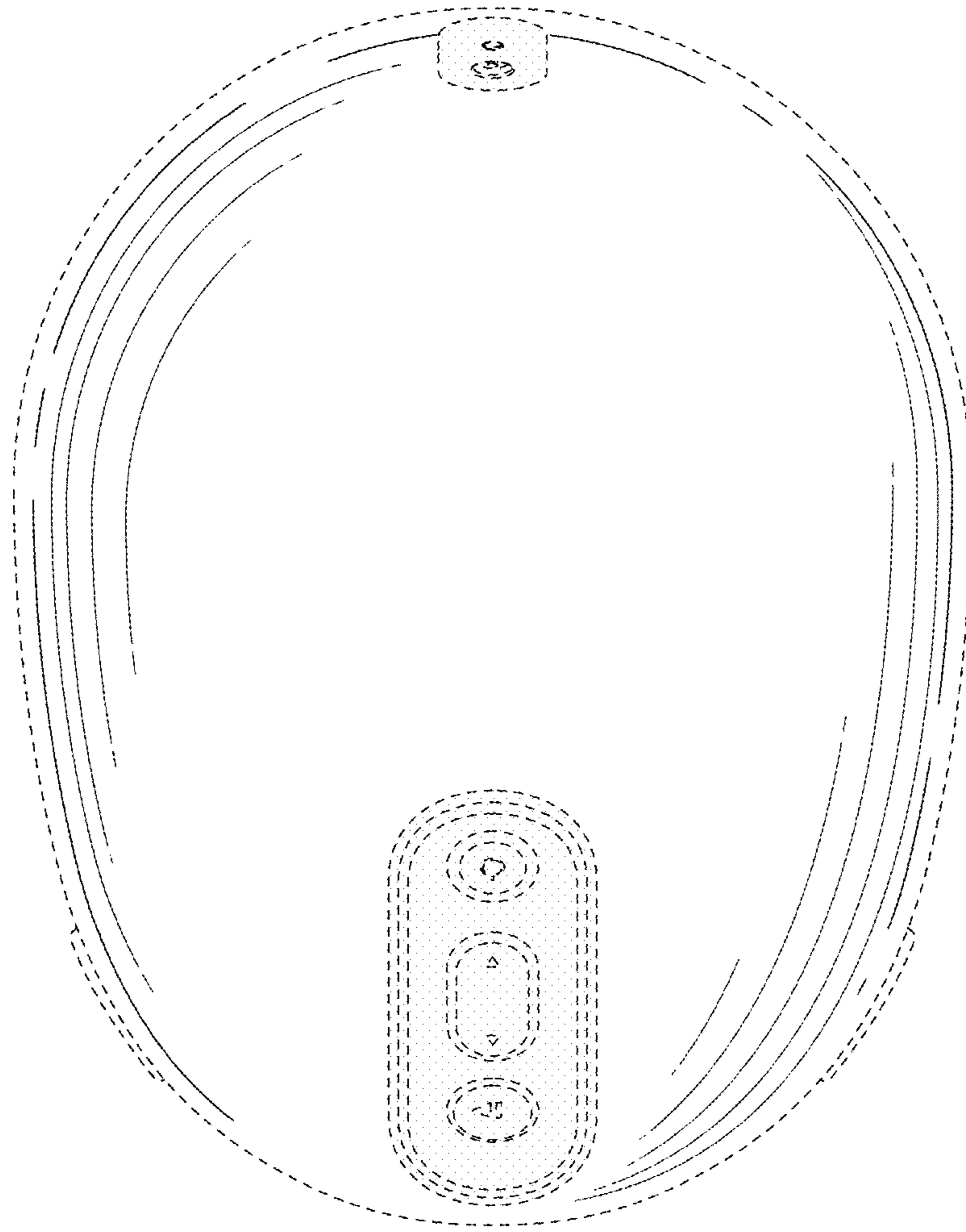


FIG. 6

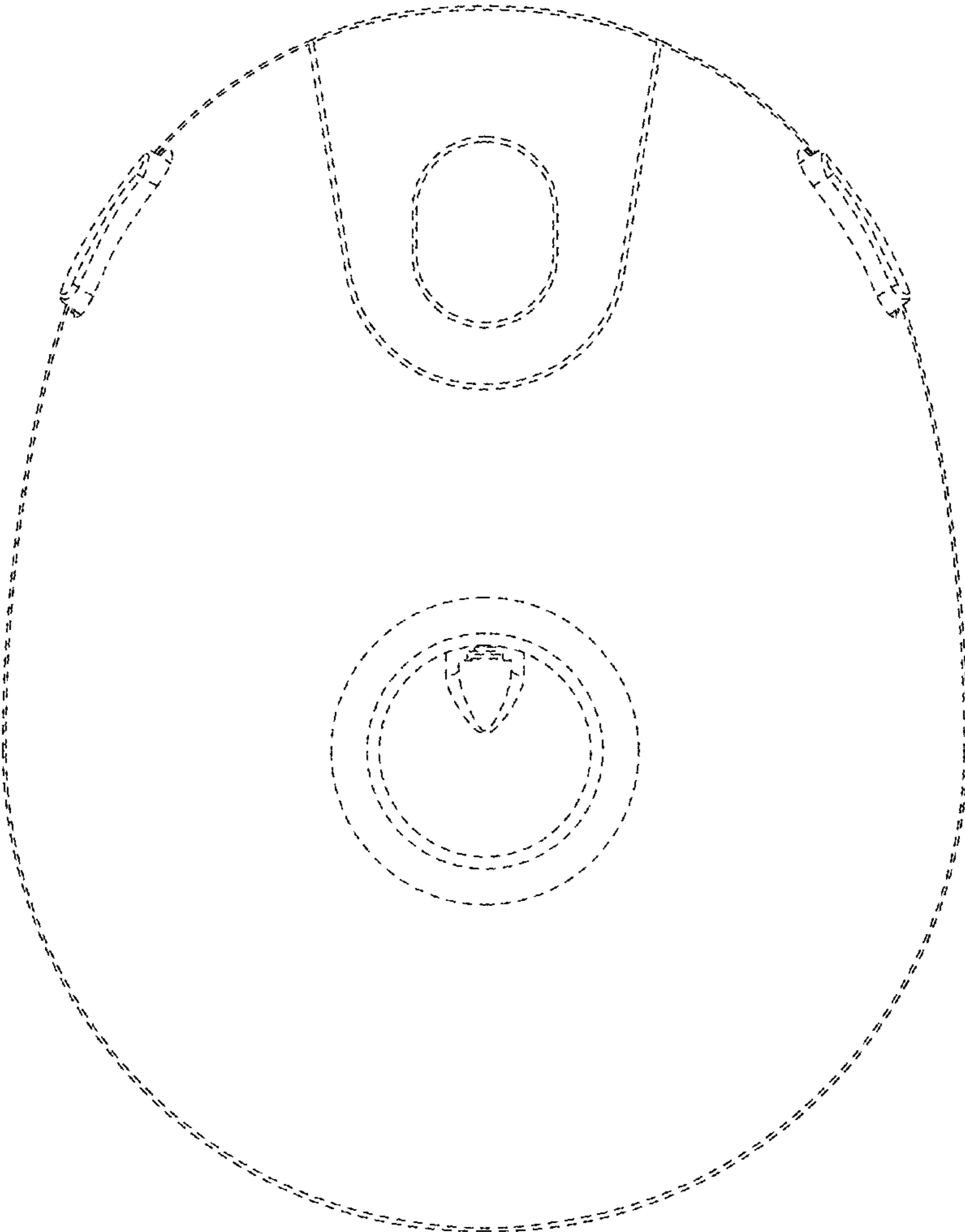


FIG. 7