



US00D977622S

(12) **United States Design Patent**
Fan

(10) **Patent No.:** **US D977,622 S**

(45) **Date of Patent:** **** Feb. 7, 2023**

(54) **CLIP-ON FAN**

(71) Applicant: **Xiaobo Fan, Ji'an (CN)**

(72) Inventor: **Xiaobo Fan, Ji'an (CN)**

(73) Assignee: **Xiaobo Fan, Ji'an (CN)**

(**) Term: **15 Years**

(21) Appl. No.: **29/842,662**

(22) Filed: **Jun. 15, 2022**

(30) **Foreign Application Priority Data**

Apr. 19, 2022 (CN) 202230222113.1

(51) **LOC (14) Cl.** **23-04**

(52) **U.S. Cl.**
USPC **D23/382**

(58) **Field of Classification Search**
USPC D23/370, 378, 381-382, 411-412
CPC F04D 25/08; F04D 29/646
See application file for complete search history.

(56) **References Cited**

U.S. PATENT DOCUMENTS

D295,070	S	*	4/1988	Shin-Chin	D23/382
4,799,858	A	*	1/1989	Shin-Chin	F16M 11/2014
						416/246
5,547,343	A	*	8/1996	Jane	F04D 29/601
						416/246
5,725,356	A	*	3/1998	Carter	F16M 11/40
						D23/382
D416,321	S	*	11/1999	Jane	D23/382
D441,444	S	*	5/2001	Shapiro	D23/382
6,886,270	B2	*	5/2005	Gilmer	F04D 29/601
						34/239
D669,976	S	*	10/2012	Hsu	D23/382
D770,033	S	*	10/2016	Ksiazek	D8/395
D799,022	S	*	10/2017	Ksiazek	D8/395
D818,109	S	*	5/2018	Junkel	D23/382

D865,937	S	*	11/2019	Lin	D23/382
D884,868	S	*	5/2020	Chen	D23/382
D890,912	S	*	7/2020	Ma	D23/382
D898,180	S	*	10/2020	Du	D23/382
D902,374	S	*	11/2020	Li	D23/382
D948,702	S	*	4/2022	Ma	D23/382
D951,424	S	*	5/2022	Chen	D23/382
D952,829	S	*	5/2022	Ye	D23/382
D962,417	S	*	8/2022	Ye	D23/382
11,428,245	B2	*	8/2022	Luo	F04D 19/002
2020/0011338	A1	*	1/2020	Lin	F04D 25/105

OTHER PUBLICATIONS

Outerfan, Portable Fan with Remote Control, Amazon.com, Mar. 19, 2022. <<https://a.co/d/dyrhDW4>> (Year: 2022).*

Dilibird, Portable Clip on Fan, Amazon.com, Mar. 9, 2022. <<https://a.co/d/4HMWyxr>> (Year: 2022).*

* cited by examiner

Primary Examiner — Janice Hallmark

(74) *Attorney, Agent, or Firm* — Nitin Kaushik

(57) **CLAIM**

The ornamental design for a clip-on fan, as shown and described.

DESCRIPTION

FIG. 1 is a front perspective view of a clip-on fan, showing my new design;

FIG. 2 is a front view thereof;

FIG. 3 is a rear view thereof;

FIG. 4 is a left side view thereof;

FIG. 5 is a right side view thereof;

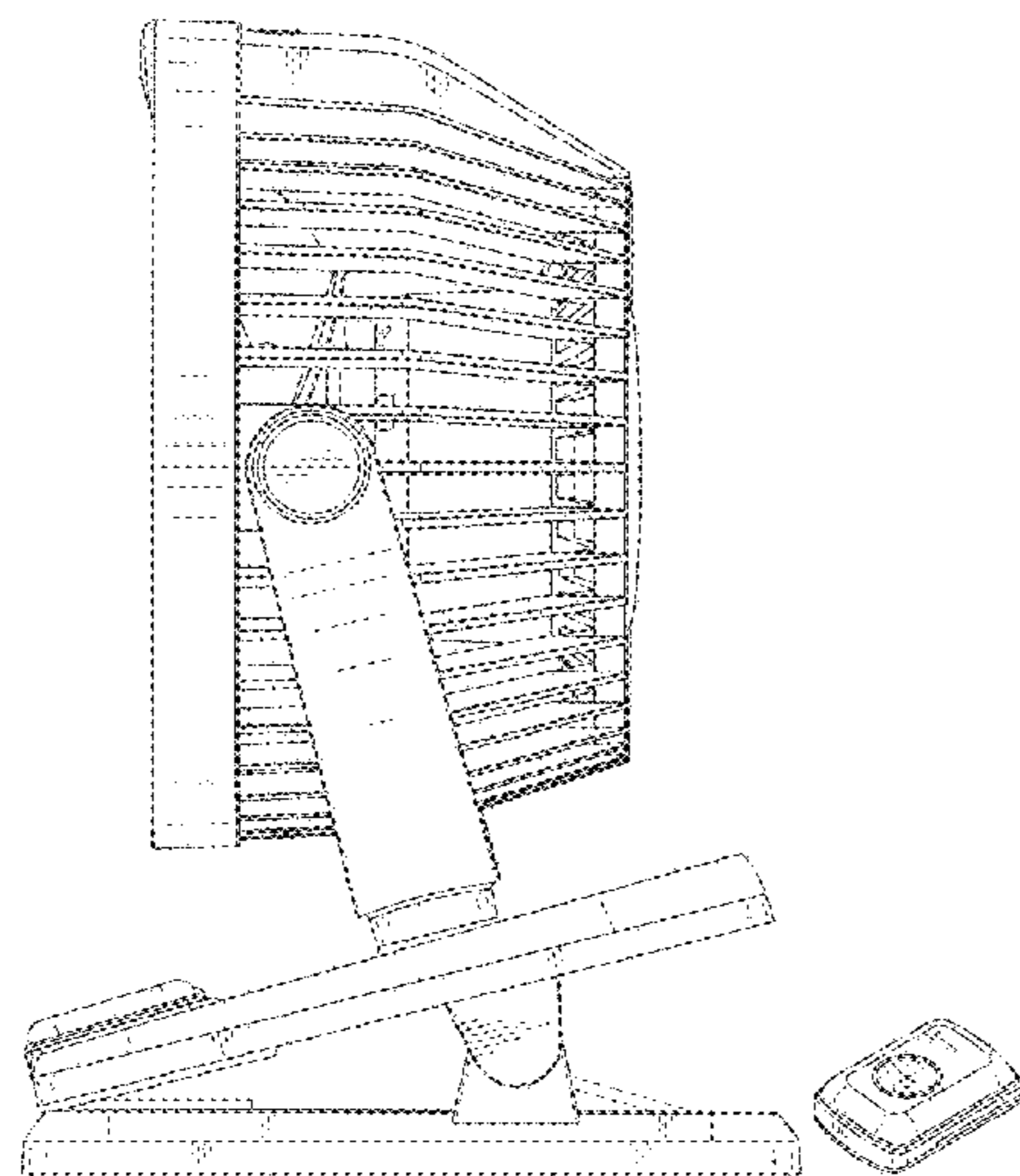
FIG. 6 is a top view thereof;

FIG. 7 is a bottom view thereof; and,

FIG. 8 is an exploded perspective view of the clip-on fan of FIG. 1 shown in a state of use.

The broken lines in the drawings illustrate the portions of the clip-on fan, which form no part of the claimed design.

1 Claim, 8 Drawing Sheets



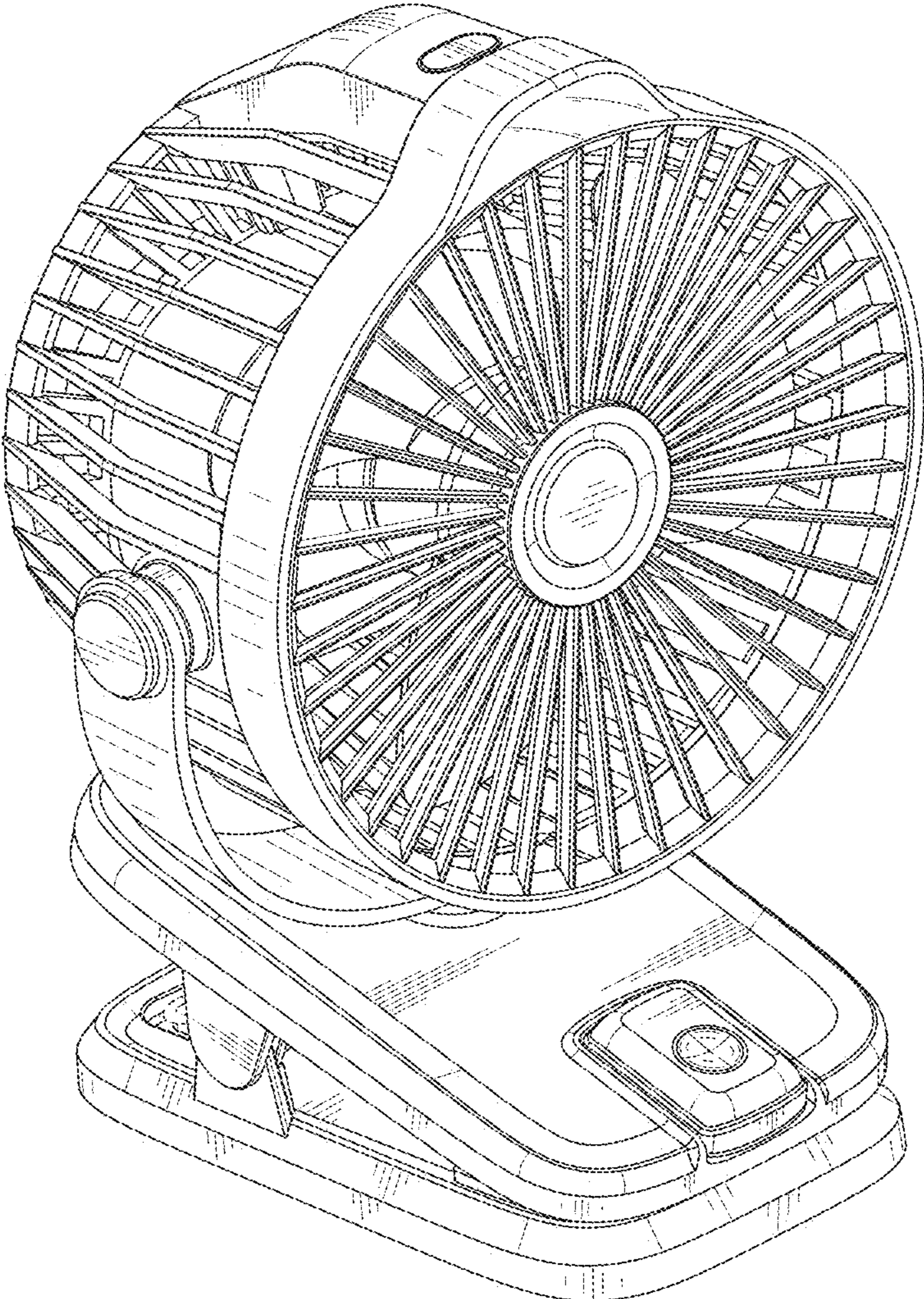


FIG. 1

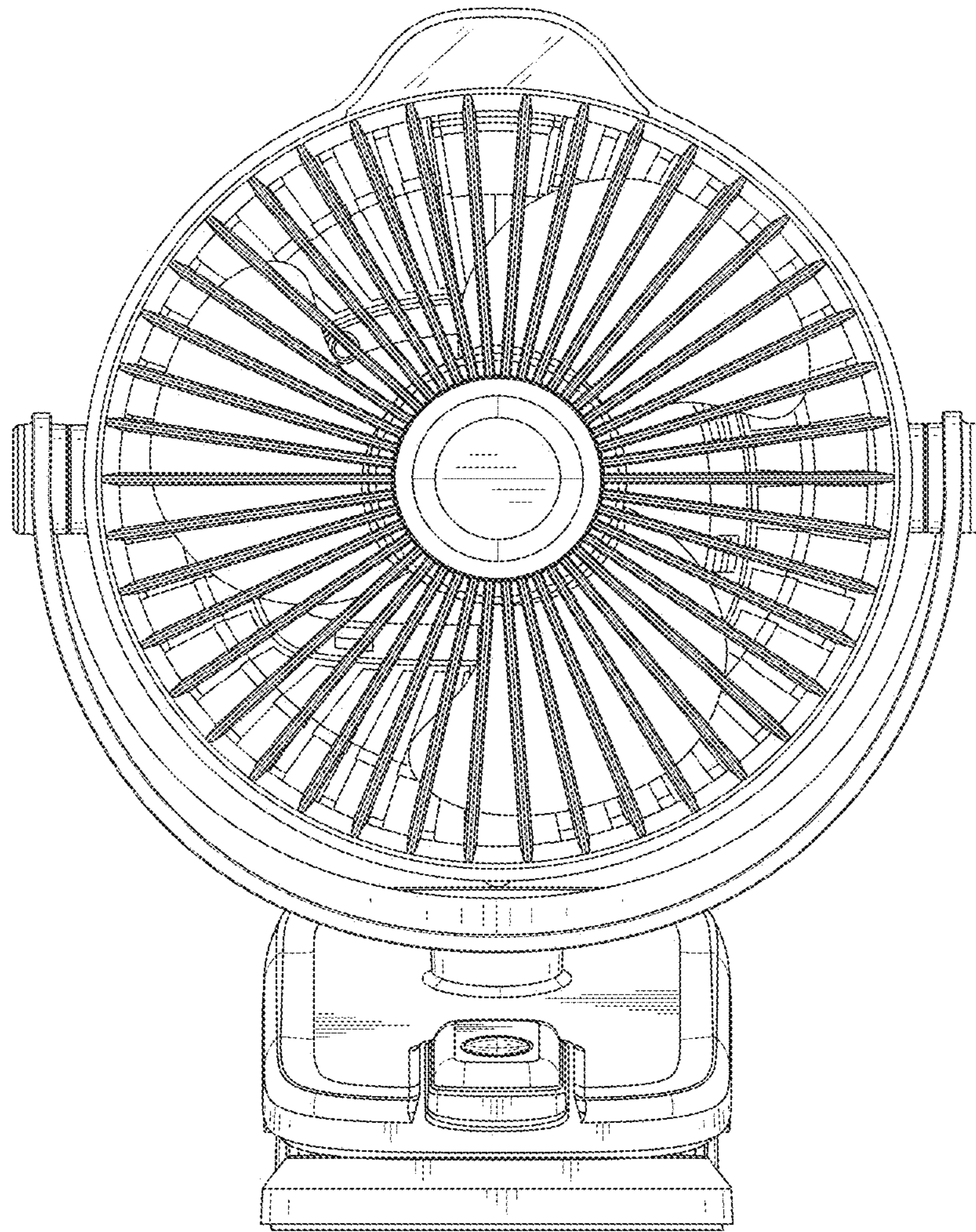


FIG. 2

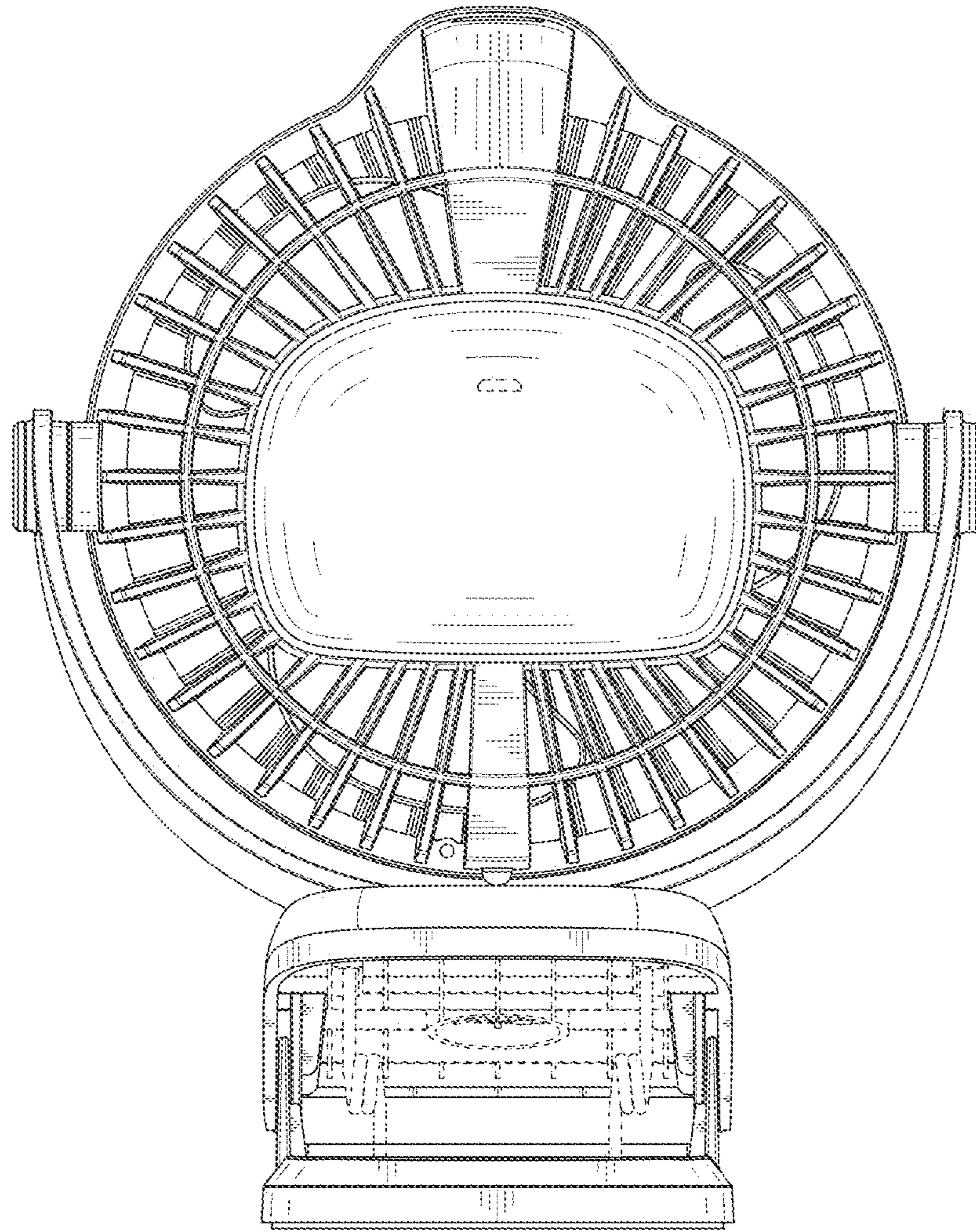


FIG. 3

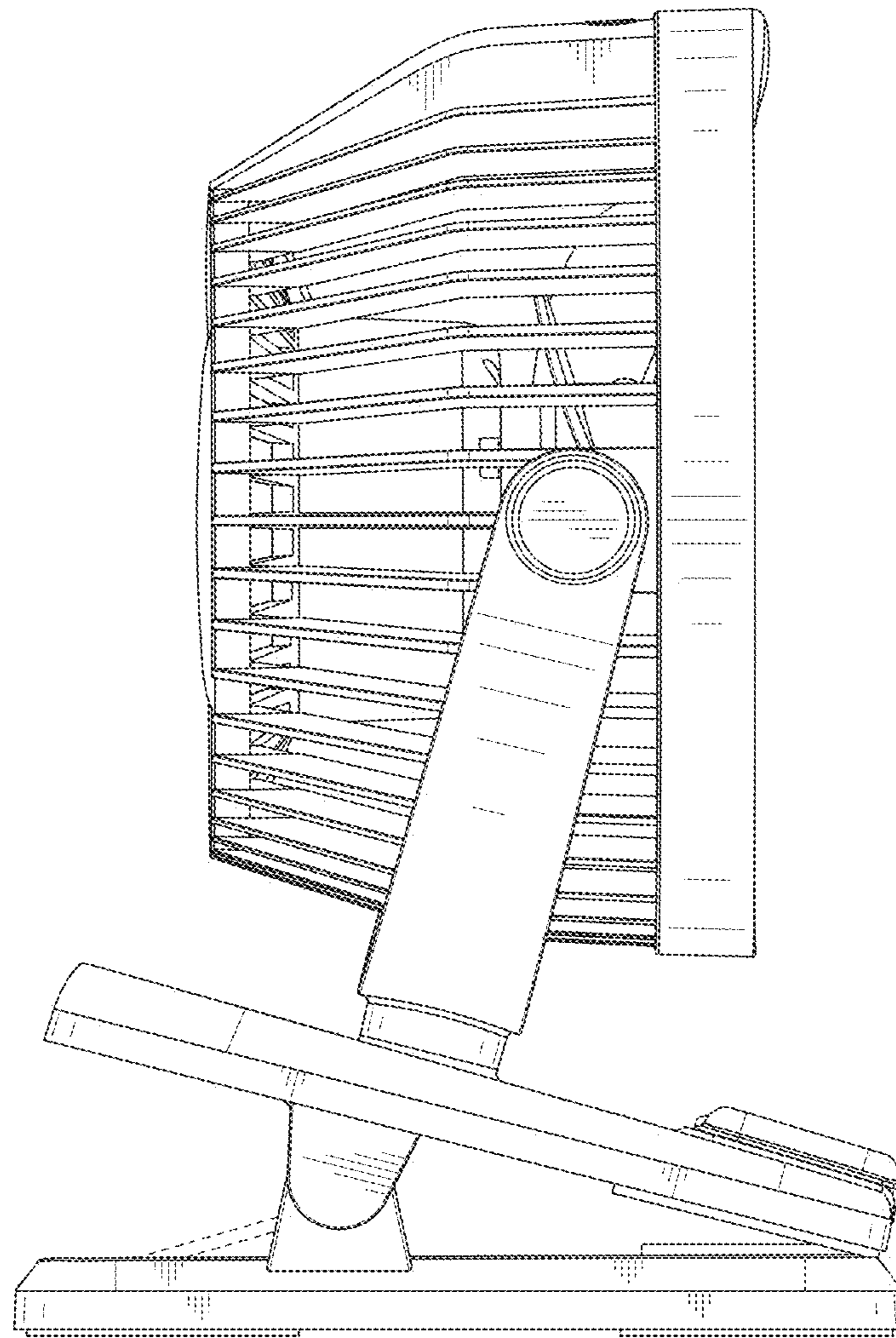


FIG. 4

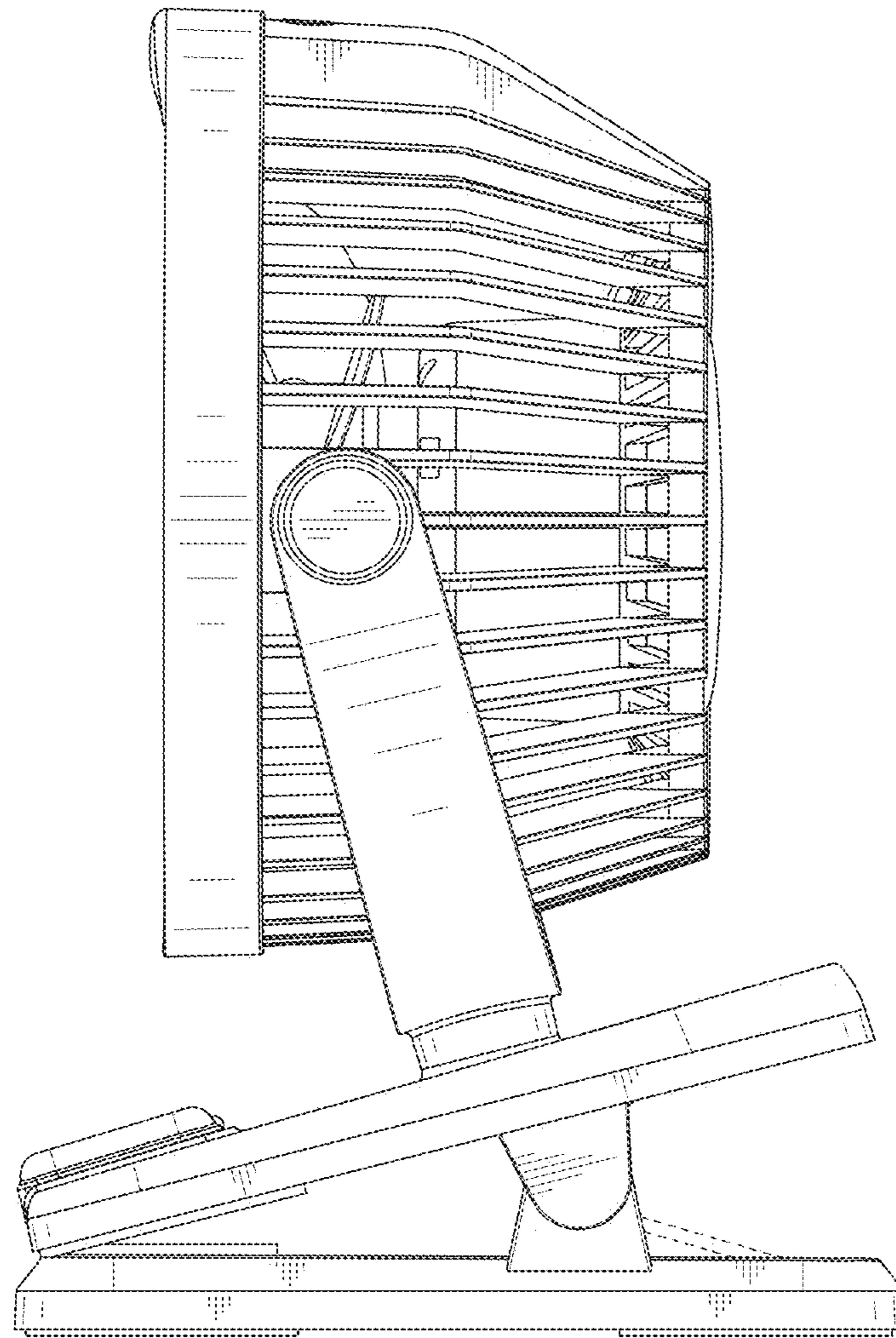


FIG. 5

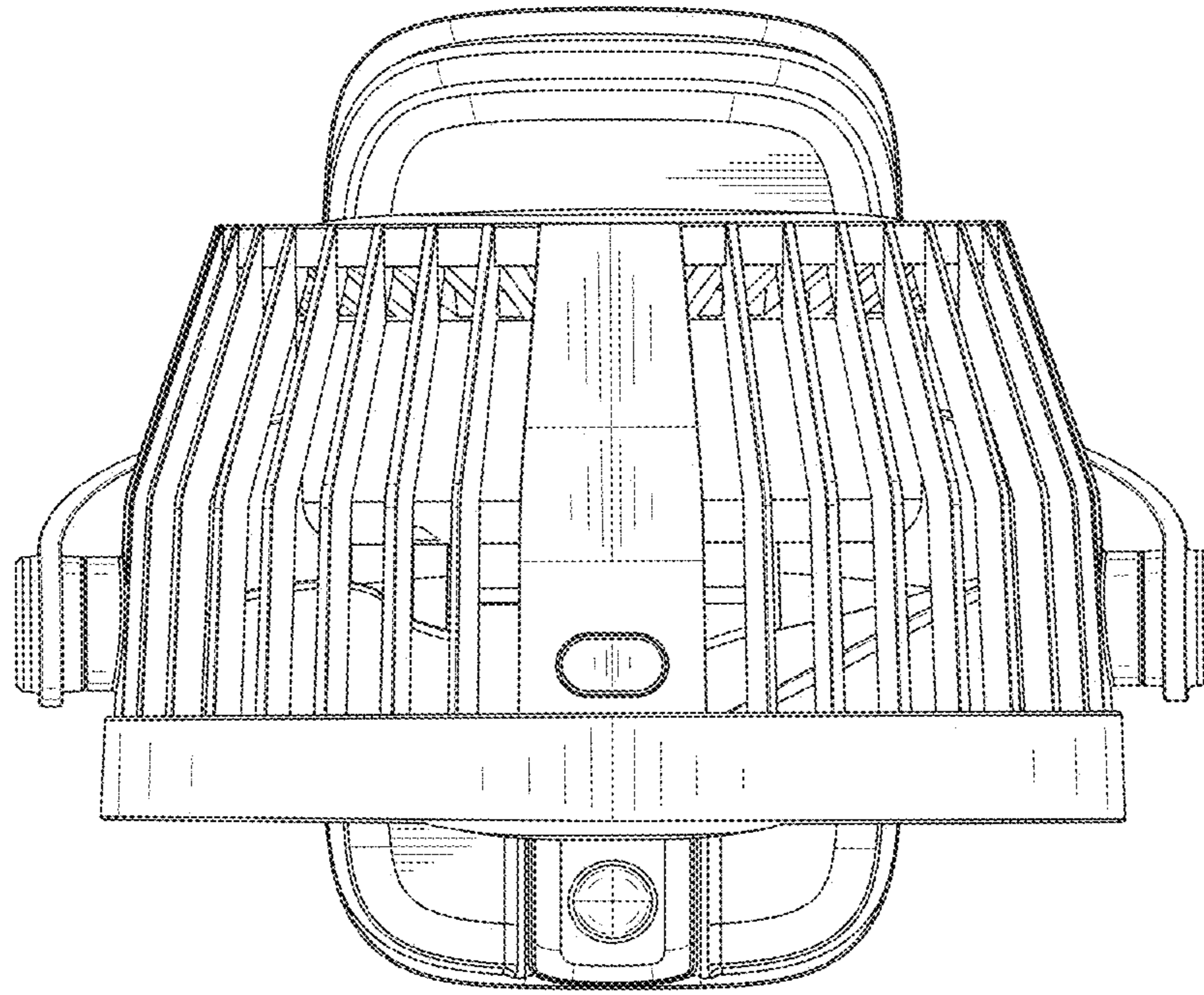


FIG. 6

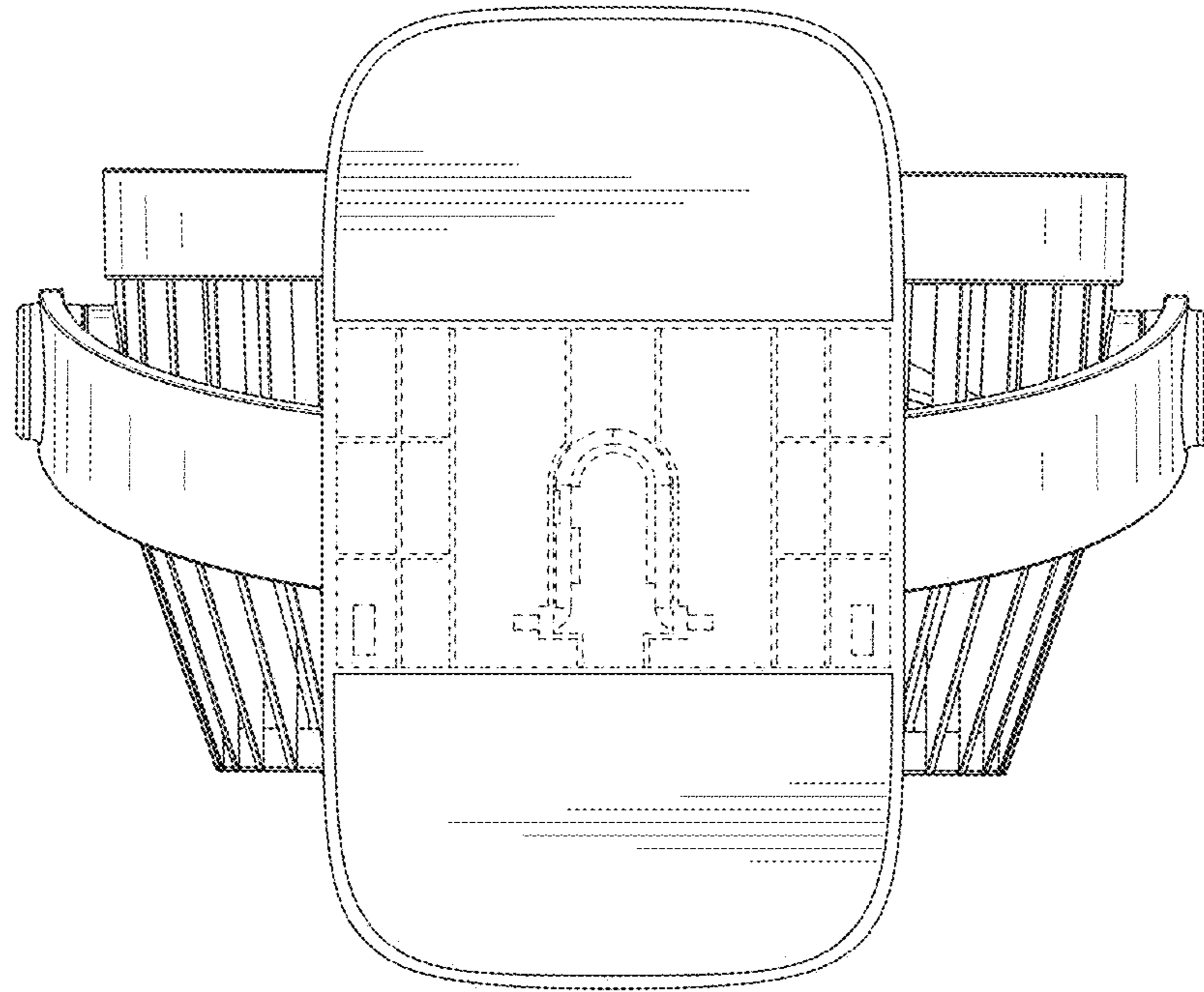


FIG. 7

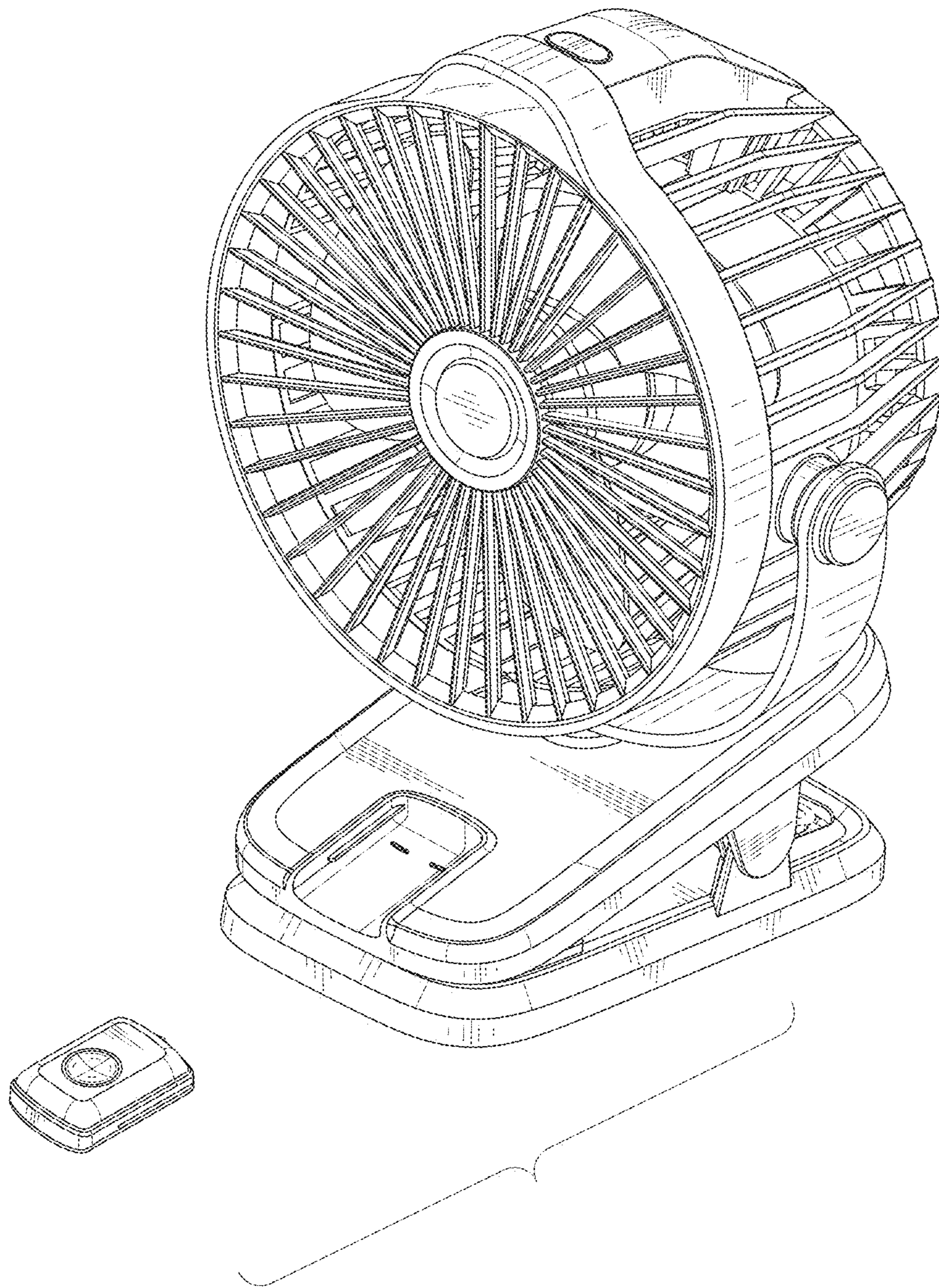


FIG. 8