

US00D977621S

(12) **United States Design Patent**  
**Gorali**

(10) **Patent No.:** **US D977,621 S**

(45) **Date of Patent:** **\*\* Feb. 7, 2023**

(54) **CEILING FAN**

(71) Applicant: **Yuval Shimon Gorali**, Tel Aviv (IL)

(72) Inventor: **Yuval Shimon Gorali**, Tel Aviv (IL)

(\*\*) Term: **15 Years**

(21) Appl. No.: **29/652,288**

(22) Filed: **Jul. 9, 2020**

(51) **LOC (14) Cl.** ..... **23-04**

(52) **U.S. Cl.**  
USPC ..... **D23/377**

(58) **Field of Classification Search**  
USPC ..... D23/370, 377, 379, 385, 411, 413;  
D26/59

CPC ..... F04D 25/088; F04D 29/38; F04D 29/384;  
F04D 29/386; F21V 33/0096

See application file for complete search history.

(56) **References Cited**

**U.S. PATENT DOCUMENTS**

D599,900 S *	9/2009	Chen	.....	D23/377
D706,410 S *	6/2014	Pan	.....	D23/411
D707,336 S *	6/2014	Pan	.....	D23/377
D759,799 S *	6/2016	Wang	.....	D23/385
D794,768 S *	8/2017	Wang	.....	D23/377

D795,410 S *	8/2017	Holmes	.....	D23/377
D872,252 S *	1/2020	McRoberts	.....	D23/377
D874,634 S *	2/2020	Haggar	.....	D23/377
D874,635 S *	2/2020	Holmes	.....	D23/377
D877,315 S *	3/2020	Pickett	.....	D23/411
D879,940 S *	3/2020	Orozco	.....	D23/411
D886,979 S *	6/2020	Gorali	.....	D23/377

\* cited by examiner

*Primary Examiner* — Sharon S Oum

(74) *Attorney, Agent, or Firm* — Vorys, Sater, Seymour and Pease LLP; Anthony P. Venturino; Maryellen Feehery Hank

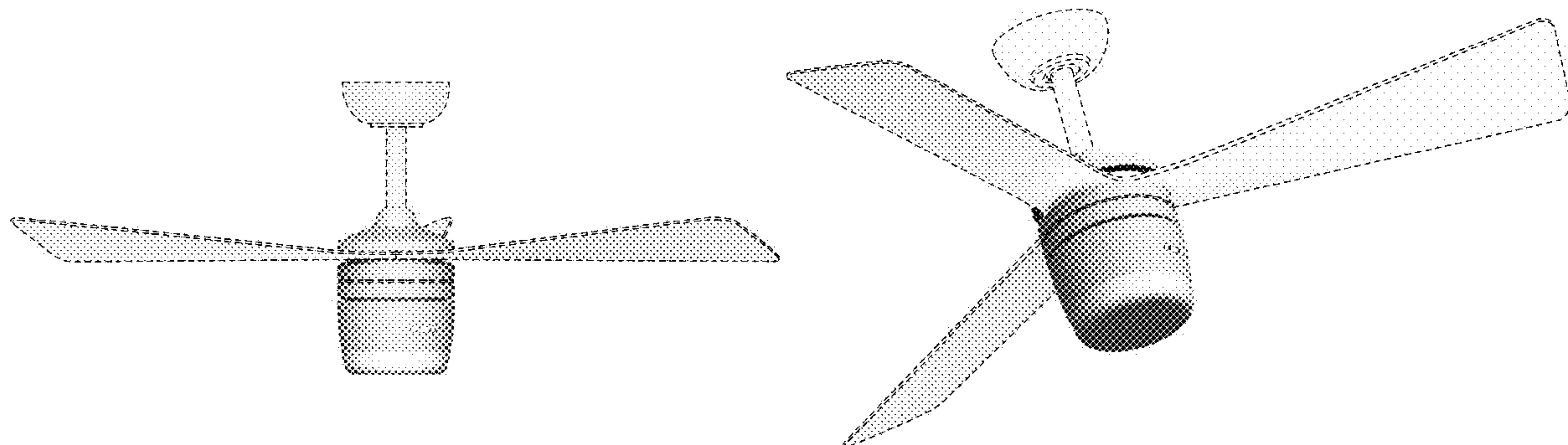
(57) **CLAIM**

The ornamental design for a ceiling fan, as shown and described.

**DESCRIPTION**

FIG. 1 is a front view of a ceiling fan;  
FIG. 2 is a left, bottom and front perspective view thereof;  
FIG. 3 is a top view thereof;  
FIG. 4 is a left, top and front perspective view thereof;  
FIG. 5 is a bottom view thereof; and,  
FIG. 6 is a right, bottom and front perspective view thereof.  
The broken lines and the areas surrounded by the broken lines illustrate portions of the ceiling fan that form no part of the claimed design.

**1 Claim, 6 Drawing Sheets**



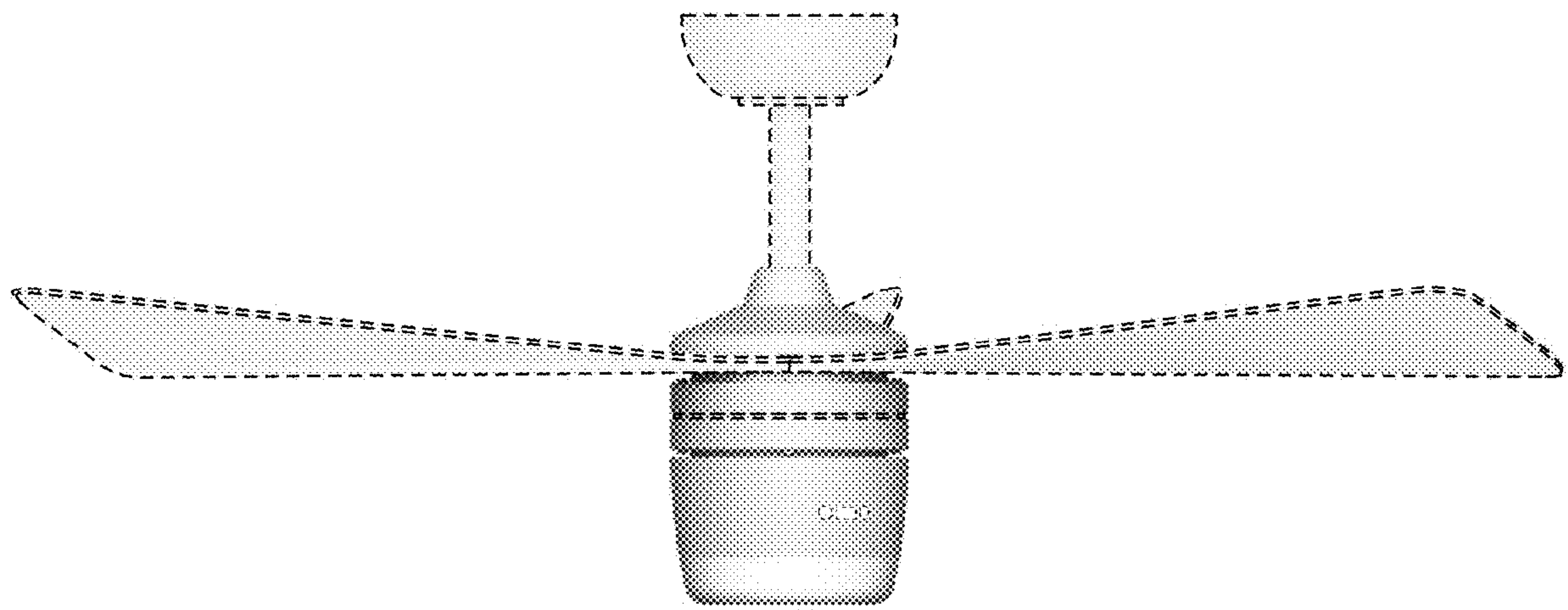


FIG. 1

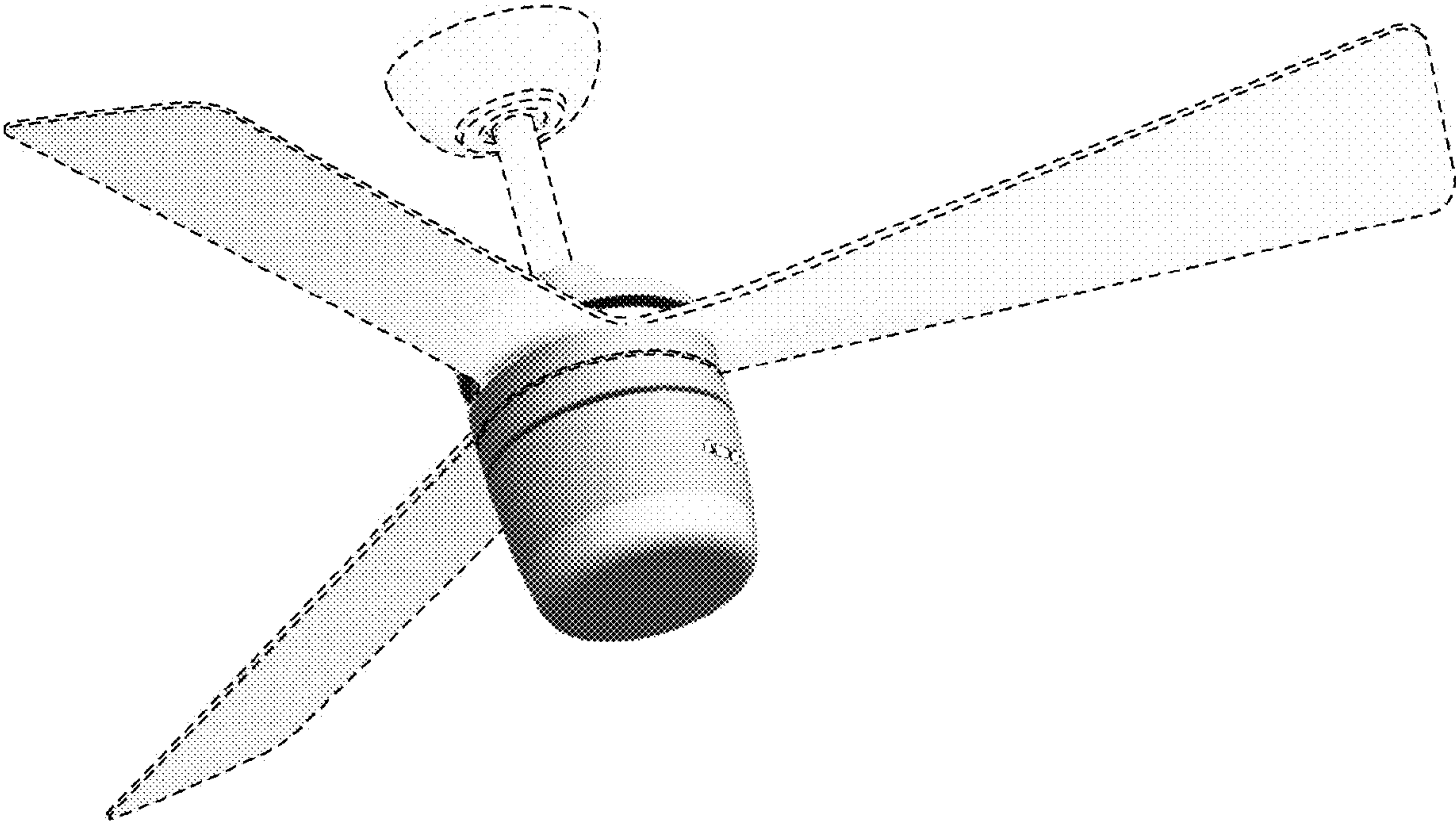


FIG. 2

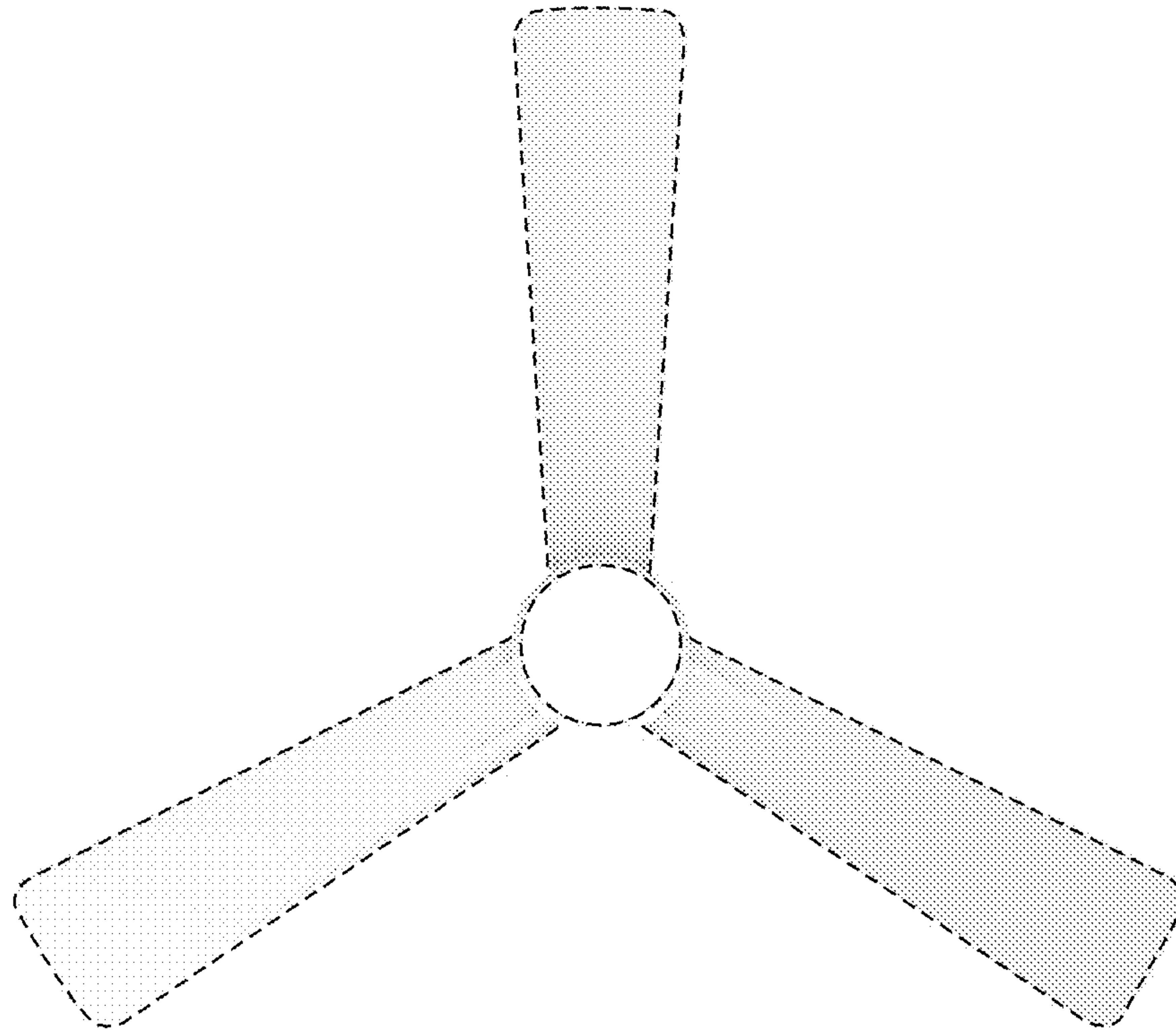


FIG. 3

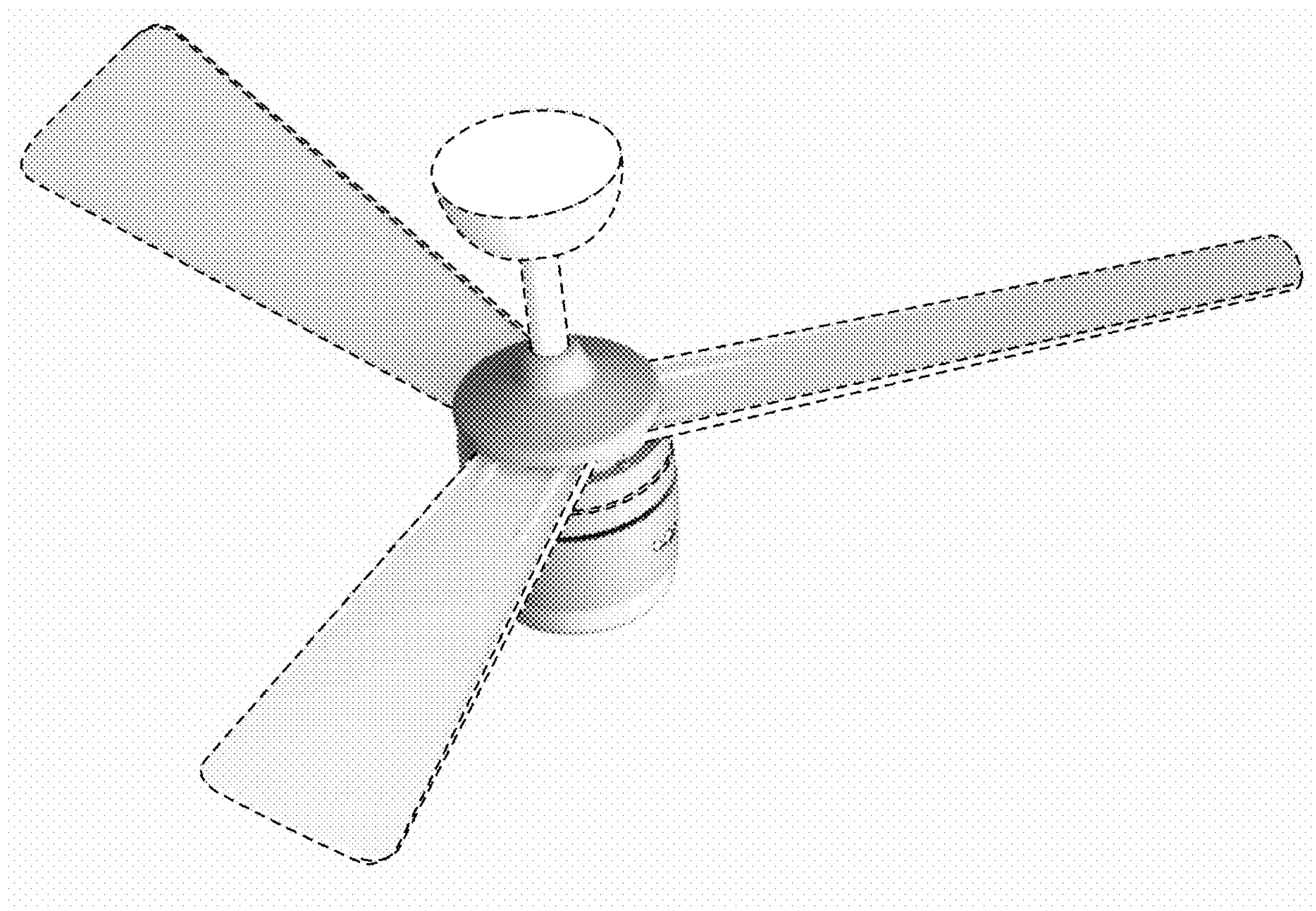


FIG. 4



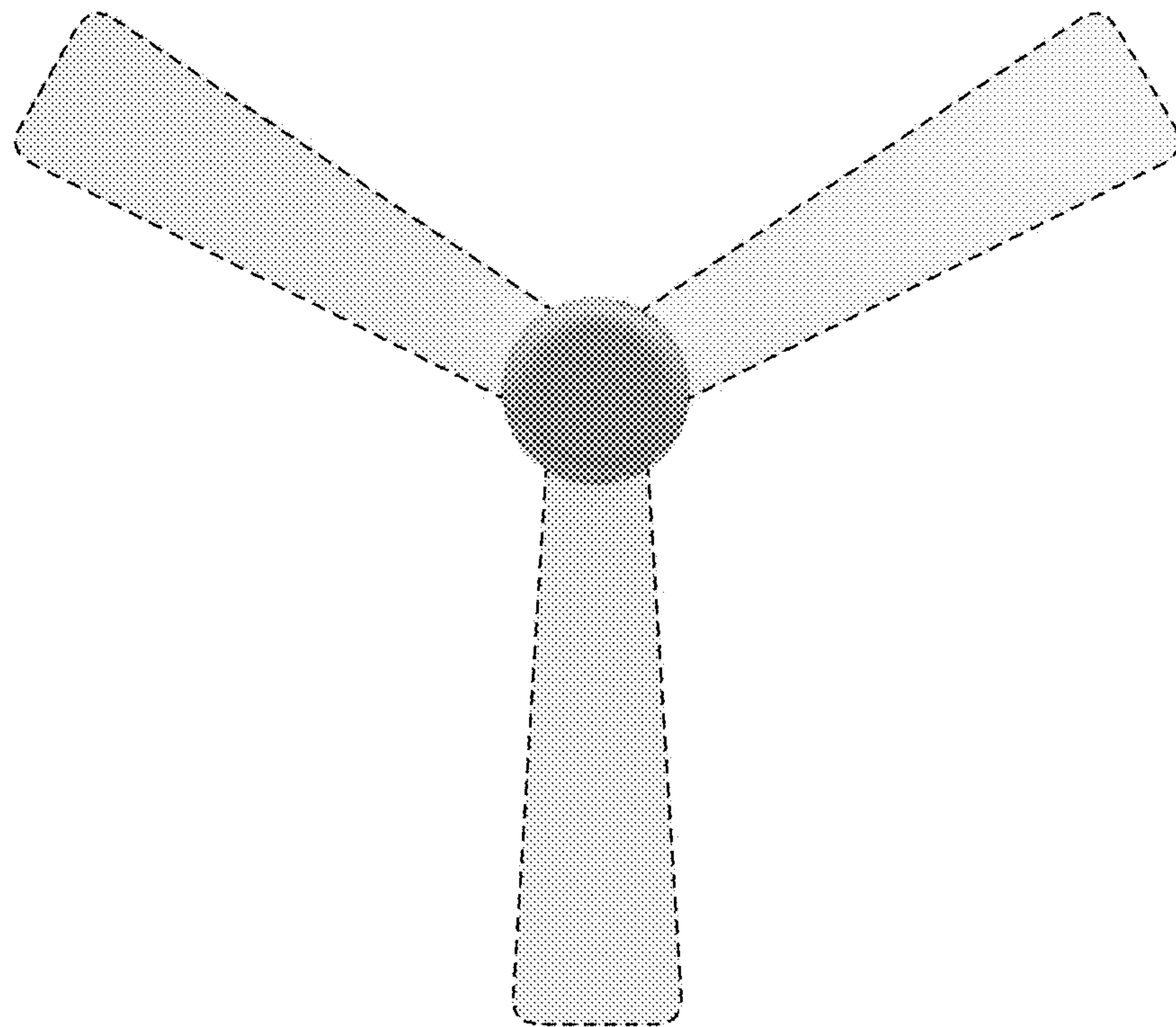


FIG. 5

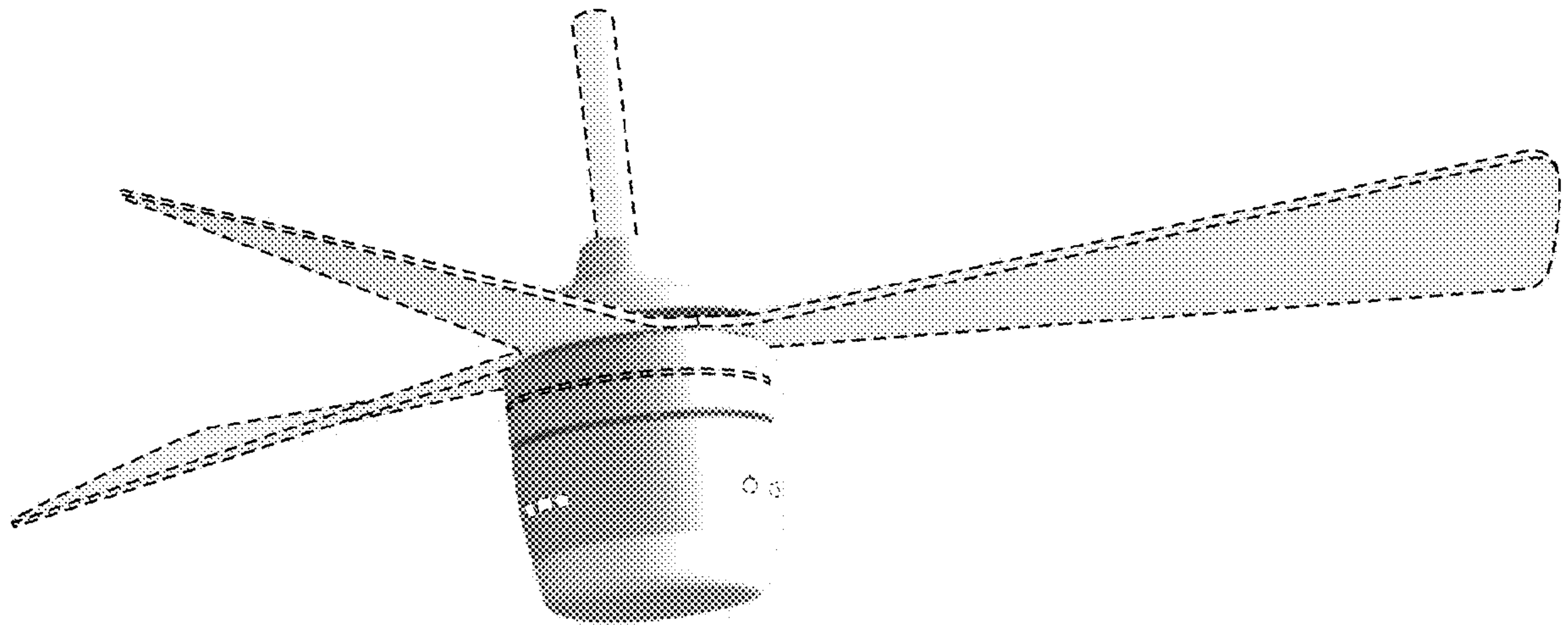


FIG. 6