



US00D977620S

(12) **United States Design Patent** (10) **Patent No.:** **US D977,620 S**
Fratesi et al. (45) **Date of Patent:** **** Feb. 7, 2023**

(54) **CAR AIR DIFFUSER**

(71) Applicants: **Poltrona Frau S.p.A.**, Meda (IT);
Acqua di Parma S.r.l., Milan (IT)

(72) Inventors: **Enrico Fratesi**, Copenhagen (DK);
Stine Gam, Copenhagen (DK)

(73) Assignees: **POLTRONA FRAU S.P.A.**, Meda (IT);
ACQUA DI PARMA S.R.L., Milan (IT)

(**) Term: **15 Years**

(21) Appl. No.: **29/783,068**

(22) Filed: **May 11, 2021**

(51) **LOC (14) Cl.** **23-04**

(52) **U.S. Cl.**
USPC **D23/366**

(58) **Field of Classification Search**
USPC D23/213, 332, 333, 336, 355–369, 370;
D26/26, 40, 46, 49, 97, 123, 124;
D14/125, 195, 204, 221, 228, 240, 253,
D14/348, 350, 358, 496; D12/415;
D21/332
CPC A61L 9/03; A61L 9/04; A61L 9/05; A61L
9/12; A61L 9/14; A61L 9/012; A61L
9/015; A61L 9/048; A61L 9/122; A61L
9/127; A61L 2209/11; A61L 2209/14;
A61L 2209/133; Y10S 261/17; Y10S
261/88; Y10S 261/89; H04B 1/3877;
F24F 6/00; F24F 6/06; F24R 1/00; F24R
1/02; F24R 1/022

See application file for complete search history.

(56) **References Cited**

U.S. PATENT DOCUMENTS

D212,753 S *	11/1968	Tughan	D23/369
D393,084 S *	3/1998	Hergert	D26/26
D638,425 S *	5/2011	Ikeda	D14/240
D662,920 S *	7/2012	Neu	D14/240
D707,666 S *	6/2014	Ting	D14/240
D920,495 S *	5/2021	Lee	D23/366
D949,148 S *	4/2022	Gao	D14/350
D954,833 S *	6/2022	Morisawa	D21/332

* cited by examiner

Primary Examiner — Gino Colan

Assistant Examiner — David Obrien

(74) *Attorney, Agent, or Firm* — Hogan Lovells US LLP

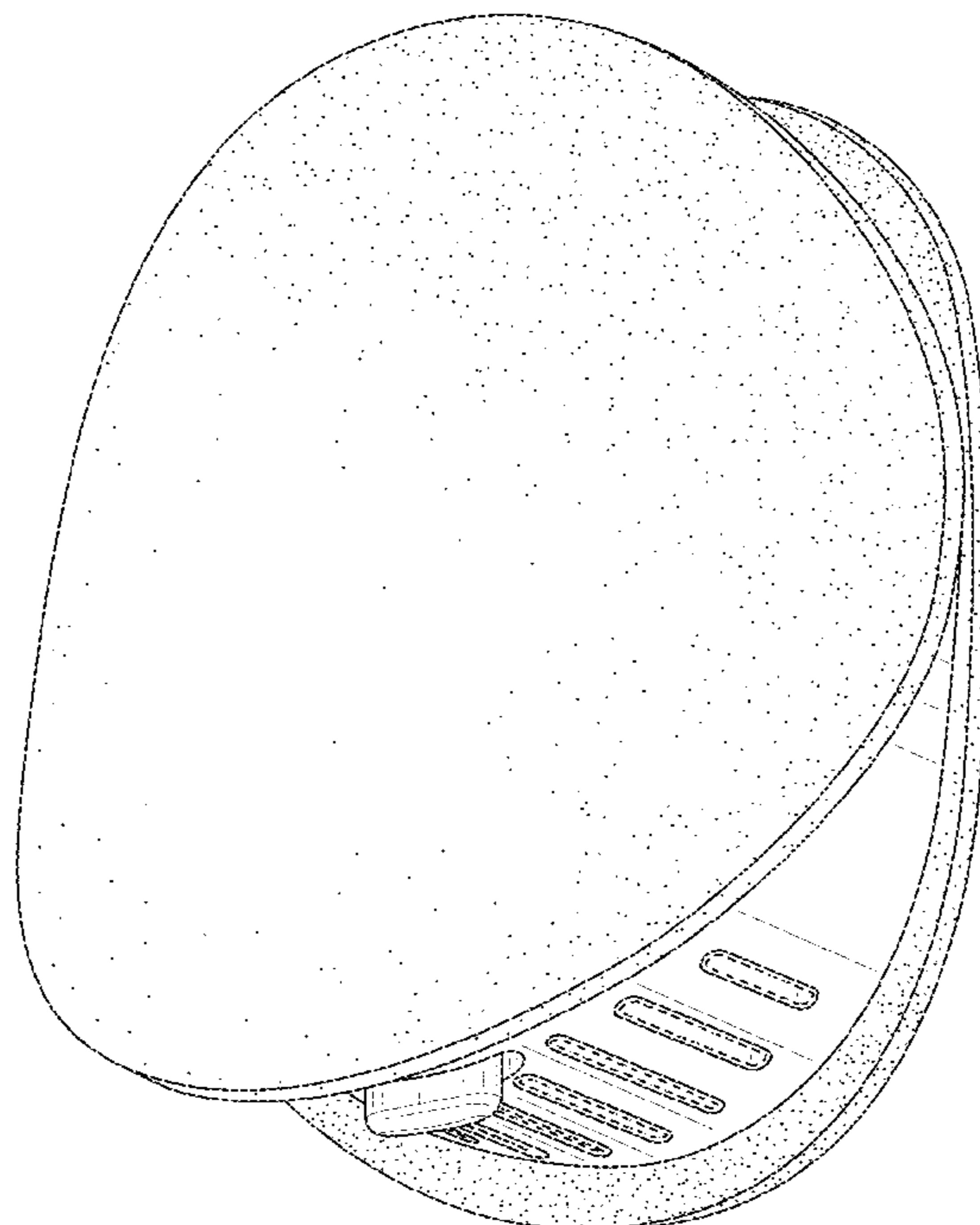
(57) **CLAIM**

The ornamental design for a car air diffuser, as shown and described.

DESCRIPTION

FIG. 1 is a perspective view of an air diffuser showing a new design;
FIG. 2 is a front view of the air diffuser of FIG. 1;
FIG. 3 is a rear view of the air diffuser of FIG. 1;
FIG. 4 is a left side view of the air diffuser of FIG. 1;
FIG. 5 is a right side view of the air diffuser of FIG. 1;
FIG. 6 is a bottom view of the air diffuser of FIG. 1 showing the diffuser in an open position;
FIG. 7 is a top view of the air diffuser of FIG. 1; and,
FIG. 8 is a bottom view of the air diffuser of FIG. 1 showing the diffuser in a closed position.
The broken lines shown in FIGS. 1 and 3-8 are for the purpose of illustrating environmental structure and form no part of the claimed design.

1 Claim, 7 Drawing Sheets



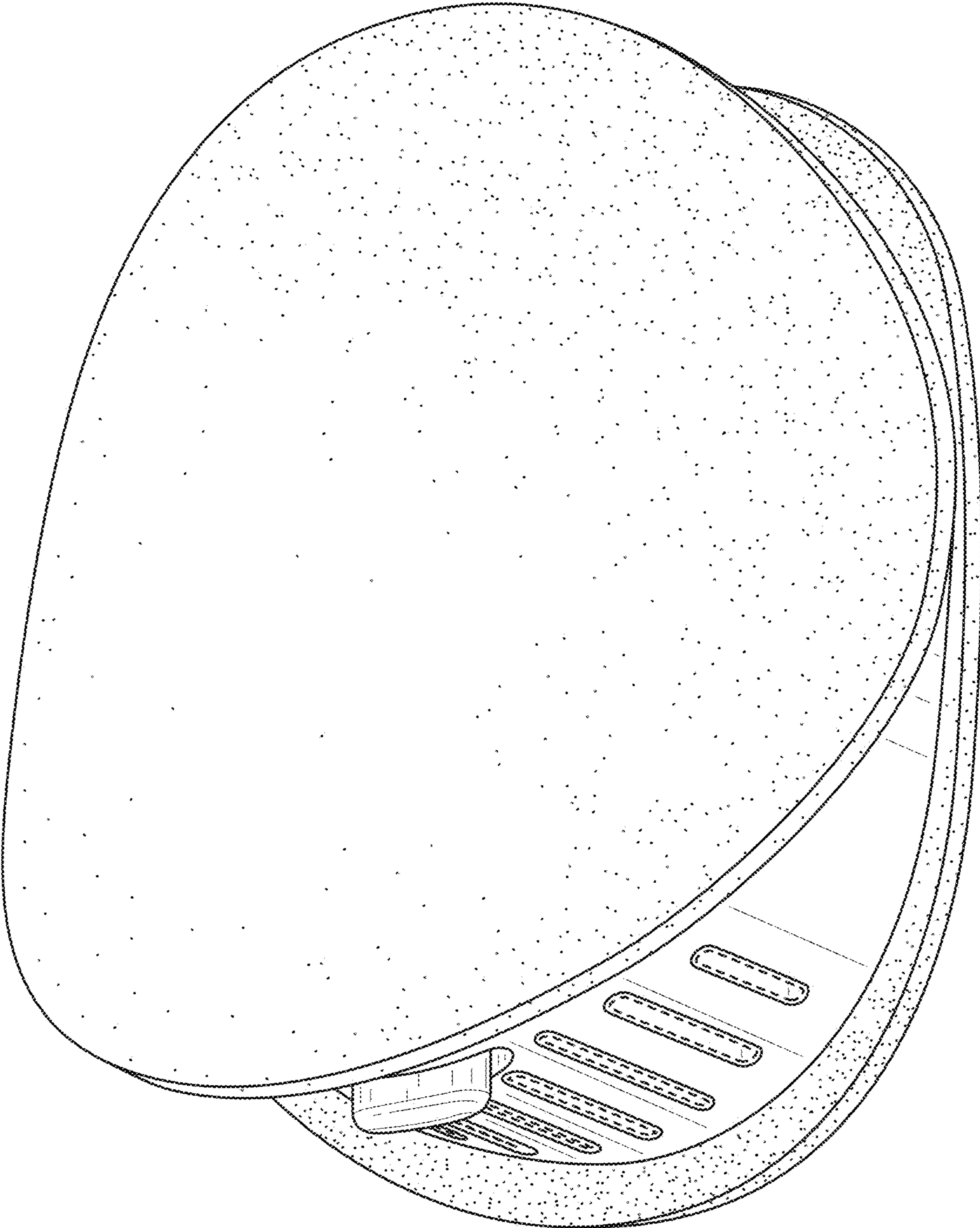


FIG. 1

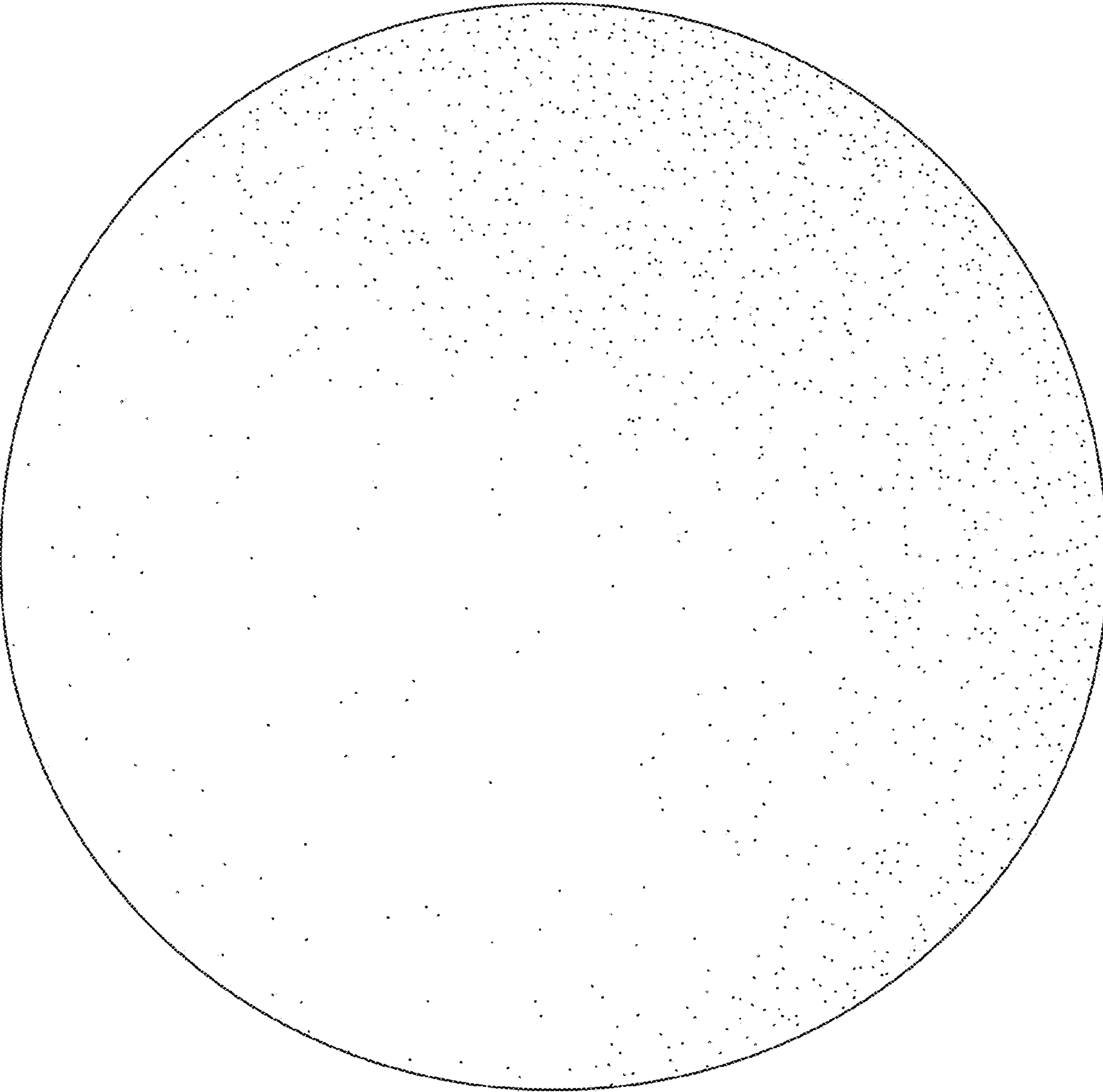


FIG. 2

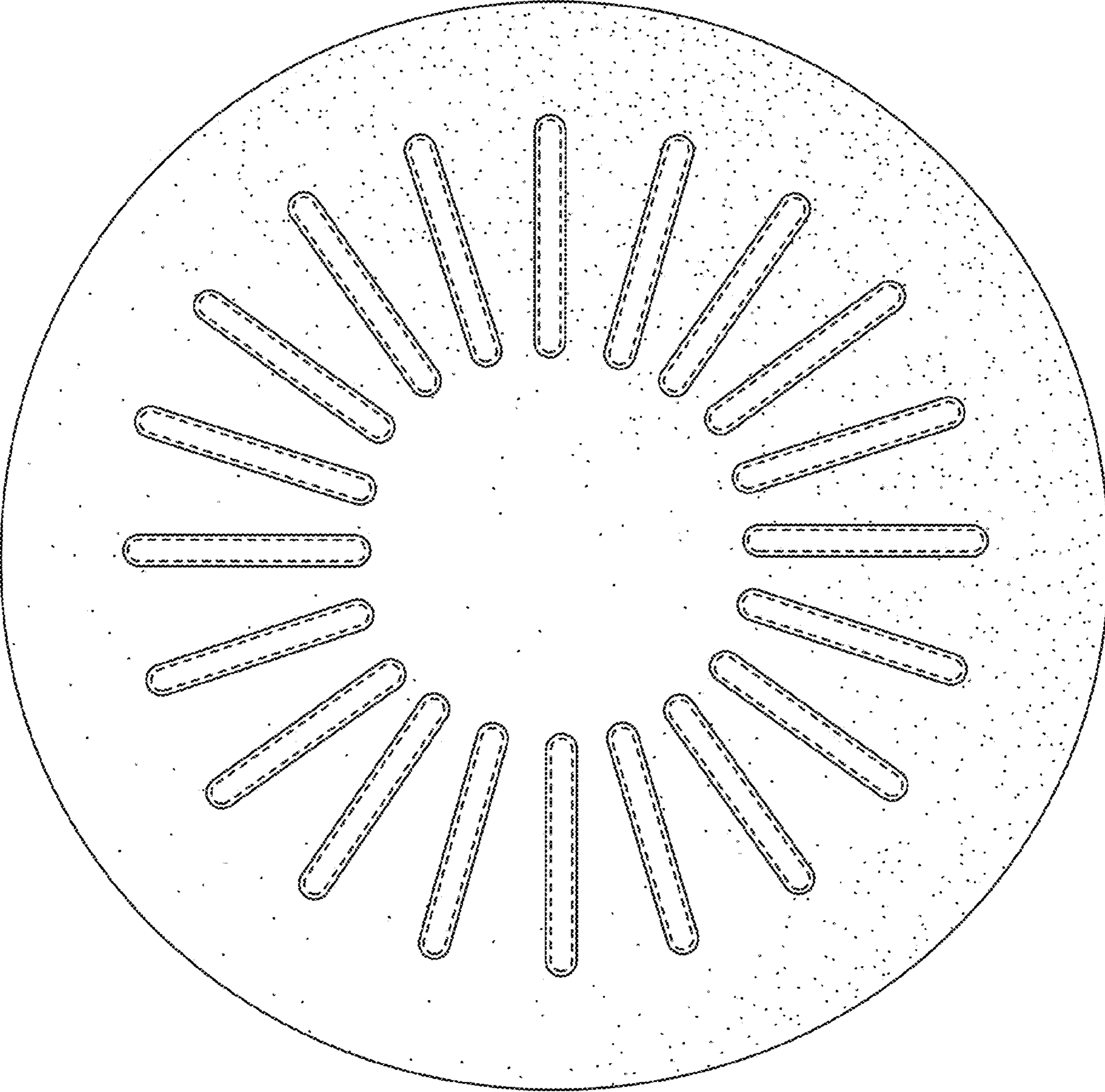


FIG. 3

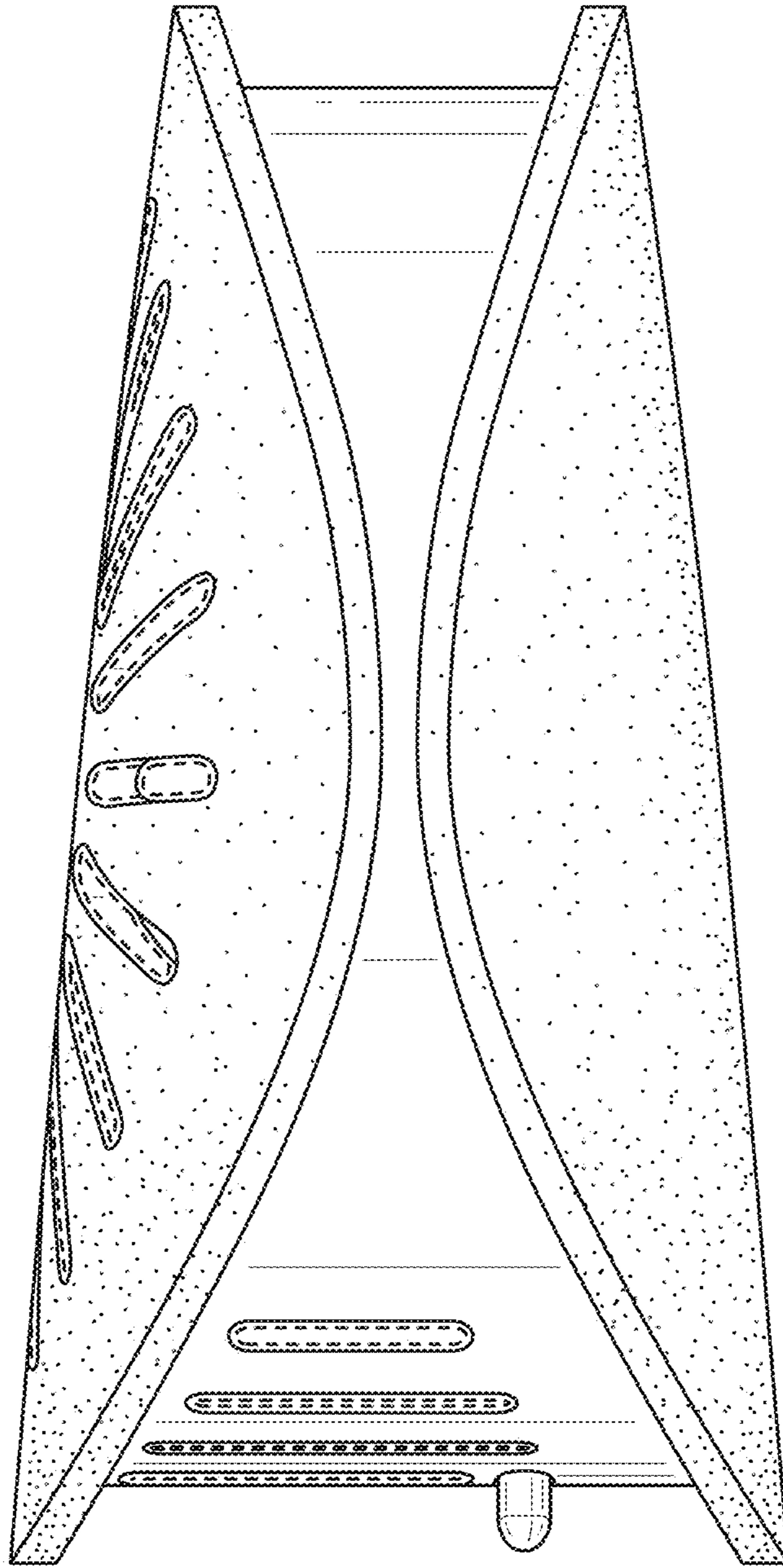


FIG. 4

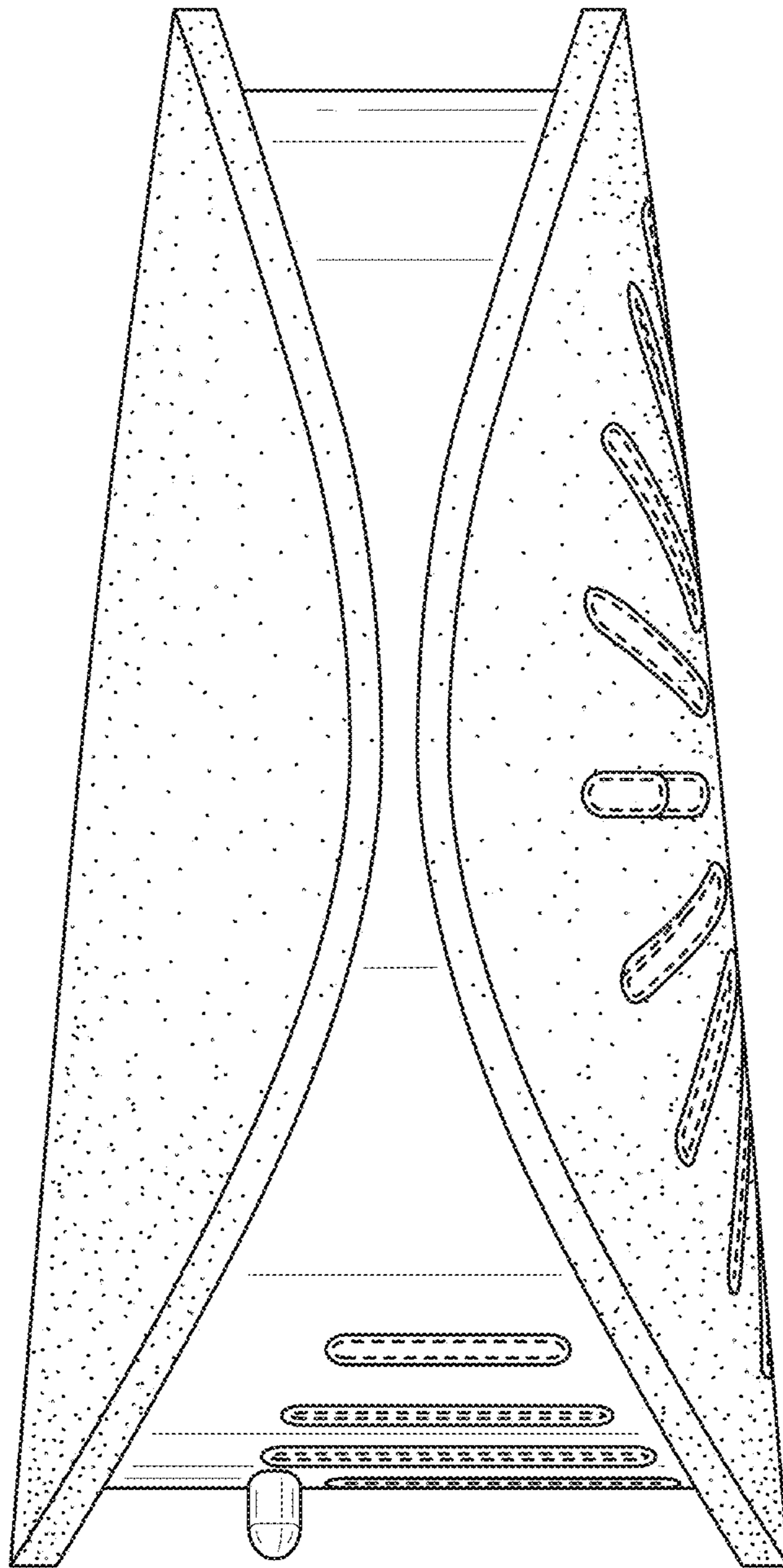


FIG. 5

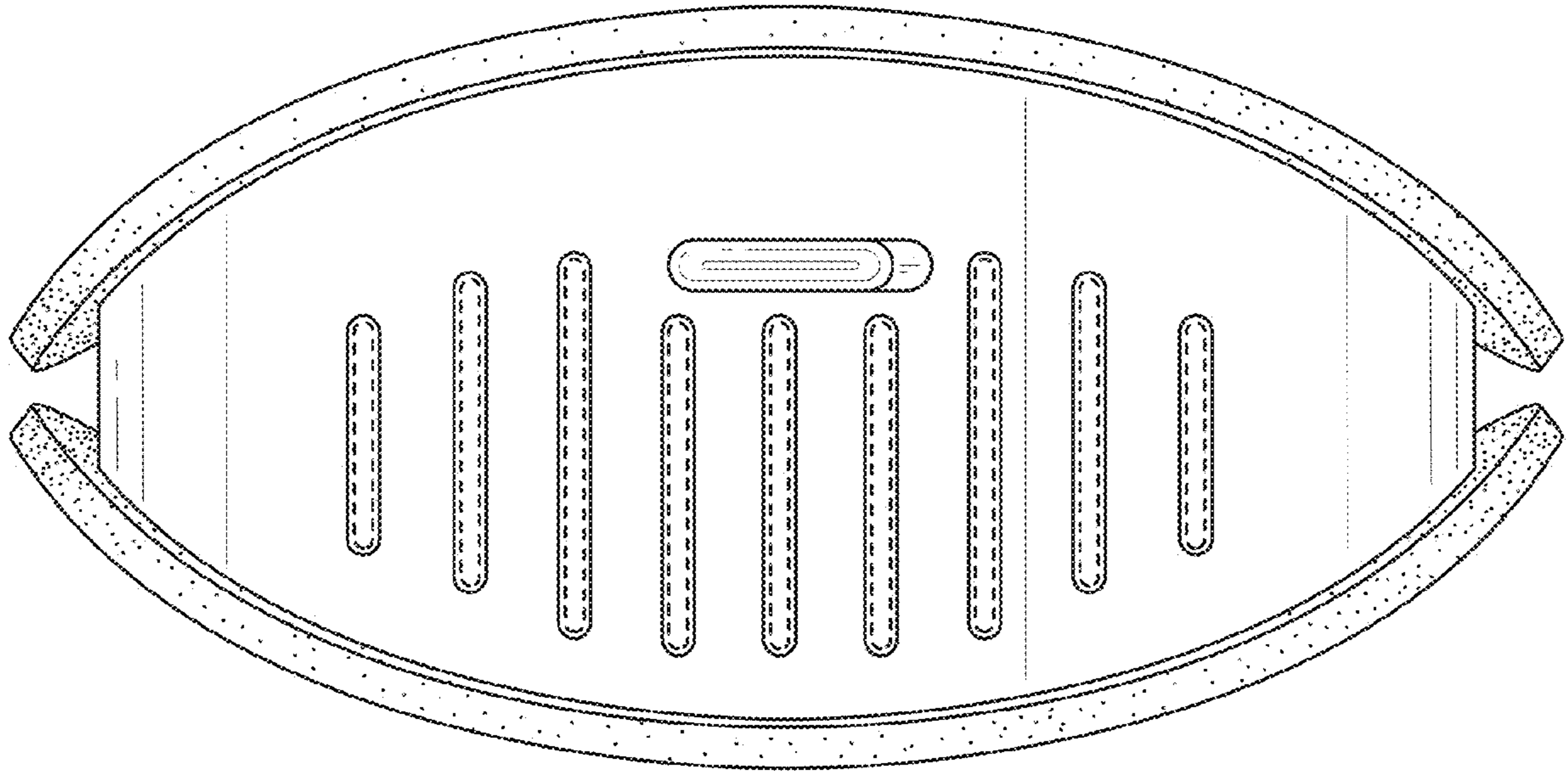


FIG. 6

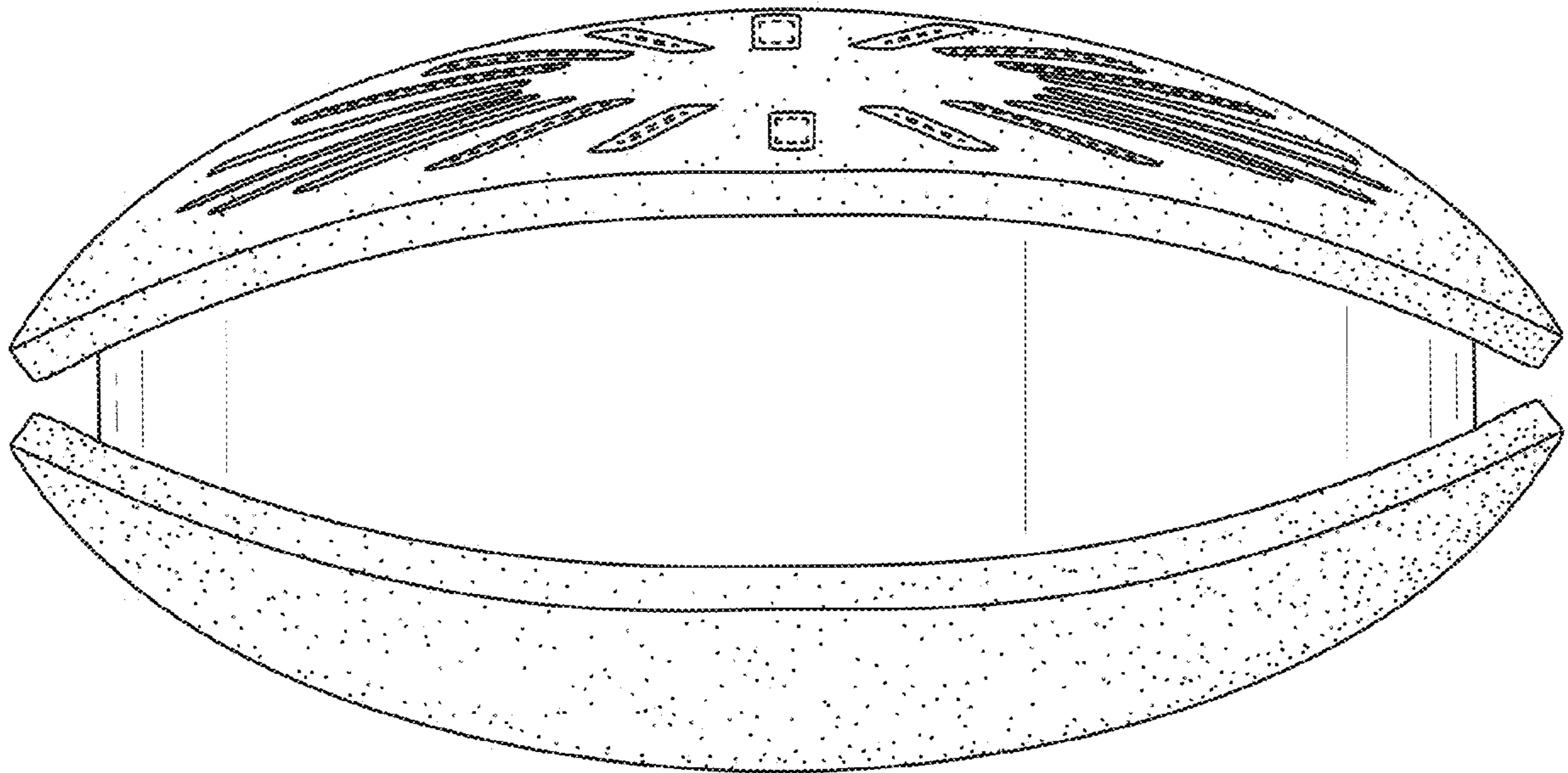


FIG. 7

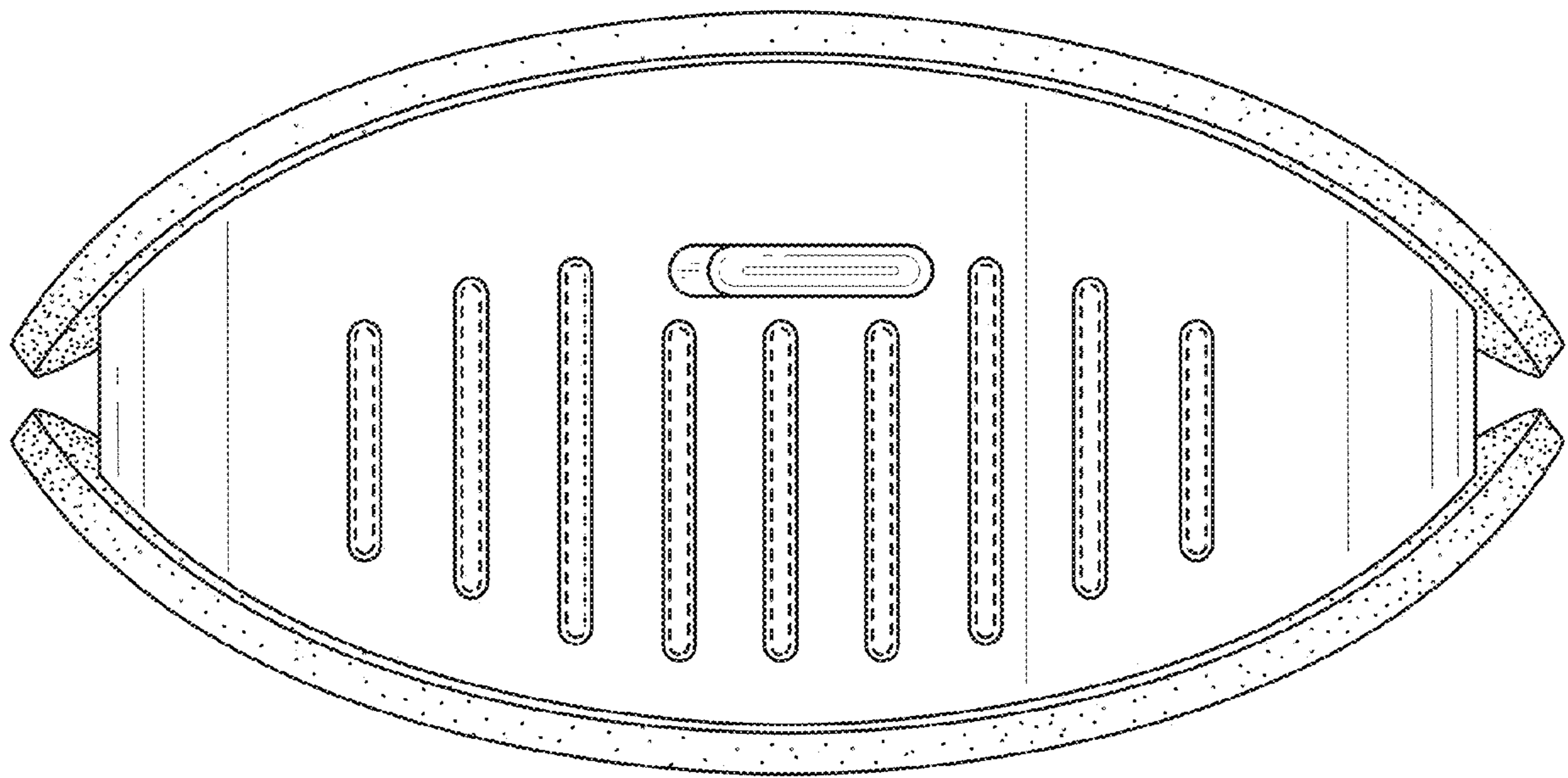


FIG. 8