



US00D977618S

(12) **United States Design Patent** (10) **Patent No.:** **US D977,618 S**
Long (45) **Date of Patent:** **** Feb. 7, 2023**

(54) **FAN HEATER**

D850,592 S * 6/2019 Jacobs D23/332
D927,666 S * 8/2021 Shin D23/364
2007/0077042 A1* 4/2007 Jayaram F24H 3/0417
392/385

(71) Applicant: **Shenzhen Aspiron Technology Company Limited, Shenzhen (CN)**

(72) Inventor: **Rong Long, Shenzhen (CN)**

(73) Assignee: **Shenzhen Aspiron Technology Company Limited, Shenzhen (CN)**

(**) Term: **15 Years**

(21) Appl. No.: **29/796,972**

(22) Filed: **Jun. 28, 2021**

(30) **Foreign Application Priority Data**

Apr. 27, 2021 (CN) 202130246680.6

(51) **LOC (14) Cl.** **23-03**

(52) **U.S. Cl.**
USPC **D23/332**

(58) **Field of Classification Search**
USPC D23/314, 317, 318, 332, 333, 334, 335,
D23/336, 337, 338, 339, 340, 355, 356,
D23/359, 364, 378, 370

CPC F24H 3/00; F24H 3/0411; F24H 3/0417;
F24H 9/0063; F24H 9/0073; F24H 9/02;
F24H 3/082; F24H 9/2071; F24H 3/002;
F24H 3/02; F24H 3/04; F04D 17/04;
F04D 25/08; F04D 25/10; F04D 5/00;
H05B 3/008; F24D 15/02; F24D 19/0087;
F24D 19/06; F24D 19/1084

See application file for complete search history.

(56) **References Cited**

U.S. PATENT DOCUMENTS

D448,071 S * 9/2001 Birdsell D23/335
D841,140 S * 2/2019 Chen D23/336

OTHER PUBLICATIONS

Space Heater—70° Oscillating Portable Heater with Thermostat
<https://a.co/d/gv8ZvzHt> First Available Dec. 2, 2021 (Year: 2021).*
Space Heater, Portable Ceramic Heater with Thermostat, LED
Display <https://a.co/d/31XU14G> Retrieved on Sep. 15, 2022 (Year:
2022).*

* cited by examiner

Primary Examiner — Ania Aman

(74) *Attorney, Agent, or Firm* — ScienBiziP, P.C.

(57) **CLAIM**

The ornamental design for a fan heater, as shown and described.

DESCRIPTION

FIG. 1 is a front perspective view of a fan heater showing my design.

FIG. 2 is a rear perspective view of the fan heater in FIG. 1.

FIG. 3 is a front elevation view of the fan heater in FIG. 1.

FIG. 4 is a rear elevation view of the fan heater in FIG. 1.

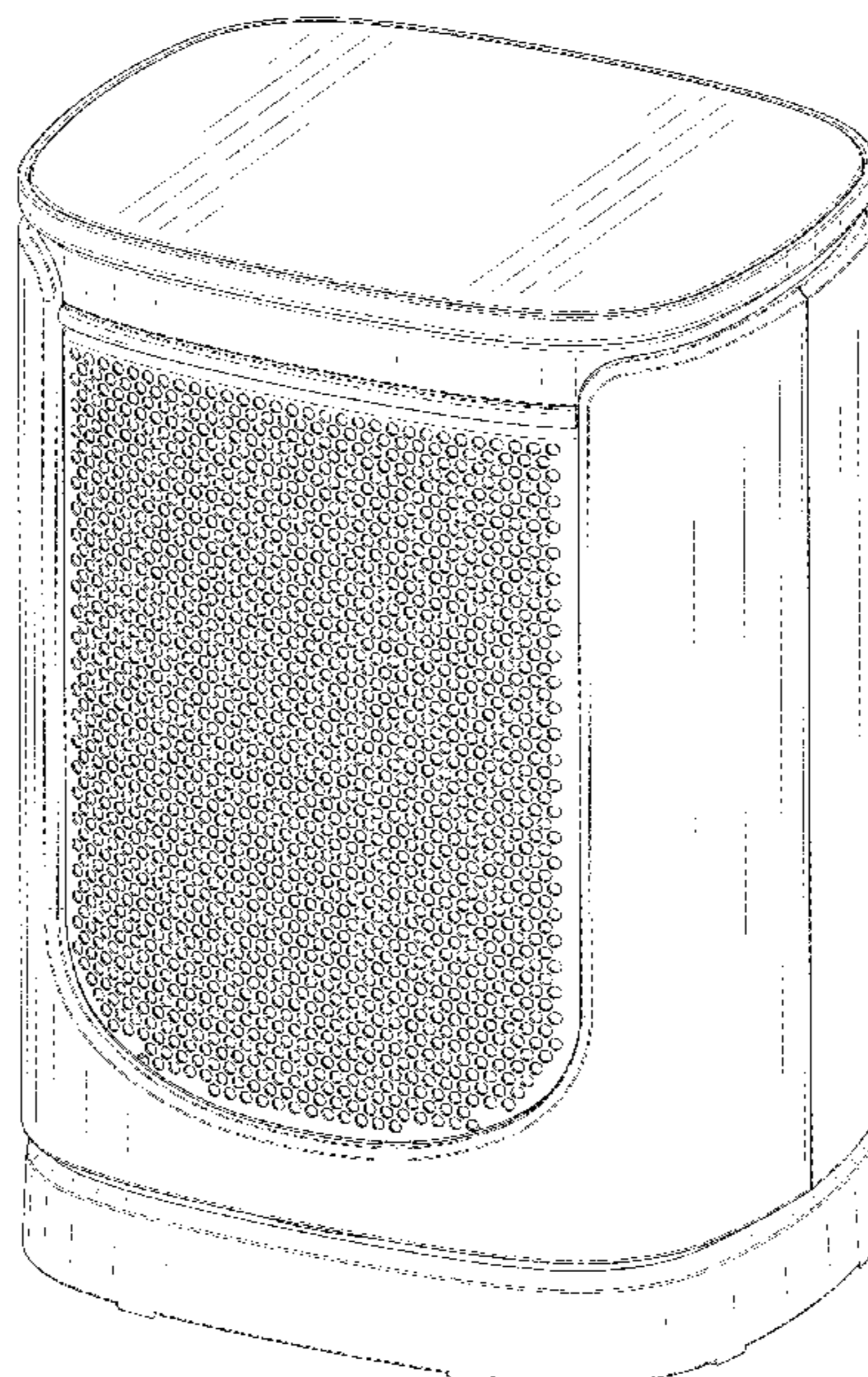
FIG. 5 is a left side elevation view of the fan heater in FIG. 1.

FIG. 6 is a right side elevation view of the fan heater in FIG. 1.

FIG. 7 is a top plan view of the fan heater in FIG. 1; and, FIG. 8 is a bottom plan view of the fan heater in FIG. 1.

The broken lines in the drawings are employed to show unclaimed portions of the fan heater, and form no part of the claimed design.

1 Claim, 8 Drawing Sheets



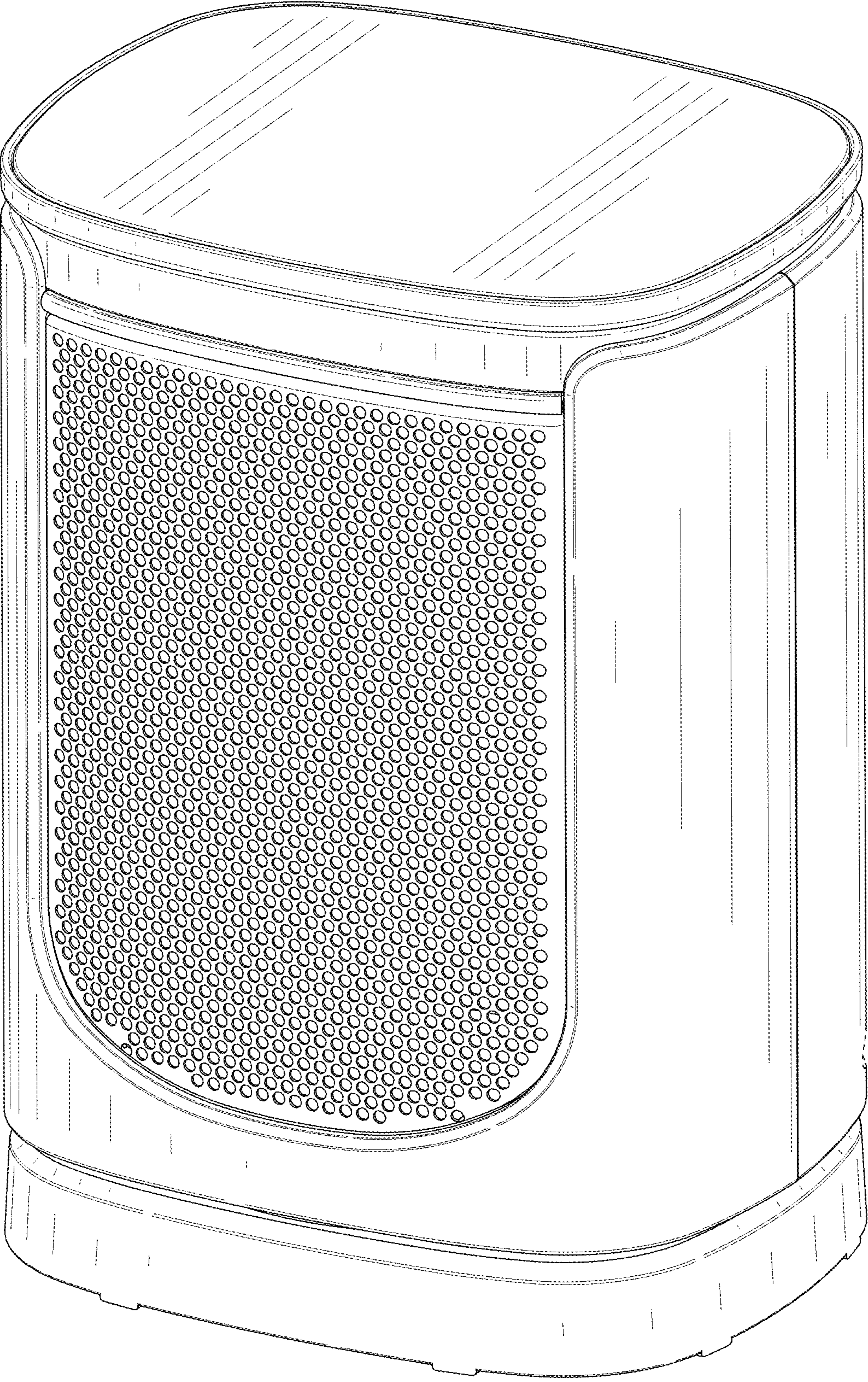


FIG. 1

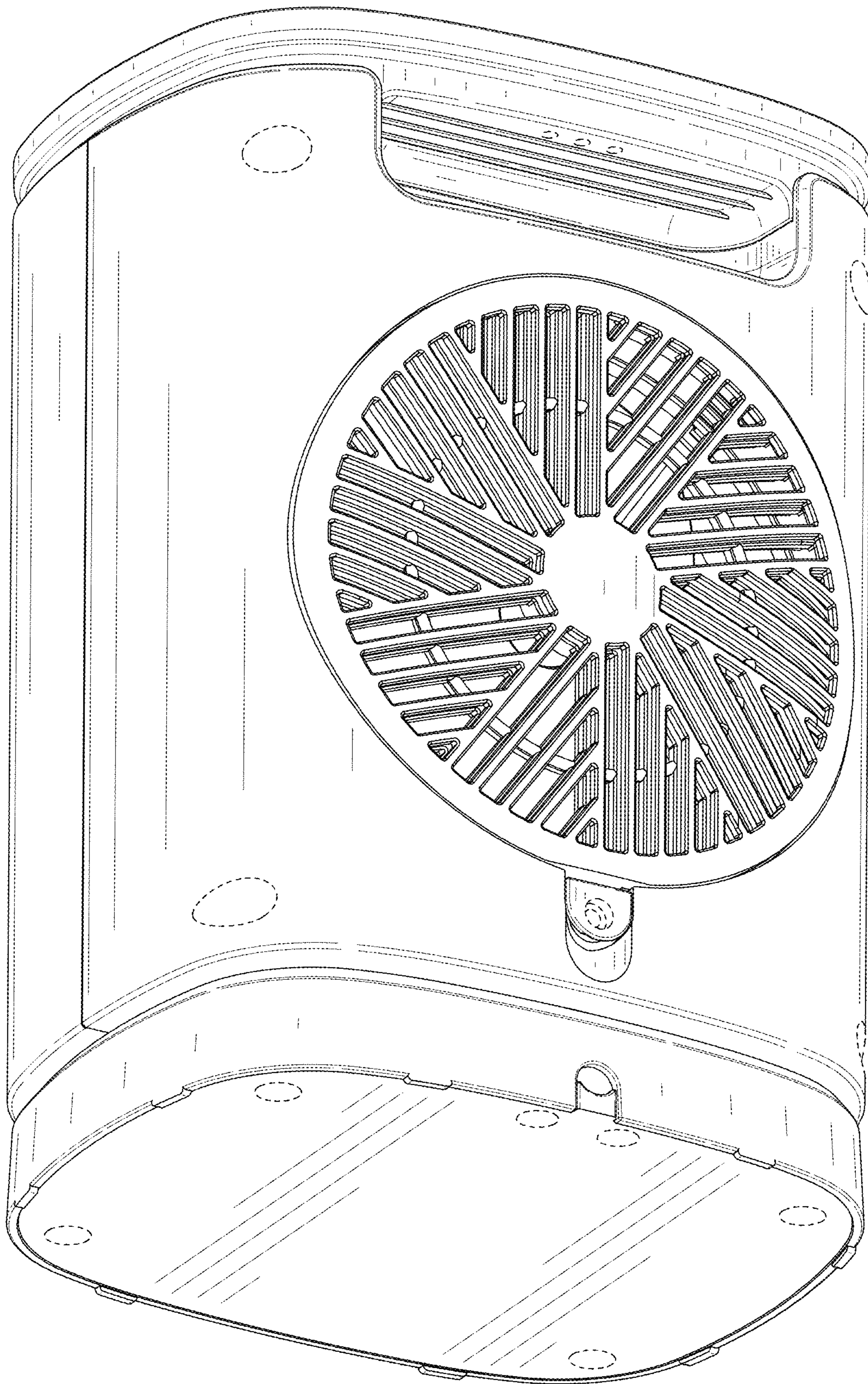


FIG. 2

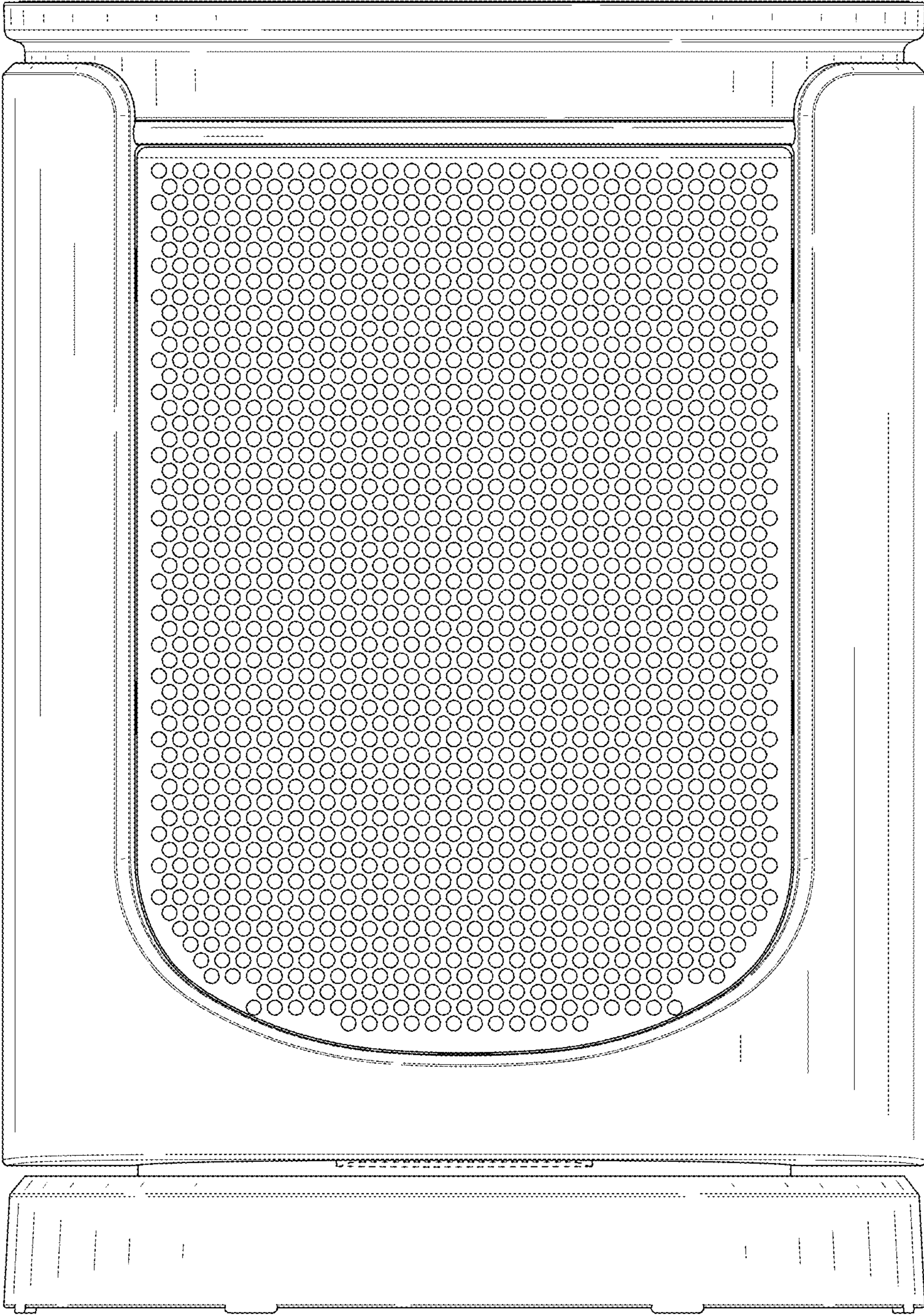


FIG. 3

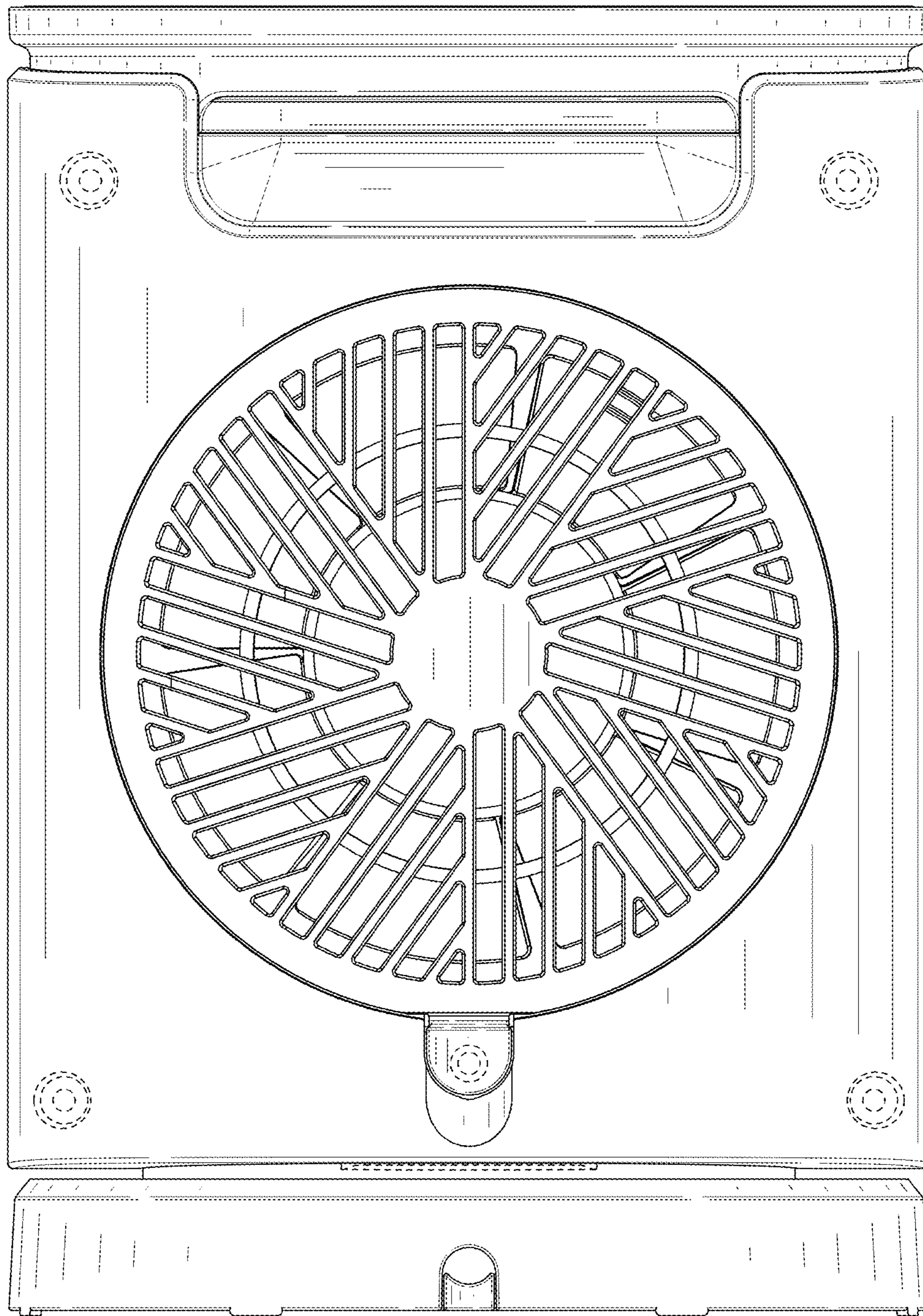


FIG. 4

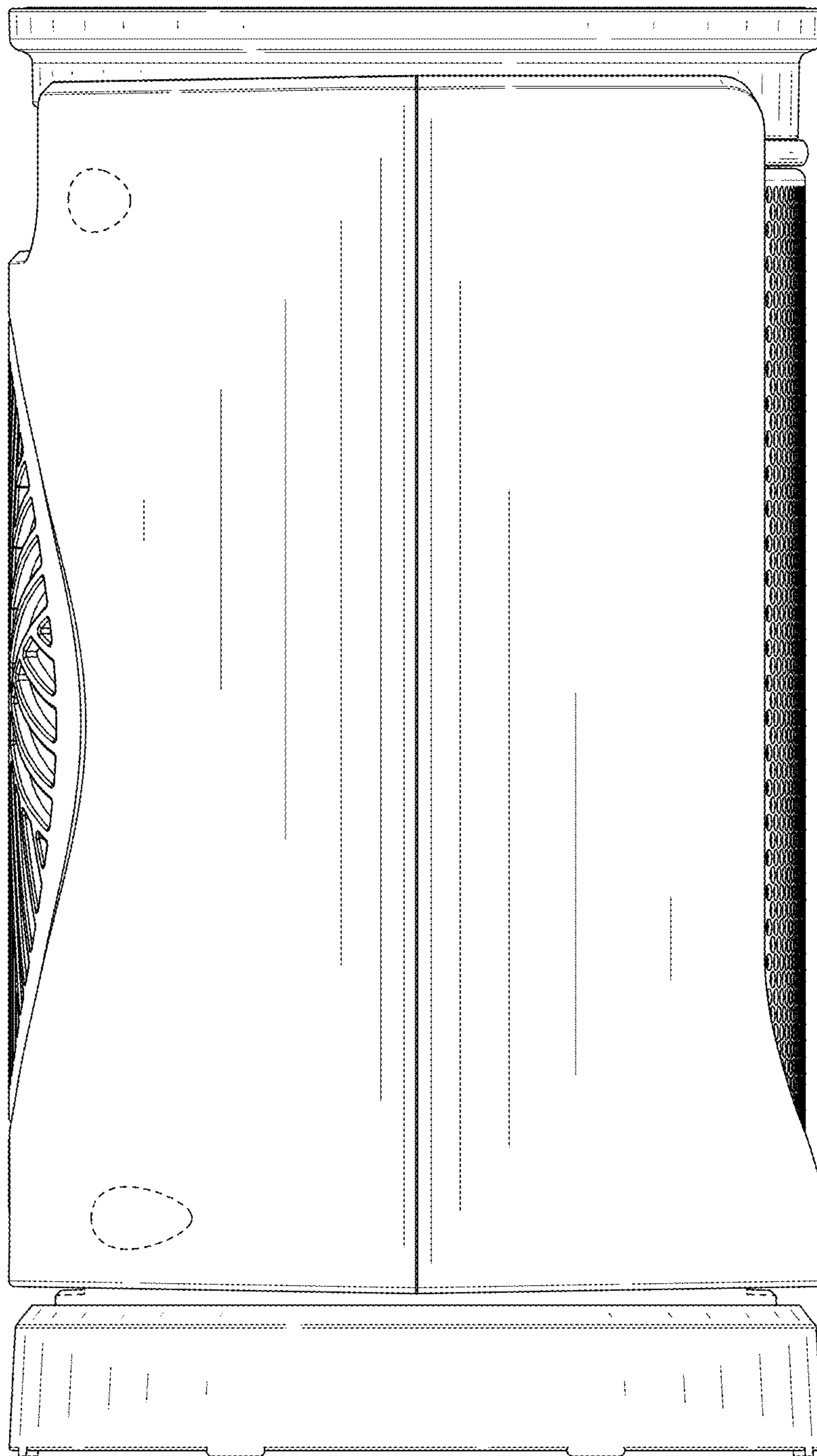


FIG. 5

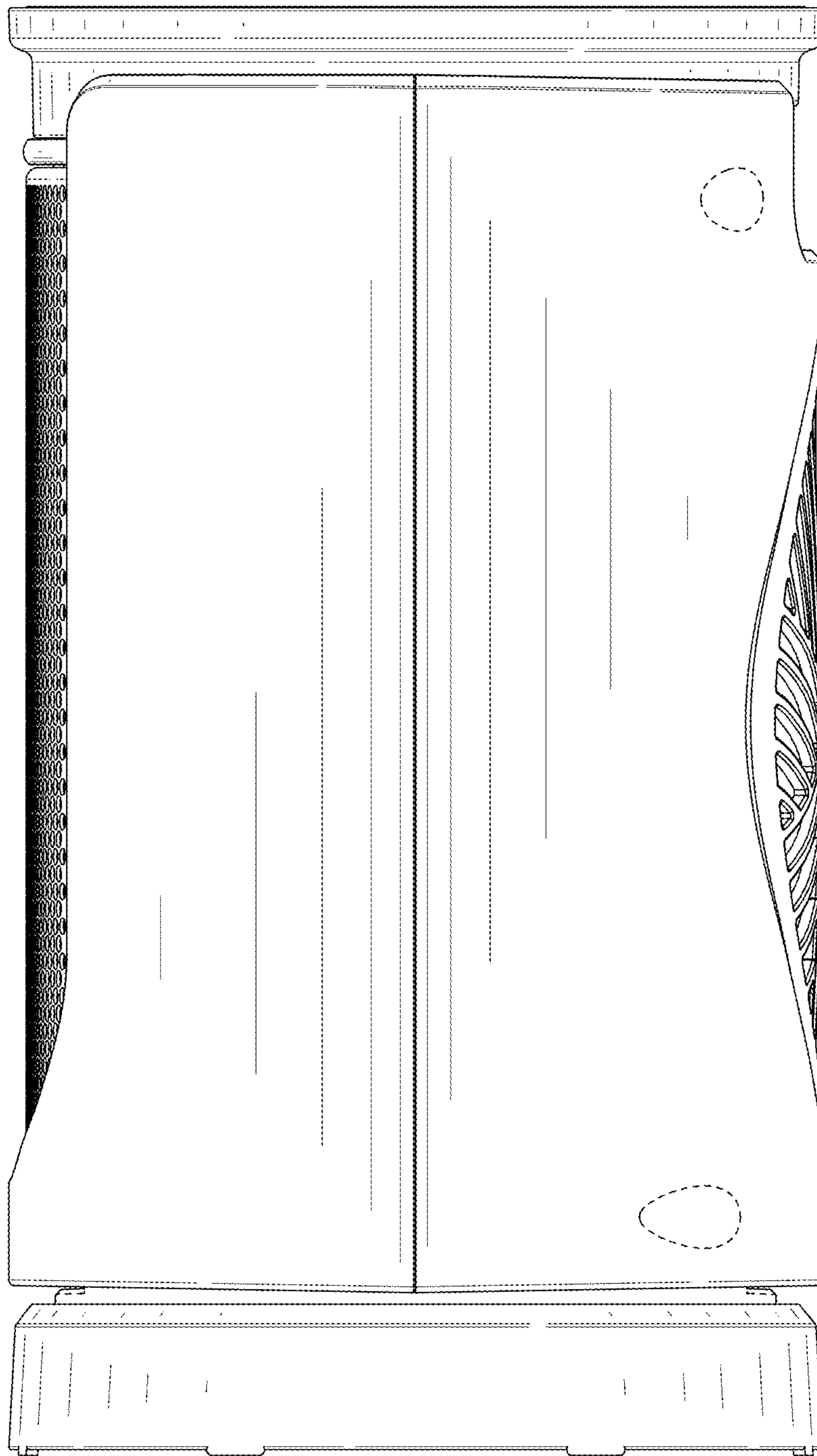


FIG. 6

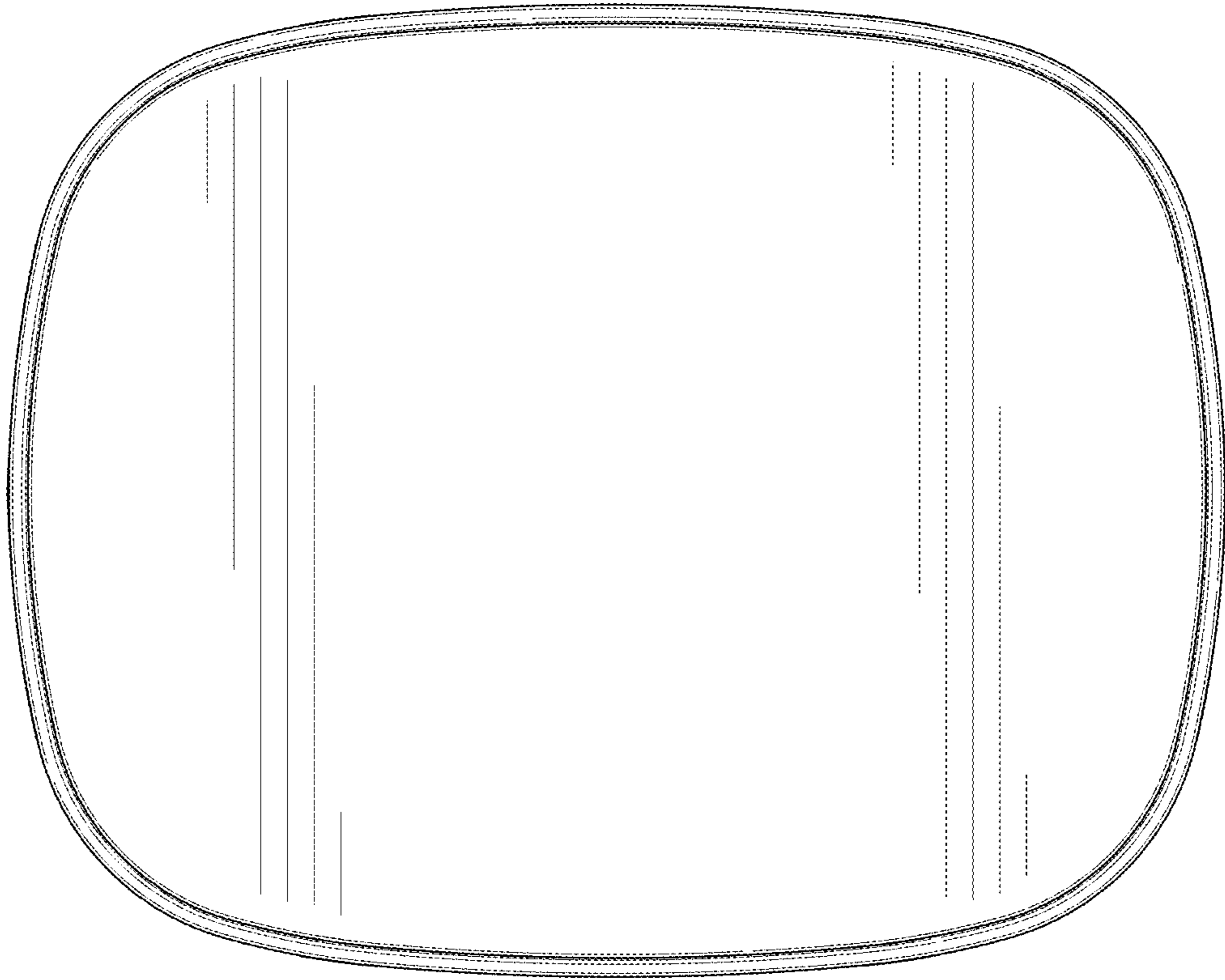


FIG. 7

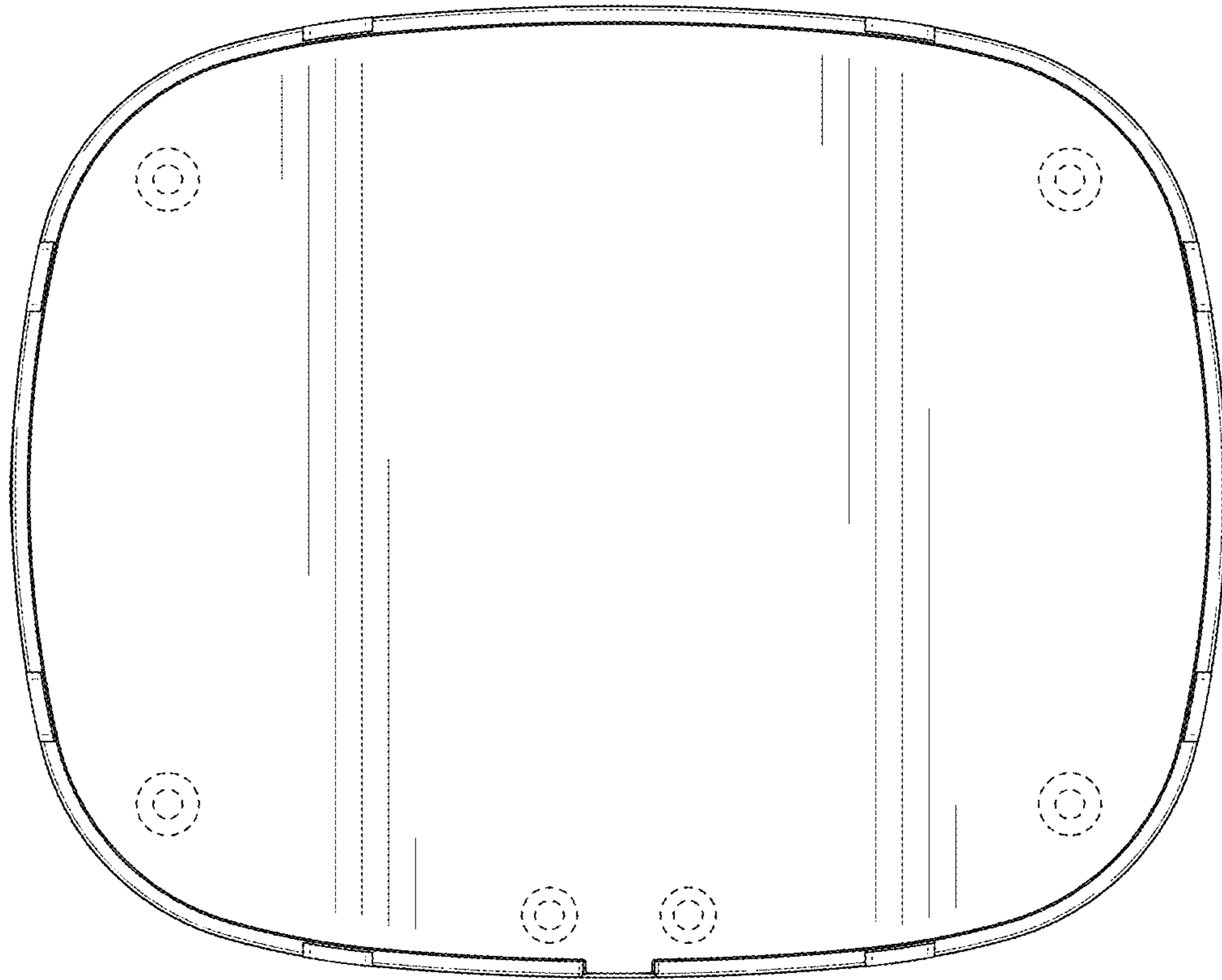


FIG. 8