



US00D977616S

(12) **United States Design Patent** (10) **Patent No.:** **US D977,616 S**  
**Lejoly** (45) **Date of Patent:** **\*\* Feb. 7, 2023**

(54) **TAP**

FOREIGN PATENT DOCUMENTS

(71) Applicant: **Duravit Aktiengesellschaft**, Hornberg (DE)

CN 303340249 \* 8/2015  
CN 303843902 \* 9/2016  
CN 303951384 \* 11/2016  
WO D081264-001 \* 1/2014

(72) Inventor: **Bertrand Lejoly**, Antwerp (BE)

(\*\*) Term: **15 Years**

OTHER PUBLICATIONS

(21) Appl. No.: **35/512,323**

Grohe 2382400A Linear Single-Handle Bathroom Faucet, first available Jul. 19, 2018[online], [site visited Aug. 8, 2022]. Available from internet, URL:<<https://www.amazon.com/dp/B07FPSRDCM>> (Year: 2018).\*

(22) Filed: **Apr. 13, 2021**

Ezanda Brass Single-Handle Bathroom Sink Faucet, first available Jul. 23, 2018[online], [site visited Jul. 25, 2022]. Available from internet, URL:<<https://www.amazon.com/dp/B07FSMCD2>> (Year: 2018).\*

(80) **Hague Agreement Data**

Int. Filing Date: **Apr. 13, 2021**  
Int. Reg. No.: **DM/215586**  
Int. Reg. Date: **Apr. 13, 2021**  
Int. Reg. Pub. Date: **Aug. 6, 2021**

Jakarda Single Handle Bathroom Faucet, first available Jul. 13, 2019[online], [site visited Jul. 25, 2022]. Available from internet, URL:<<https://www.amazon.com/dp/B07V513F6L?th=1>> (Year: 2019).\*

(51) **LOC (14) Cl.** ..... **23-01**

\* cited by examiner

(52) **U.S. Cl.**

USPC ..... **D23/238**

(58) **Field of Classification Search**

USPC ..... D23/238–244, 252, 254–255, 257, 499;  
D7/398

CPC .... F16K 31/602; F16K 31/605; F16K 31/607;  
E03C 1/0412

See application file for complete search history.

*Primary Examiner* — David G Muller  
*Assistant Examiner* — Jamaal Rasheed

(57) **CLAIM**

The ornamental design for a tap, as shown and described.

(56) **References Cited**

**DESCRIPTION**

U.S. PATENT DOCUMENTS

D487,586 S \* 3/2004 Haug ..... D23/252  
D531,702 S \* 11/2006 Haug ..... D23/252  
D581,017 S \* 11/2008 Gessi ..... D23/238  
D624,989 S \* 10/2010 Sieger ..... D23/238  
D636,061 S \* 4/2011 Kulig ..... D23/238  
D636,463 S \* 4/2011 Kulig ..... D23/238  
D947,324 S \* 3/2022 Tu ..... D23/238  
D952,799 S \* 5/2022 Yang ..... D23/252  
2017/0044746 A1 \* 2/2017 Lee ..... E03C 1/0404

1. Tap

Figure 1.1 is a rear elevation view of the present design.

Figure 1.2 is a front elevation view thereof.

Figure 1.3 is a perspective view thereof.

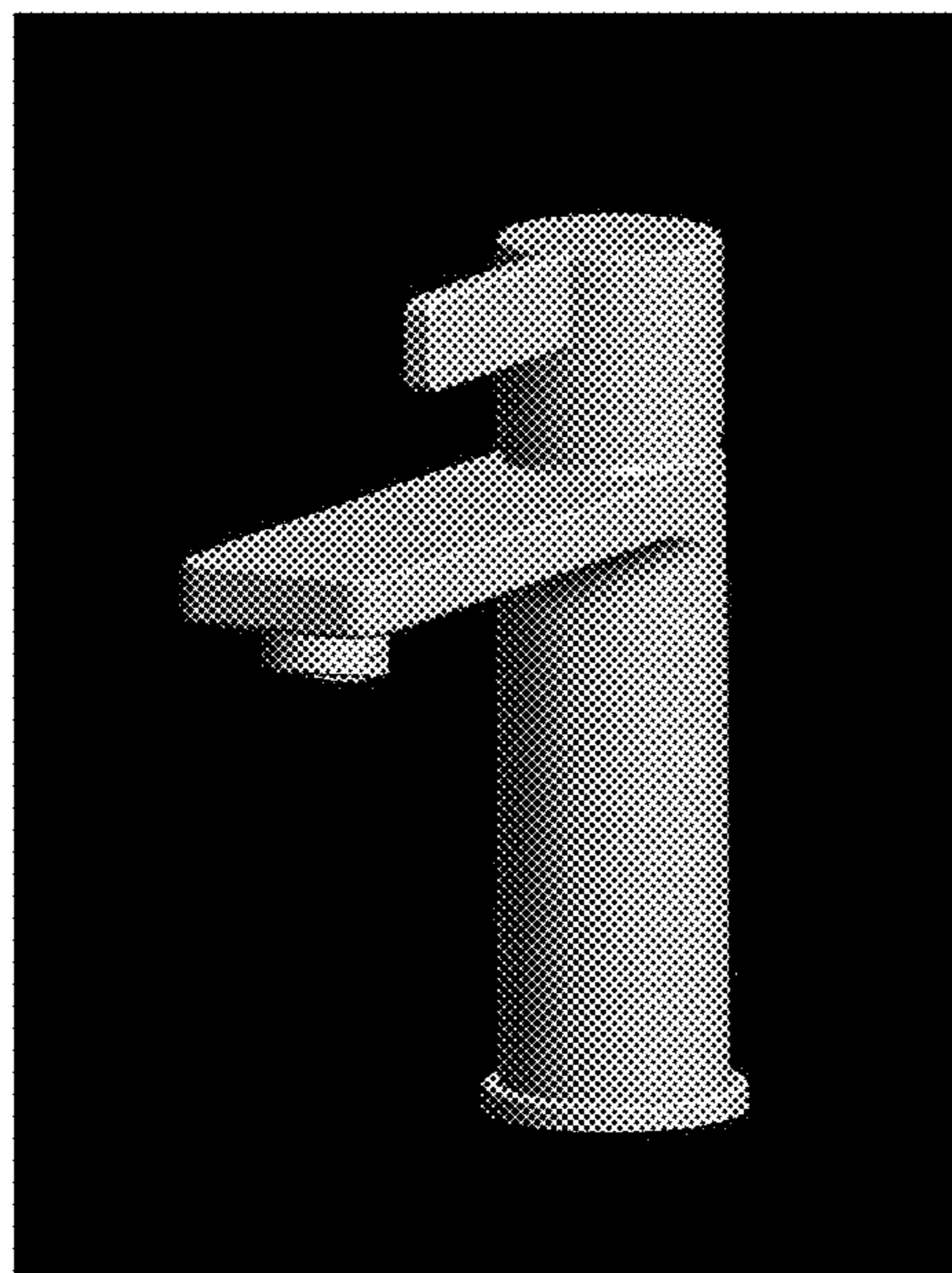
Figure 1.4 is a left side elevation view thereof.

Figure 1.5 is a right side elevation view thereof.

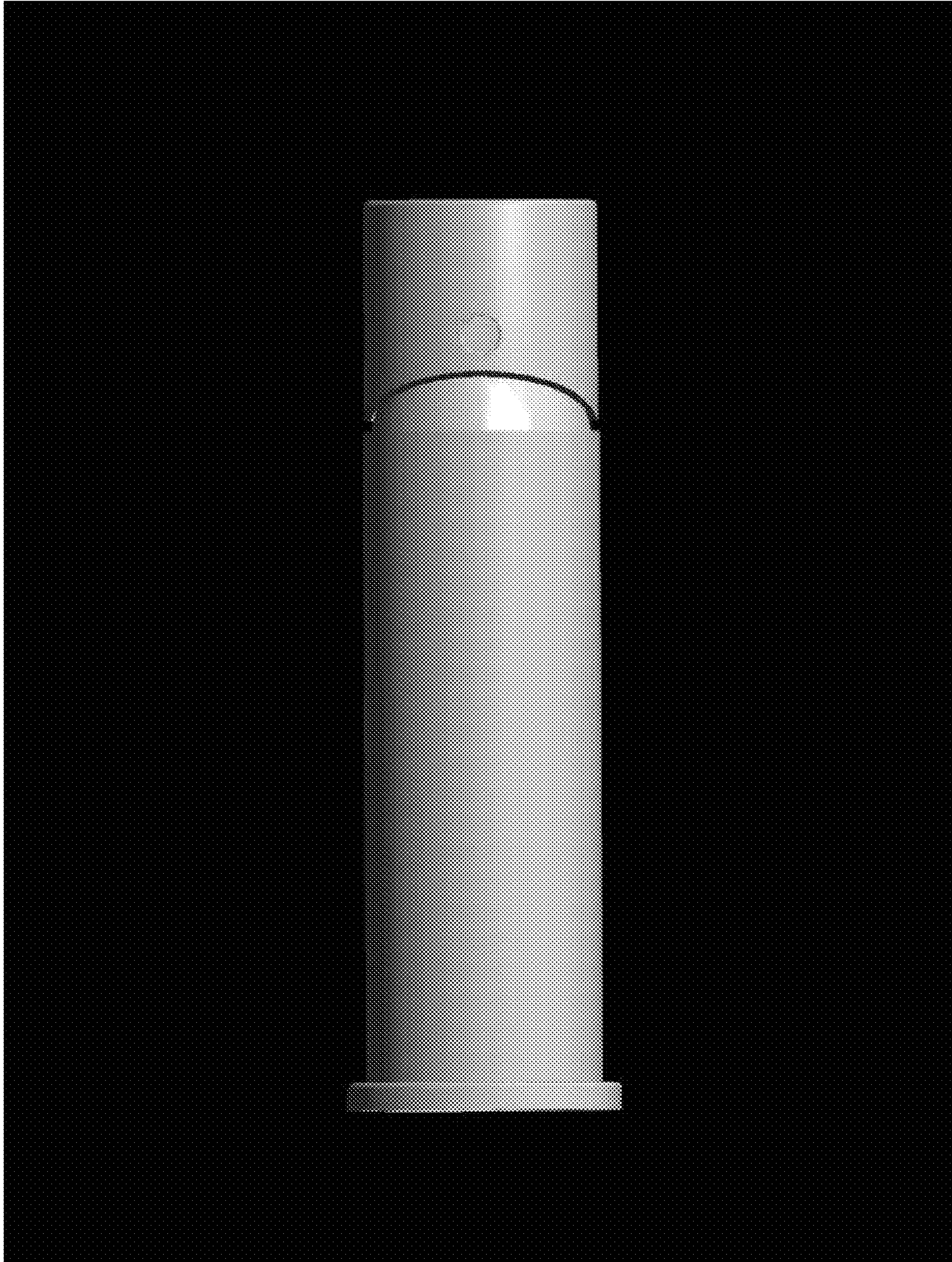
Figure 1.6 is a top plan view thereof.

Figure 1.7 is a bottom plan view thereof.

**1 Claim, 7 Drawing Sheets**



# 1.1



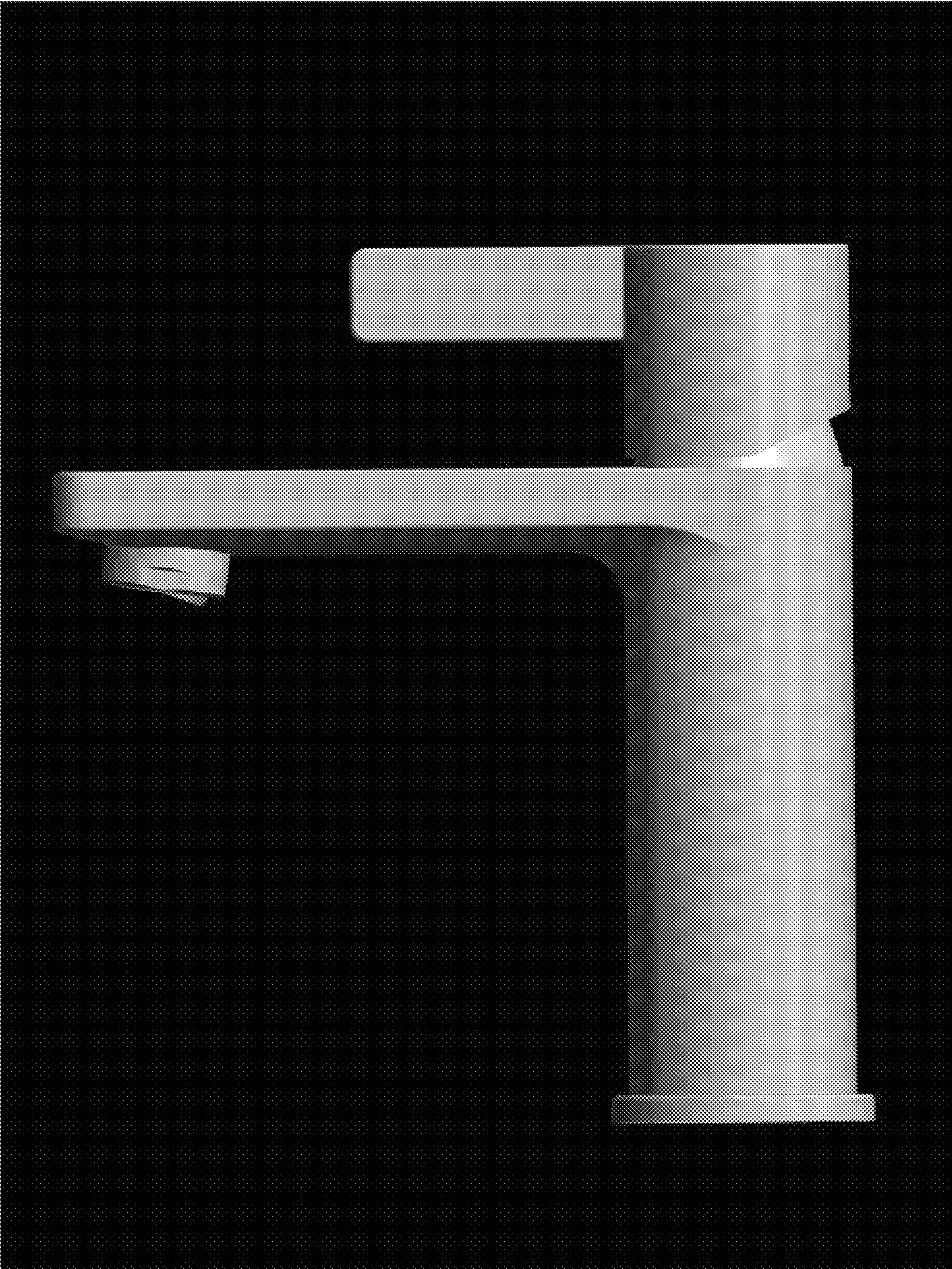
# 1.2



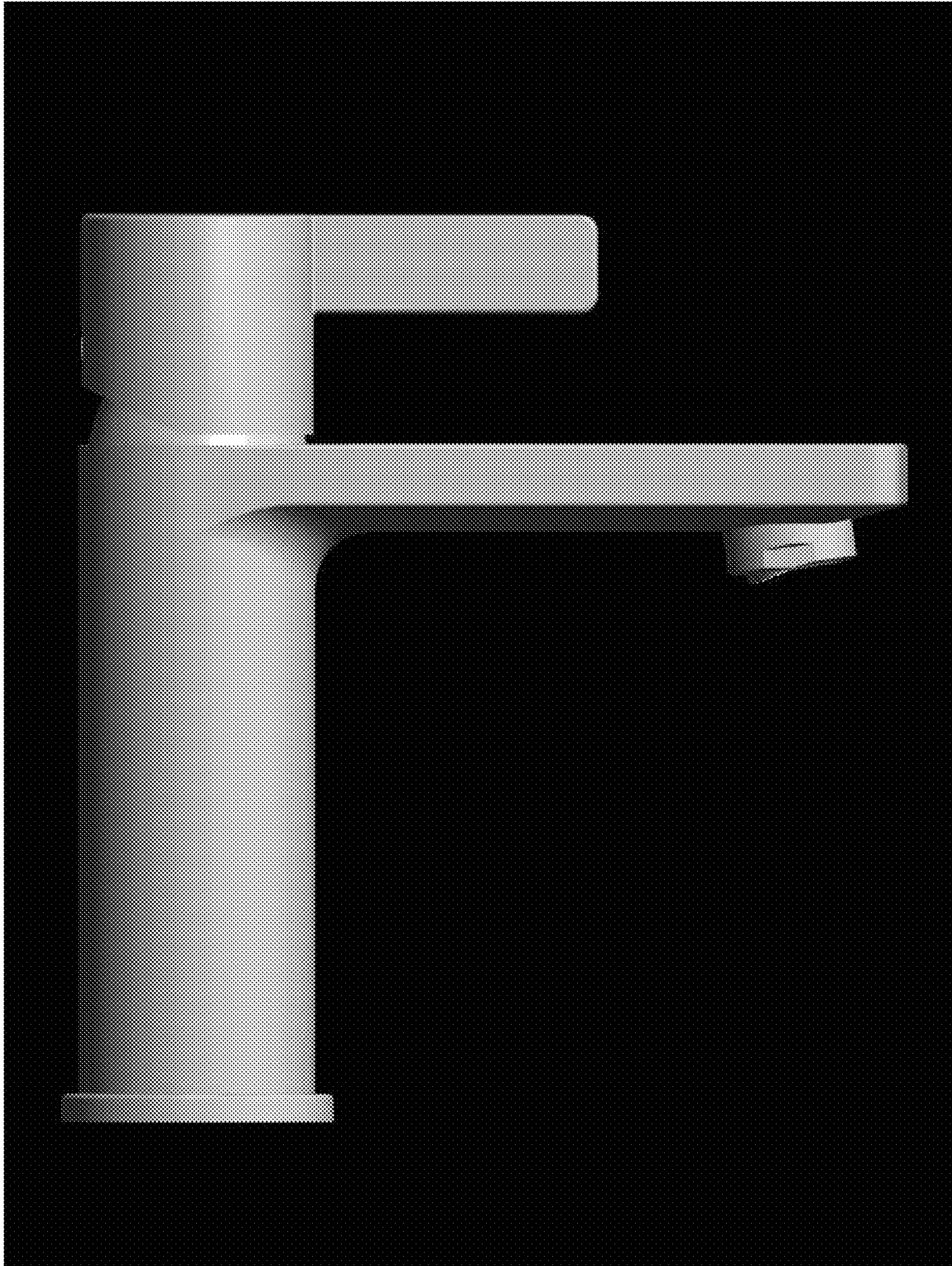
# 1.3



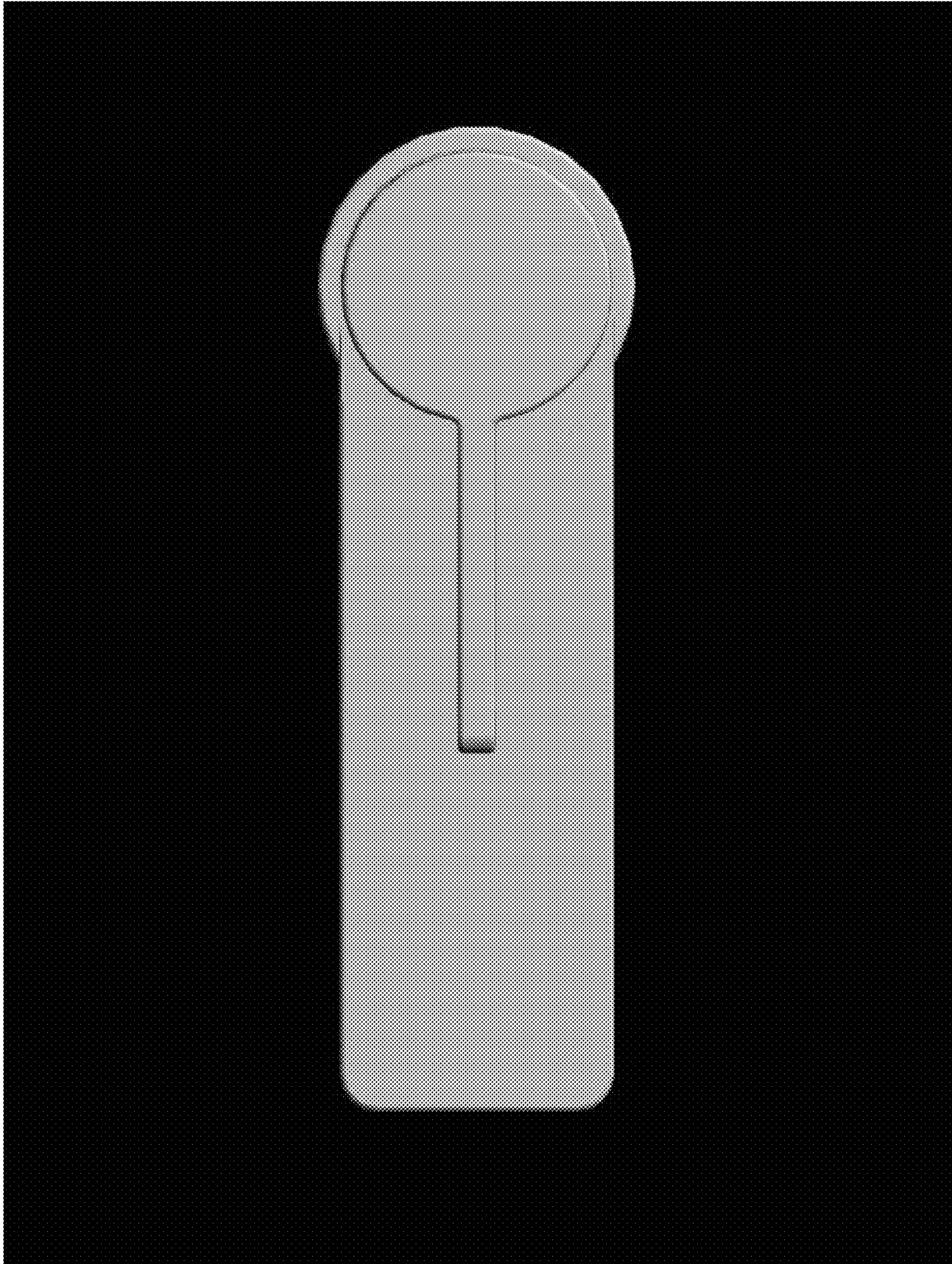
1.4



1.5



1.6



1.7

