



US00D977614S

(12) **United States Design Patent**  
**Ip**

(10) **Patent No.:** **US D977,614 S**

(45) **Date of Patent:** **\*\* Feb. 7, 2023**

(54) **SPRAYER**

(71) Applicant: **Yam Hung Ip**, Burnaby (CA)

(72) Inventor: **Yam Hung Ip**, Burnaby (CA)

(\*\*) Term: **15 Years**

(21) Appl. No.: **29/821,563**

(22) Filed: **Dec. 30, 2021**

(30) **Foreign Application Priority Data**

Jun. 30, 2021 (CN) ..... 202130411538.2

(51) **LOC (14) Cl.** ..... **23-01**

(52) **U.S. Cl.**

USPC ..... **D23/226**

(58) **Field of Classification Search**

USPC ..... D23/211, 212, 213, 214, 223, 224, 225,  
D23/226, 229

CPC ..... B05B 1/16; B05B 1/1618; B05B 7/0018;  
B05B 7/0093; B05B 7/02; B05B 7/12;  
B05B 7/2402; B05B 7/2416; B05B  
7/2478; B05B 9/01; B05B 9/0894; B05B  
12/002

See application file for complete search history.

(56) **References Cited**

**U.S. PATENT DOCUMENTS**

D318,317 S *	7/1991	Norman	.....	D23/225
D322,838 S *	12/1991	Hagedorn	.....	D23/225
D432,372 S *	10/2000	Iaciofano	.....	D8/2
7,237,728 B1 *	7/2007	Laible	.....	B05B 7/2443 239/347
D743,001 S *	11/2015	Moya	.....	D23/225
D761,937 S *	7/2016	Popek	.....	D23/225
D772,380 S *	11/2016	Fontaine	.....	D23/225
D809,097 S *	1/2018	Bates	.....	D23/225
D821,544 S	6/2018	Urry		
D827,773 S *	9/2018	Schneider	.....	D23/225
D827,774 S *	9/2018	Schneider	.....	D23/225

10,138,110 B2 *	11/2018	Bates	.....	B05B 15/62
10,259,002 B1 *	4/2019	Kuo	.....	B05B 7/2459
D851,210 S *	6/2019	Gooden	.....	D23/225
D918,341 S *	5/2021	Wang	.....	D23/225
D923,142 S	6/2021	Feng		
D930,113 S *	9/2021	Dubiel	.....	D23/213
D944,361 S *	2/2022	Nguyen	.....	D23/213
D956,926 S *	7/2022	Chen	.....	D23/225
D963,112 S *	9/2022	Duan	.....	D23/225

(Continued)

**OTHER PUBLICATIONS**

T Tova Electric Plant Sprayer, Jun. 6, 2021, Amazon, site visited Oct. 20, 2022: <https://www.amazon.ca/dp/B092M9M76H/> (Year: 2021).\*

(Continued)

*Primary Examiner* — Eric L Goodman

*Assistant Examiner* — Bobby W Jones, II

(74) *Attorney, Agent, or Firm* — ScienBiziP, P.C.

(57) **CLAIM**

The ornamental design for a sprayer, as shown and described.

**DESCRIPTION**

FIG. 1 is a front, left, and top perspective view of a sprayer, showing my design.

FIG. 2 is a rear, right, and bottom perspective view thereof.

FIG. 3 is a front elevation view thereof.

FIG. 4 is a rear elevation view thereof.

FIG. 5 is a left side elevation view thereof.

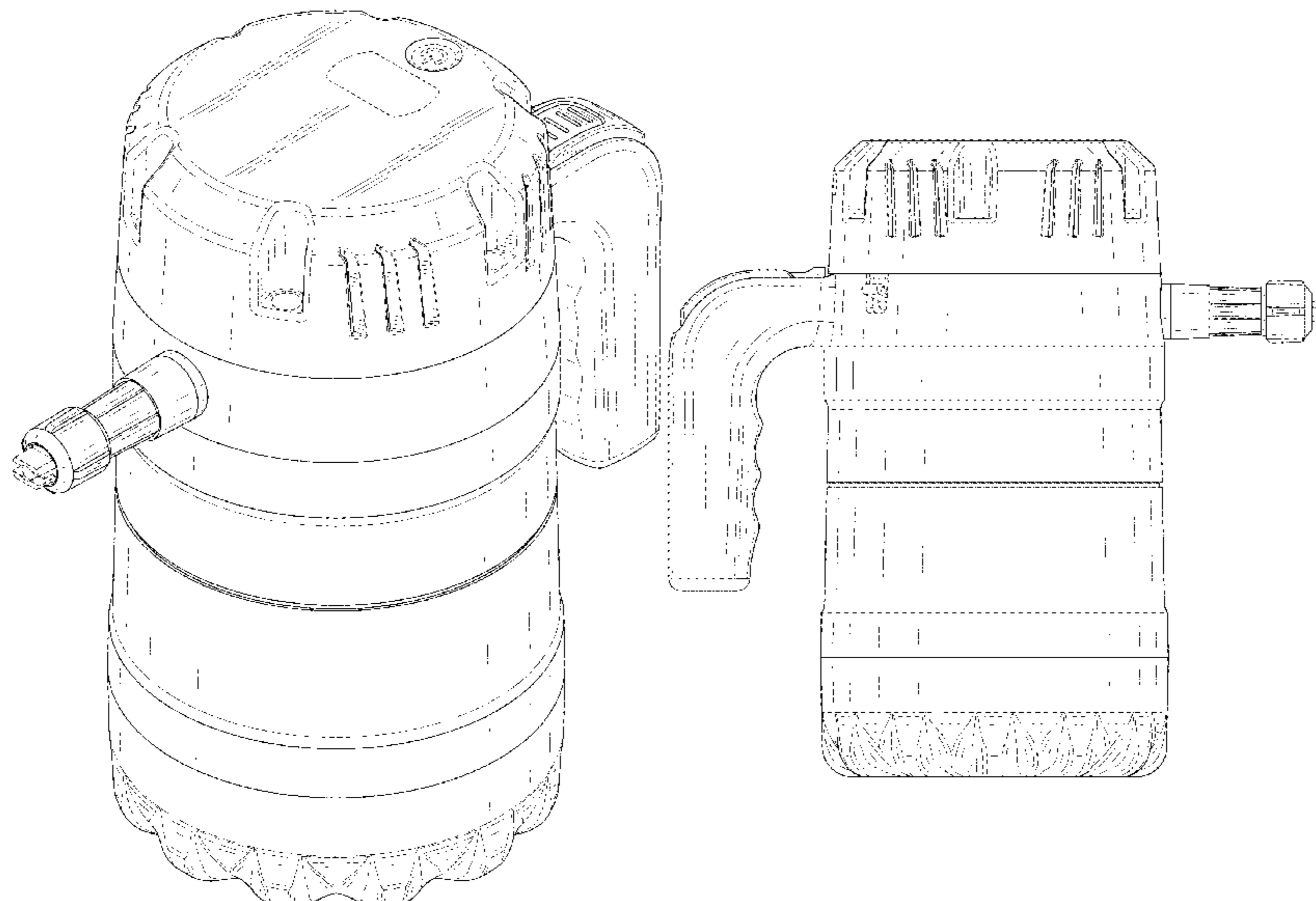
FIG. 6 is a right side elevation view thereof.

FIG. 7 is a top plan view thereof; and,

FIG. 8 is a bottom plan view thereof.

The broken lines shown in the drawings are included for the purpose of illustrating portions of the sprayer that form no part of the claimed design.

**1 Claim, 8 Drawing Sheets**



(56)

**References Cited**

U.S. PATENT DOCUMENTS

2002/0046969 A1\* 4/2002 Bartsch ..... B01J 47/026  
210/259  
2017/0120266 A1\* 5/2017 Fu ..... B05B 7/064  
2021/0154690 A1\* 5/2021 Chen ..... B05B 7/12  
2022/0234809 A1\* 7/2022 Yen ..... B65D 83/682  
2022/0297145 A1\* 9/2022 Lo ..... B05B 7/0425

OTHER PUBLICATIONS

DRXX Electric Spray Bottle, Nov. 3, 2021, Amazon, site visited  
Oct. 20, 2022: <https://www.amazon.co.uk/dp/B09KY5MMN8/> (Year:  
2021).\*

\* cited by examiner

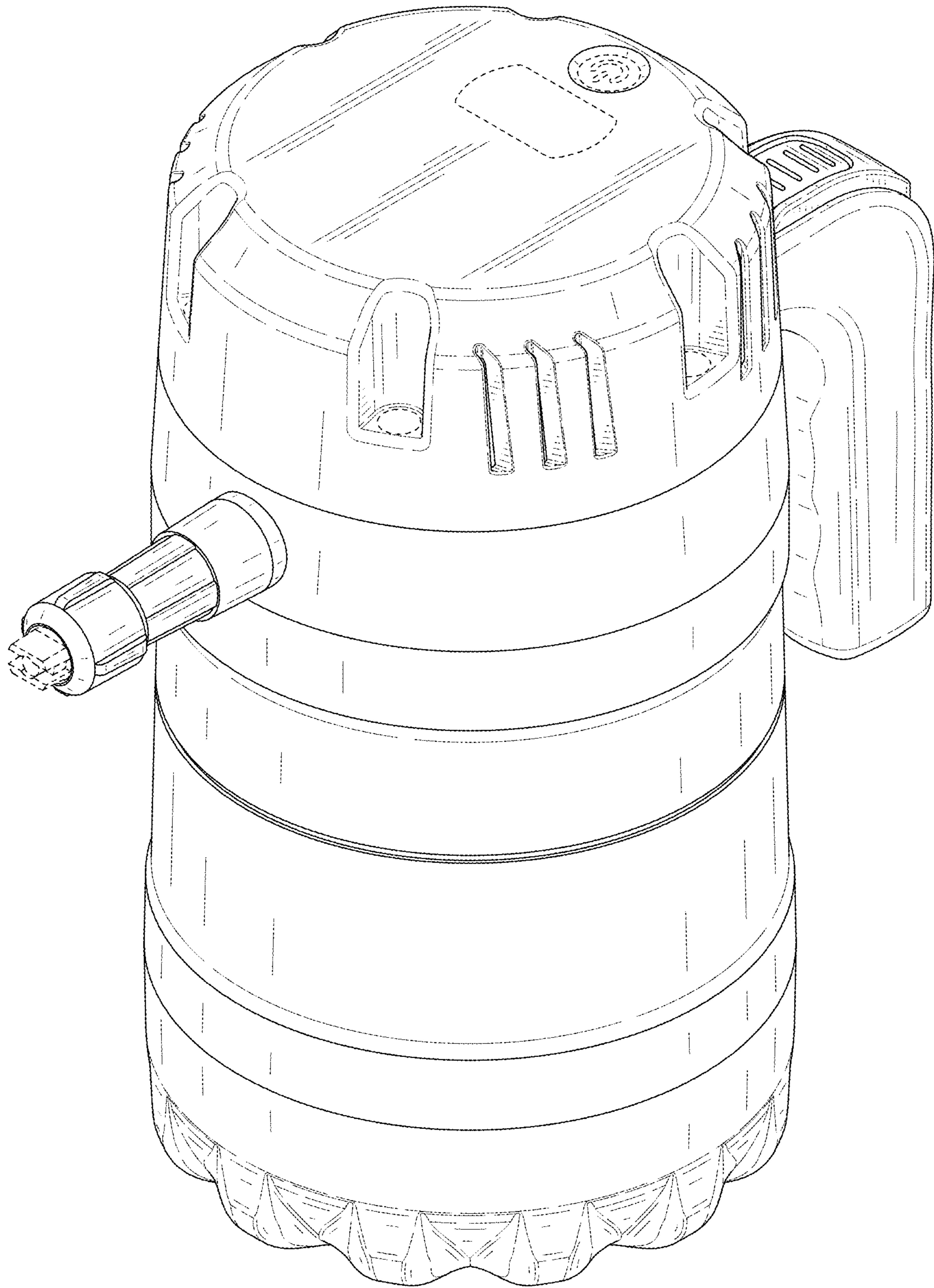


FIG. 1



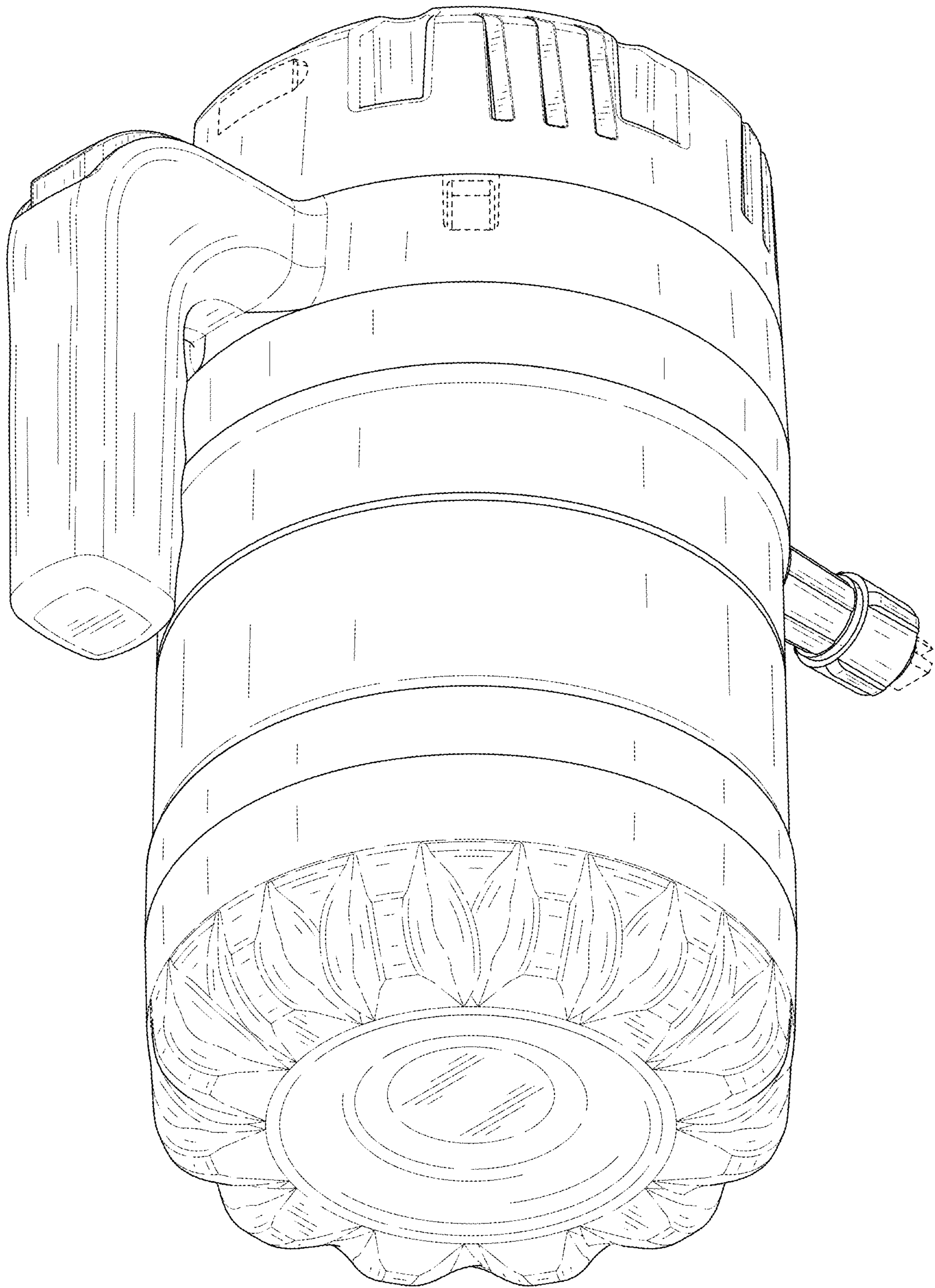


FIG. 2

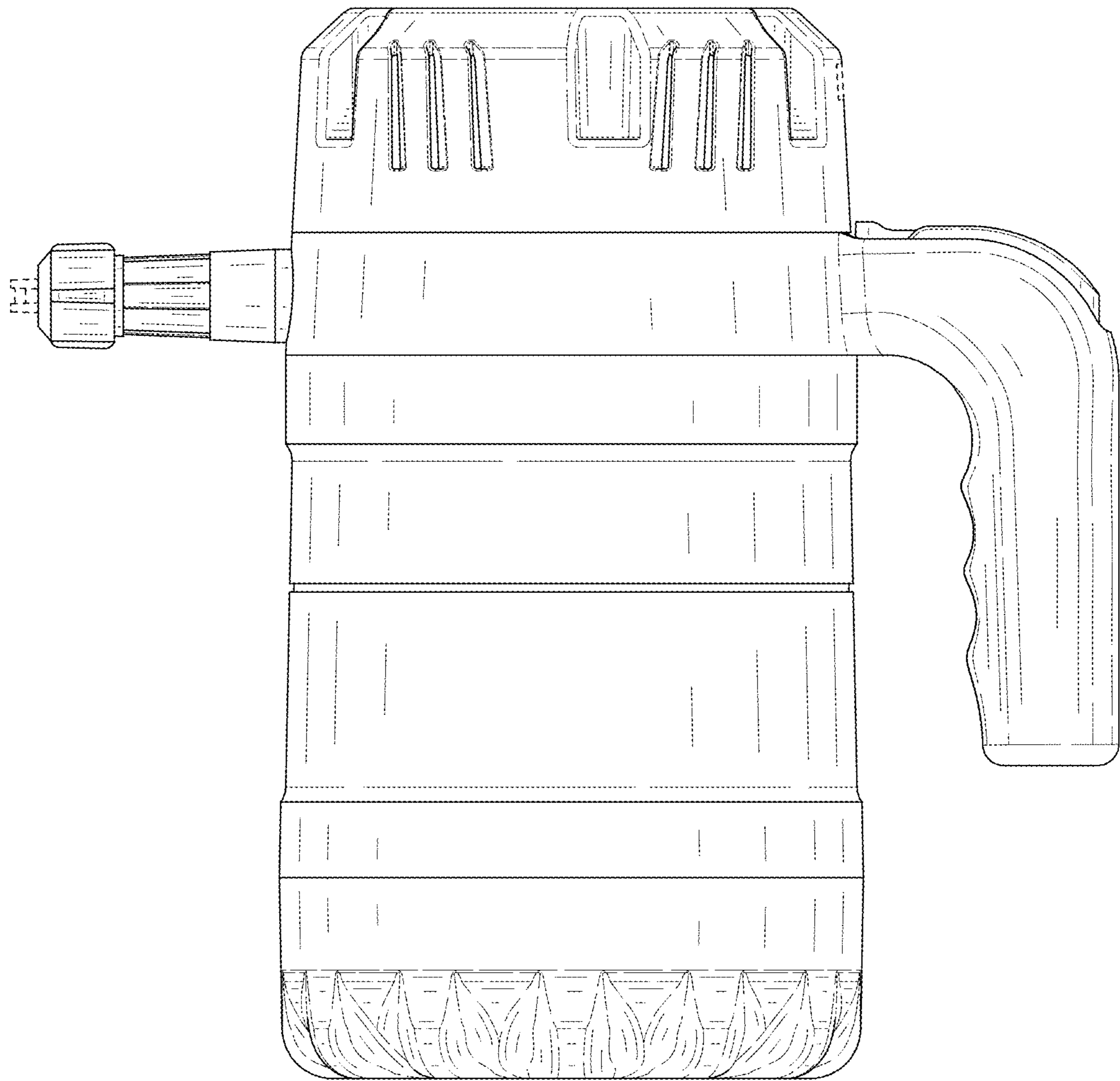


FIG. 3

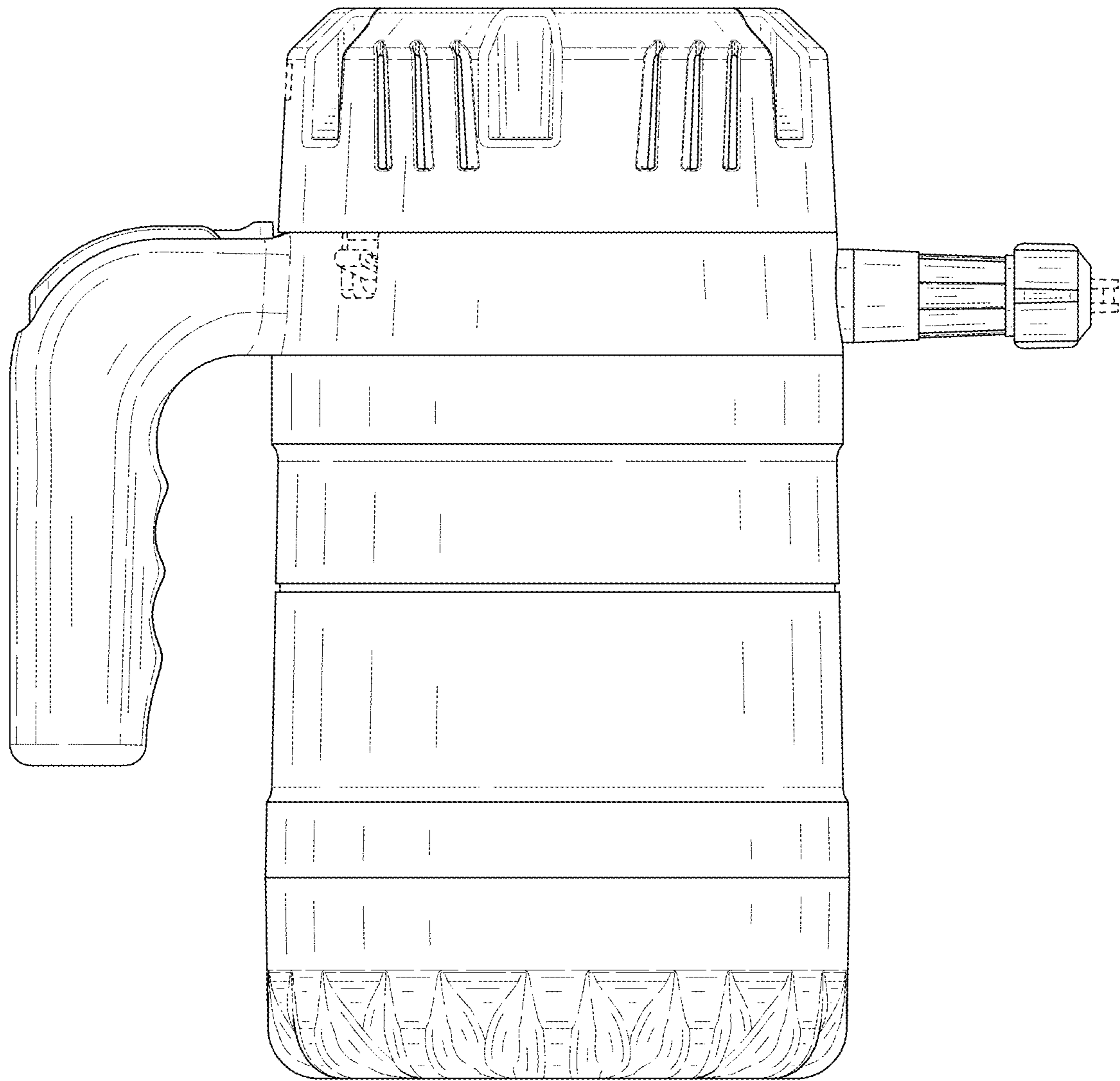


FIG. 4

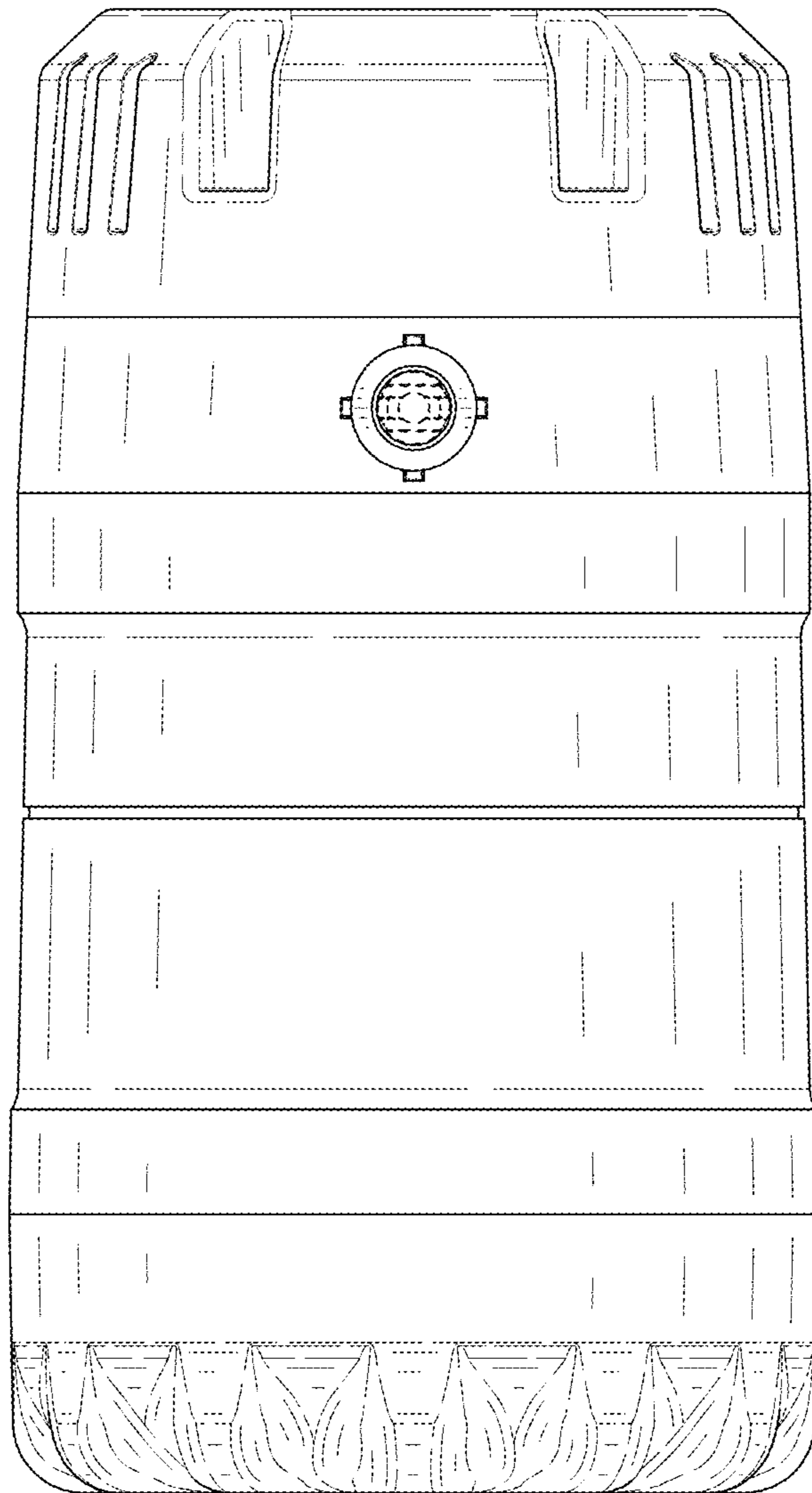


FIG. 5

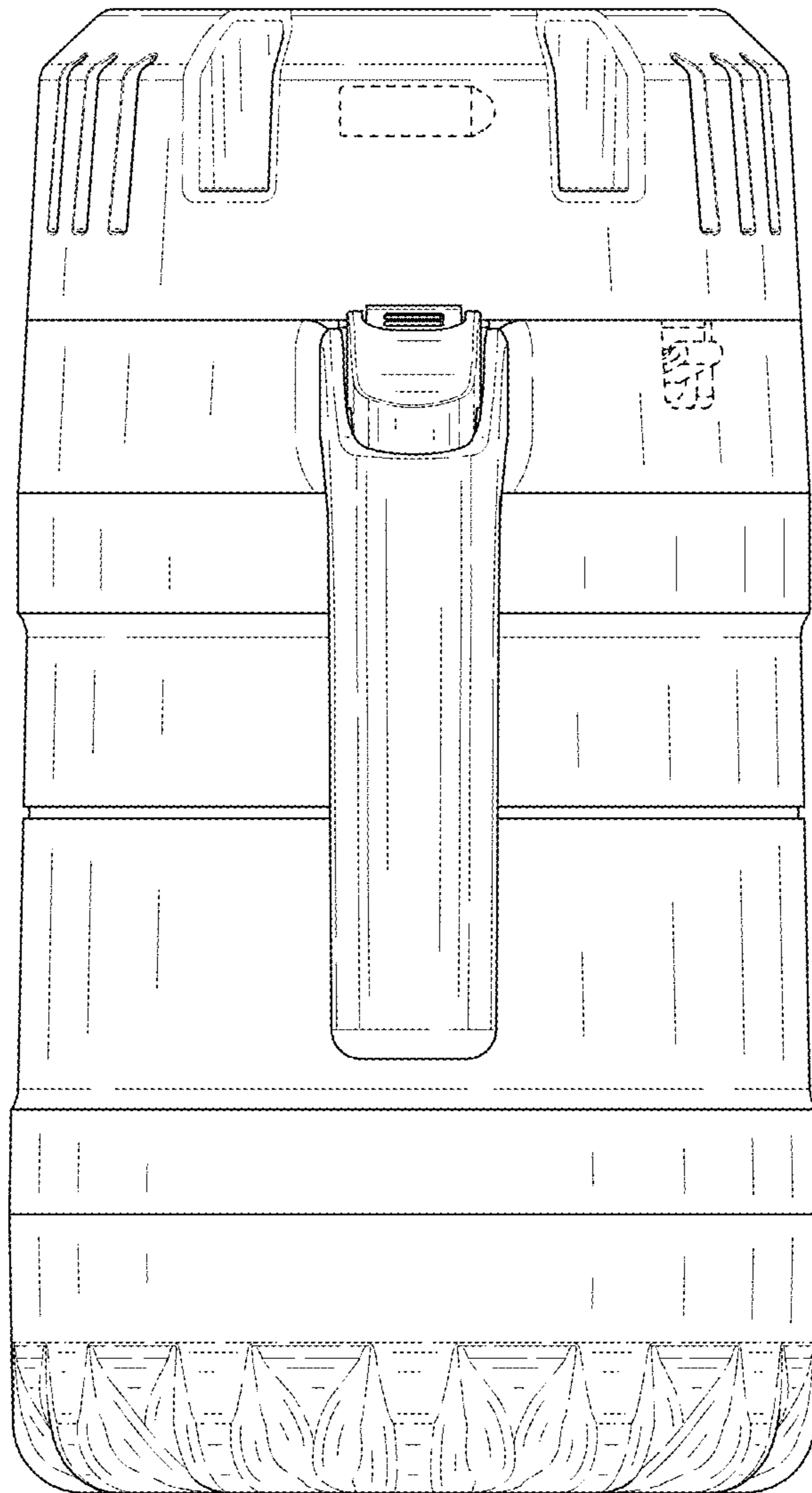


FIG. 6



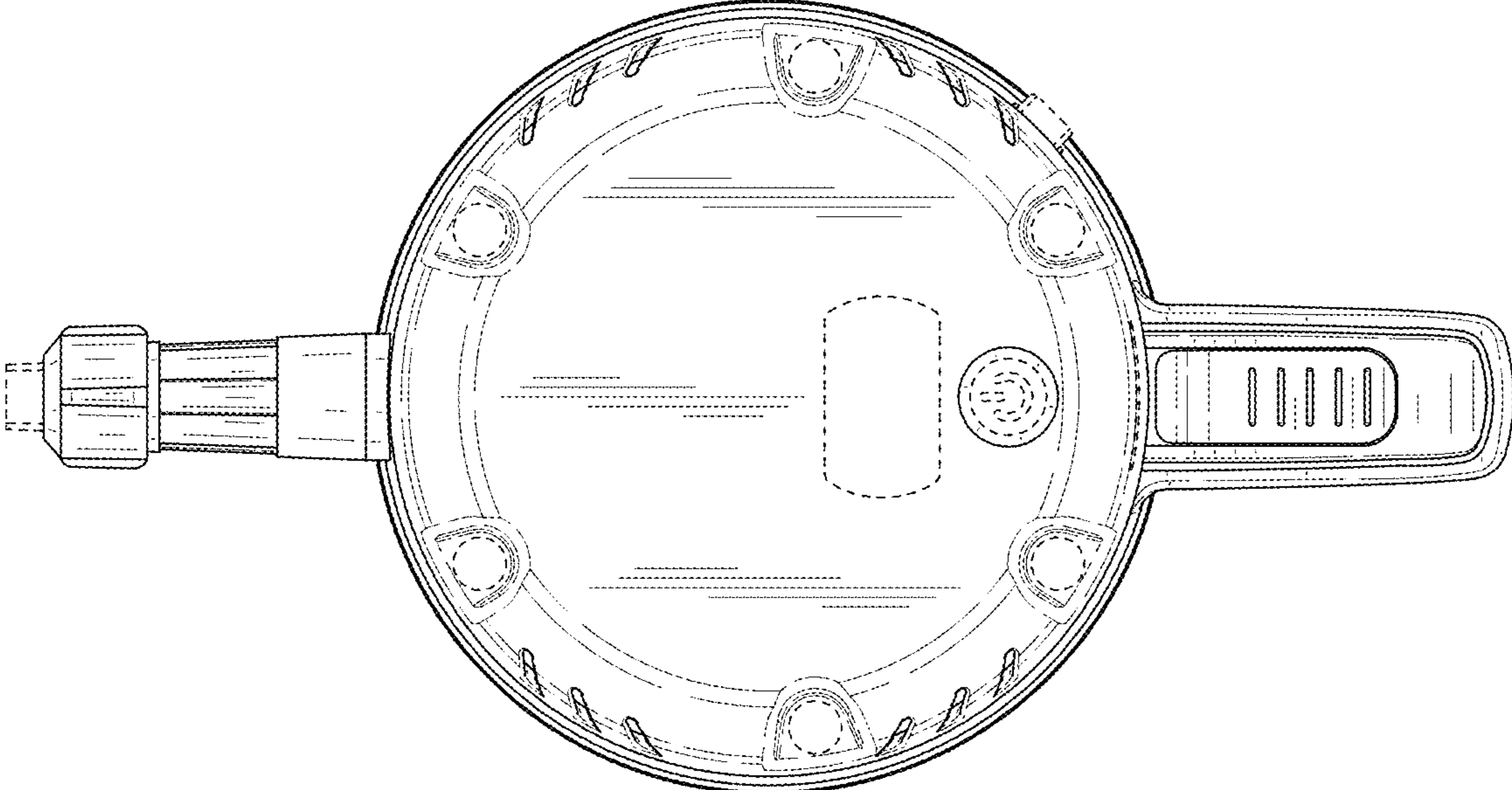


FIG. 7

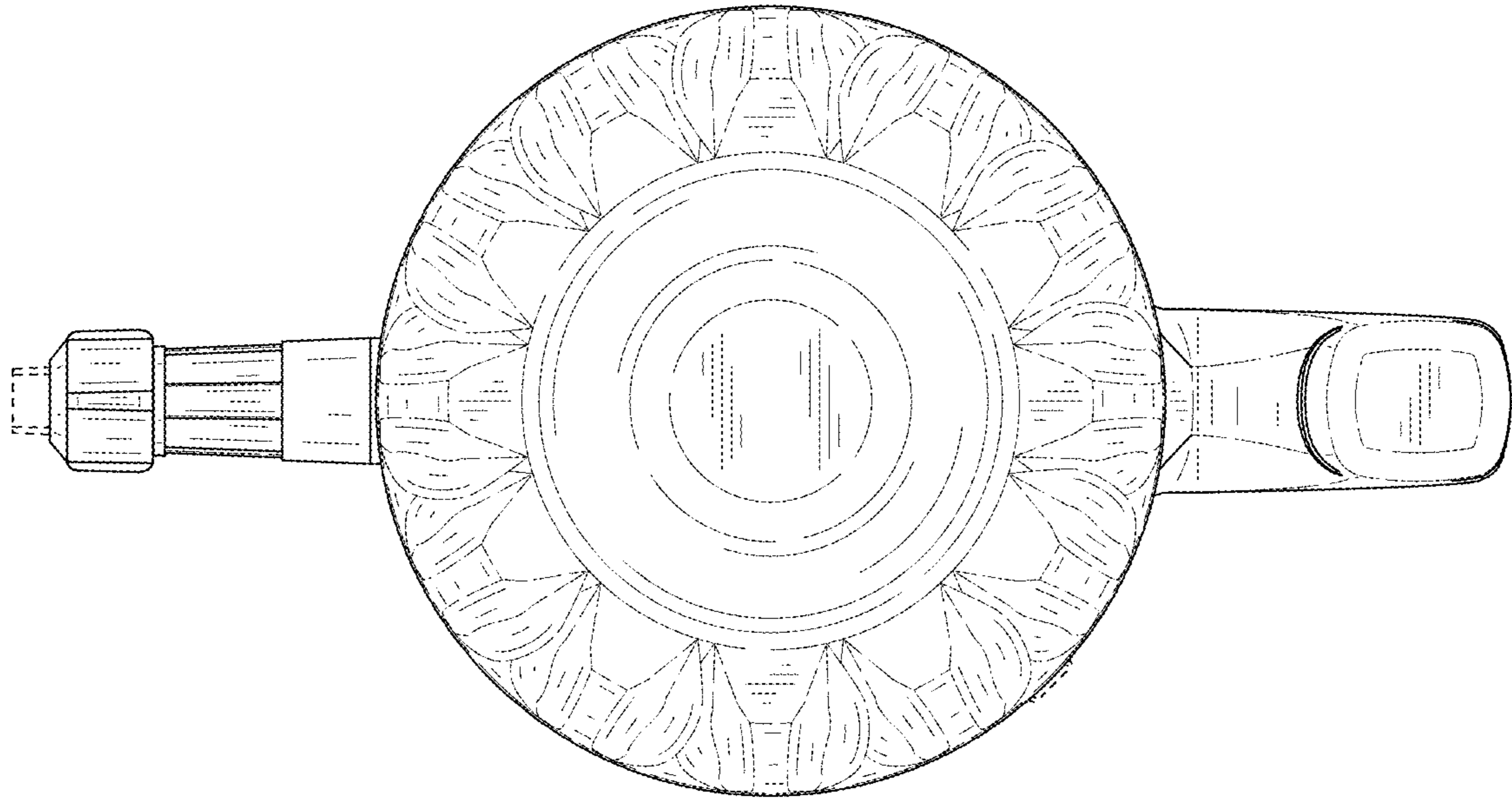


FIG. 8