



US00D977612S

(12) **United States Design Patent** (10) **Patent No.:** **US D977,612 S**
Chen (45) **Date of Patent:** **** Feb. 7, 2023**

(54) **WATERING CAN**
(71) Applicant: **TIAOXINGMA (FUZHOU) TRADING CO., LTD.**, Fuzhou (CN)
(72) Inventor: **LinYE Chen**, Fuzhou (CN)
(73) Assignee: **TIAOXINGMA (FUZHOU) TRADING CO., LTD.**, Fuzhou (CN)

(**) Term: **15 Years**
(21) Appl. No.: **29/842,594**
(22) Filed: **Jun. 14, 2022**
(51) **LOC (14) Cl.** **23-01**
(52) **U.S. Cl.**
USPC **D23/212**
(58) **Field of Classification Search**
USPC D23/212, 213, 214, 215, 223, 224, 226, D23/229, 230
CPC A61H 9/0021; A61H 33/00; B05B 1/00; B05B 1/14; B05B 1/185; B05B 1/08; B05B 1/02; B05B 1/26; B05B 12/002; B05B 1/18; B05B 9/01
See application file for complete search history.

D591,394 S * 4/2009 Ugone D23/212
D634,400 S * 3/2011 Tremblay D23/212
D635,642 S * 4/2011 Hung D23/212
D732,139 S * 6/2015 Robledo D23/212
D797,889 S * 9/2017 Peters D23/212
D800,248 S * 10/2017 Hung D23/212
D915,551 S * 4/2021 Lo D23/212
D936,783 S * 11/2021 Budak
D942,585 S * 2/2022 Yu D23/212

OTHER PUBLICATIONS

Novelty Mfg Co 30301 Watering Can, 2-Gallon, Green, Oct. 11, 2010, amazon.ca, Mar. 4, 2022, URL: <https://www.amazon.ca/Novelty-Mfg-30301-Watering-2-Gallon/dp/B000O2R5FM/> (Year: 2010).*

(Continued)

Primary Examiner — Keith J Wilson
(74) *Attorney, Agent, or Firm* — ScienBiziP, P.C.

(57) **CLAIM**

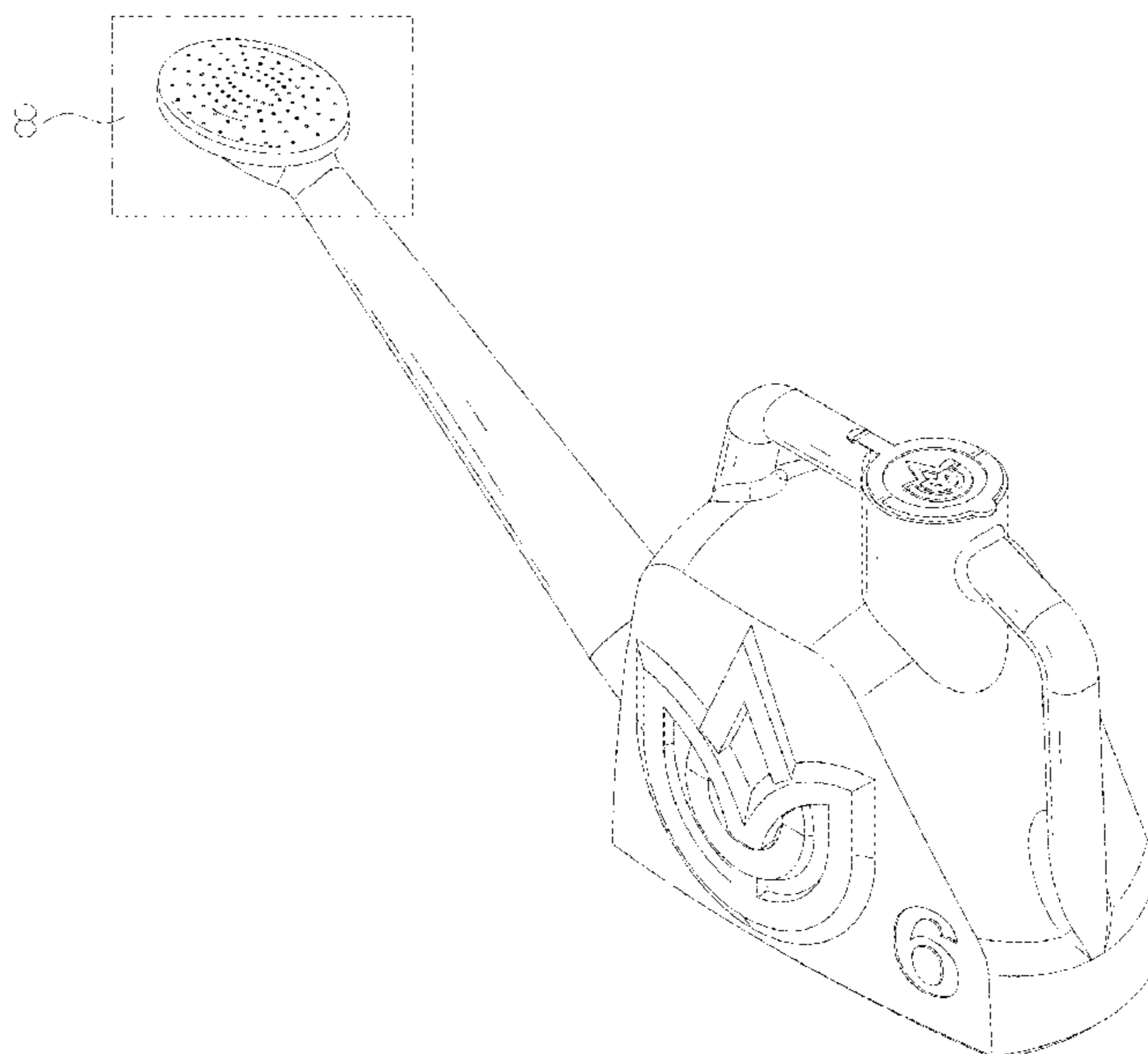
The ornamental design for a watering can, as shown and described.

DESCRIPTION

FIG. 1 is a front, right and top perspective view of a watering can, showing my design.
FIG. 2 is a front elevation view thereof.
FIG. 3 is a rear elevation view thereof.
FIG. 4 is a left side elevation view thereof.
FIG. 5 is a right side elevation view thereof.
FIG. 6 is a top plan view thereof.
FIG. 7 is a bottom plan view thereof; and,
FIG. 8 is a partial enlarged view of an area labeled 8 in FIG. 1.
The dot-dash broken lines in FIGS. 1 and 8 depict the boundaries of the enlargements that form no part of the claimed design.

1 Claim, 8 Drawing Sheets

(56) **References Cited**
U.S. PATENT DOCUMENTS
D314,810 S * 2/1991 Carlson D23/212
D318,095 S * 7/1991 Hankammer D23/212
D320,431 S * 10/1991 Mattei D23/212
D325,768 S * 4/1992 Hankammer D23/212
D375,139 S * 10/1996 Thorp D23/212
D416,978 S * 11/1999 Haley D23/212
D425,602 S * 5/2000 Koziol D23/212
D447,788 S * 9/2001 Rosenberg D23/212
D459,431 S * 6/2002 Rosenberg D23/212
D468,799 S * 1/2003 Kortleven D23/212
D486,553 S * 2/2004 Tremblay D23/212
D570,445 S * 6/2008 Sellers D23/212



(56)

References Cited

OTHER PUBLICATIONS

5L/8L Watering Can, Thickened Watering Kettle with Long Mouth, May 11, 2021, amazon.ca, Mar. 4, 2022, URL: <https://www.amazon.ca/dp/B094NDSZFG/> (Year: 2022).*

5L Watering Can, Detachable Large Capacity Watering Can with Long Mouth, May 20, 2021, amazon.ca, Mar. 4, 2022, URL: <https://www.amazon.ca/Watering-Detachable-Capacity-Vegetable-Gardening/dp/B095HNBBR7/> (Year: 2021).*

Indoor Watering Can, 1 Gallon, Red, Nov. 2, 2015, amazon.ca, Aug. 23, 2022, URL: <https://www.amazon.ca/Indoor-Watering-Can-Gallon-Red/dp/B014LSAHBS/> (Year: 2015).*

* cited by examiner

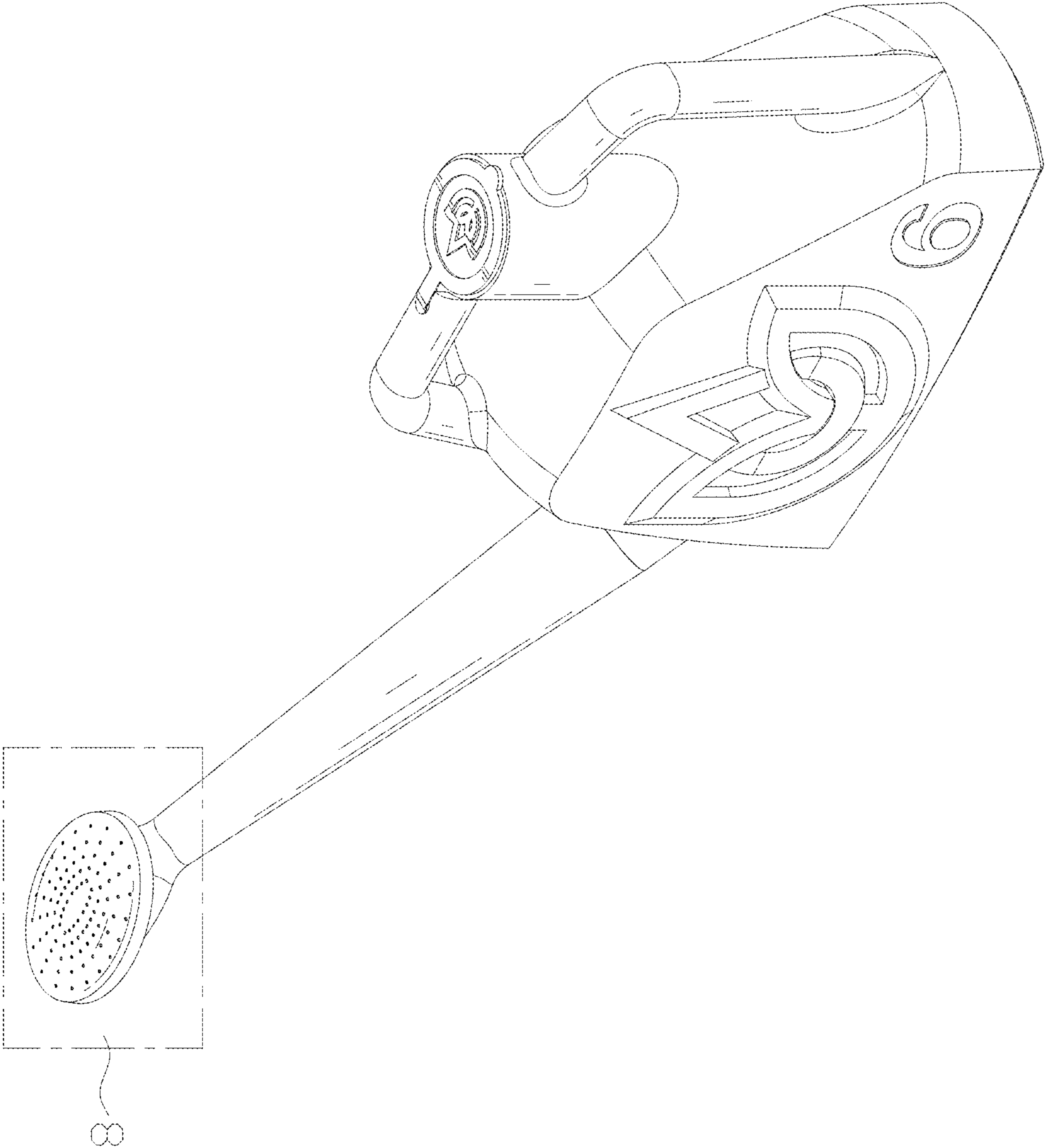


FIG. 1

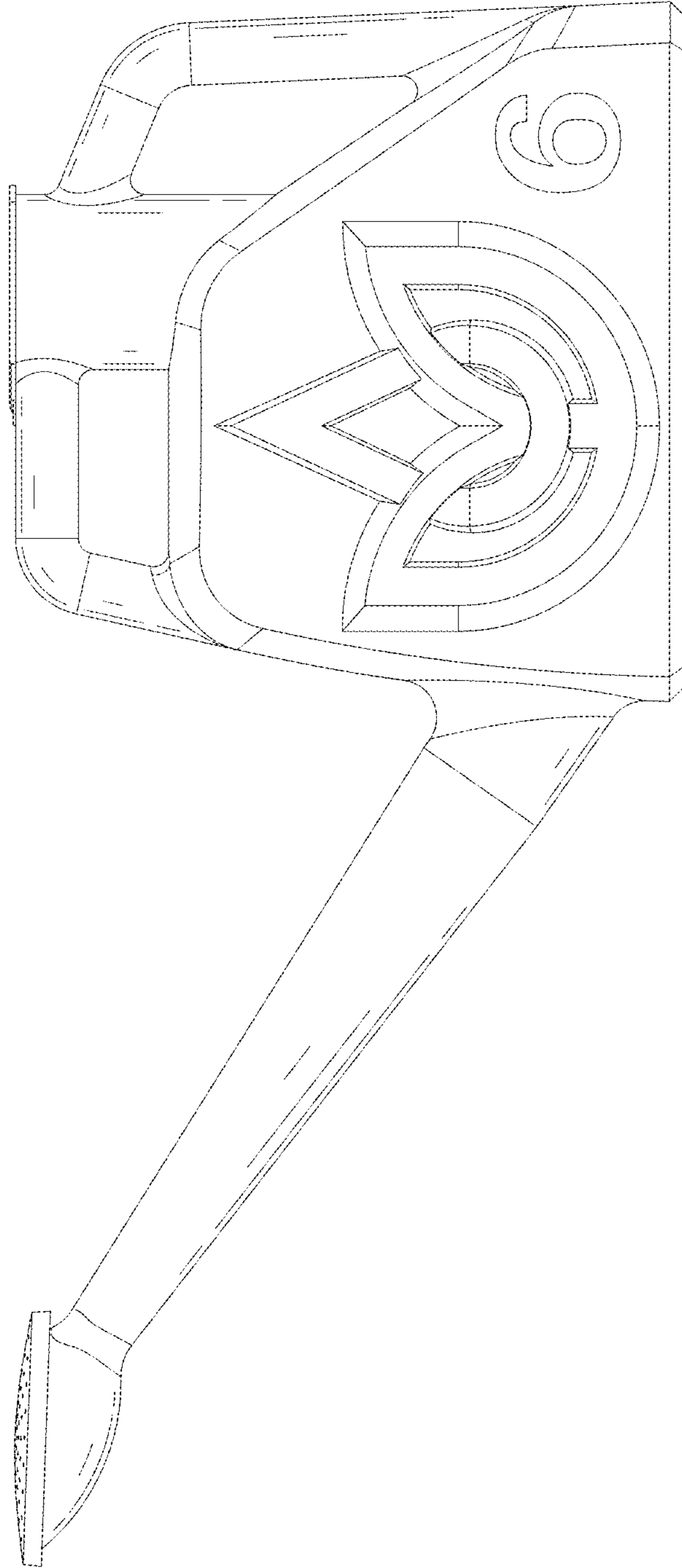


FIG. 2

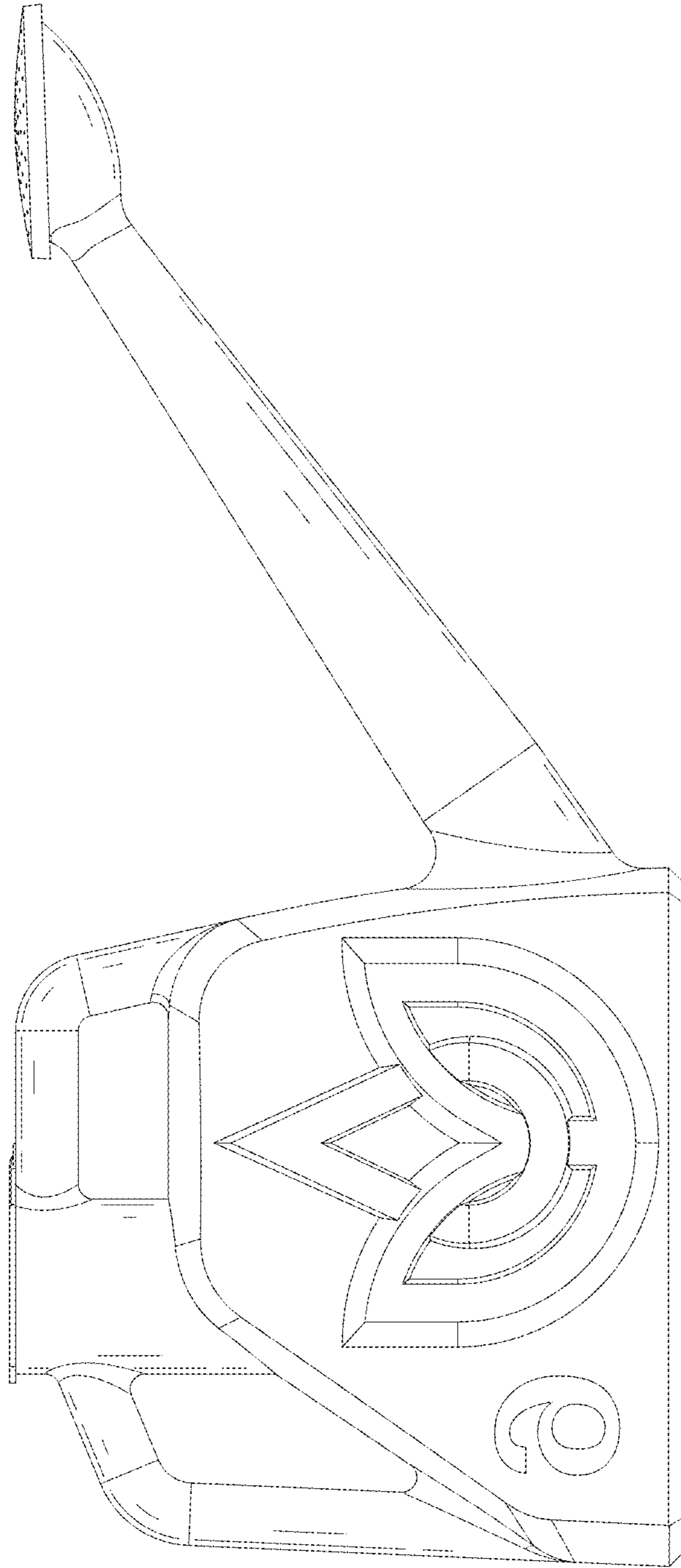


FIG. 3

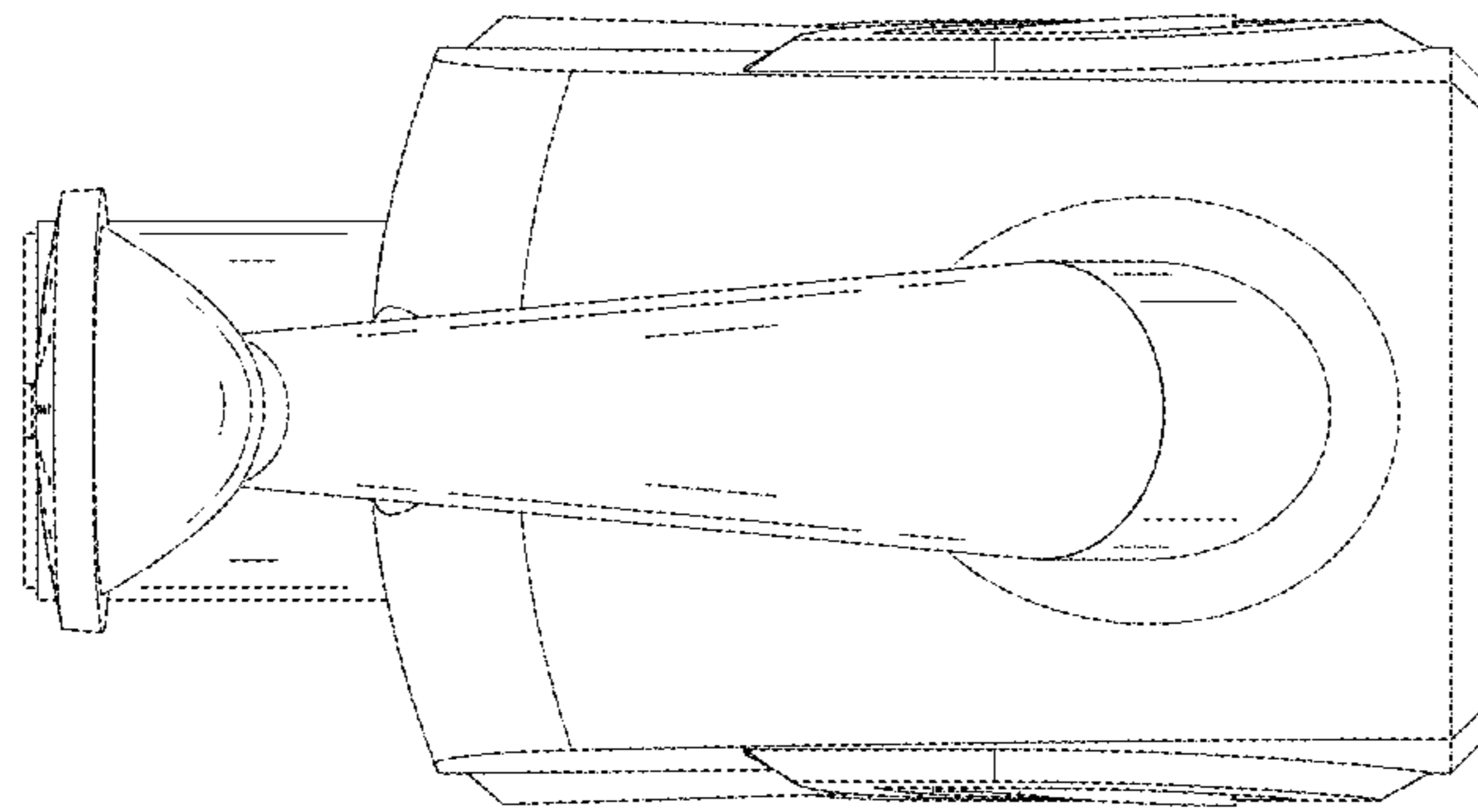


FIG. 4

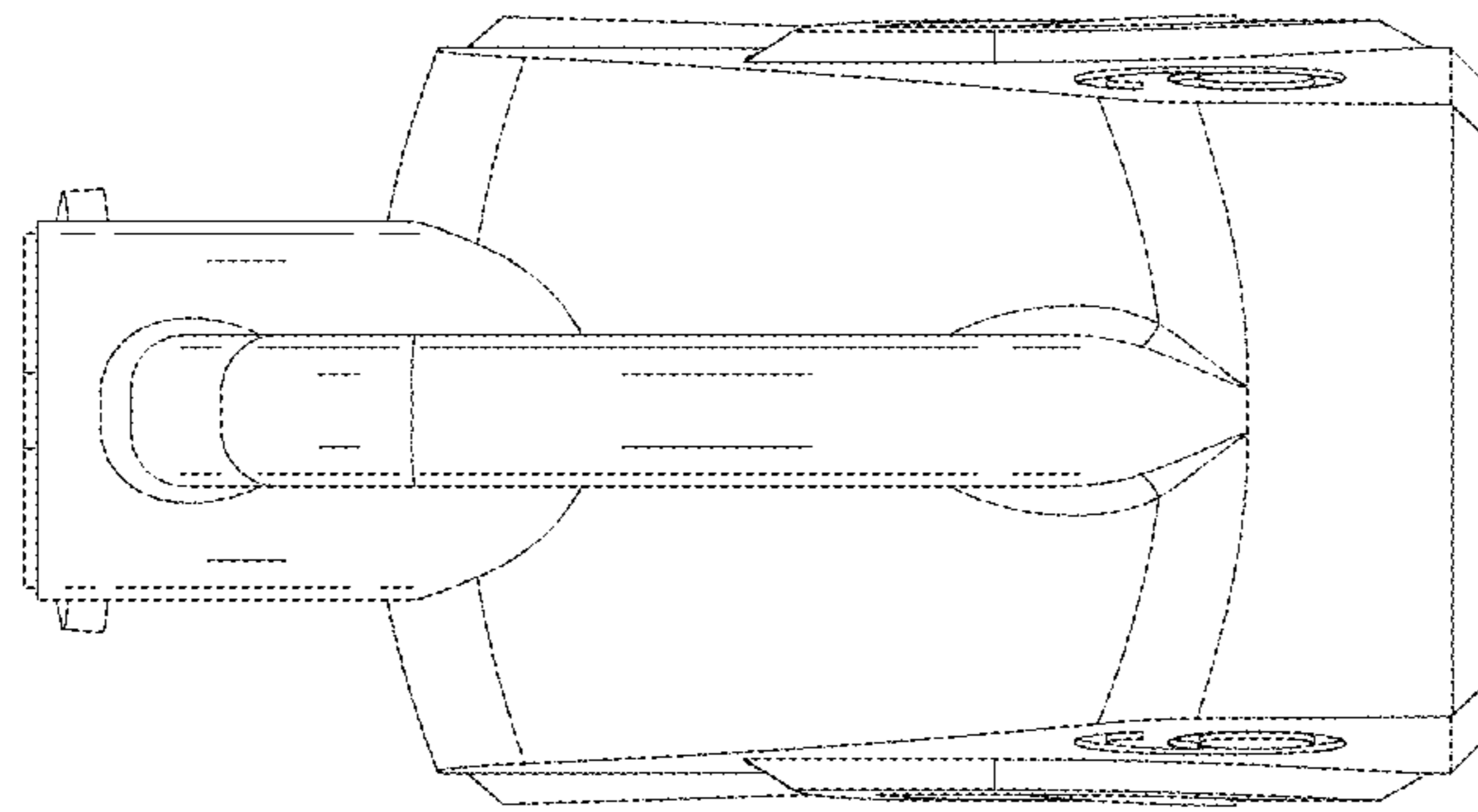


FIG. 5

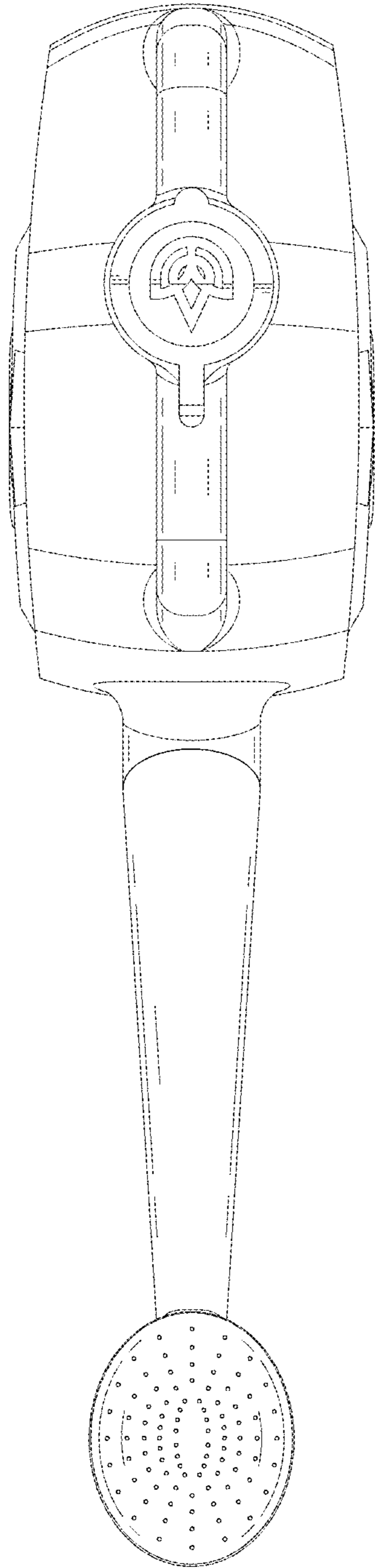


FIG.6

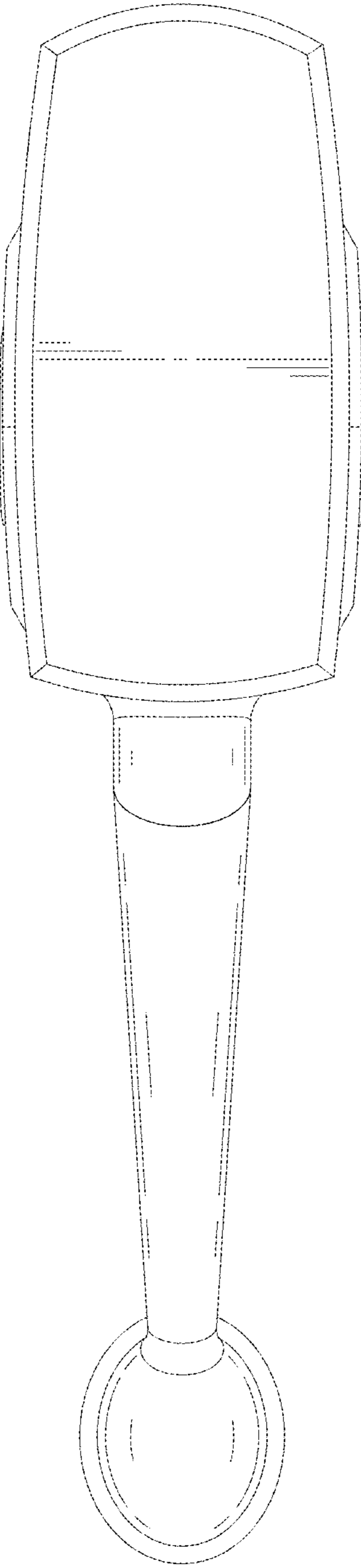


FIG. 7

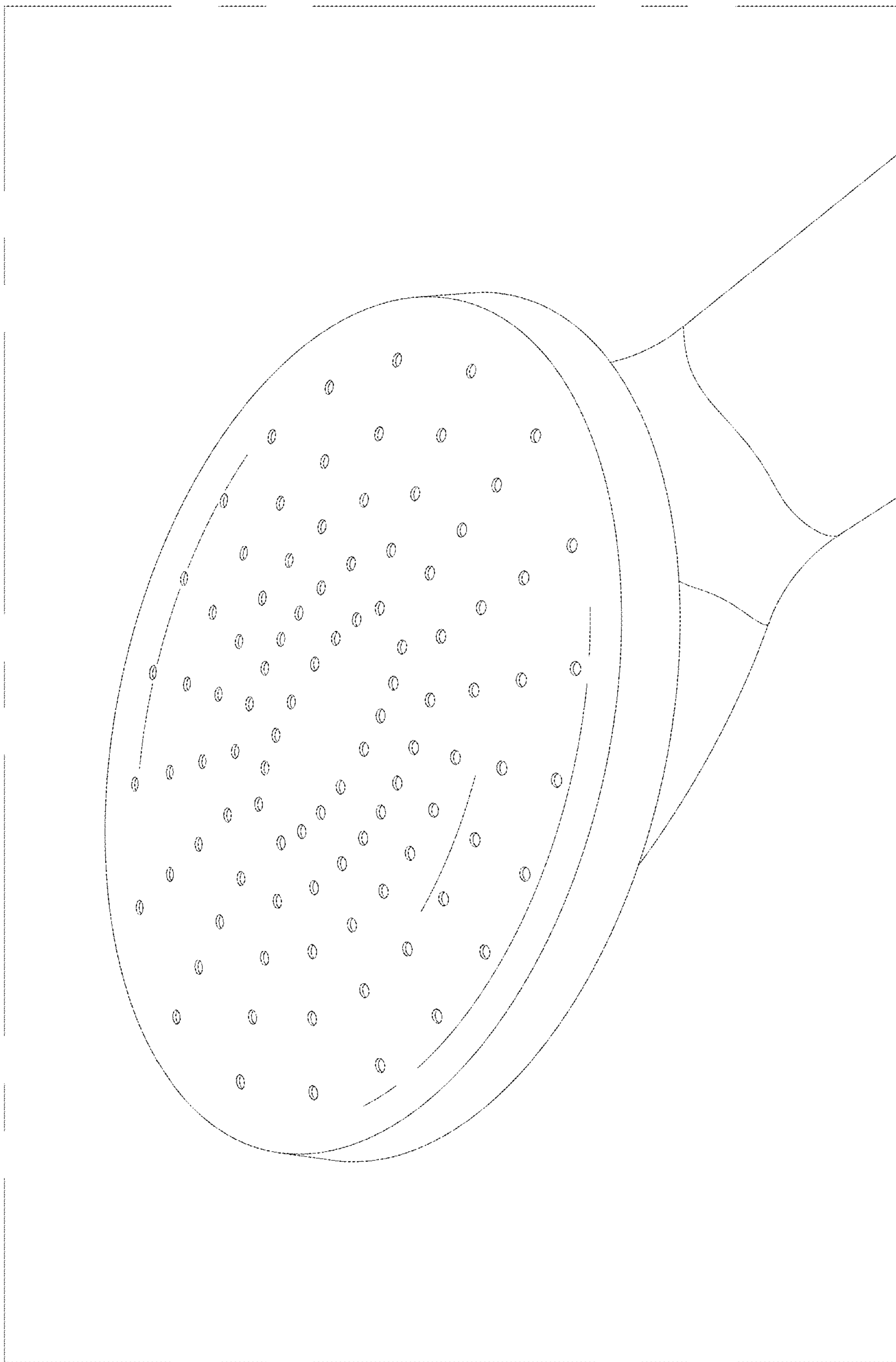


FIG. 8