

US00D977610S

(12) **United States Design Patent**  
**Maw**

(10) **Patent No.:** **US D977,610 S**  
(45) **Date of Patent:** **\*\* Feb. 7, 2023**

- (54) **FILTER CARTRIDGE**
- (71) Applicant: **SoClean, Inc.**, Peterborough, NH (US)
- (72) Inventor: **Kurt Michael Maw**, Salem, MA (US)
- (73) Assignee: **SOCLEAN INC.**, Peterborough, NH (US)

10,427,961	B2	10/2019	Leyva et al.	
D881,337	S *	4/2020	Kirk	D23/209
D884,141	S *	5/2020	Cannon	D23/366
D886,976	S *	6/2020	Horner	D23/365
D907,209	S *	1/2021	Maw	D24/162
D907,210	S *	1/2021	Maw	D24/162
D912,762	S *	3/2021	Horner	D23/209
D941,473	S *	1/2022	Maw	D24/162

(Continued)

- (\*\*) Term: **15 Years**
- (21) Appl. No.: **29/684,213**
- (22) Filed: **Mar. 19, 2019**
- (51) **LOC (14) Cl.** ..... **23-01**
- (52) **U.S. Cl.**  
USPC ..... **D23/209; D24/162**
- (58) **Field of Classification Search**  
USPC ..... D23/202, 205, 207, 209, 210, 259, 260,  
D23/262; D24/162  
CPC ..... B01D 2201/29; B01D 2201/30; B01D  
2201/291; B01D 2201/296; B01D  
2201/298; B01D 2201/301; B01D  
2201/302; B01D 2201/303; B01D  
2201/304; B01D 2201/306; B01D  
2201/309; B01D 36/001; B01D 35/02;  
B01D 35/30; B01D 29/111  
See application file for complete search history.

(56) **References Cited**

**U.S. PATENT DOCUMENTS**

D412,552	S *	8/1999	Burrows	D23/209
D524,998	S	7/2006	Nickerson et al.	
D566,365	S *	4/2008	Wentz	D34/1
D679,825	S	4/2013	Elkerbout et al.	
D686,694	S *	7/2013	Li	D23/210
D719,673	S	12/2014	Leyva et al.	
D775,344	S *	12/2016	Wu	D24/162
9,610,373	B2	4/2017	Leyva	
9,669,124	B2	6/2017	Leyva et al.	
D825,778	S	8/2018	Brenner et al.	
D848,635	S	5/2019	Davis	

**OTHER PUBLICATIONS**

U.S. Appl. No. 29/684,168, filed Mar. 19, 2019.

(Continued)

*Primary Examiner* — Calvin E Vansant

(74) *Attorney, Agent, or Firm* — Grossman, Tucker, Perreault & Pflieger, PLLC

(57) **CLAIM**

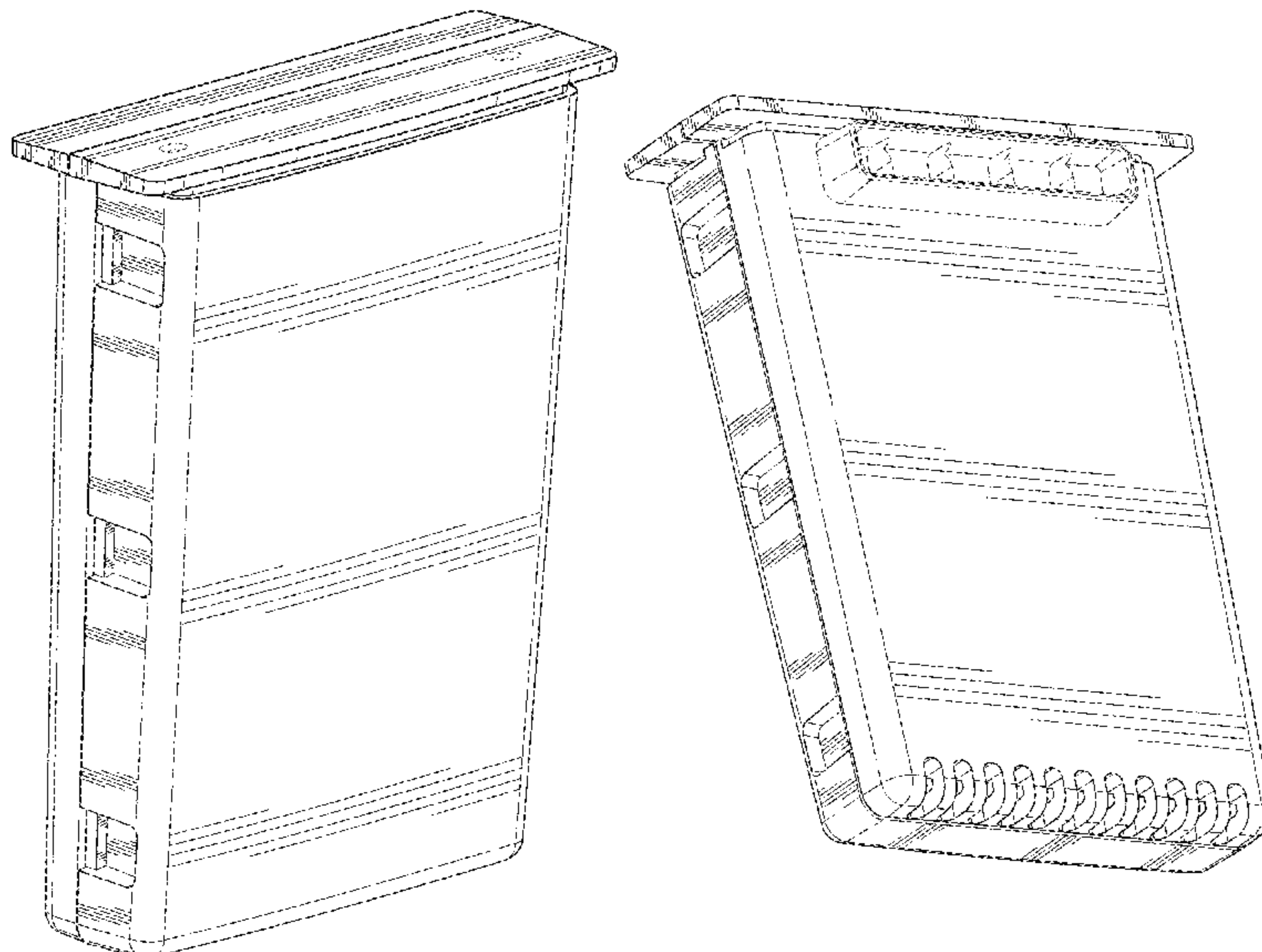
The ornamental design of a filter cartridge, as shown and described.

**DESCRIPTION**

FIG. 1 is a rear top right perspective view of a filter cartridge, showing the new design;  
 FIG. 2 is a rear top left perspective view thereof;  
 FIG. 3 is a front top left perspective view thereof;  
 FIG. 4 is a front top right perspective view thereof;  
 FIG. 5 is a rear bottom right perspective view thereof;  
 FIG. 6 is a rear bottom left perspective view thereof;  
 FIG. 7 is a rear view thereof;  
 FIG. 8 is a front view thereof;  
 FIG. 9 is a left side view thereof;  
 FIG. 10 is a right side thereof;  
 FIG. 11 is a top view thereof; and,  
 FIG. 12 is a bottom view thereof.

The broken lines in the figures show portions of the filter cartridge that form no part of the claimed design.

**1 Claim, 12 Drawing Sheets**



(56)

**References Cited**

U.S. PATENT DOCUMENTS

D942,584 S \* 2/2022 Li ..... F02M 37/42  
D23/210  
D952,180 S \* 5/2022 Knight ..... B65D 43/169  
D24/224  
2006/0076352 A1\* 4/2006 Peterson ..... B65D 43/169  
264/250  
2015/0013289 A1\* 1/2015 Hasenfratz ..... B01D 46/10  
55/497  
2022/0106933 A1\* 4/2022 Kitajima ..... F02M 37/42

OTHER PUBLICATIONS

U.S. Appl. No. 29/684,173, filed Mar. 19, 2019.  
U.S. Appl. No. 29/684,180, filed Mar. 19, 2019.  
U.S. Appl. No. 29/684,188, filed Mar. 19, 2019.  
U.S. Appl. No. 29/684,196, filed Mar. 19, 2019.  
U.S. Appl. No. 29/684,206, filed Mar. 19, 2019.  
U.S. Appl. No. 29/684,229, filed Mar. 19, 2019.  
Notice of Allowance dated Mar. 6, 2020, issued in U.S. Appl. No.  
29/684,168, 8 pages.  
Notice of Allowance dated Mar. 9, 2020, issued in U.S. Appl. No.  
29/684,173, 8 pages.

\* cited by examiner

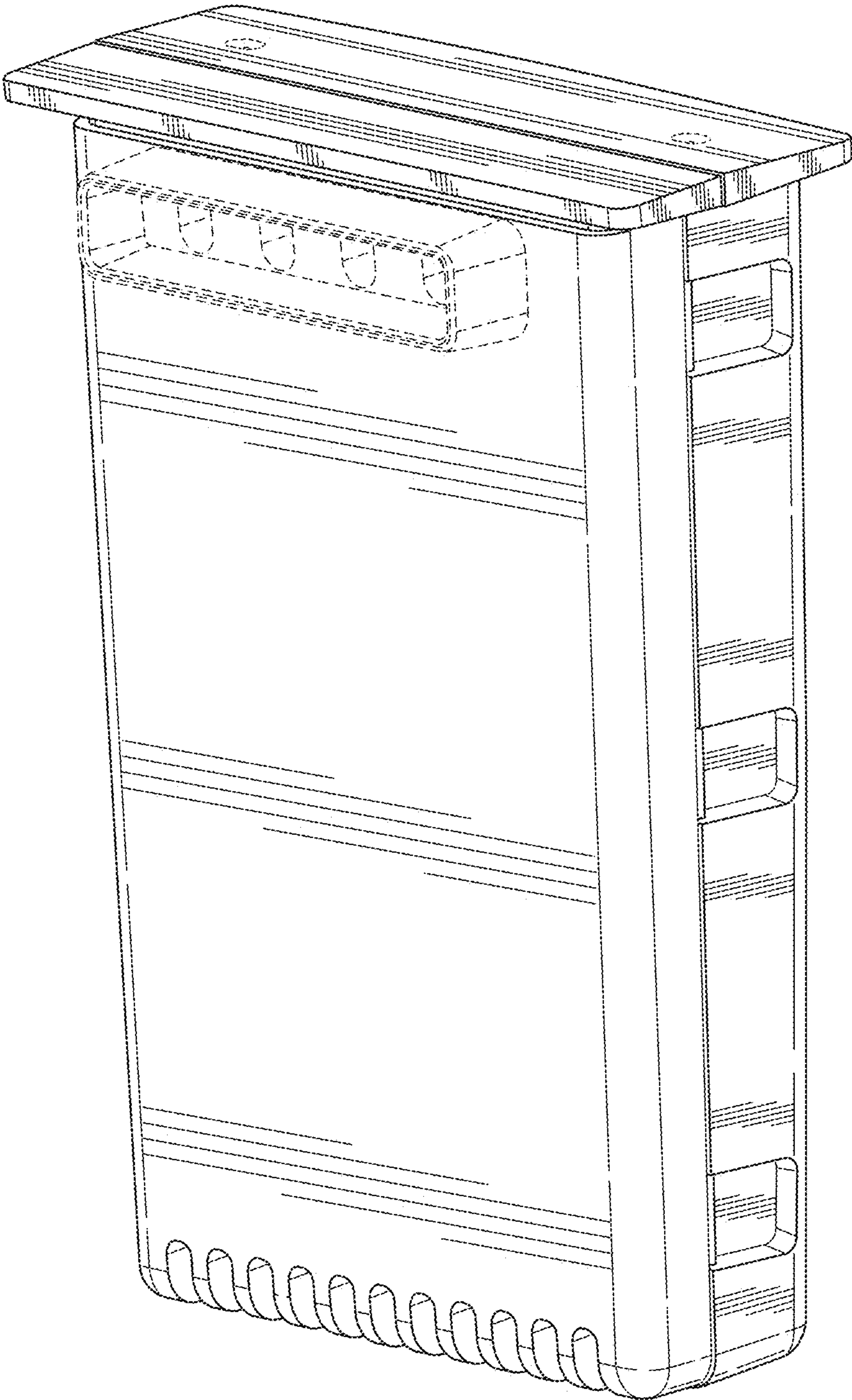


FIG. 1



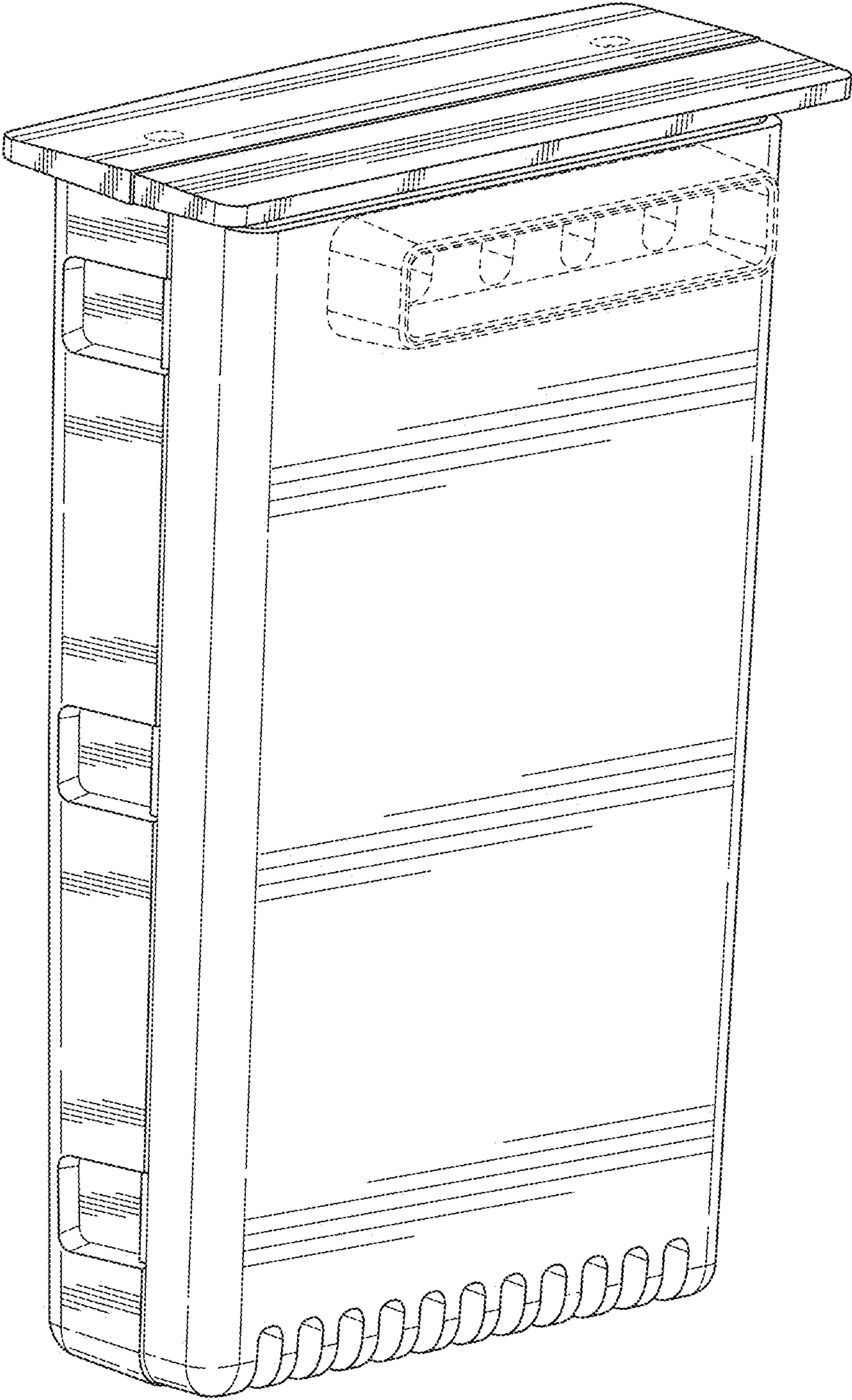


FIG. 2

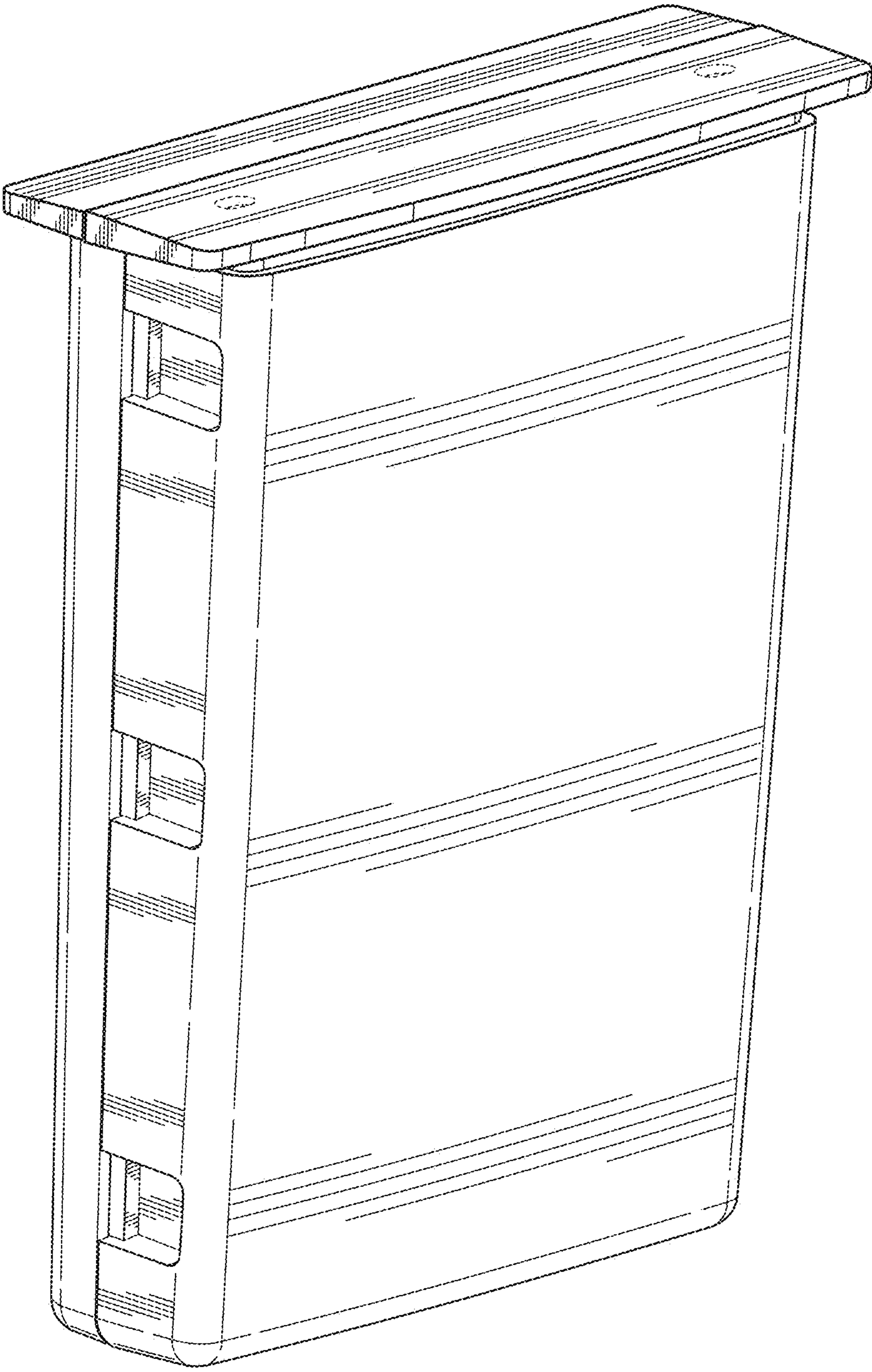


FIG. 3

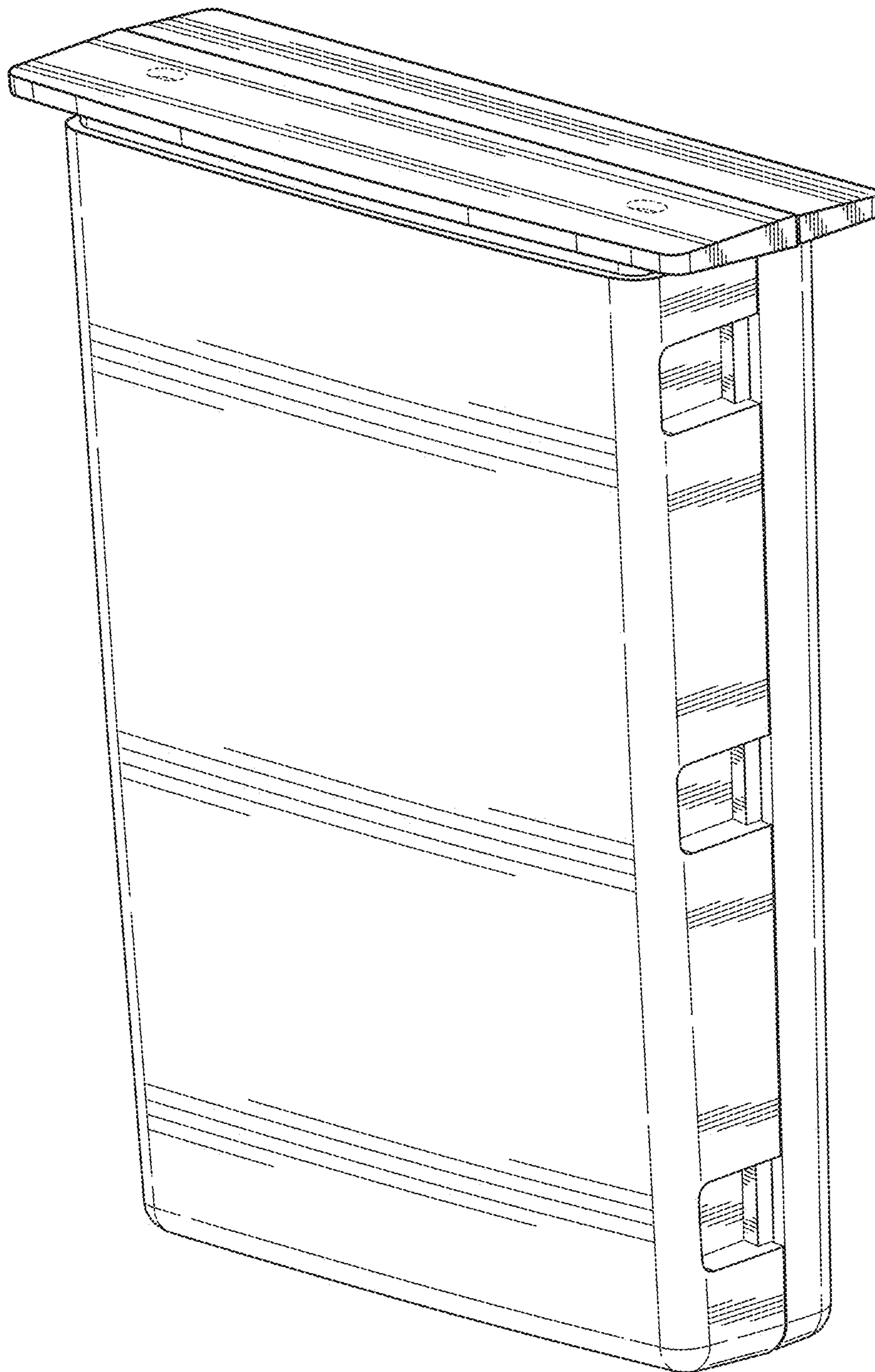


FIG. 4

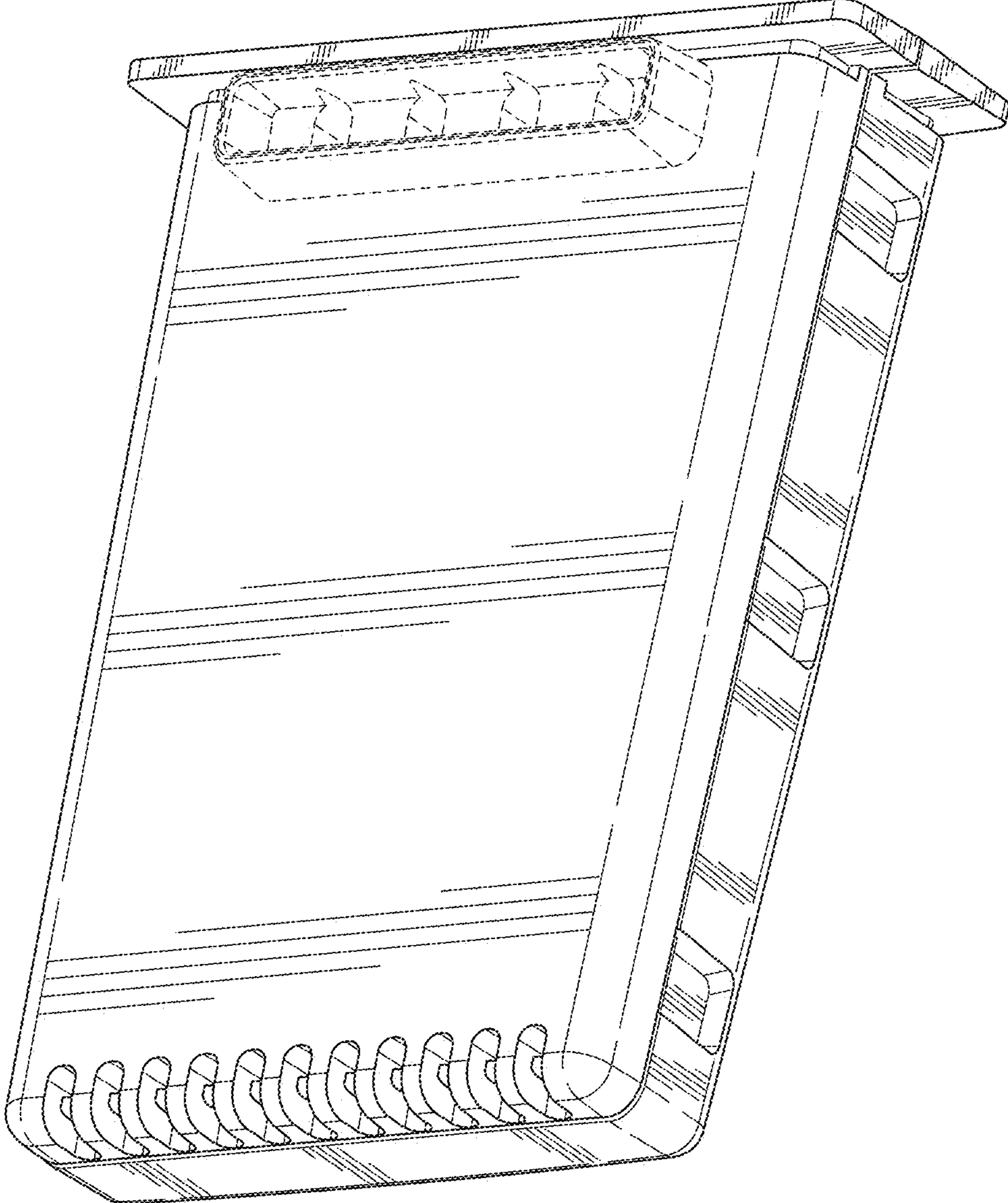


FIG. 5



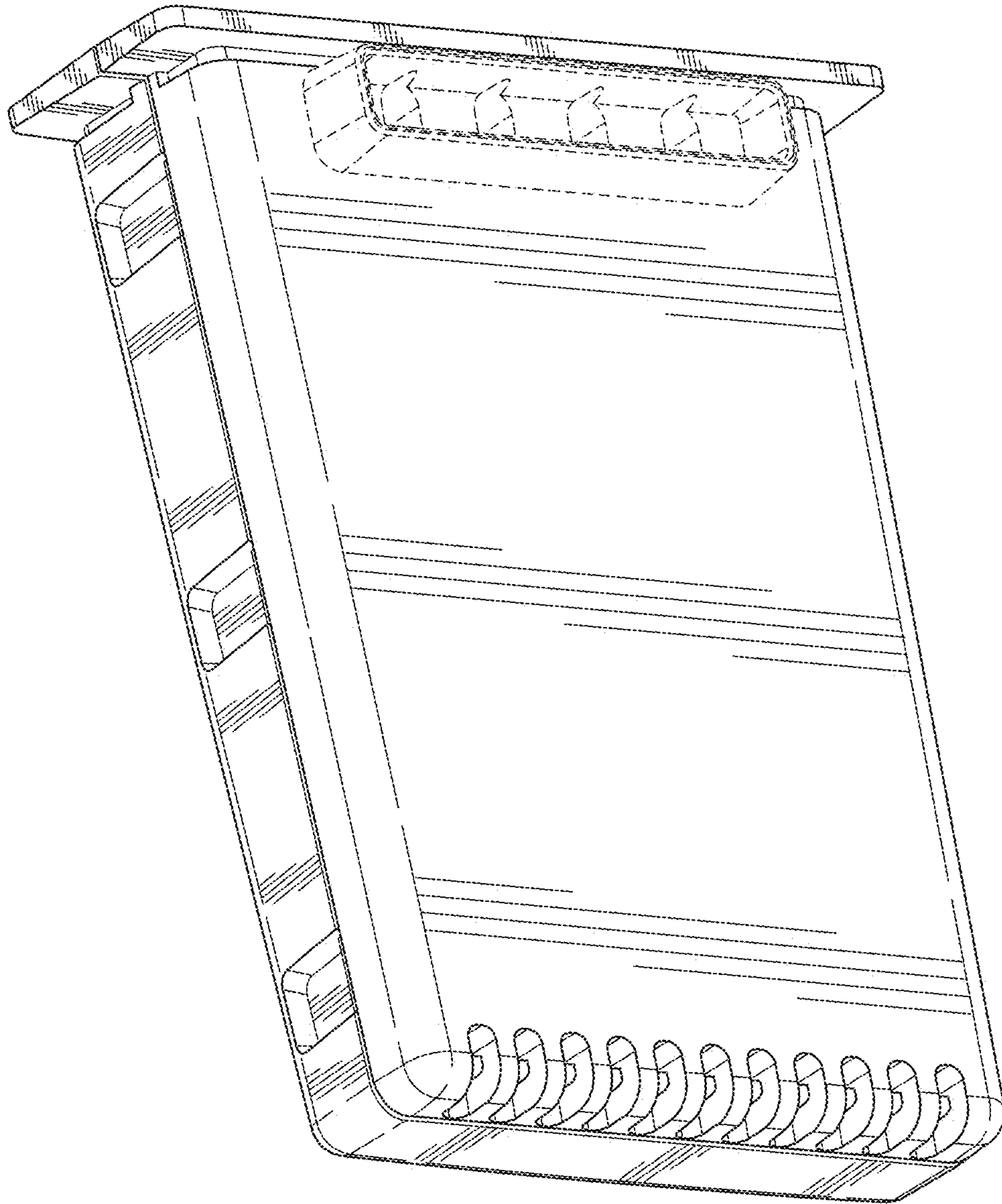


FIG. 6



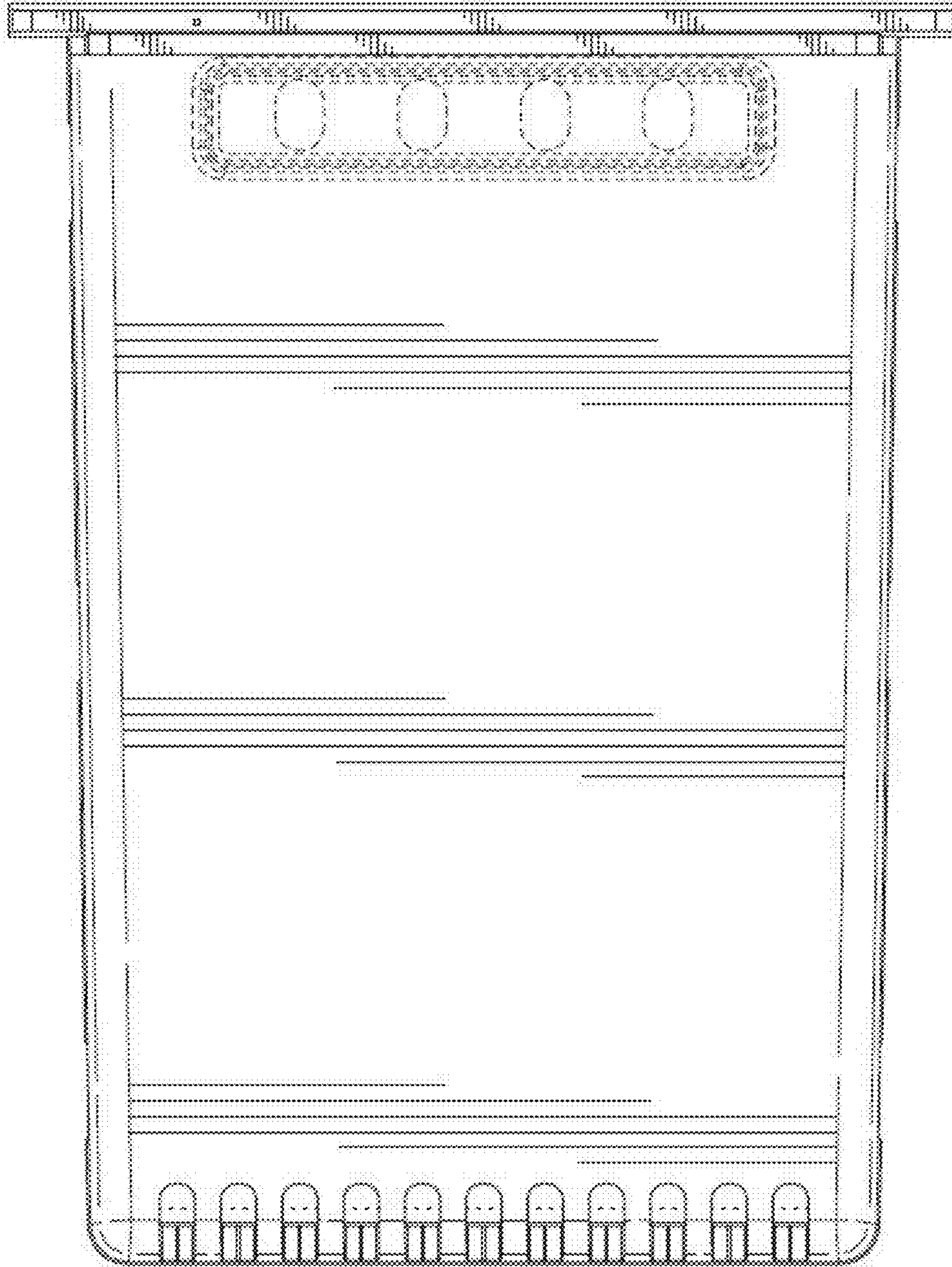


FIG. 7

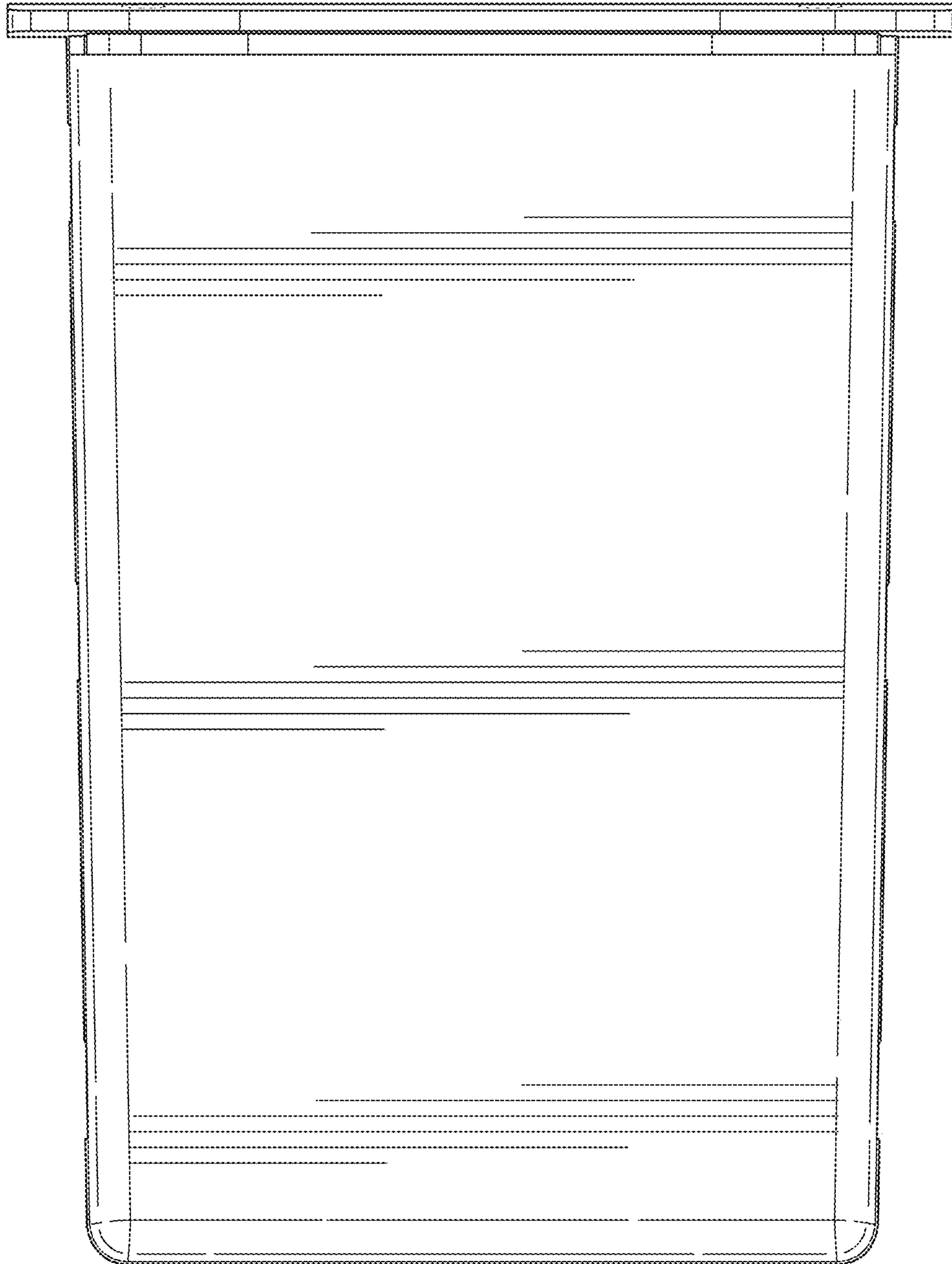


FIG. 8

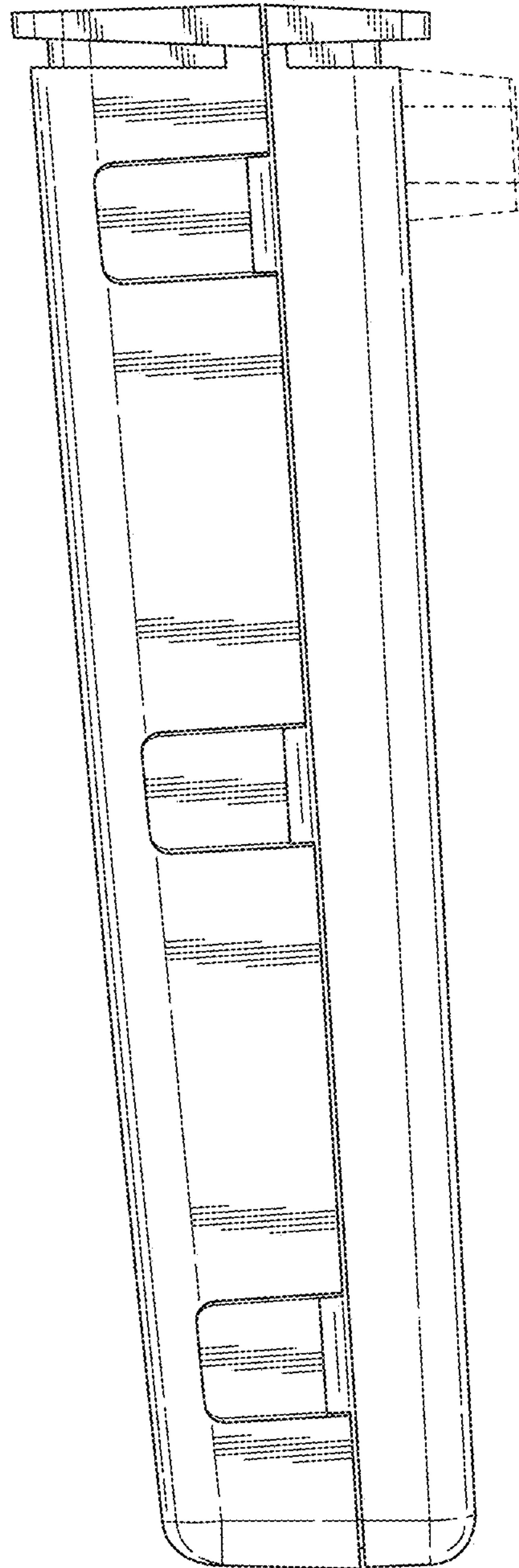


FIG. 9



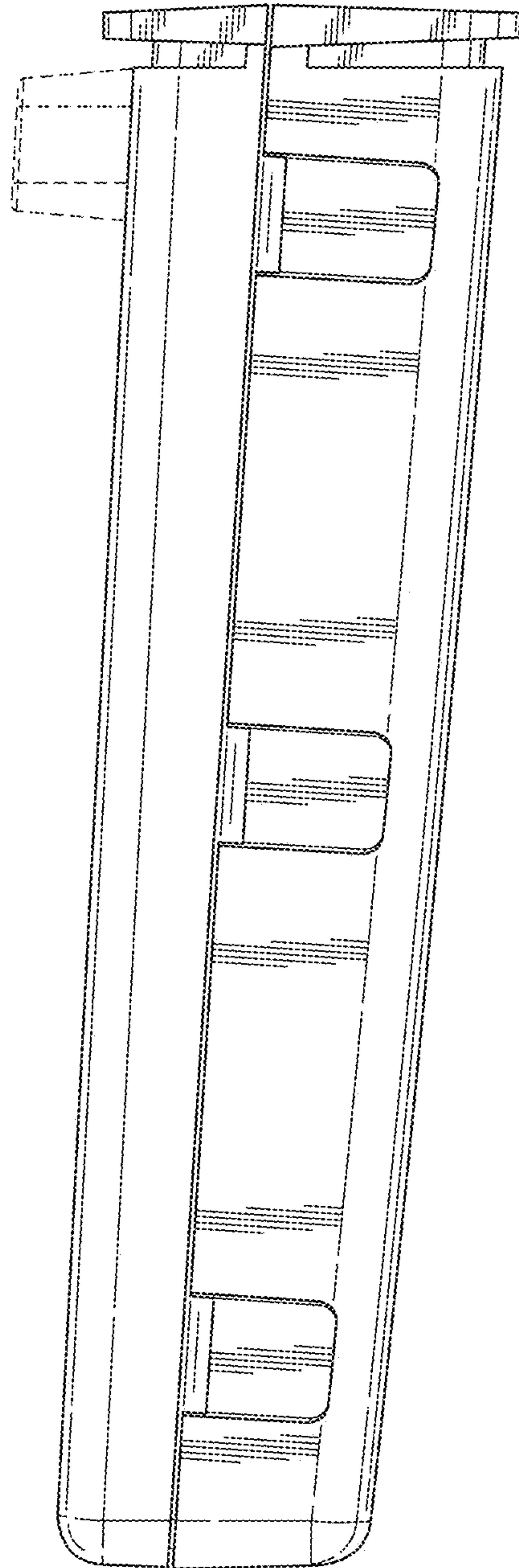


FIG. 10

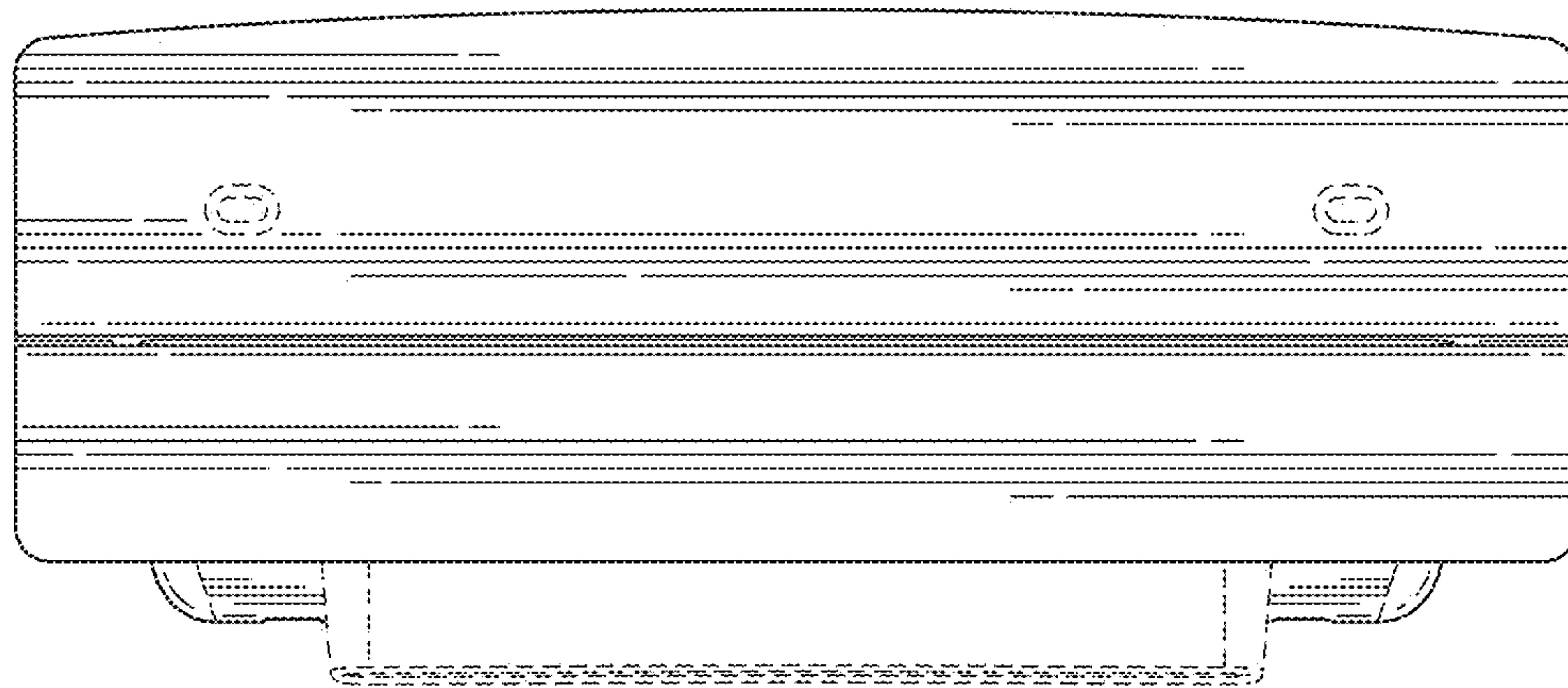


FIG. 11

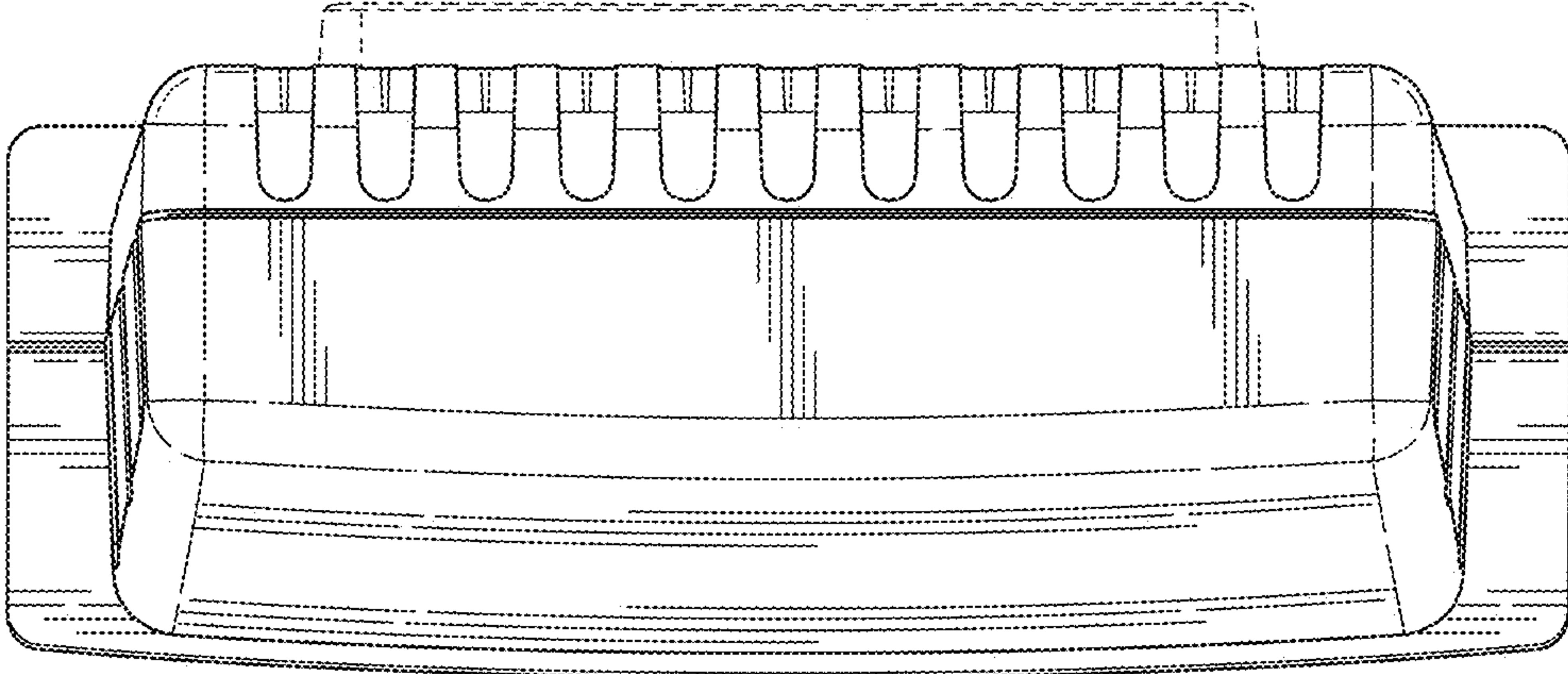


FIG. 12