



US00D977609S

(12) **United States Design Patent** (10) **Patent No.:** **US D977,609 S**  
**Park et al.** (45) **Date of Patent:** **\*\* Feb. 7, 2023**

(54) **WATER PURIFIER**  
(71) Applicant: **COWAY CO., LTD.**,  
Choongcheongnam-do (KR)  
(72) Inventors: **Jun Hyuk Park**, Gyeonggi-do (KR);  
**Na Ri Lee**, Seoul (KR); **Mi Kyung Kim**, Seoul (KR)  
(73) Assignee: **COWAY CO., LTD.**,  
Choongcheongnam-do (KR)

D827,353 S \* 9/2018 Hare ..... D7/313  
D838,540 S \* 1/2019 Gnadinger ..... D7/307  
D842,966 S \* 3/2019 Shin ..... D23/207  
D853,772 S \* 7/2019 Park ..... D7/307  
D888,485 S \* 6/2020 Kim ..... D23/209  
D891,845 S \* 8/2020 Rummel ..... D7/308  
D907,174 S \* 1/2021 Park ..... D23/207  
D926,285 S \* 7/2021 Park ..... D23/207  
D931,408 S \* 9/2021 Cho ..... D23/207  
D941,073 S \* 1/2022 Mycroft ..... D7/314

(Continued)

(\*\*) Term: **15 Years**

(21) Appl. No.: **29/798,979**

(22) Filed: **Jul. 12, 2021**

(30) **Foreign Application Priority Data**

Jan. 13, 2021 (KR) ..... 30-2021-0001847

(51) **LOC (14) Cl.** ..... **23-01**

(52) **U.S. Cl.**  
USPC ..... **D23/207**

(58) **Field of Classification Search**  
USPC ..... D23/207, 208, 209, 355, 362, 363, 364,  
D23/365, 366; D7/306, 307, 311, 312  
CPC ..... B01D 27/00; B01D 27/08; B01D 35/306;  
B01D 35/34; B01D 61/08; B01D 61/081;  
B01D 2201/29; B01D 2201/291; B01D  
2201/4015; B01D 2221/02; C02F 1/003;  
C02F 9/005; C02F 2307/10  
See application file for complete search history.

(56) **References Cited**

**U.S. PATENT DOCUMENTS**

D669,154 S \* 10/2012 Choi ..... D23/207  
D718,414 S \* 11/2014 Lo ..... D7/311  
D731,840 S \* 6/2015 Cha ..... D7/311  
D732,330 S \* 6/2015 Cha ..... D7/311  
D764,014 S \* 8/2016 Lin ..... D23/207  
D822,154 S \* 7/2018 Lee ..... D23/207

**OTHER PUBLICATIONS**

Avalon A12 Countertop Bottleless Water Dispenser, Aug. 5, 2020,  
Amazon, site visited Sep. 15, 2022: <https://www.amazon.com/dp/B08FC5ZPPD/> (Year: 2020).\*

(Continued)

*Primary Examiner* — Jack Reickel  
*Assistant Examiner* — Bobby W Jones, II  
(74) *Attorney, Agent, or Firm* — Millen, White, Zelano &  
Branigan, P.C.; William Nixon

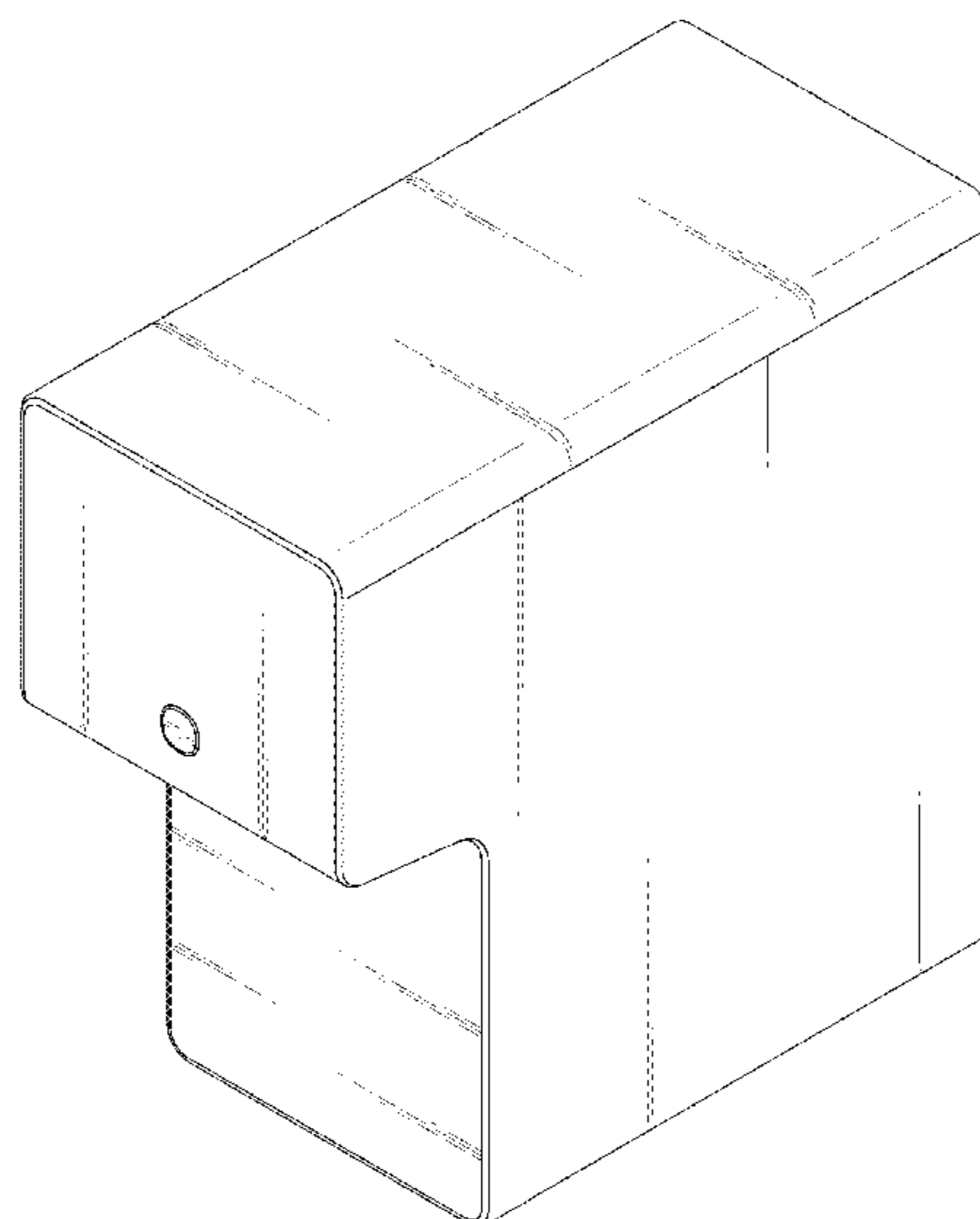
(57) **CLAIM**

The ornamental design for a water purifier, as shown and described.

**DESCRIPTION**

FIG. 1 is a front perspective view of a water purifier showing our new design;  
FIG. 2 is a front elevational view thereof;  
FIG. 3 is a rear elevational view thereof;  
FIG. 4 is a left side elevational view thereof;  
FIG. 5 is a right side elevational view thereof;  
FIG. 6 is a top plan view thereof; and,  
FIG. 7 is a bottom plan view thereof.  
The broken lines shown throughout the views depict unclaimed portions of the water purifier and form no part of the claimed design.

**1 Claim, 7 Drawing Sheets**



(56)

**References Cited**

U.S. PATENT DOCUMENTS

D947,587 S \* 4/2022 Peng ..... D7/311  
D948,904 S \* 4/2022 Park ..... D7/311  
D950,293 S \* 5/2022 Braukmann ..... D7/311  
D951,390 S \* 5/2022 Shin ..... D23/207  
2019/0389740 A1\* 12/2019 Choi ..... B01D 35/30  
2020/0031651 A1\* 1/2020 Schneidewend ..... A47J 31/461  
2021/0017009 A1\* 1/2021 Jung ..... C02F 1/00  
2022/0204361 A1\* 6/2022 Han ..... B67D 1/0895

OTHER PUBLICATIONS

Brio Top Loading Countertop Water Cooler, Aug. 29, 2019, Amazon, site visited Sep. 15, 2022: <https://www.amazon.com/dp/B07X5CCGYZ/> (Year: 2019).\*

Coway Aquamea 200C Countertop Water Purifier, Jun. 7, 2019, Amazon, site visited Sep. 15, 2022: <https://www.amazon.com/dp/B07QZRWYKW/> (Year: 2019).\*

Coway photo, Oct. 22, 2021, Facebook, site visited Sep. 15, 2022: <https://www.facebook.com/CowayUSA/photos/358307026082862> (Year: 2021).\*

\* cited by examiner

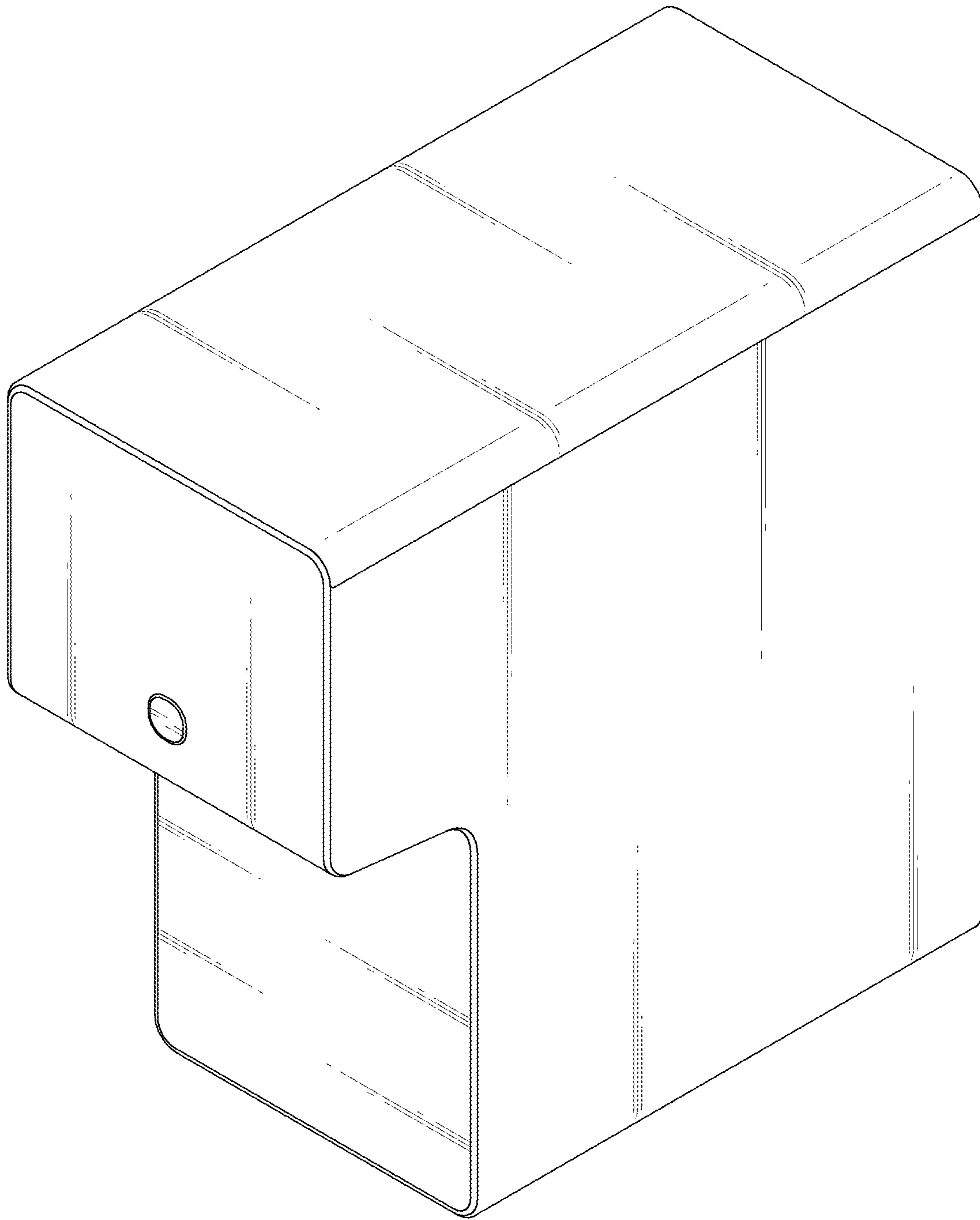


FIG. 1

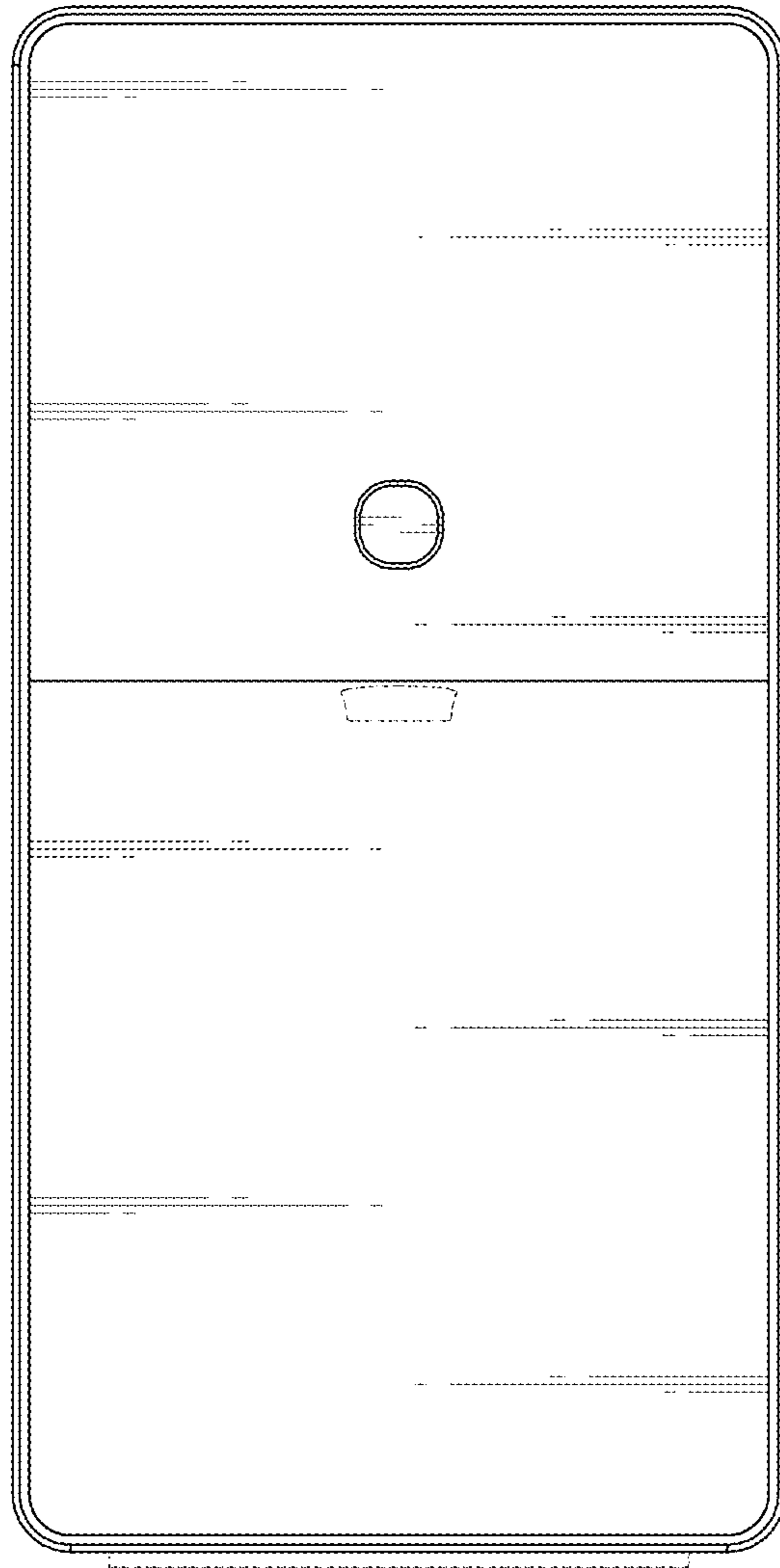


FIG. 2

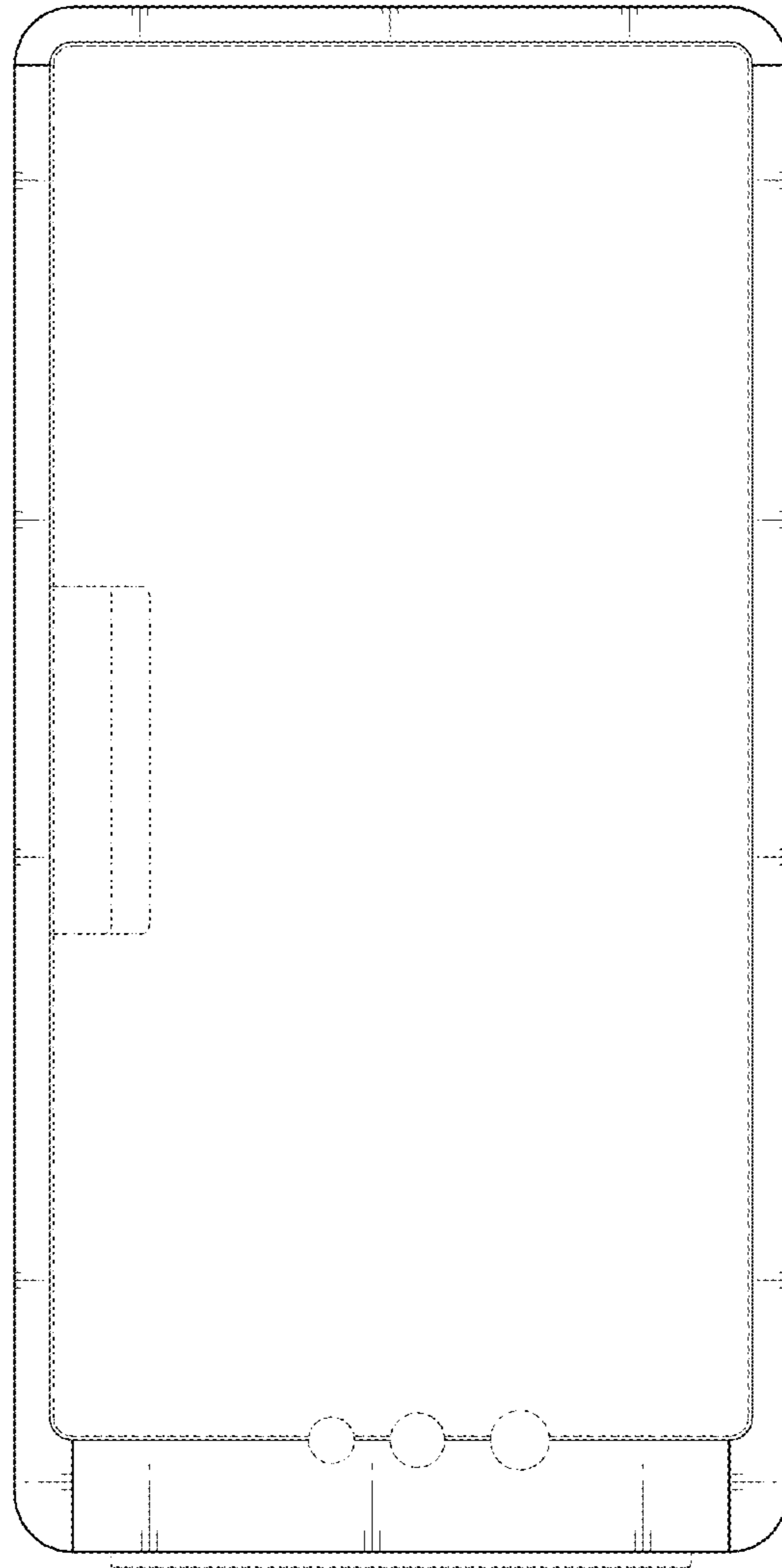


FIG. 3

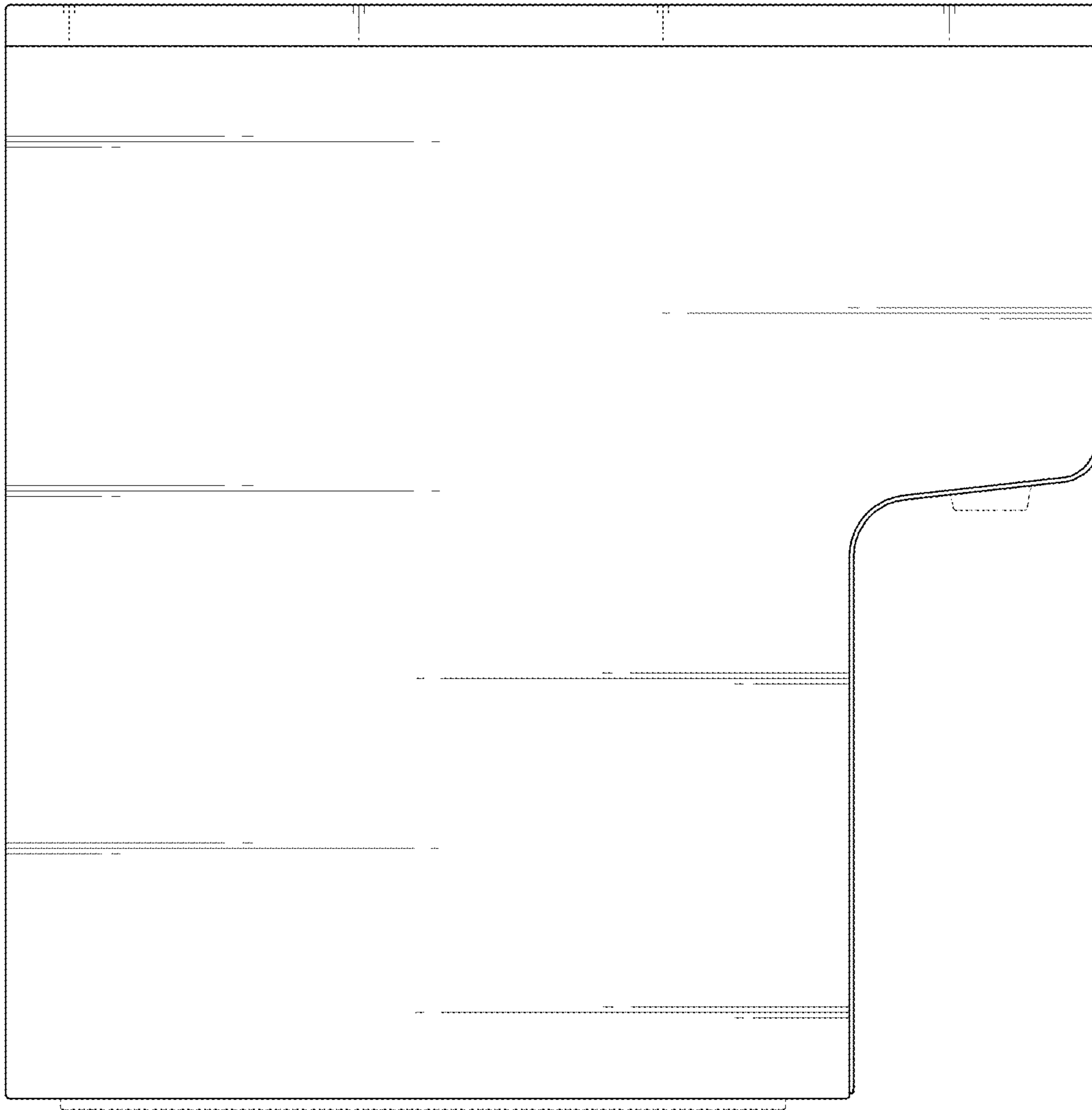


FIG. 4

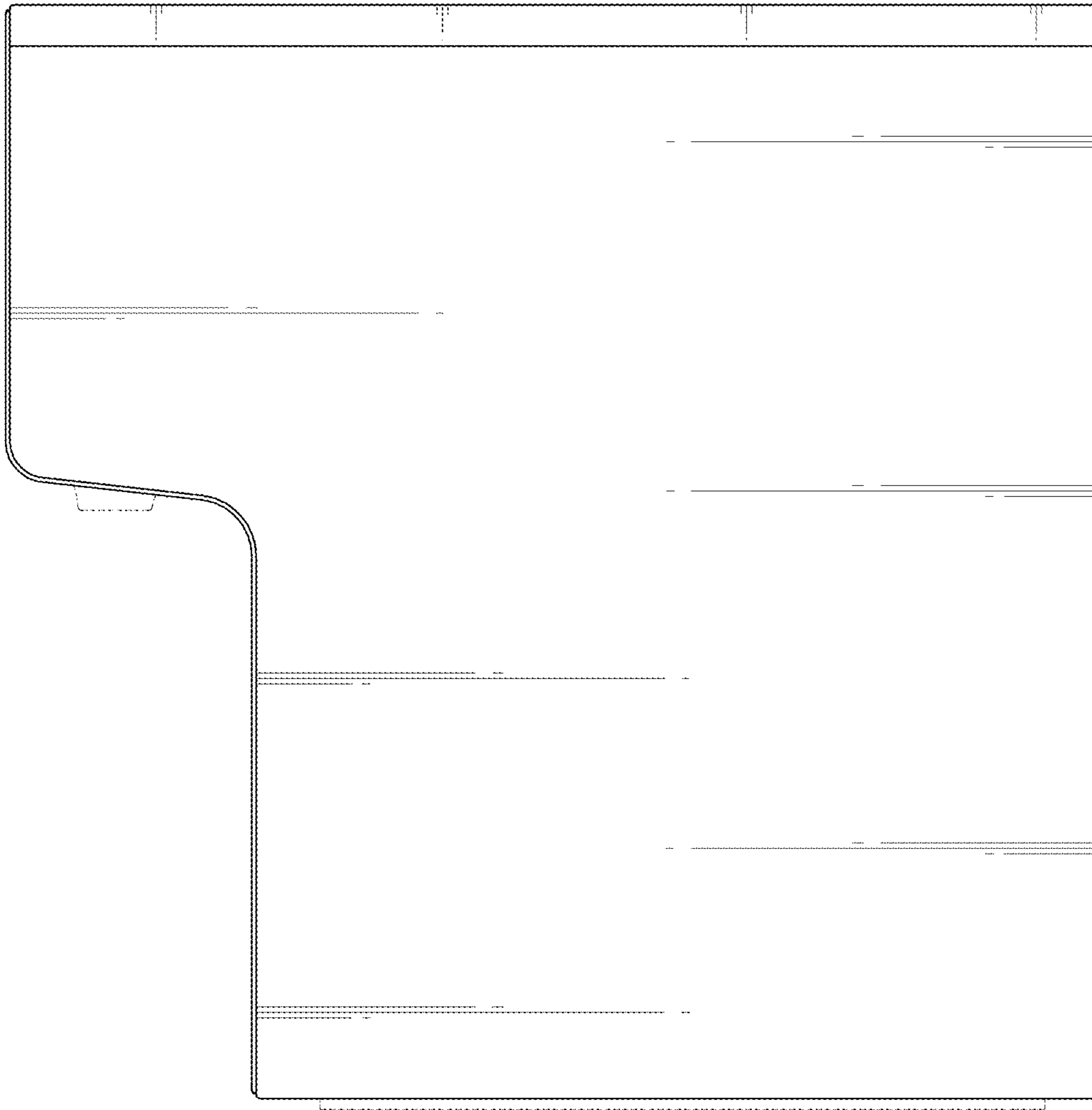


FIG. 5

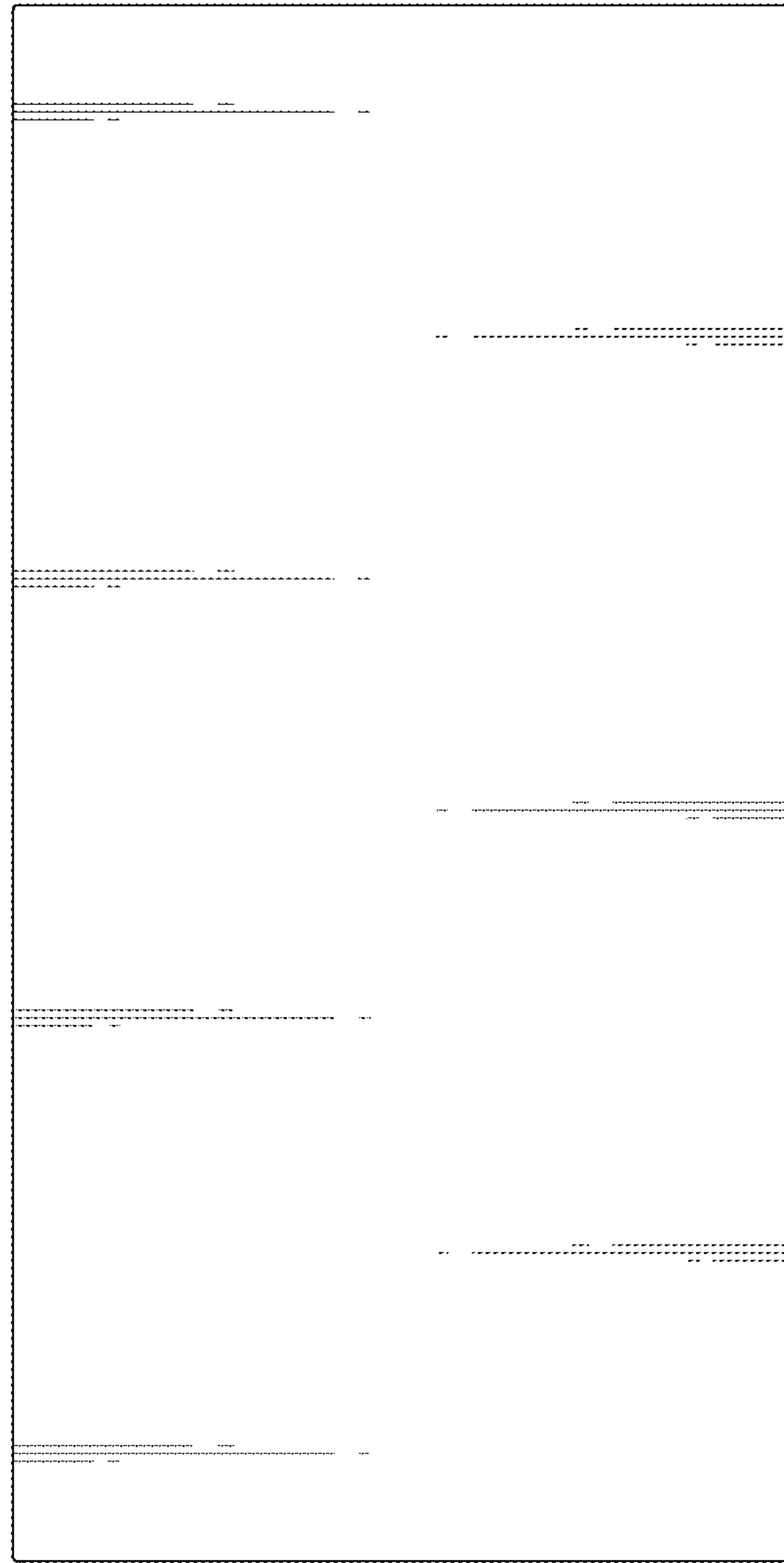


FIG. 6



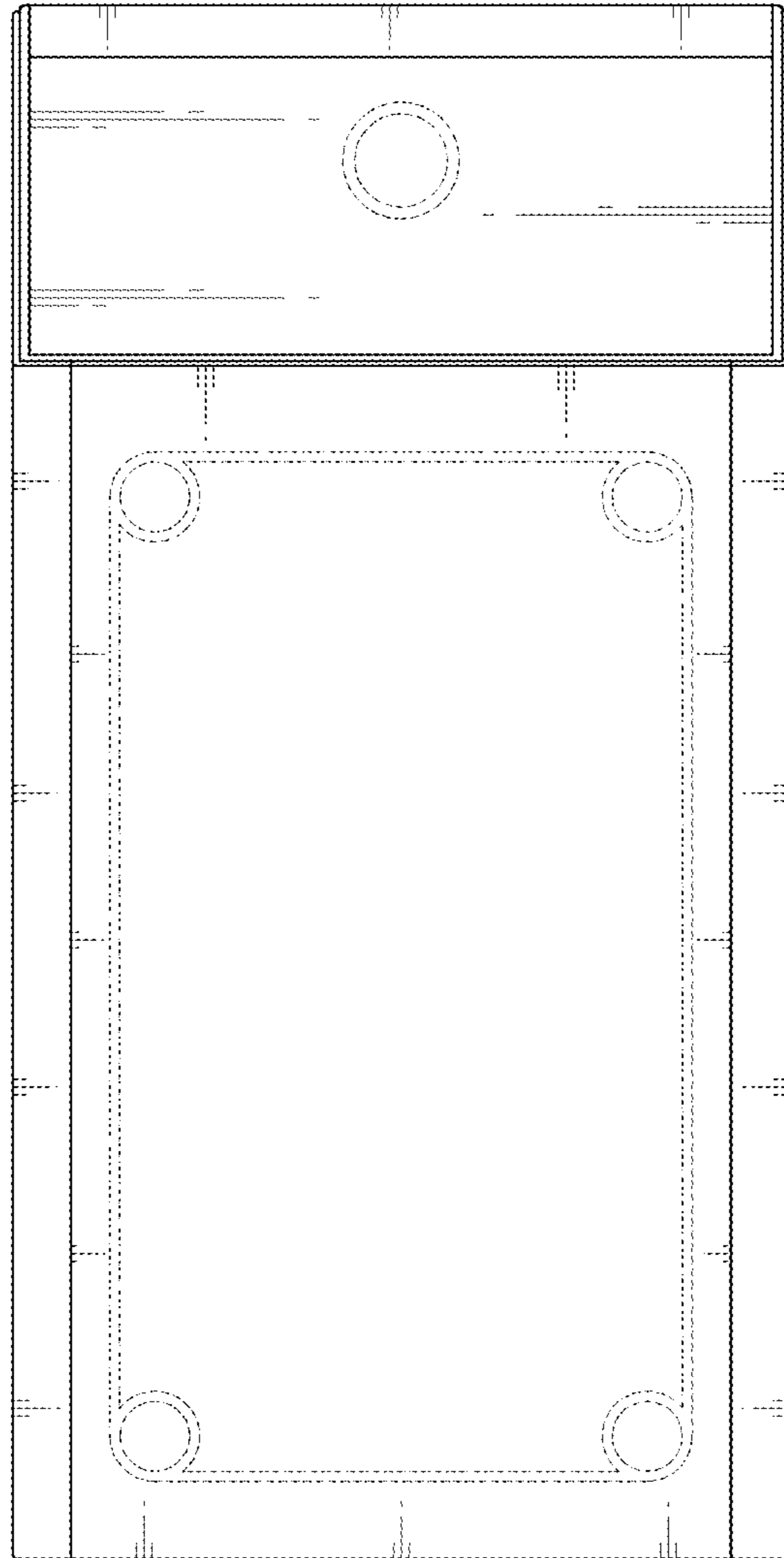


FIG. 7