



US00D977608S

(12) **United States Design Patent** (10) **Patent No.:** **US D977,608 S**
Xia (45) **Date of Patent:** **** Feb. 7, 2023**

- (54) **CRIMPER PLIERS**
- (71) Applicant: **Shenzhen Banmiao Technology Co., Ltd.**, Shenzhen (CN)
- (72) Inventor: **Hengxu Xia**, Shenzhen (CN)
- (*) Notice: Patent file contains an affidavit/declaration under 37 CFR 1.130(b).
- (**) Term: **15 Years**
- (21) Appl. No.: **29/839,762**
- (22) Filed: **May 24, 2022**
- (51) **LOC (14) Cl.** **22-05**
- (52) **U.S. Cl.**
USPC **D22/150; D8/52**
- (58) **Field of Classification Search**
USPC D8/4, 52, 55, 56, 58; D22/150
CPC H01R 43/042; B25B 7/22
See application file for complete search history.

- 4,829,858 A * 5/1989 Kern B25G 1/102
81/415
- D327,826 S * 7/1992 Neff H02G 1/1214
D8/52
- D421,376 S * 3/2000 Neff B25G 1/102
D8/58
- D722,851 S * 2/2015 Constantine D8/52
- D828,738 S * 9/2018 Constantine B25B 7/18
D8/52
- D906,075 S 12/2020 Liao

- (56) **References Cited**
- U.S. PATENT DOCUMENTS
- D134,523 S * 12/1942 Merker D8/58
 - D177,537 S * 4/1956 Schinske D8/58
 - D188,392 S * 7/1960 Crimmins D8/58
 - D213,848 S * 4/1969 Hindenburg D8/58
 - D215,810 S * 11/1969 Hindenburg D8/58
 - D218,141 S * 7/1970 Neff D8/58
 - 3,525,107 A * 8/1970 Hays H01R 43/042
72/409.13
 - 3,947,905 A * 4/1976 Neff H02G 1/1214
7/107
 - D245,752 S * 9/1977 Wiener D8/58
 - 4,104,752 A * 8/1978 Amrein B25B 7/22
7/107
 - 4,158,302 A * 6/1979 O'Loughlin B25B 7/18
29/221
 - D257,877 S * 1/1981 Patterson H01R 43/042
D8/55
 - D263,552 S * 3/1982 Boyajian D8/52

OTHER PUBLICATIONS

Booms Fishing CP4 Wire Crimping Tool with Cutter, Effort-Saving Fishing Crimping Pliers, High Carbon Steel Fishing Plier Wire Rope Leader Crimper Tool, 7 inch Crimpers Swager with . . . ; Booms Fishing Store; Amazon.com; Jan. 30, 2022; accessed Oct. 11, 2022; URL:<<https://www.amazon.com/dp/B09RHYDPVC?th=1>> (Year: 2022).*

* cited by examiner

Primary Examiner — Rachel A. Voorhies
Assistant Examiner — Benjamin D. Wannemacher

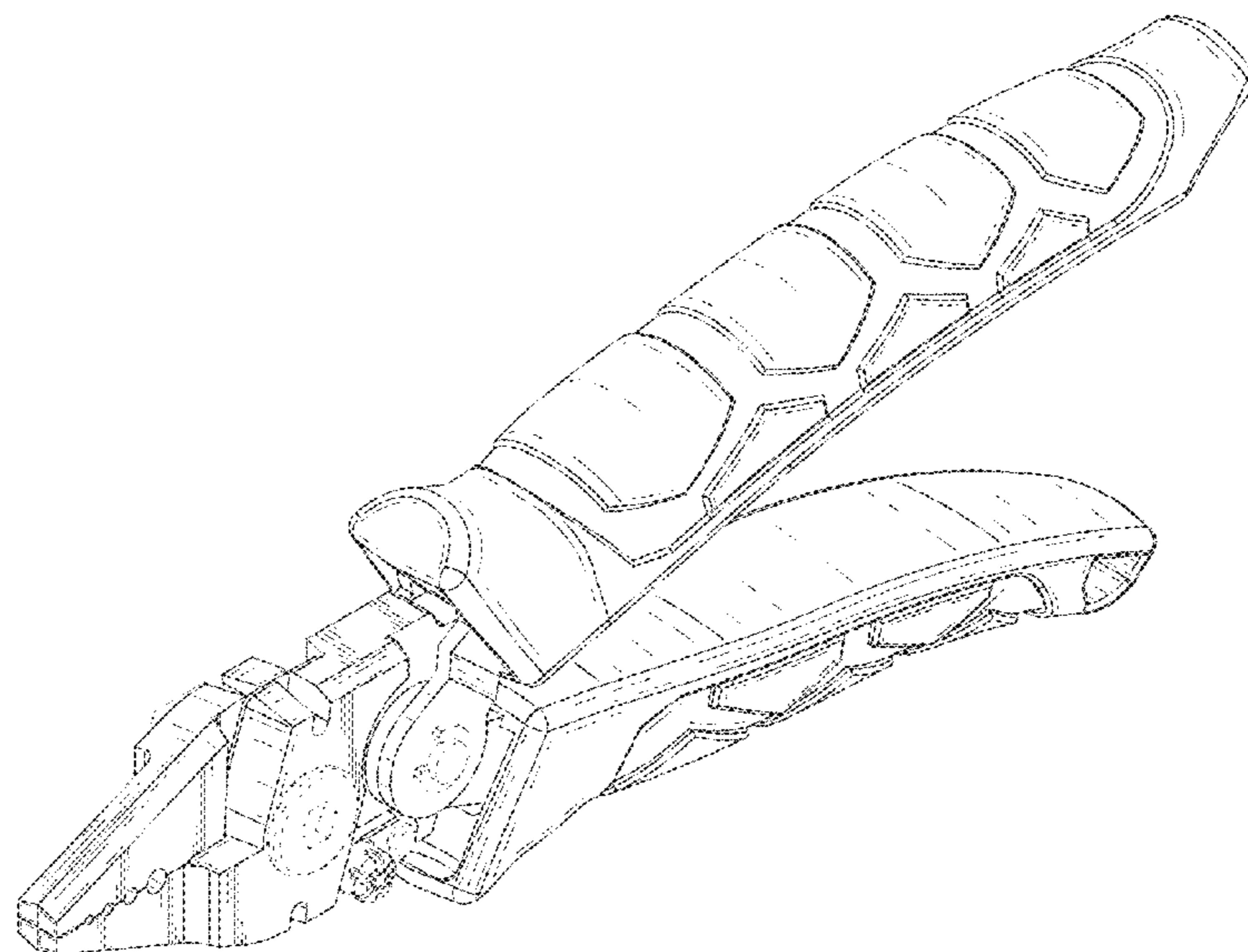
(57) **CLAIM**

The ornamental design for crimper pliers, as shown and described.

DESCRIPTION

FIG. 1 is a front perspective view of crimper pliers, showing my new design;
FIG. 2 is a top view thereof;
FIG. 3 is a bottom view thereof;
FIG. 4 is a front view thereof;
FIG. 5 is a rear view thereof;
FIG. 6 is a right side view thereof; and,
FIG. 7 is a left side view thereof.
The broken lines in the drawings illustrate the portions of the crimper pliers, which form no part of the claimed design.

1 Claim, 7 Drawing Sheets



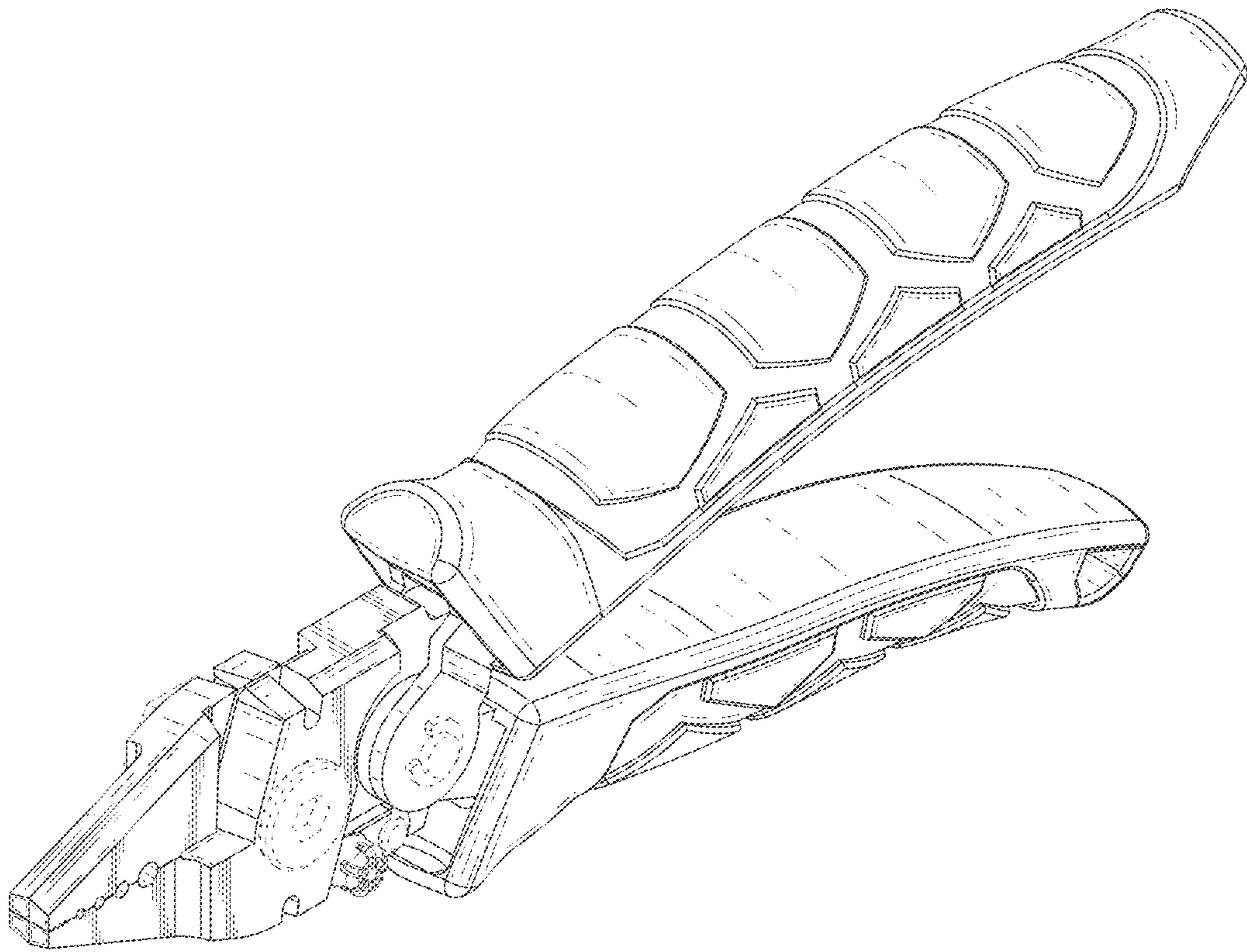


FIG. 1

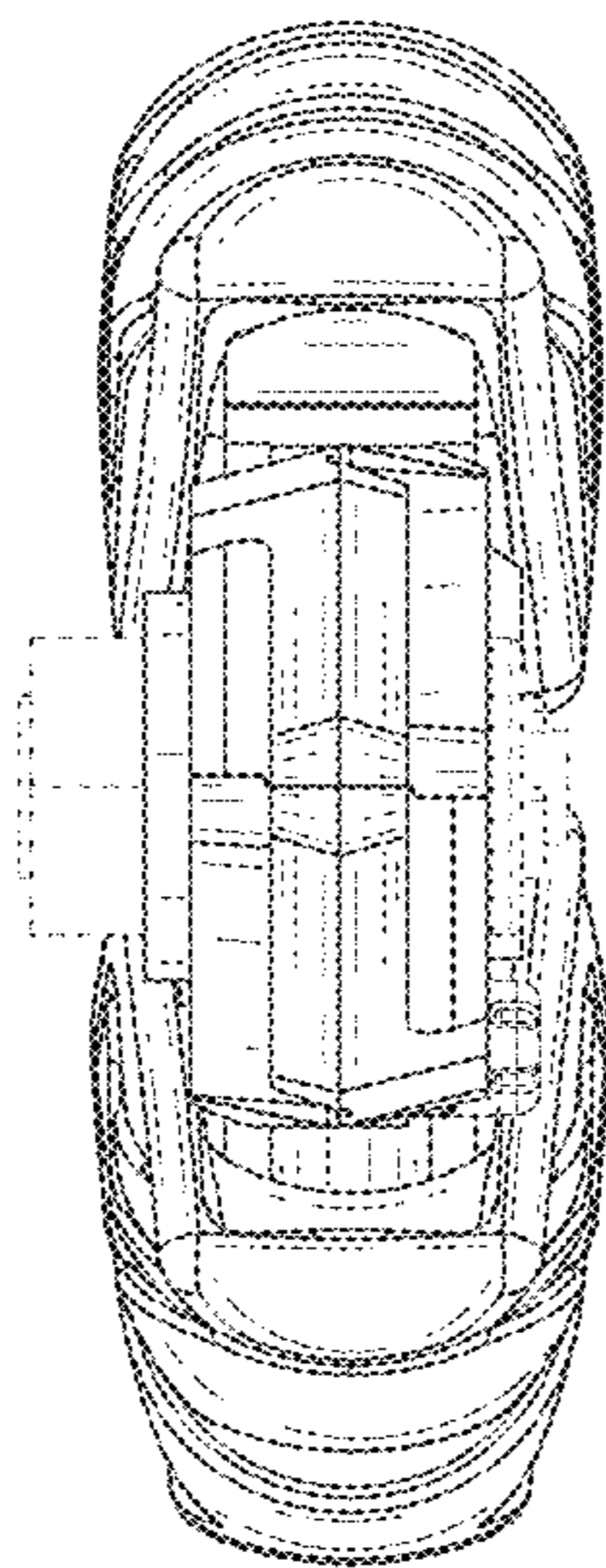


FIG. 2

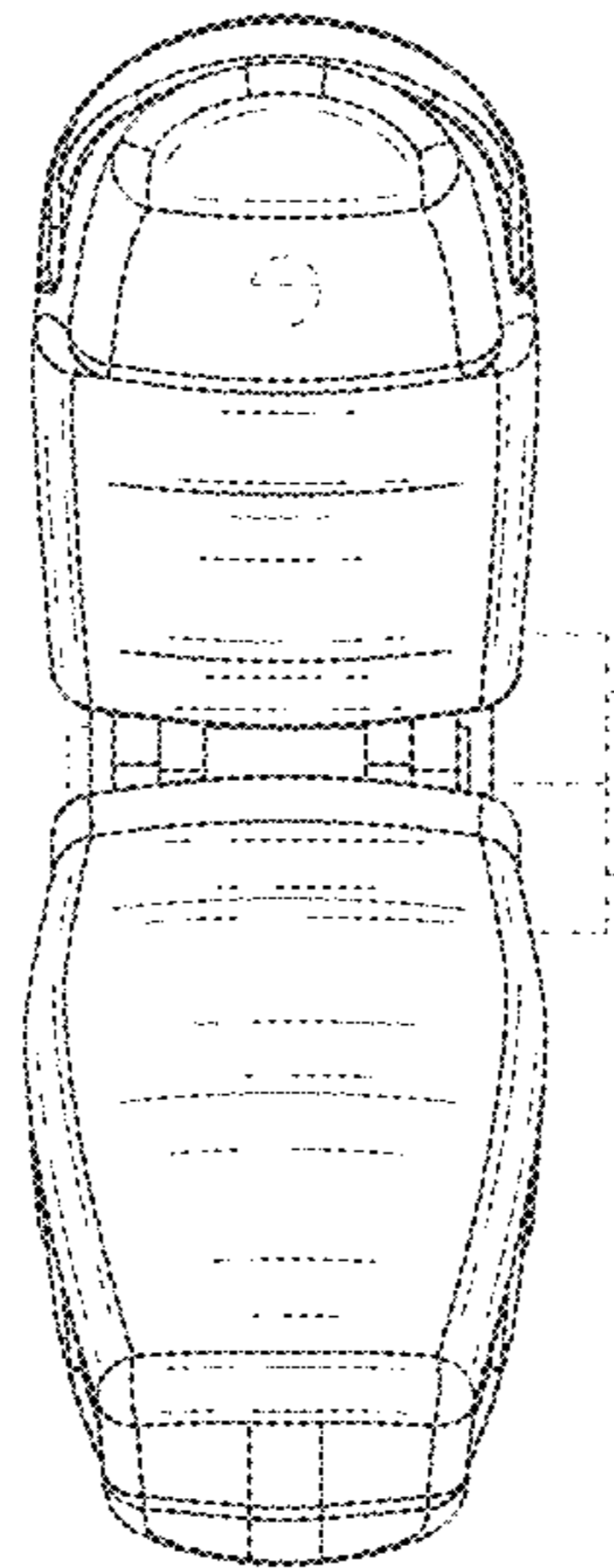


FIG. 3

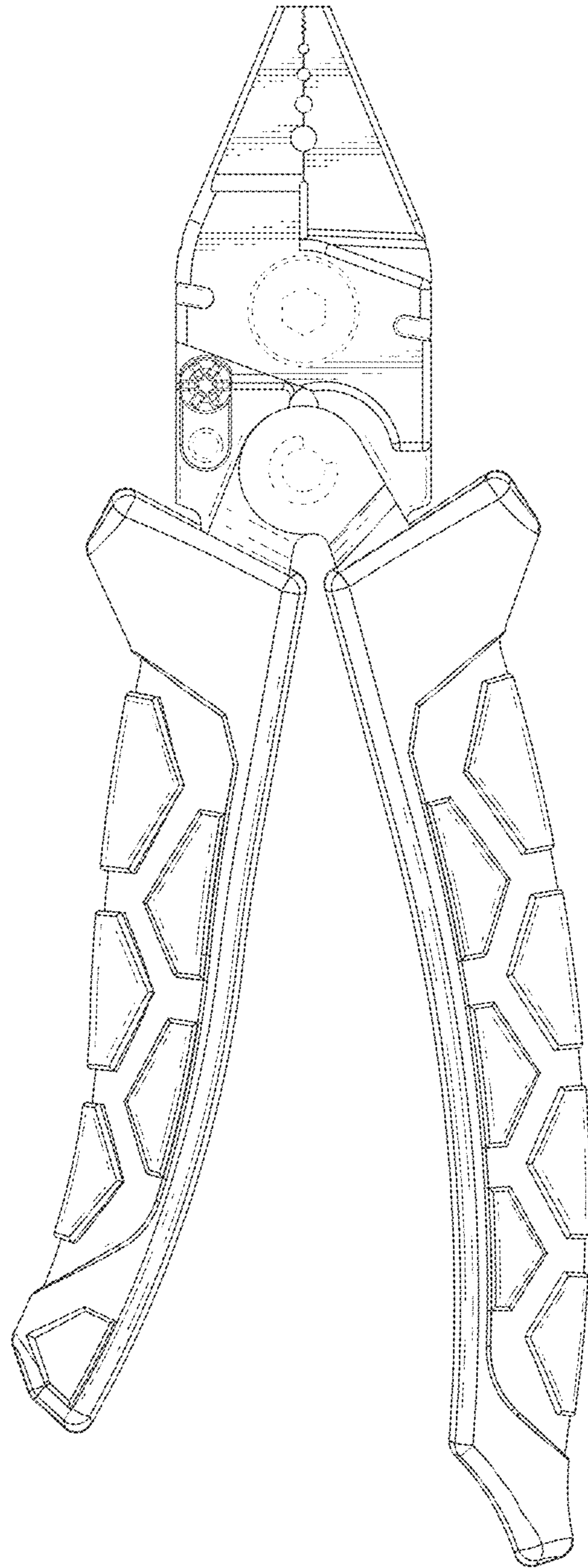


FIG. 4

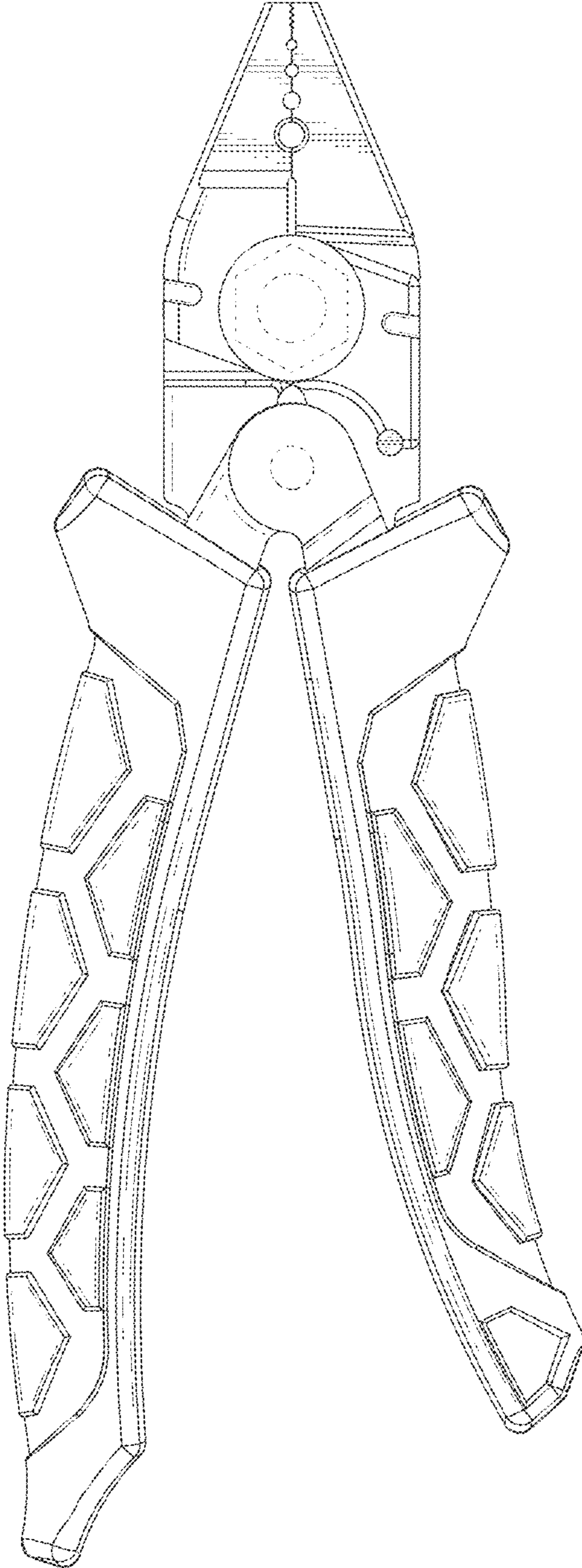


FIG. 5

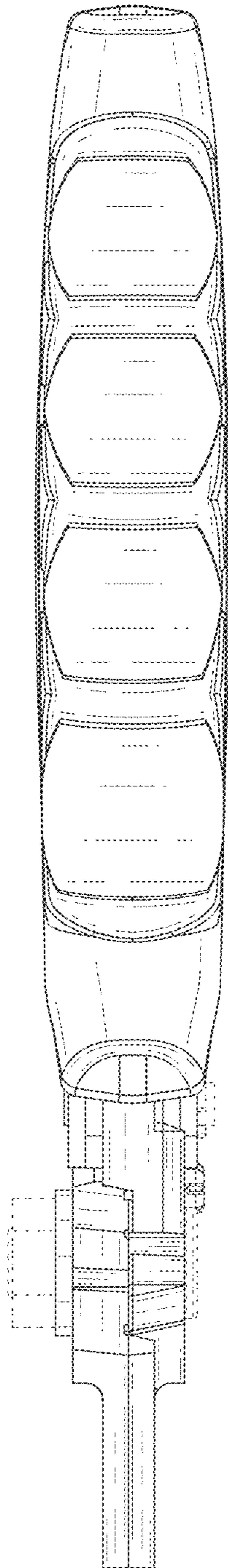


FIG. 6

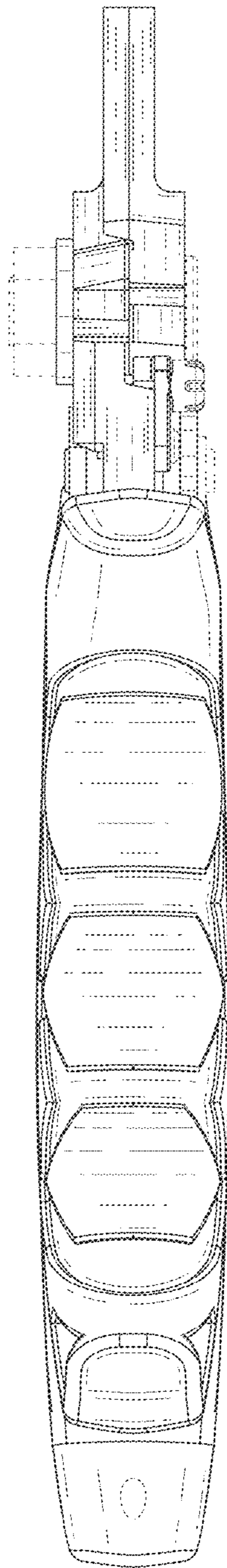


FIG. 7