



US00D977607S

(12) **United States Design Patent**
Langan

(10) **Patent No.:** **US D977,607 S**

(45) **Date of Patent:** **** Feb. 7, 2023**

(54) **MULTI-LINK ADAPTER**

(71) Applicant: **Timothy Langan**, Mission Viejo, CA (US)

(72) Inventor: **Timothy Langan**, Mission Viejo, CA (US)

(**) Term: **15 Years**

(21) Appl. No.: **29/754,181**

(22) Filed: **Oct. 7, 2020**

(51) **LOC (14) Cl.** **22-01**

(52) **U.S. Cl.**
USPC **D22/108**

(58) **Field of Classification Search**
USPC D22/108, 117; D8/345, 59, 107;
D15/136; D13/120, 139.1, 158
CPC F41G 1/35; F41G 3/2655; F41G 11/003;
F41G 1/14; F41G 1/38; F41G 1/16; F41G
1/02; F41G 1/06; F41A 19/11; F41A
17/54; F41A 17/02; F41A 23/005; F41A
17/066; F41C 23/16; F41C 23/02
See application file for complete search history.

(56) **References Cited**

U.S. PATENT DOCUMENTS

3,022,596	A *	2/1962	Cannon	F41A 17/54 42/70.07
3,616,559	A *	11/1971	Sobolewski	F41A 17/02 42/70.07
D375,342	S *	11/1996	Collins	D22/199
6,055,759	A *	5/2000	Langner	F41A 17/02 42/70.07
6,474,238	B1 *	11/2002	Weinraub	F41A 17/54 42/70.07
D485,595	S *	1/2004	Schaub	D22/108
D753,783	S *	4/2016	Pittman	D22/108

(Continued)

OTHER PUBLICATIONS

Square Drive Hydraulic Torque Wrenches—T TWSD25, posted unknown[online], [retrieved Oct. 28, 2022]. Retrieved from internet, https://www.lonestartool.com/square-drive-hydraulic-torque-wrenches-t-twsd25.html?utm_source=Adwords&utm_medium=cpc (Date:2022) (Year: 2022).*

(Continued)

Primary Examiner — Christian P. McLean

Assistant Examiner — Kristopher Michael Blechschmidt

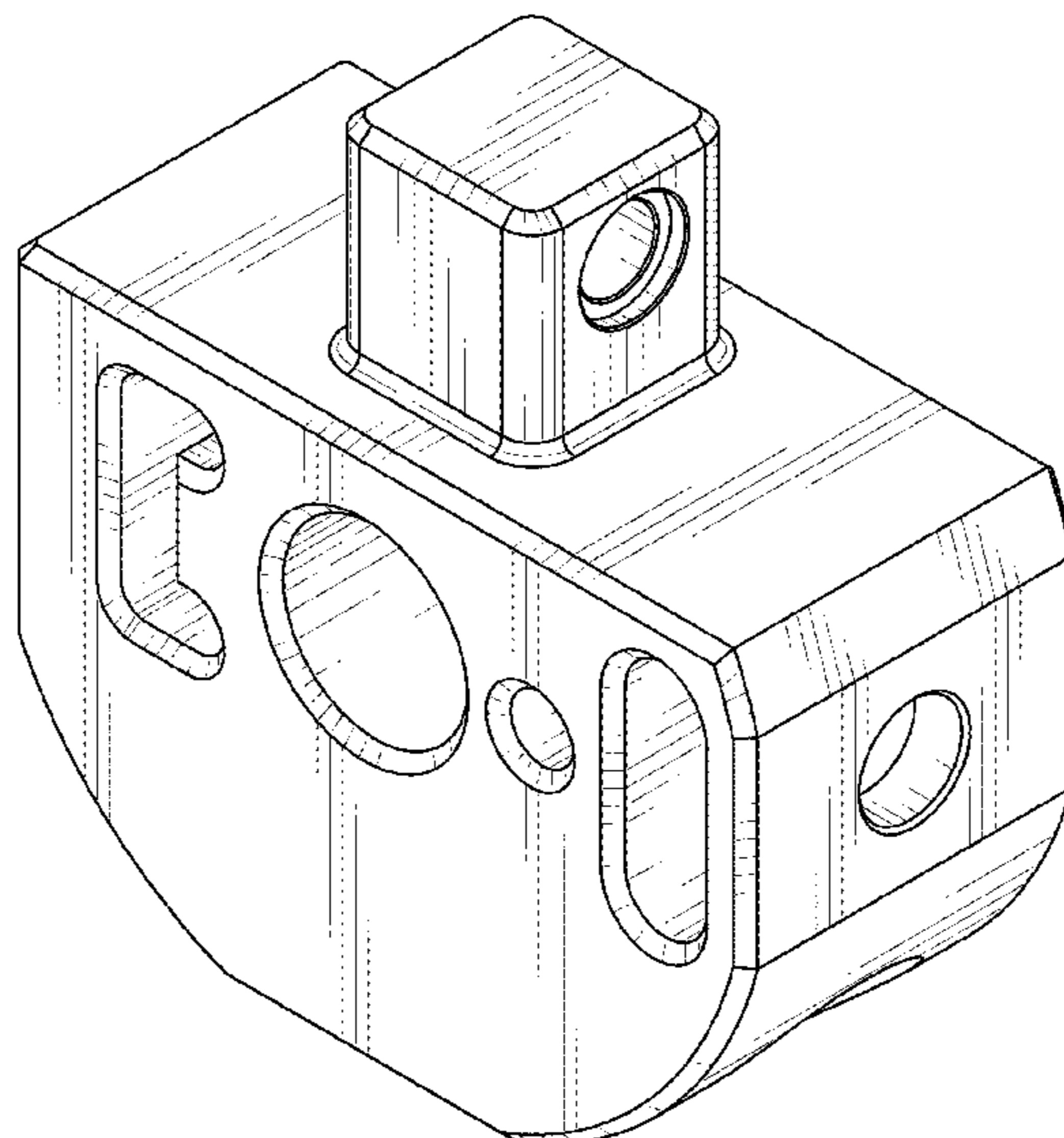
(57) **CLAIM**

The ornamental design for a multi-link adapter, as shown and described.

DESCRIPTION

FIG. 1 is a top-front-left perspective view of a multi-link adapter showing my new design;
FIG. 2 is a bottom-front-right perspective view thereof;
FIG. 3 is a top-rear-left perspective view thereof;
FIG. 4 is a bottom-rear-right perspective view thereof;
FIG. 5 is a front elevated view thereof;
FIG. 6 is a rear elevated view thereof;
FIG. 7 is a top plan view thereof;
FIG. 8 is a bottom plan view thereof;
FIG. 9 is a right elevated view thereof;
FIG. 10 is a left elevated view thereof;
FIG. 11 is a cross-sectional view thereof taken along line 11-11 in FIG. 10;
FIG. 12 is a cross-sectional view thereof taken along line 12-12 of FIG. 10;
FIG. 13 is a reduced top front perspective view thereof, showing the multi-link adapter with multiple attachments; and,
FIG. 14 is a reduced bottom rear perspective view thereof, showing the multi-link adapter with multiple attachments. The broken lines showing of attachments in FIG. 13-14 are included for the purpose of showing environmental structure and form no part of the claimed design.

1 Claim, 14 Drawing Sheets



(56)

References Cited

U.S. PATENT DOCUMENTS

9,528,795 B1 * 12/2016 Burnsed, Jr. F41C 33/002
D921,816 S * 6/2021 Lee D22/108
2006/0117633 A1 * 6/2006 Chang F41A 17/02
42/70.07
2013/0061502 A1 * 3/2013 Derman F41A 17/54
42/70.07
2015/0198402 A1 * 7/2015 Brace F41A 17/54
42/70.06
2021/0325135 A1 * 10/2021 Eckelkamp F41A 17/54

OTHER PUBLICATIONS

321 locks gun trigger, posted Dec. 3, 2015 [online], [retrieved Oct. 28, 2022]. Retrieved from internet, https://www.amazon.com/321-Locks-Trigger-Protect-Shotgun/dp/B01M9JWQW3/ref=sr_1 (Date:2022) (Year: 2015).*

* cited by examiner

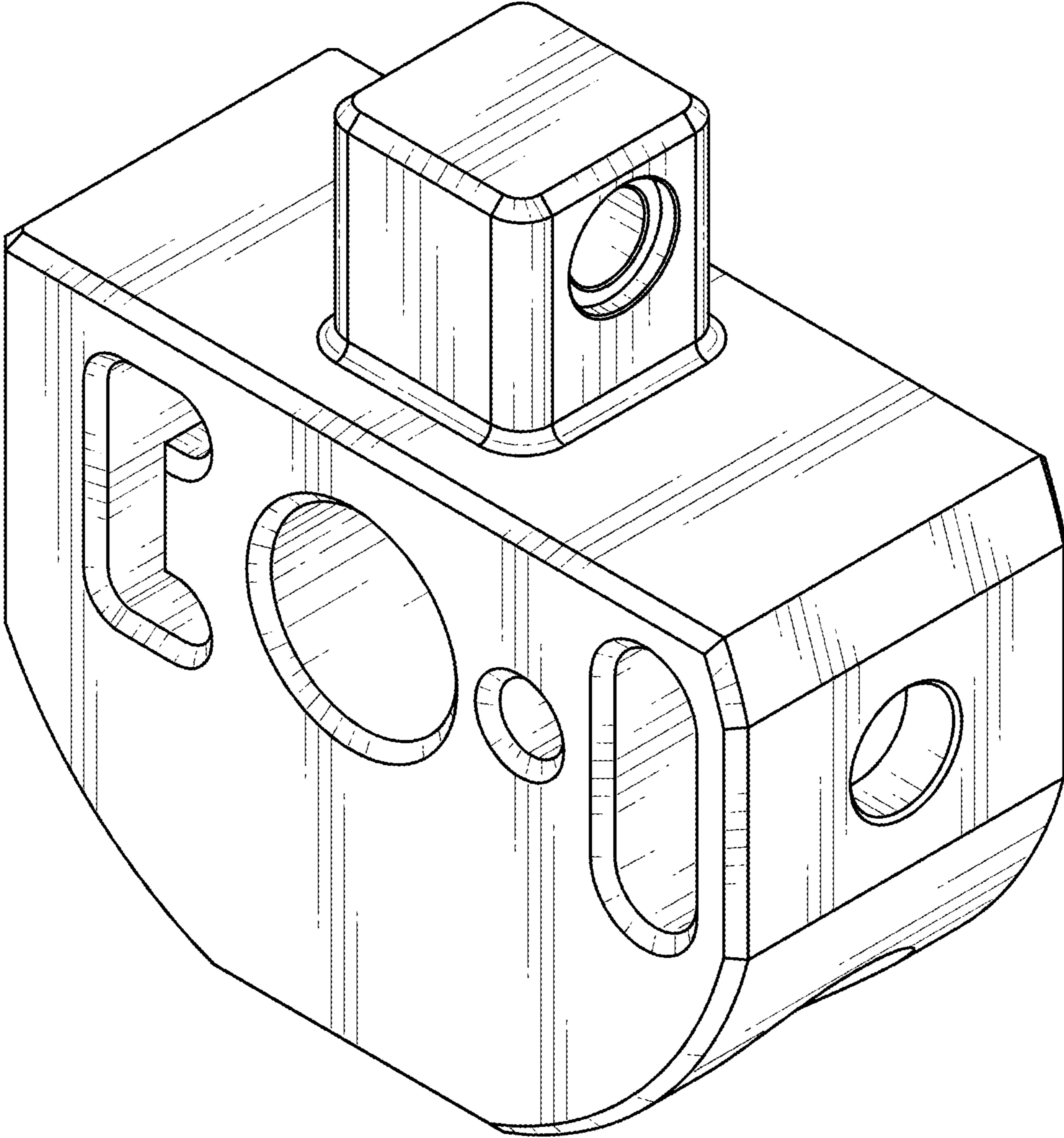


FIG. 1

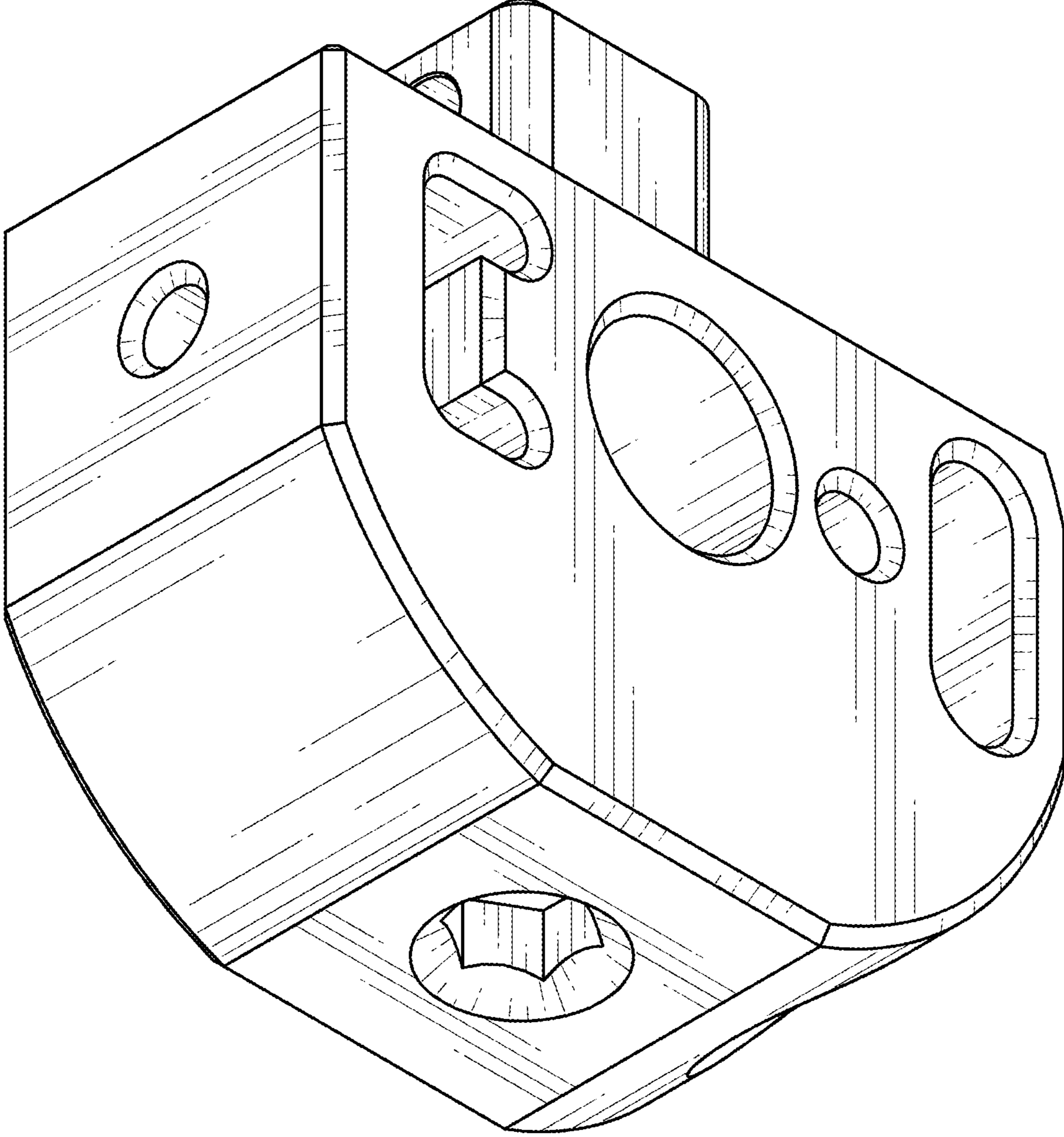


FIG. 2

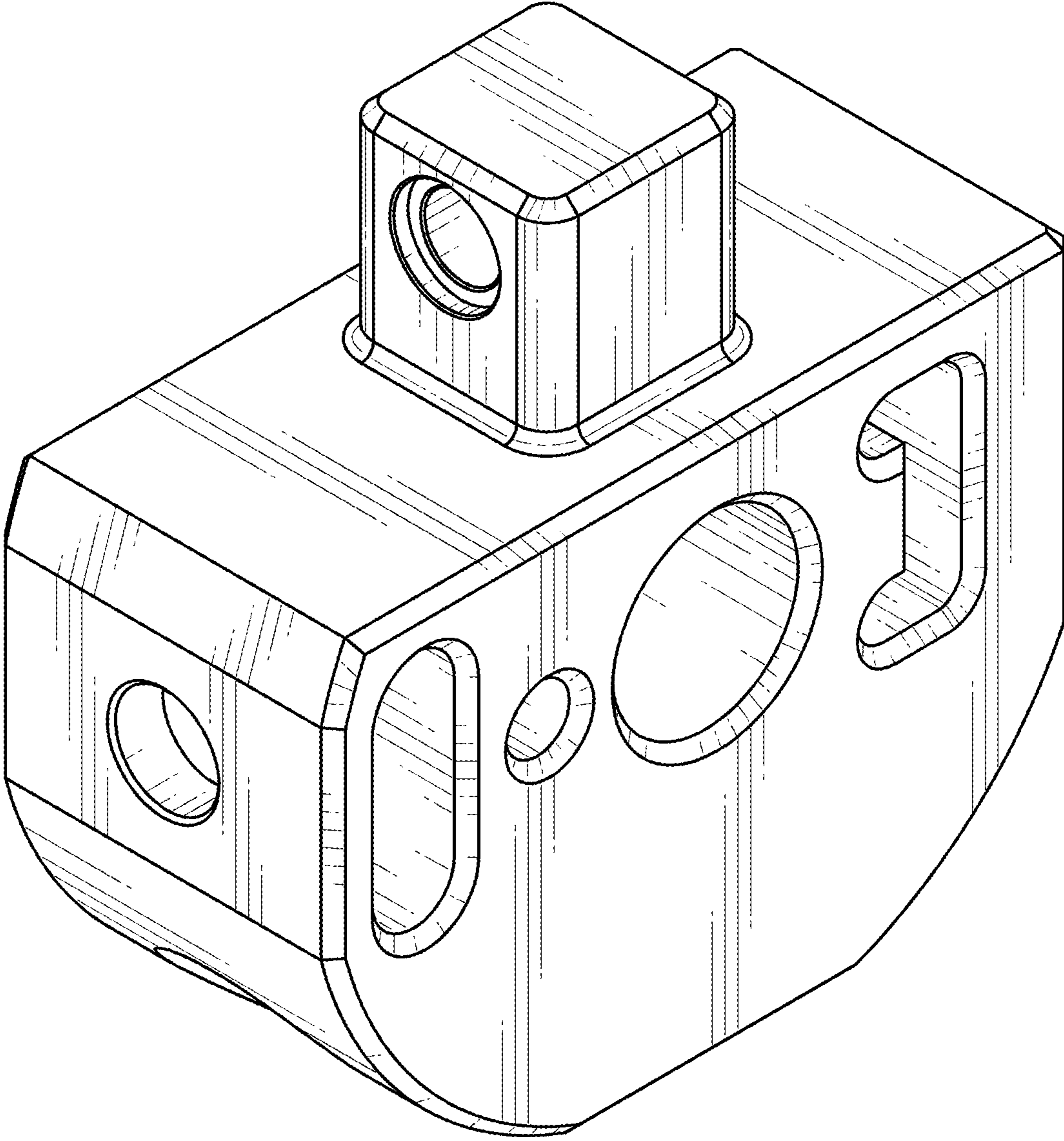


FIG. 3

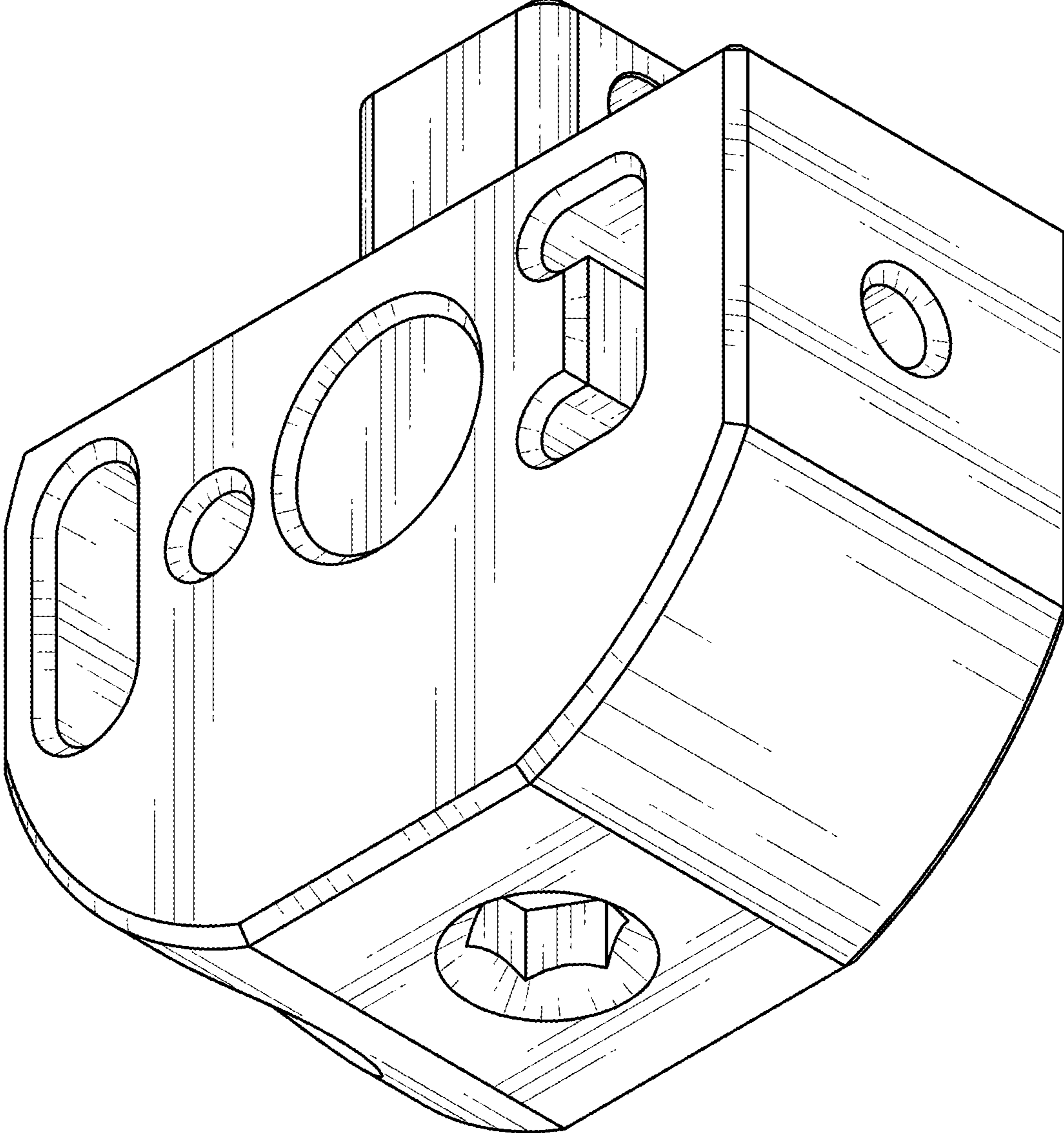


FIG. 4

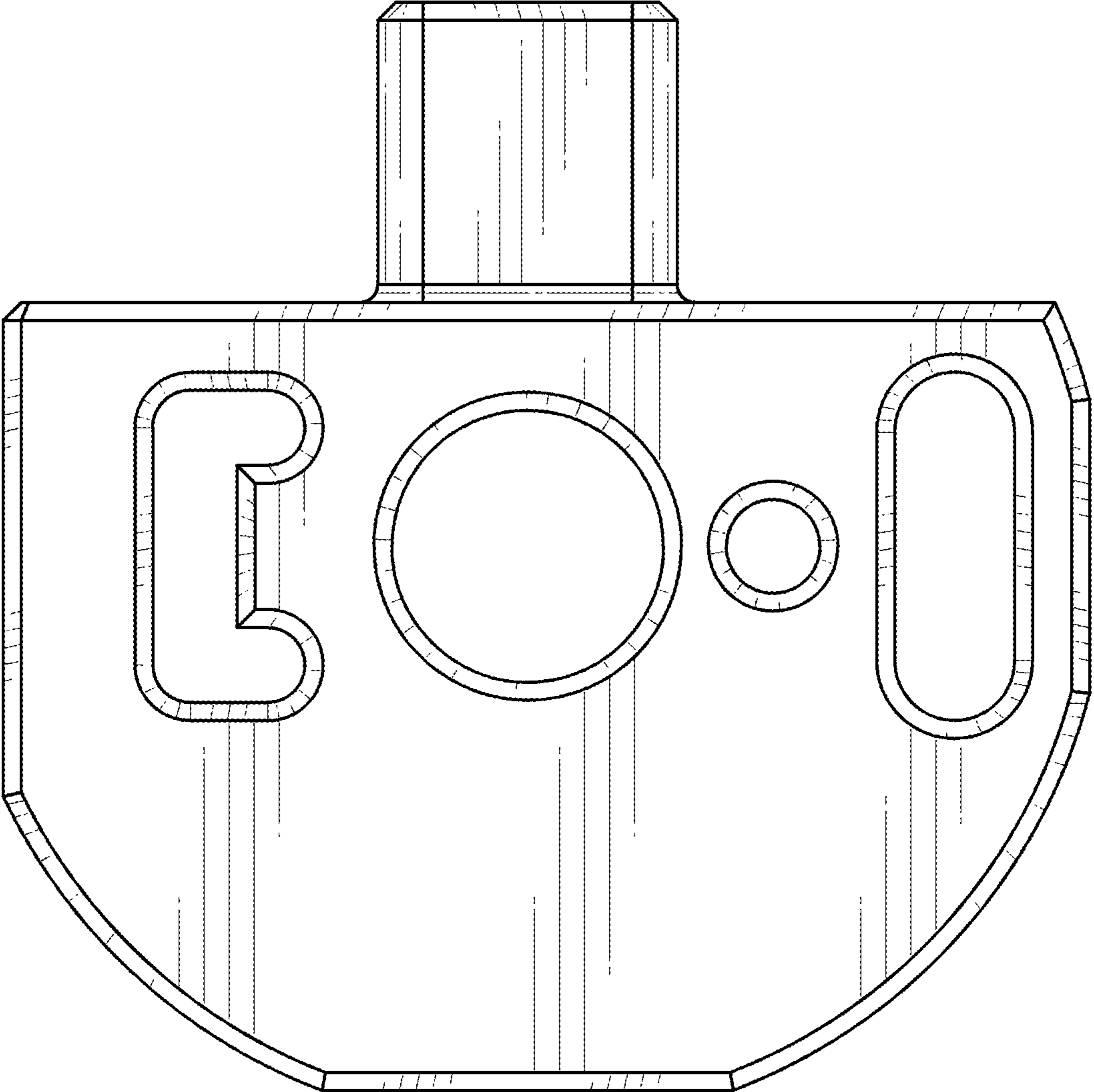


FIG. 5

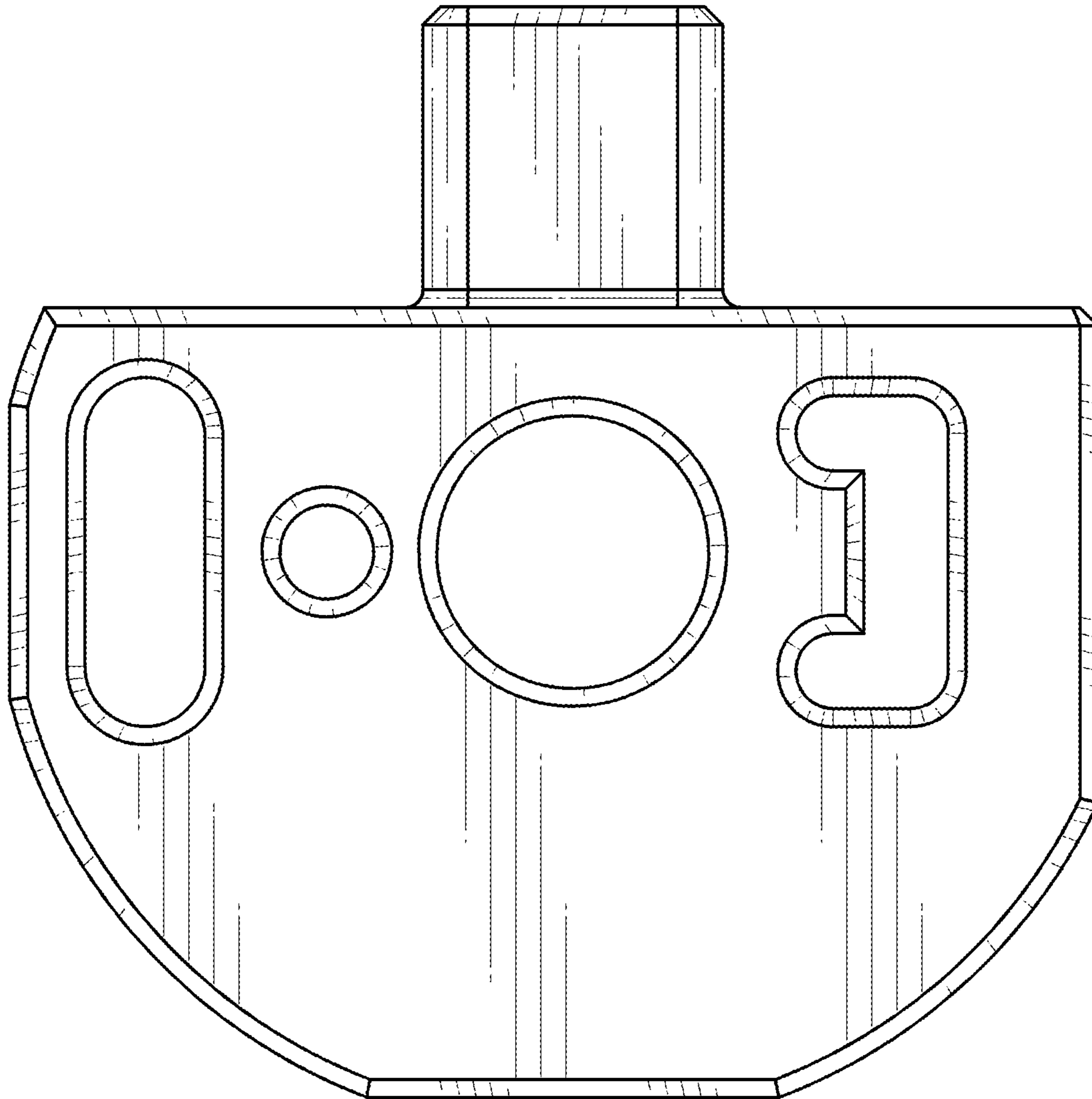


FIG. 6

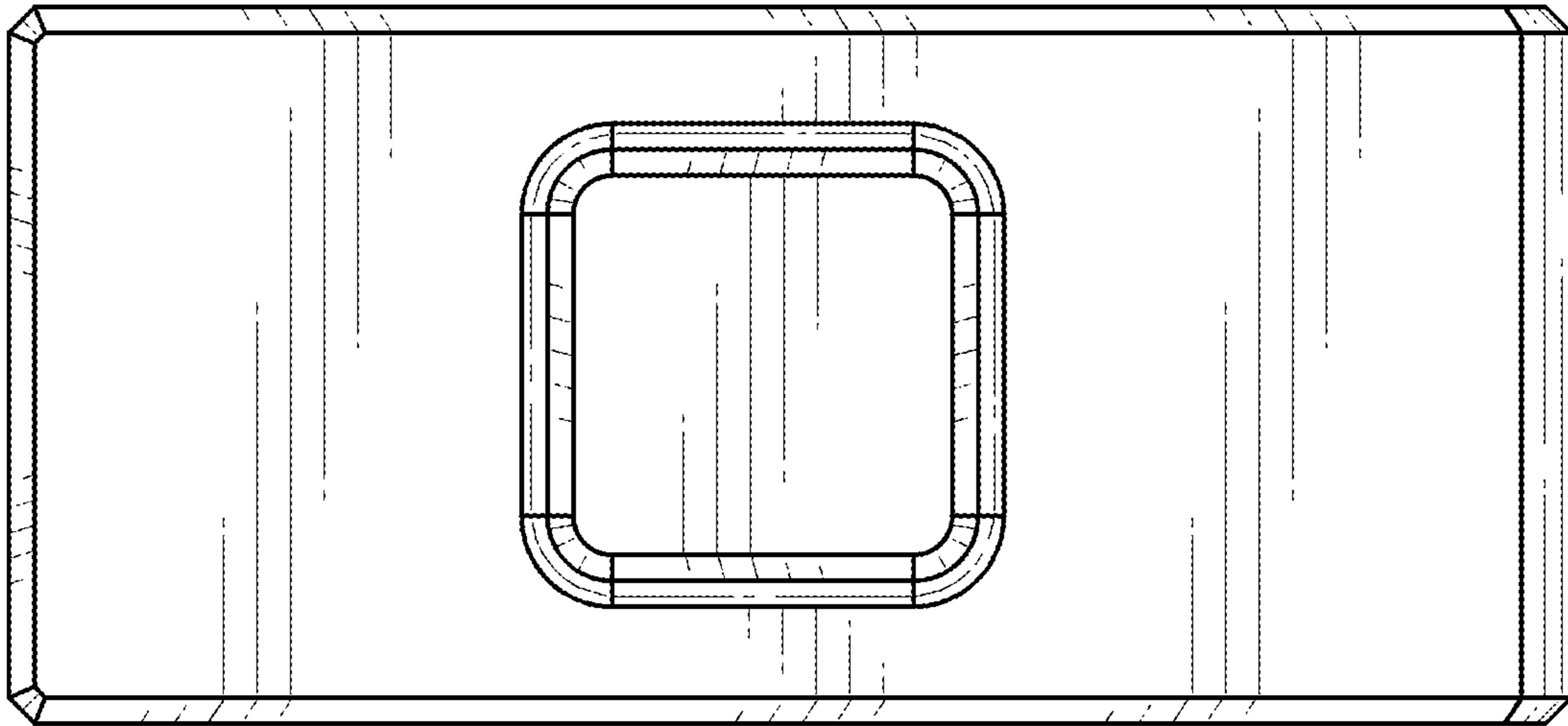


FIG. 7

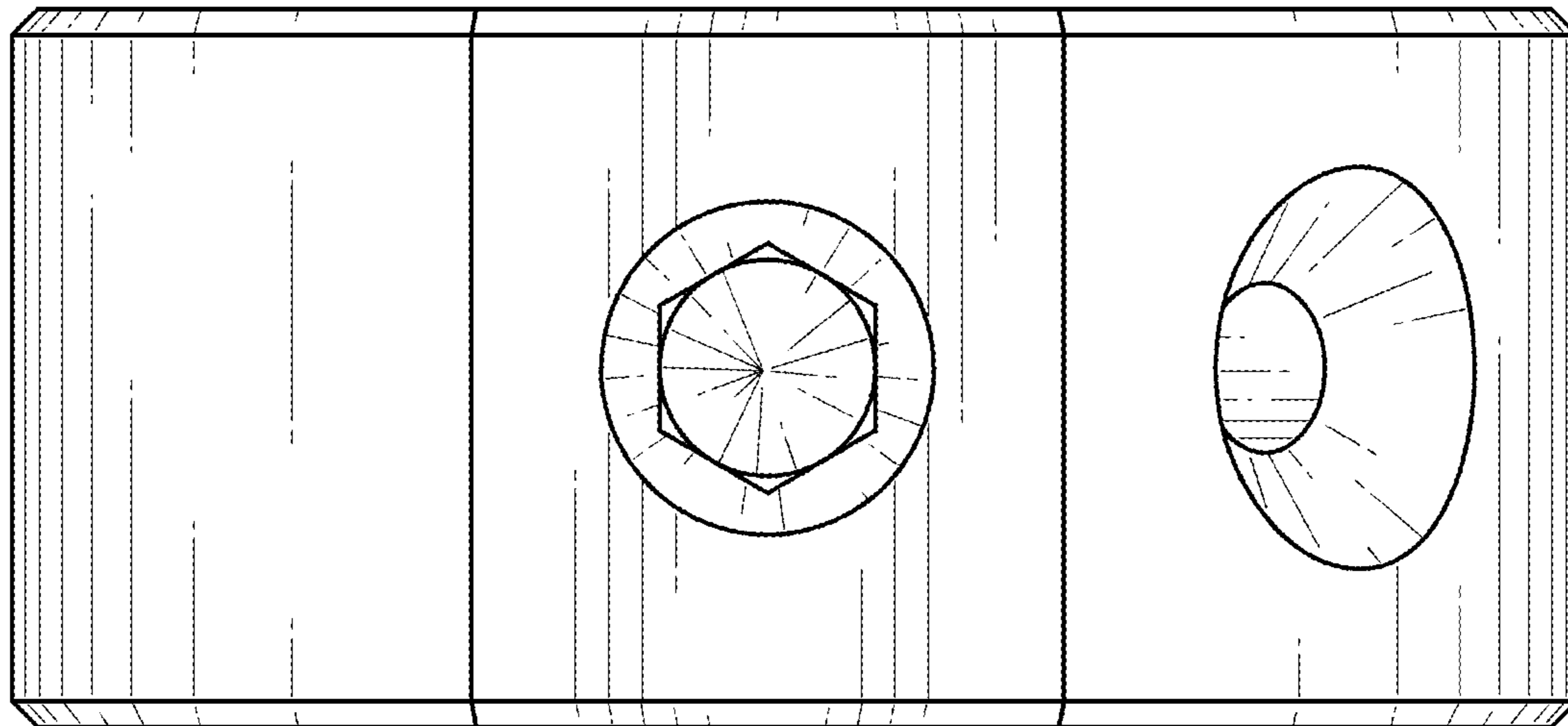


FIG. 8

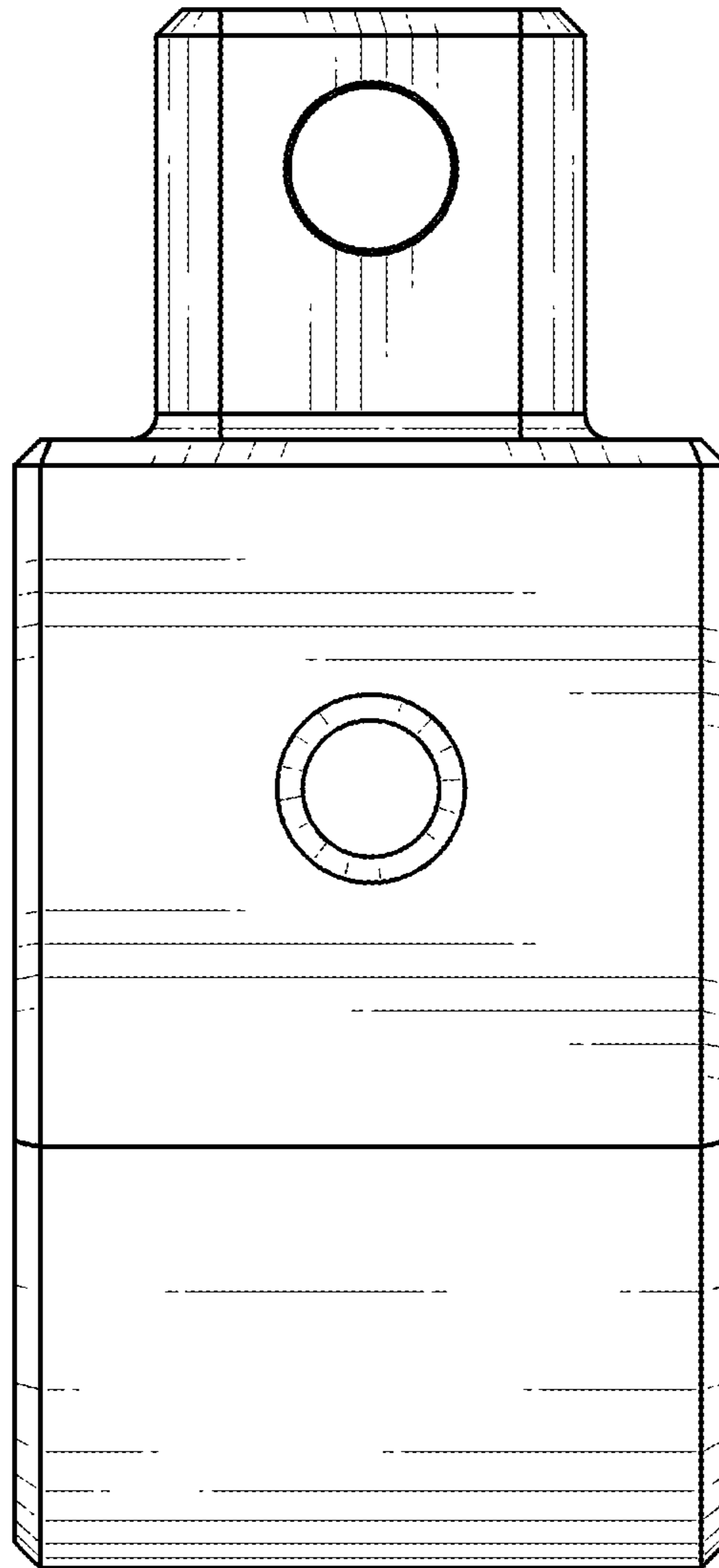


FIG. 9

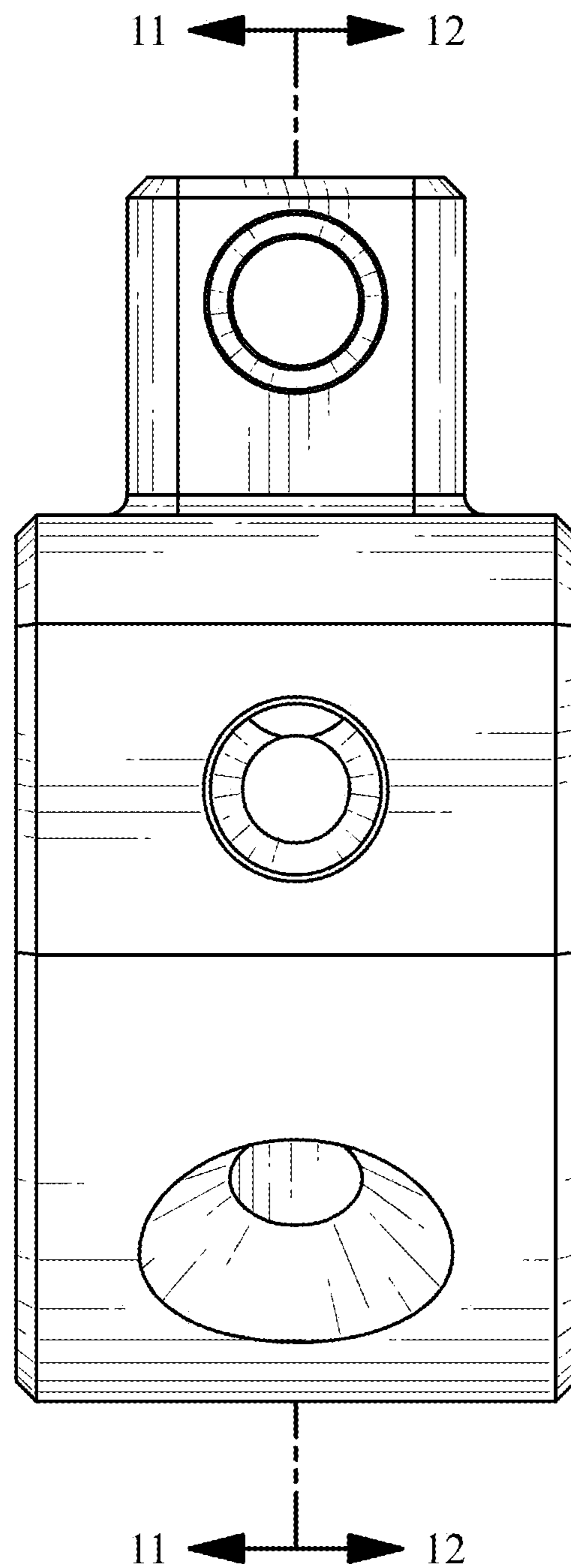


FIG. 10

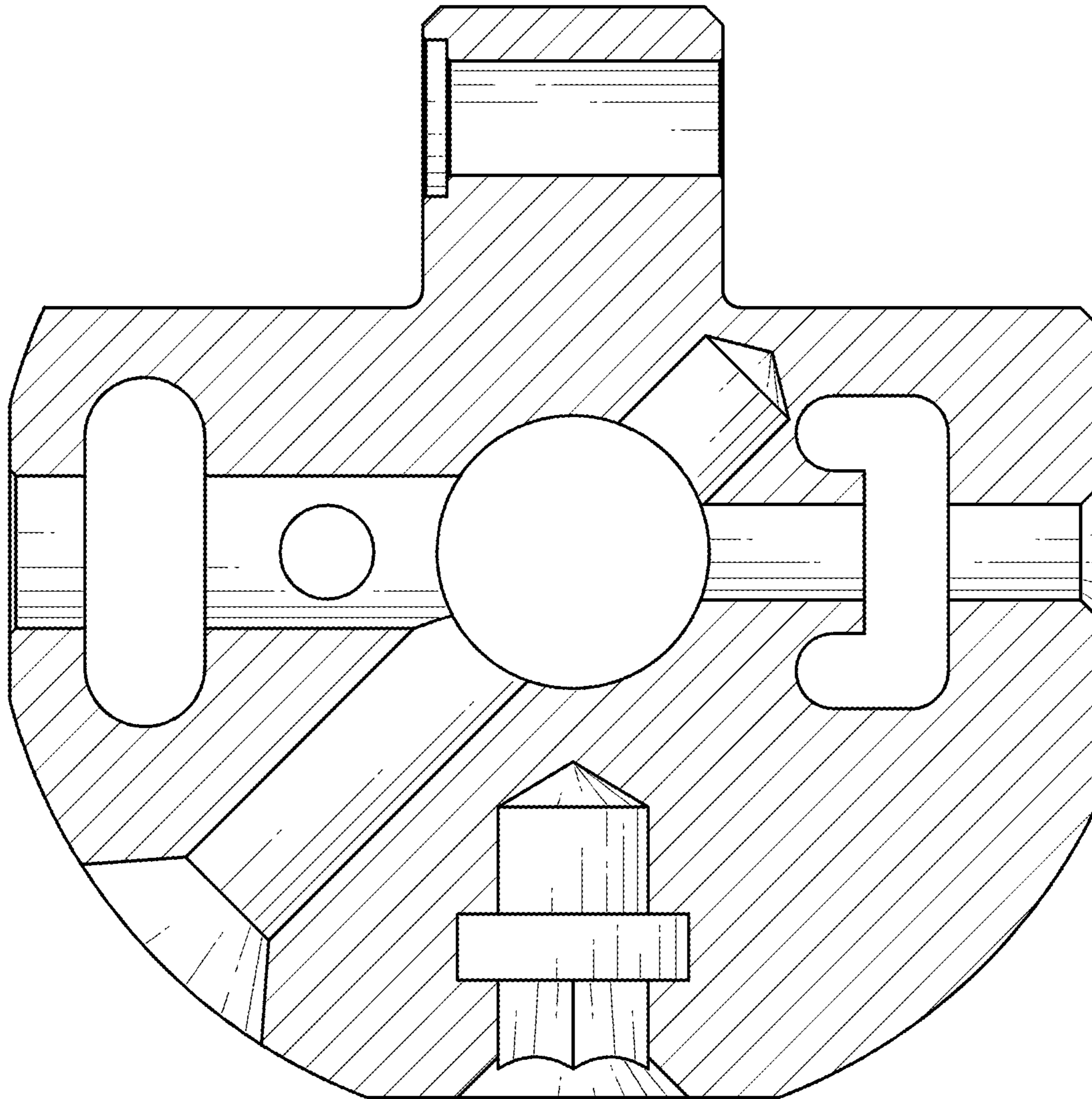


FIG. 11

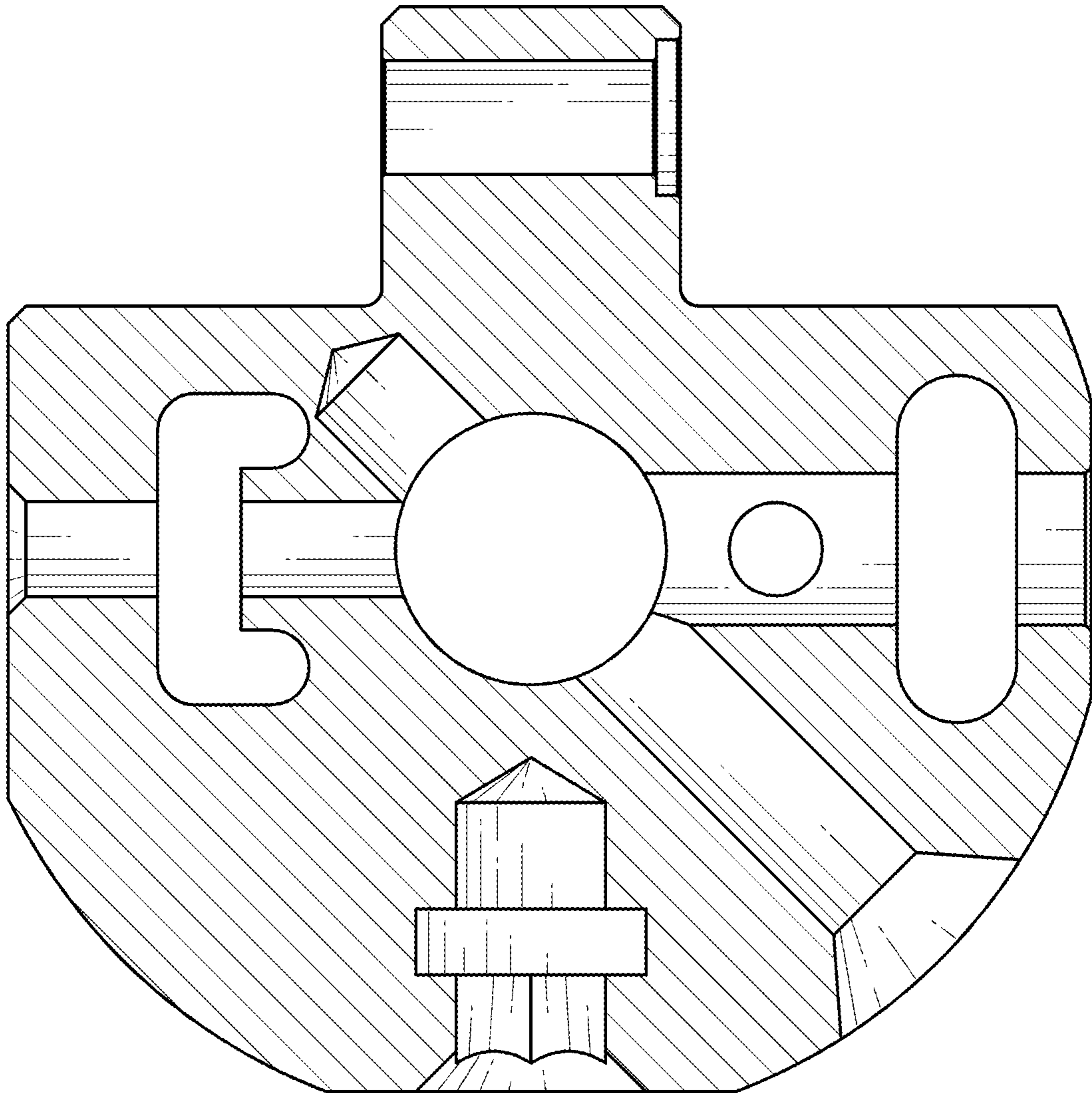


FIG. 12

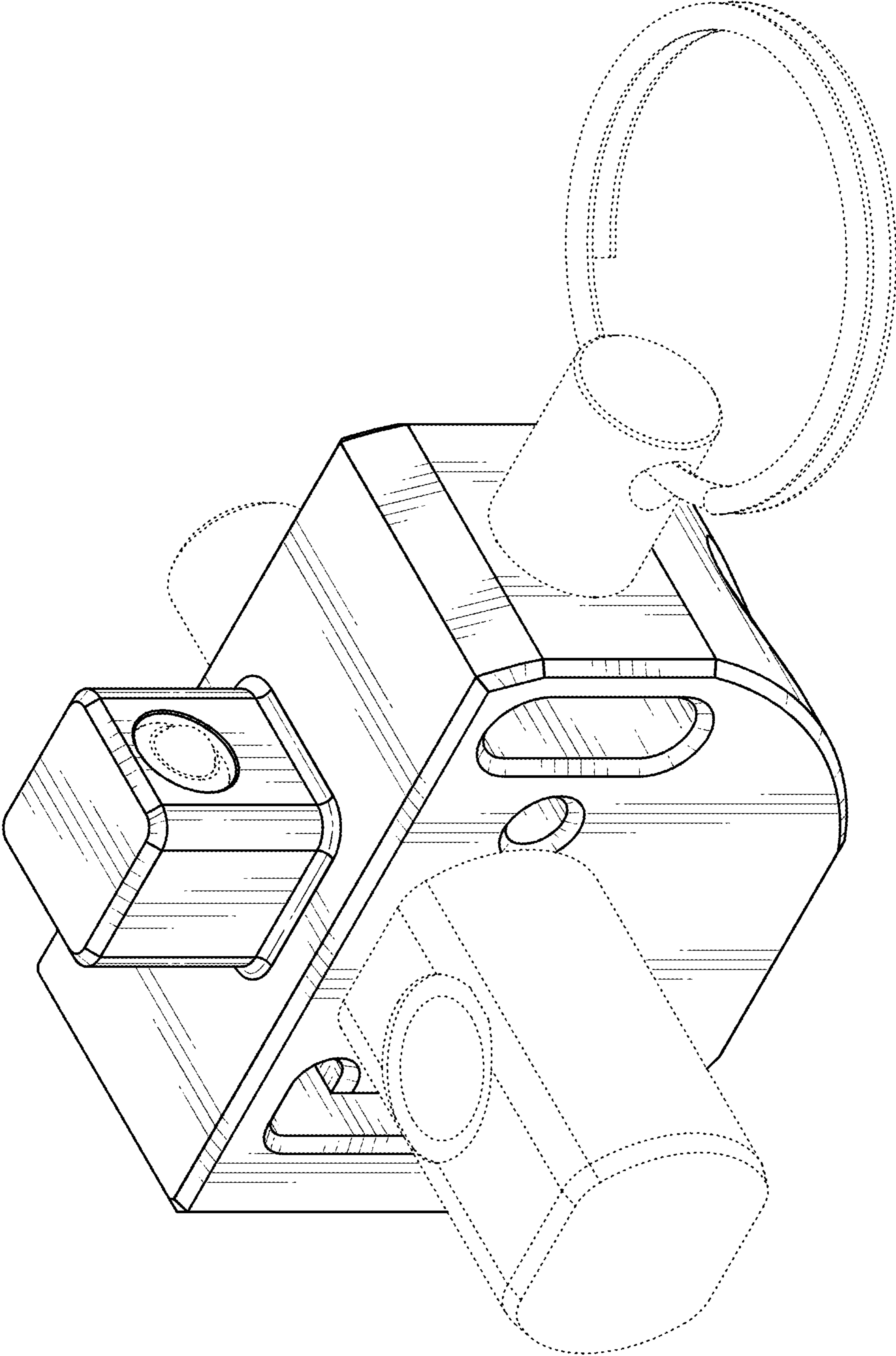


FIG. 13

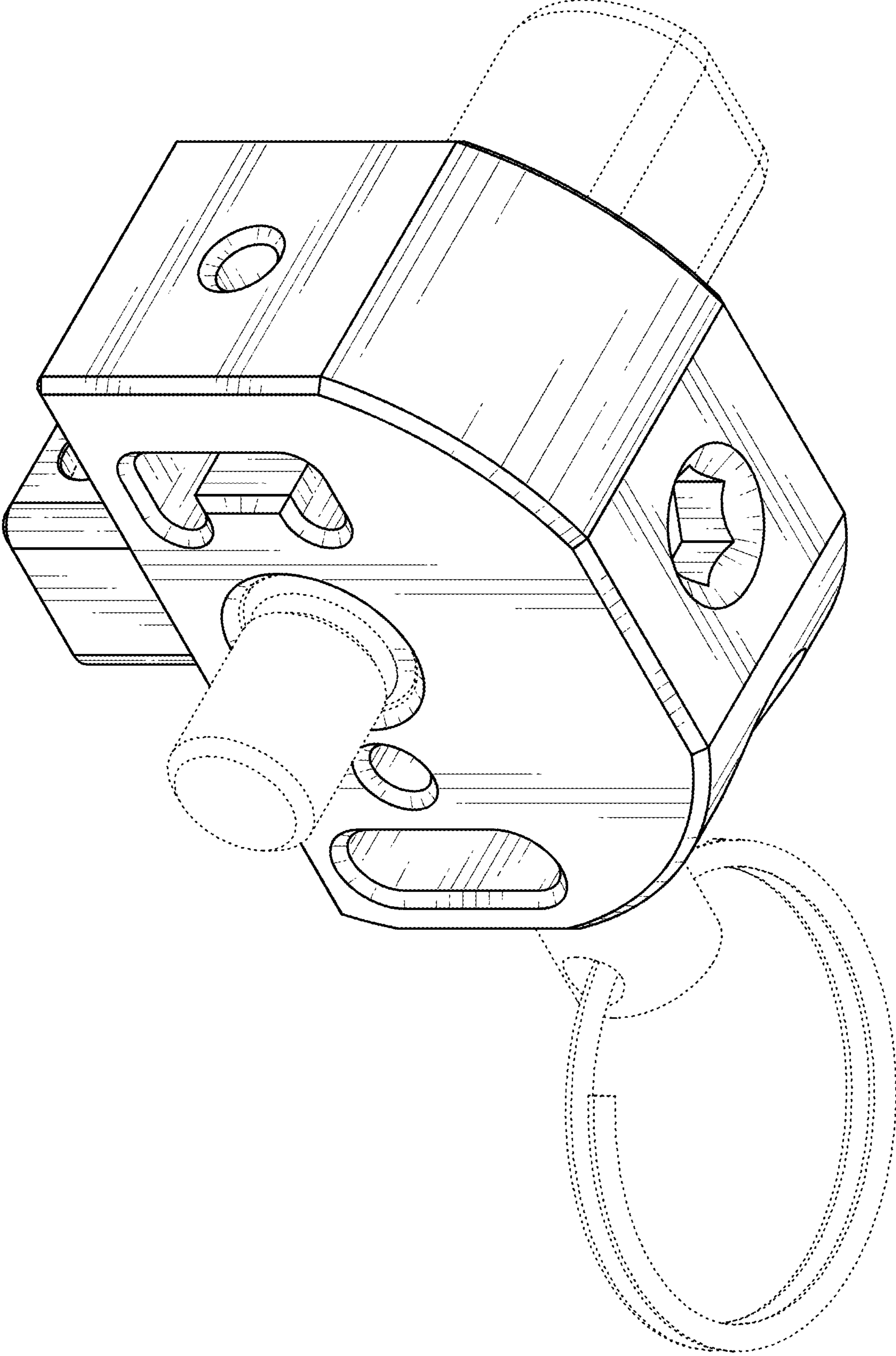


FIG. 14