



US00D977606S

(12) **United States Design Patent** (10) **Patent No.:** **US D977,606 S**
Vicale (45) **Date of Patent:** **** Feb. 7, 2023**

(54) **NOVELTY BUTTON**
(71) Applicant: **Emil Vicale**, Danbury, CT (US)
(72) Inventor: **Emil Vicale**, Danbury, CT (US)
(**) Term: **15 Years**
(21) Appl. No.: **29/768,809**
(22) Filed: **Feb. 1, 2021**
(51) **LOC (14) Cl.** **20-03**
(52) **U.S. Cl.**
USPC **D21/812**; D19/100
(58) **Field of Classification Search**
USPC D21/812, 813, 324, 405; D19/65, 95, 96,
D19/100; D13/168, 171
CPC H01H 13/14; A63F 9/00; A63F 9/18-183;
G10K 9/00
See application file for complete search history.

(56) **References Cited**

U.S. PATENT DOCUMENTS

3,913,246 A * 10/1975 Wahlberg G09B 5/062
434/173
4,215,388 A * 7/1980 Reimann A44C 15/0015
362/104
D305,022 S * 12/1989 Hallgren D13/171
5,136,468 A * 8/1992 Wong G11B 33/128
5,224,019 A * 6/1993 Wong G06F 1/184
439/74
5,239,450 A * 8/1993 Wall A44C 15/0015
362/104
D537,480 S * 2/2007 Sullivan D19/100
D582,498 S * 12/2008 Austin D21/791
D606,595 S * 12/2009 Levy D21/405
D631,929 S * 2/2011 Doone D19/100
D635,887 S * 4/2011 Snarr D11/131
D653,723 S * 2/2012 Rocco D19/100
D658,258 S * 4/2012 Rocco D19/100
8,169,304 B2 * 5/2012 Schuman, Sr. H04L 67/12
340/286.07
D678,449 S * 3/2013 Rocco D19/100

D680,183 S * 4/2013 Rocco D19/100
D681,754 S * 5/2013 Rocco D21/722
D681,755 S * 5/2013 Rocco D21/722
D685,790 S * 7/2013 Tang D14/218
D705,355 S * 5/2014 Webster D19/86
D837,328 S * 1/2019 Rocco D21/812
D893,644 S * 8/2020 Rocco D21/722
D967,783 S * 10/2022 Dimberg D13/174
D969,756 S * 11/2022 Altonen D13/168

(Continued)

FOREIGN PATENT DOCUMENTS

WO WO-9804316 A1 * 2/1998 A61M 5/172

OTHER PUBLICATIONS

<https://www.amazon.com/Neutral-Button-Voice-Recording-Button-Recordable-Second-Answer/dp/B07VKP2QM2?th=1>; Dec. 2019.*

(Continued)

Primary Examiner — Mitchell I. Siegel
(74) *Attorney, Agent, or Firm* — Carmody Torrance
Sandak & Hennessey LLP

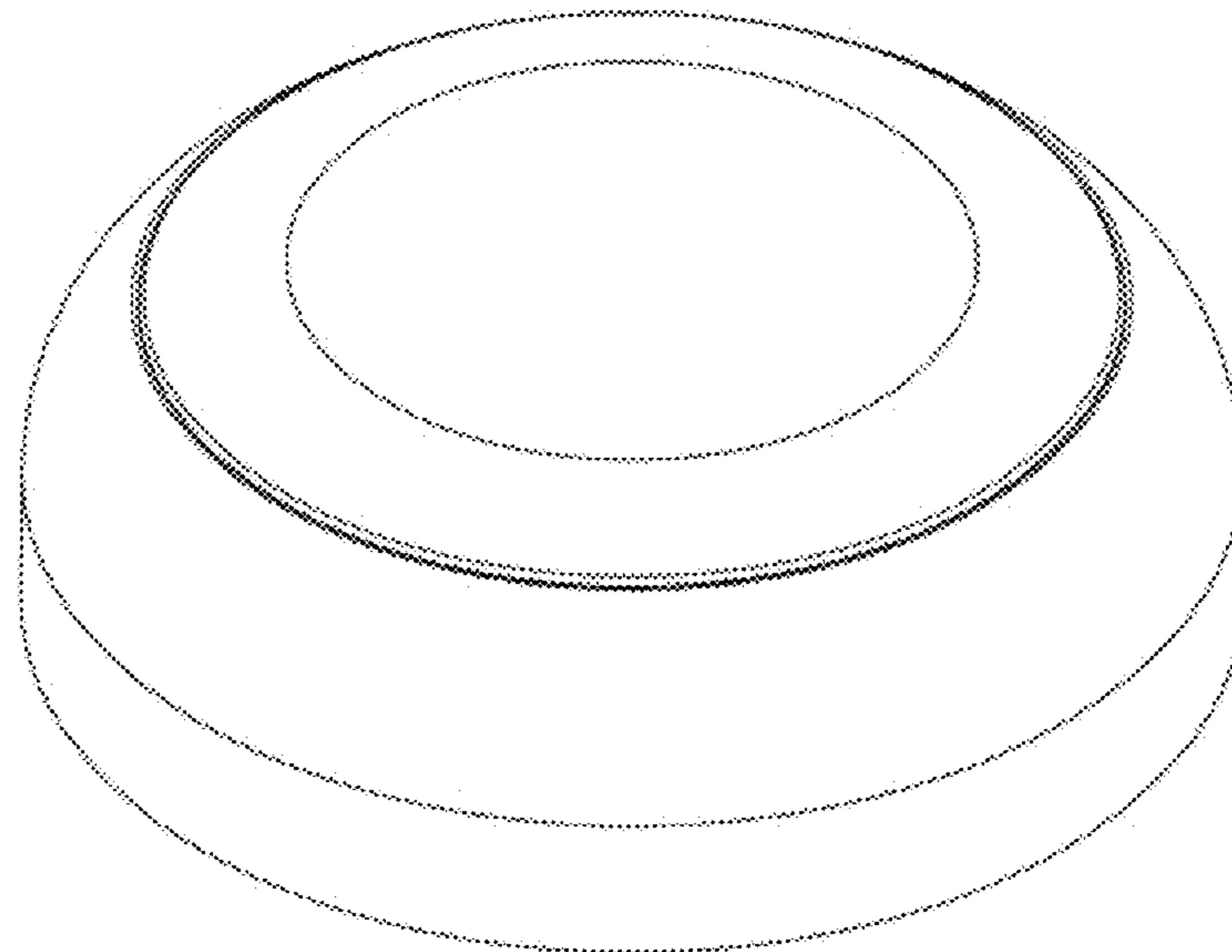
(57) **CLAIM**

The ornamental design for a novelty button, as shown and described.

DESCRIPTION

FIG. 1 is a front elevational view of a novelty button showing my new design;
FIG. 2 is a side elevational view of the novelty button for my new design;
FIG. 3 is a side view of the novelty button for my new design; and,
FIG. 4 is a bottom view of the novelty button of FIG. 3. The broken lines showing the battery compartment, speaker, feet, and on/off switch in FIG. 4 form no part of the claimed design.

1 Claim, 3 Drawing Sheets



(56)

References Cited

U.S. PATENT DOCUMENTS

D969,757 S * 11/2022 Altonen D13/168
2006/0255032 A1 * 11/2006 Borene G08B 3/10
206/457
2009/0003643 A1 * 1/2009 Canivenq H04R 1/44
381/386
2009/0033473 A1 * 2/2009 Yu G10K 9/22
340/384.6
2012/0194327 A1 * 8/2012 Schuman, Sr. G16H 40/20
340/286.07

OTHER PUBLICATIONS

<https://www.amazon.com/Neutral-Record-Talking-Button-Black/dp/B073S3BKN6>; Dec. 2017.*

https://www.pricepulse.app/neutral-sound-button-voice-recording-button-record_us_11423277; Apr. 2022.*

Novelty push button search; google.com; Apr. 2022.*

* cited by examiner

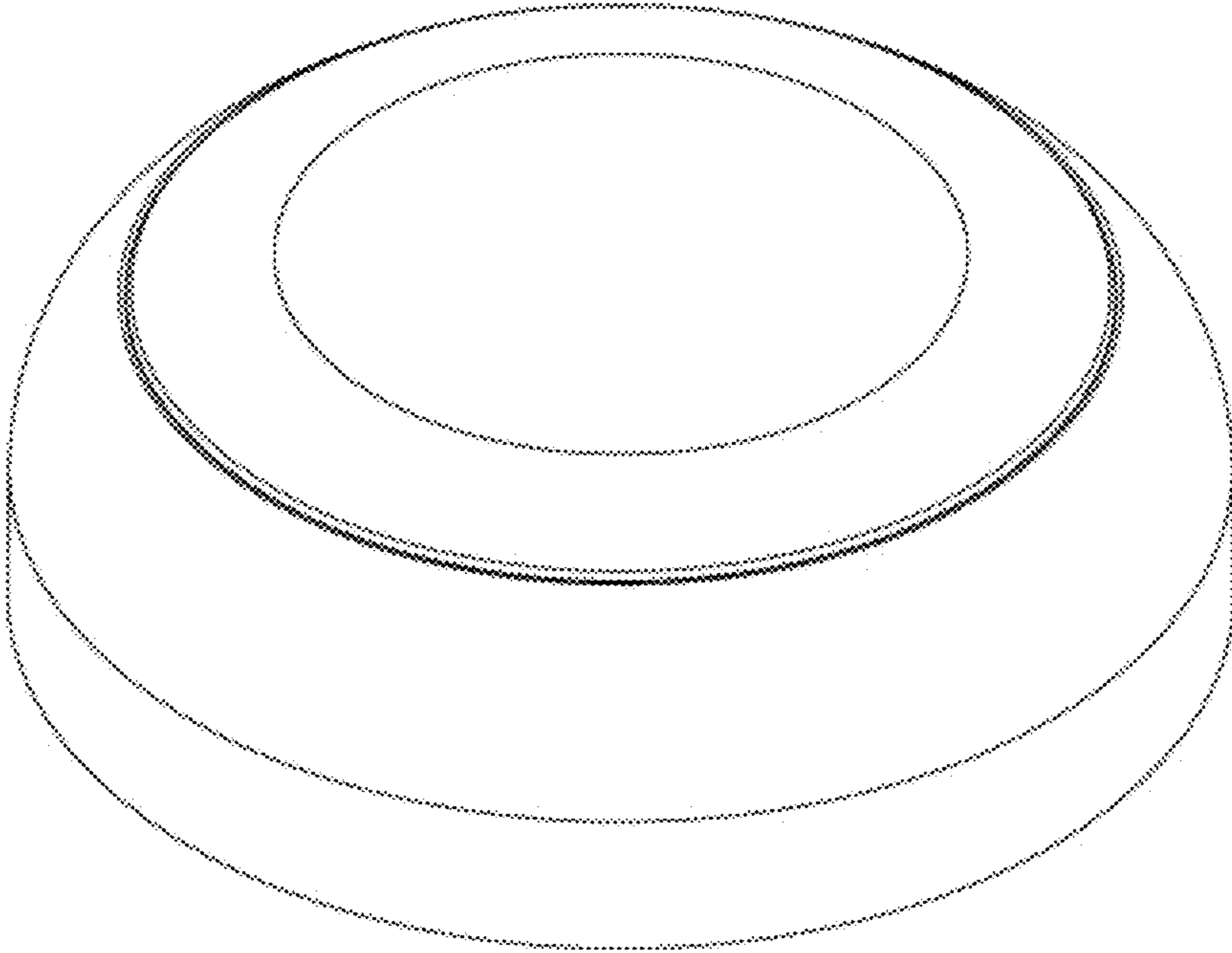


FIGURE 1

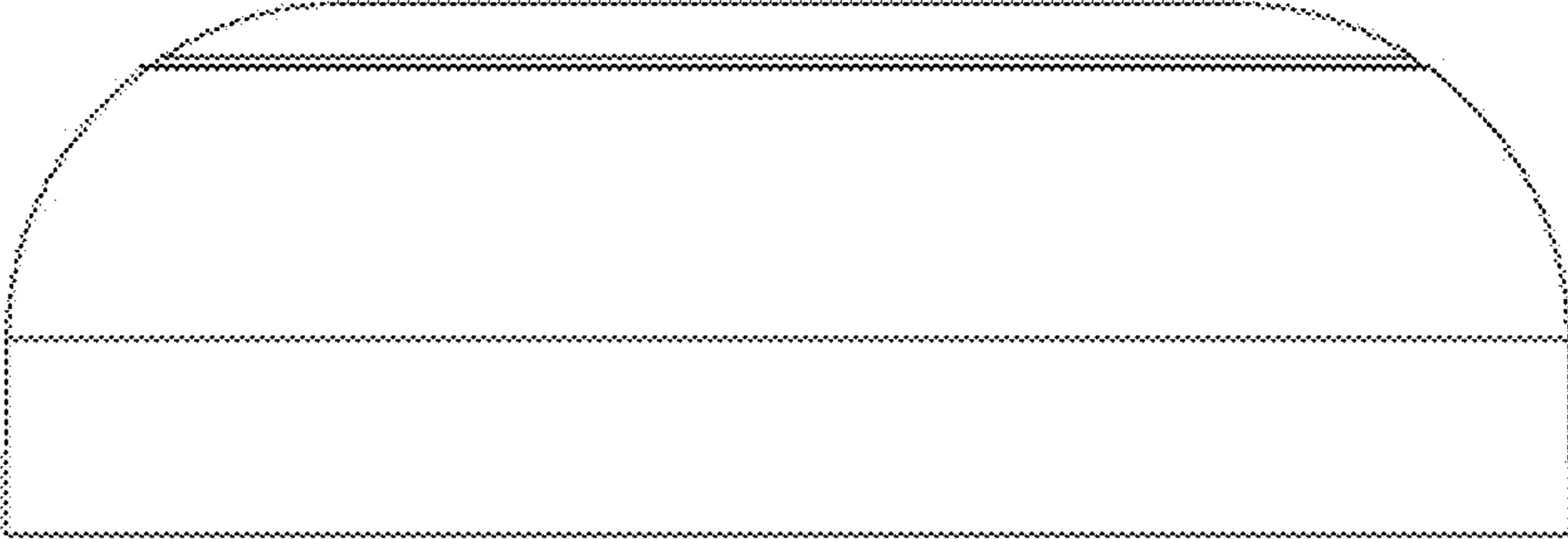


FIGURE 2

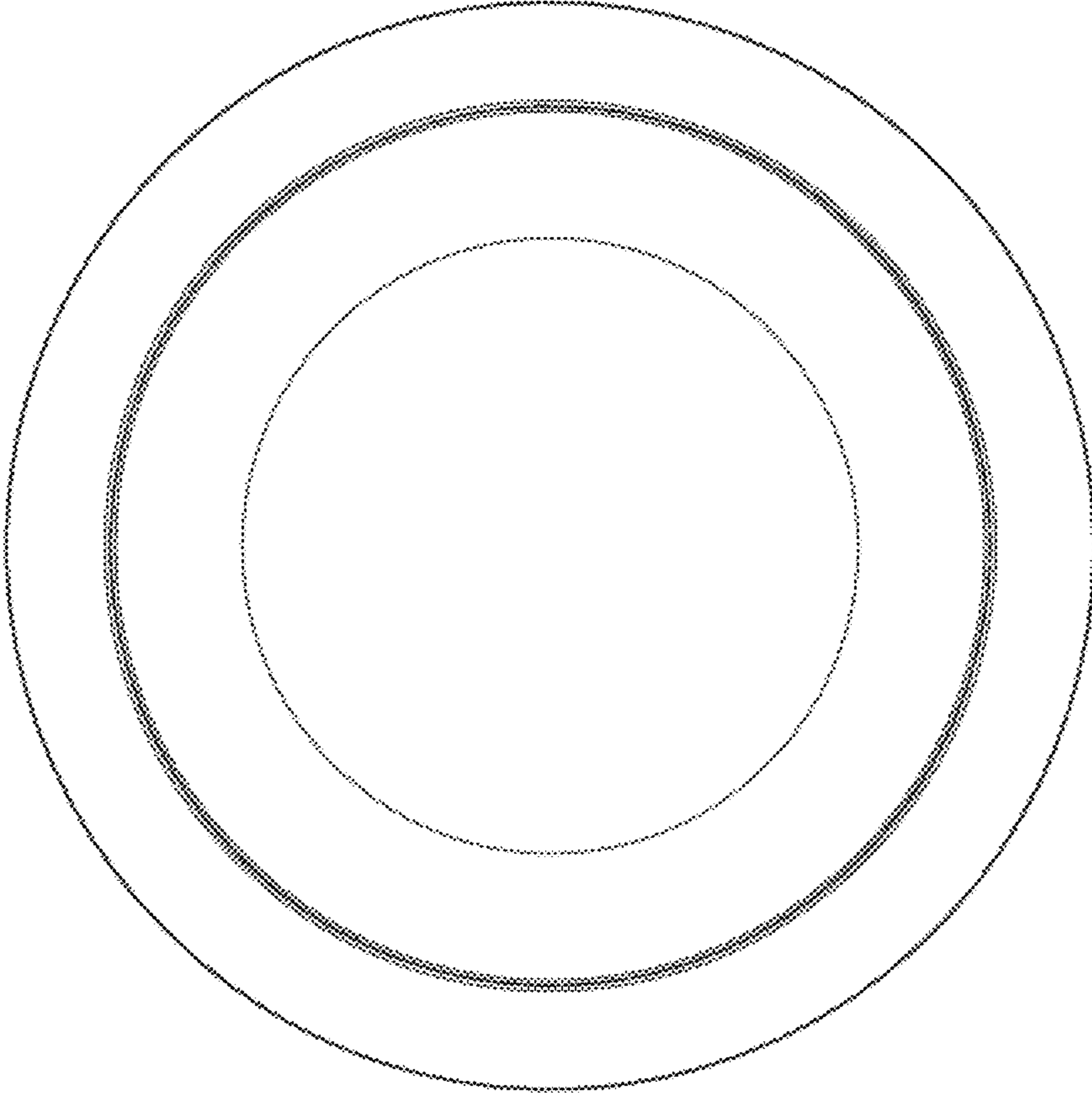


FIGURE 3

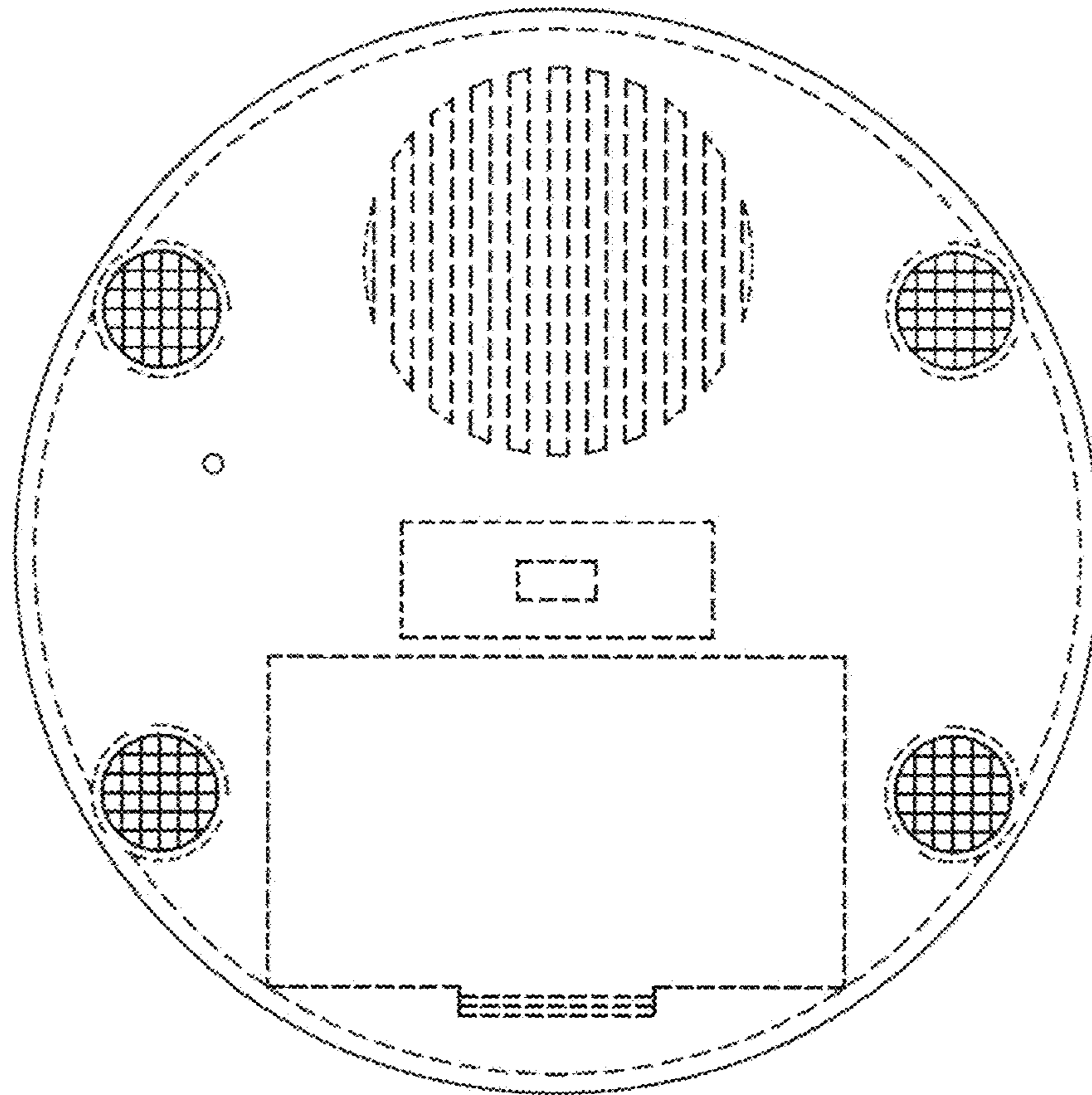


FIGURE 4