



US00D977603S

(12) **United States Design Patent** (10) **Patent No.:** **US D977,603 S**
Wang (45) **Date of Patent:** **** Feb. 7, 2023**

(54) **SURFBOARD TAIL FIN** 8,465,334 B2 * 6/2013 Hort B63B 32/66
441/79
(71) Applicant: **RUNWAVE INC**, Brighton, CO (US) 9,004,968 B1 * 4/2015 Mason B63B 32/66
441/74
(72) Inventor: **Tao Wang**, Weihai (CN) 9,242,707 B2 * 1/2016 Yeh B62B 17/00
9,505,471 B2 * 11/2016 Wunner B63B 32/40
D775,291 S 12/2016 Thomas
(73) Assignee: **RUNWAVE INC** 9,669,905 B1 * 6/2017 Pierce B63B 32/66
9,809,285 B1 * 11/2017 Yeh B63B 32/66
D832,959 S * 11/2018 Webster D21/778
D869,587 S * 12/2019 Bell D21/778
10,513,318 B1 * 12/2019 Parks B63B 32/70
2006/0189230 A1 * 8/2006 Sams B63B 32/66
441/79
(**) Term: **15 Years** 2008/0311807 A1 * 12/2008 Luke B63B 32/66
441/79
(21) Appl. No.: **29/854,618**
(22) Filed: **Sep. 27, 2022**
(51) **LOC (14) Cl.** **21-02**
(52) **U.S. Cl.**
USPC **D21/769**; D21/771; D12/317
(58) **Field of Classification Search**
USPC D21/769, 770, 771, 778, 801, 803, 805,
D21/804, 806, 807, 808; D12/309, 317,
D12/337, 338, 345
CPC B63B 35/00; B63B 2035/715; B63B
35/7926; B63B 35/7906
See application file for complete search history.

(Continued)

OTHER PUBLICATIONS

“Surfboard Fin,9” Detachable Tail Fin Surfing Watershed Fin Longboard Center Fin PVC Paddleboard Fin” [online]. FEECOS. [Product first available on Apr. 13, 2022]. Retrieved from the Internet: <https://www.amazon.com/dp/B09XTY6C71/>.*

Primary Examiner — Mojtaba Tehrani
(74) *Attorney, Agent, or Firm* — Nitin Kaushik

(57) **CLAIM**

The ornamental design for a surfboard tail fin, as shown and described.

DESCRIPTION

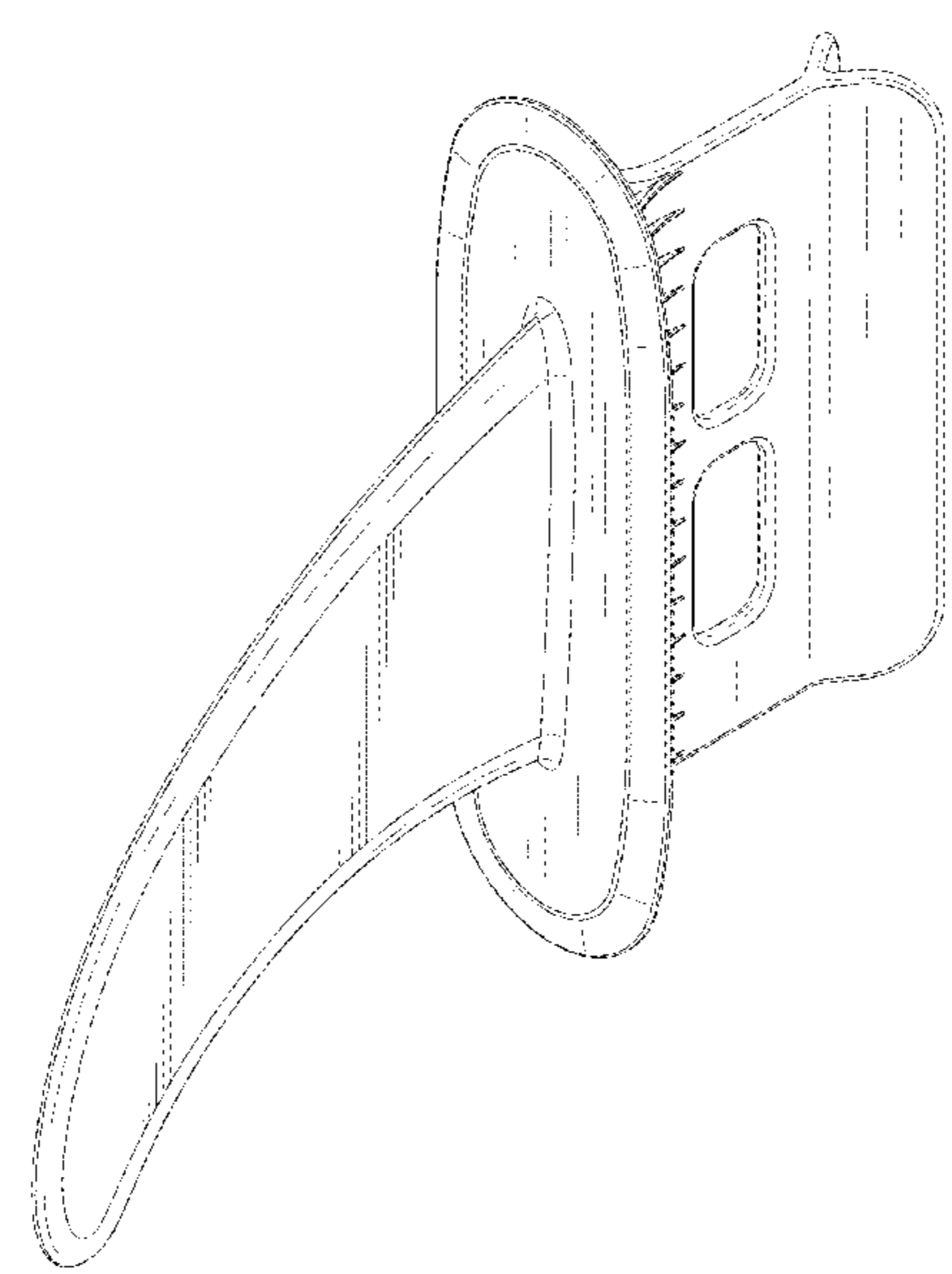
FIG. 1 is a front perspective view of a surfboard tail fin, showing my new design;
FIG. 2 is a front view thereof;
FIG. 3 is a rear view thereof;
FIG. 4 is a left side view thereof;
FIG. 5 is a right side view thereof;
FIG. 6 is a top view thereof; and,
FIG. 7 is a bottom view thereof.

1 Claim, 7 Drawing Sheets

(56) **References Cited**

U.S. PATENT DOCUMENTS

D220,137 S * 3/1971 Kwiatkowski 472/129
D267,666 S * 1/1983 Vann D21/778
5,273,472 A * 12/1993 Skedeleski B63B 32/64
114/140
D357,297 S * 4/1995 Newton D21/808
5,480,331 A * 1/1996 Lewis B29D 99/0025
114/127
D418,568 S * 1/2000 Hudson D21/778
D437,907 S * 2/2001 Stuart D21/778
D445,867 S * 7/2001 Reudink D21/772
D502,522 S * 3/2005 Sperafico D21/771
D509,177 S * 9/2005 Clarke D12/317
D528,166 S * 9/2006 Wright B63B 32/60
D21/769
D576,243 S * 9/2008 Moseley D21/803
D660,393 S * 5/2012 Bradley D21/771



(56)

References Cited

U.S. PATENT DOCUMENTS

2010/0173546 A1* 7/2010 Yeh B63B 32/66
441/74
2015/0166152 A1* 6/2015 Ganguli B63B 32/66
441/79
2018/0022428 A1* 1/2018 Ishida B63B 32/66
441/79
2018/0237112 A1* 8/2018 Fairfax B63B 32/60
2019/0071155 A1* 3/2019 Yeh B63B 32/66

* cited by examiner

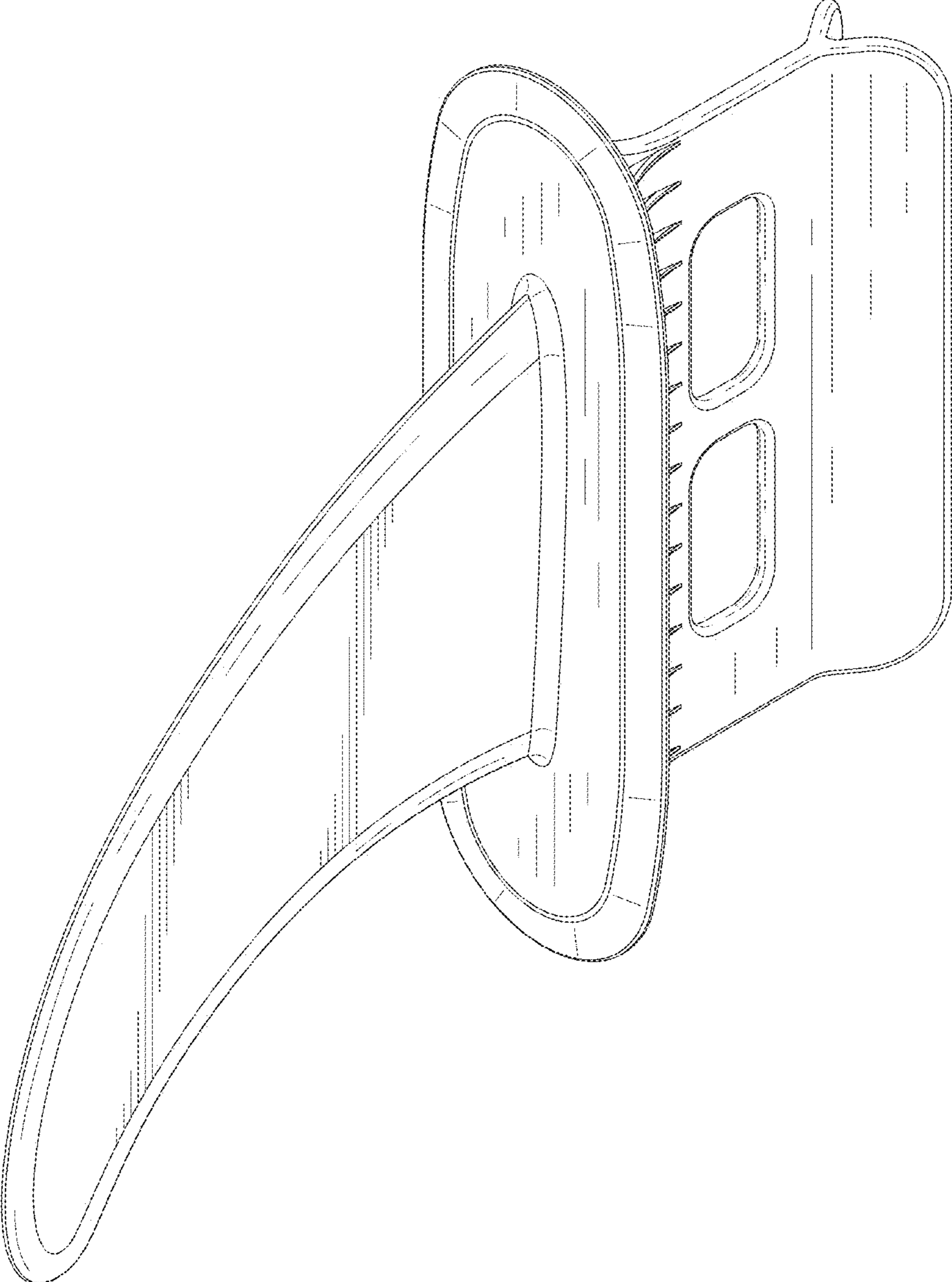


FIG.1

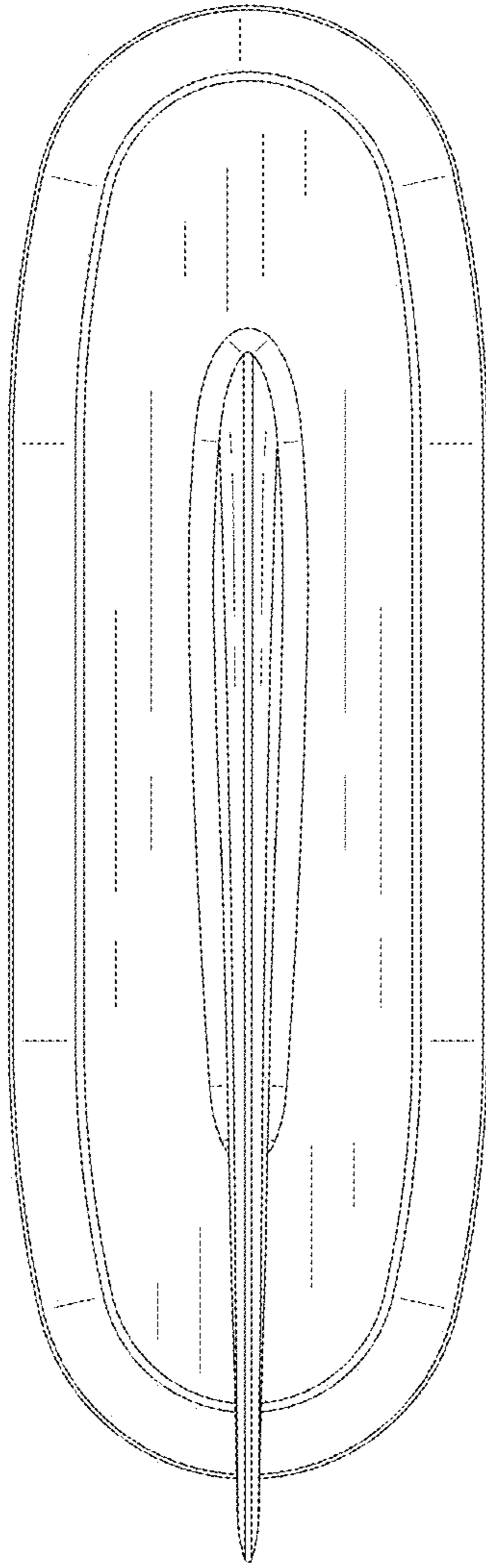


FIG.2

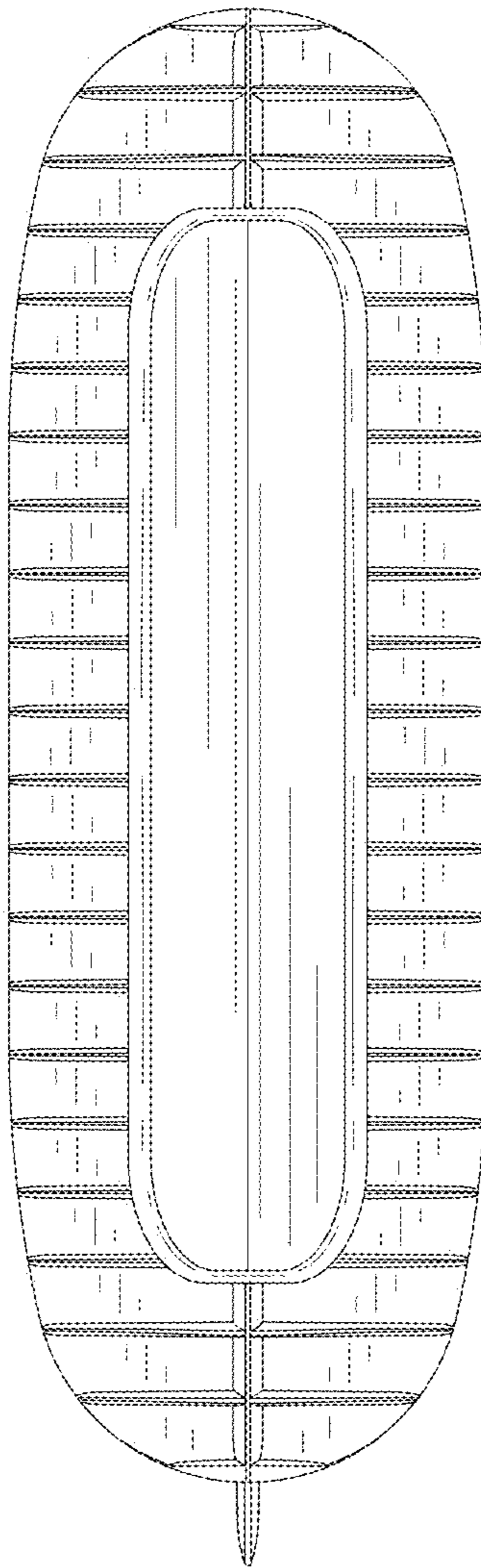


FIG.3

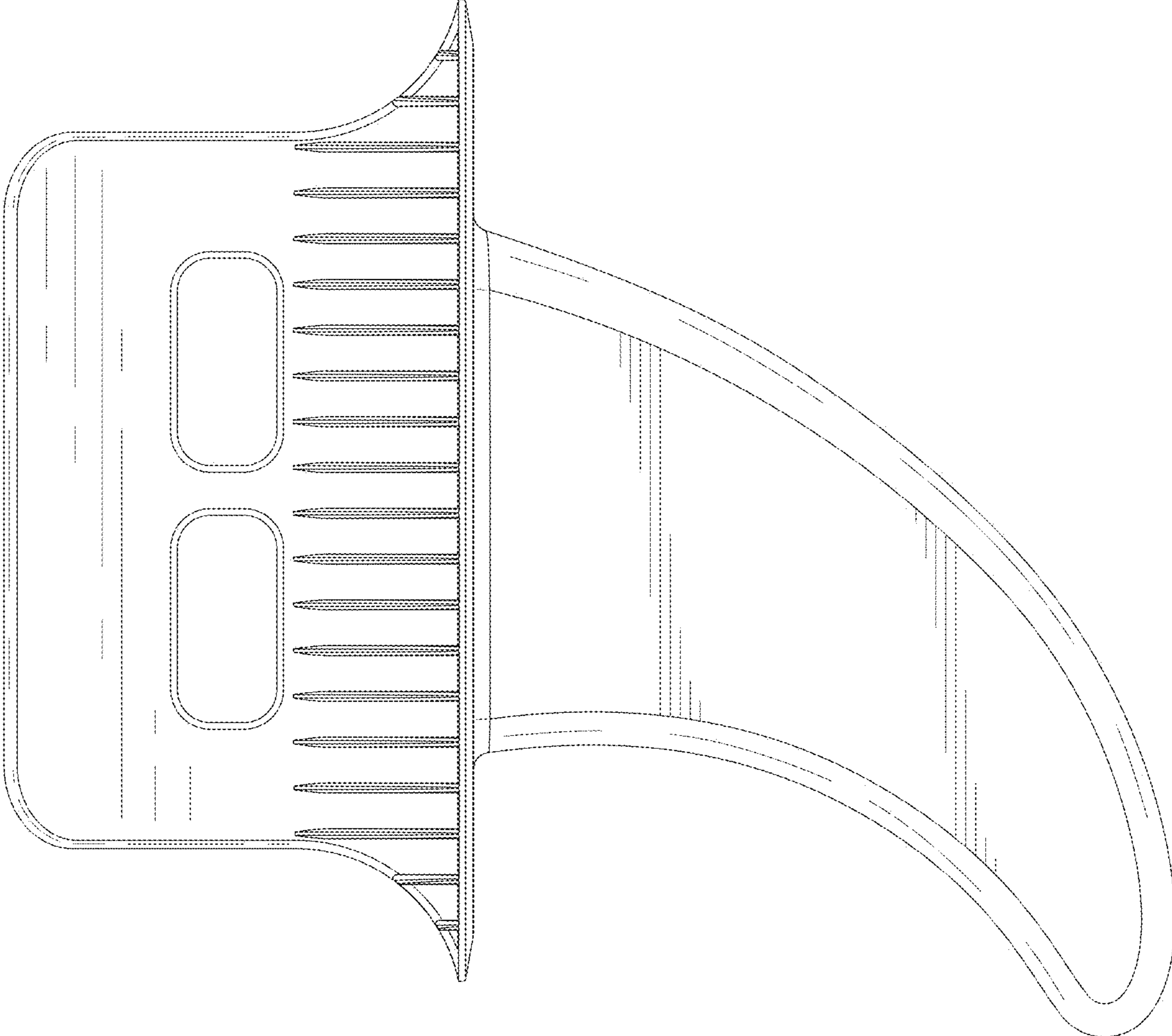


FIG.4

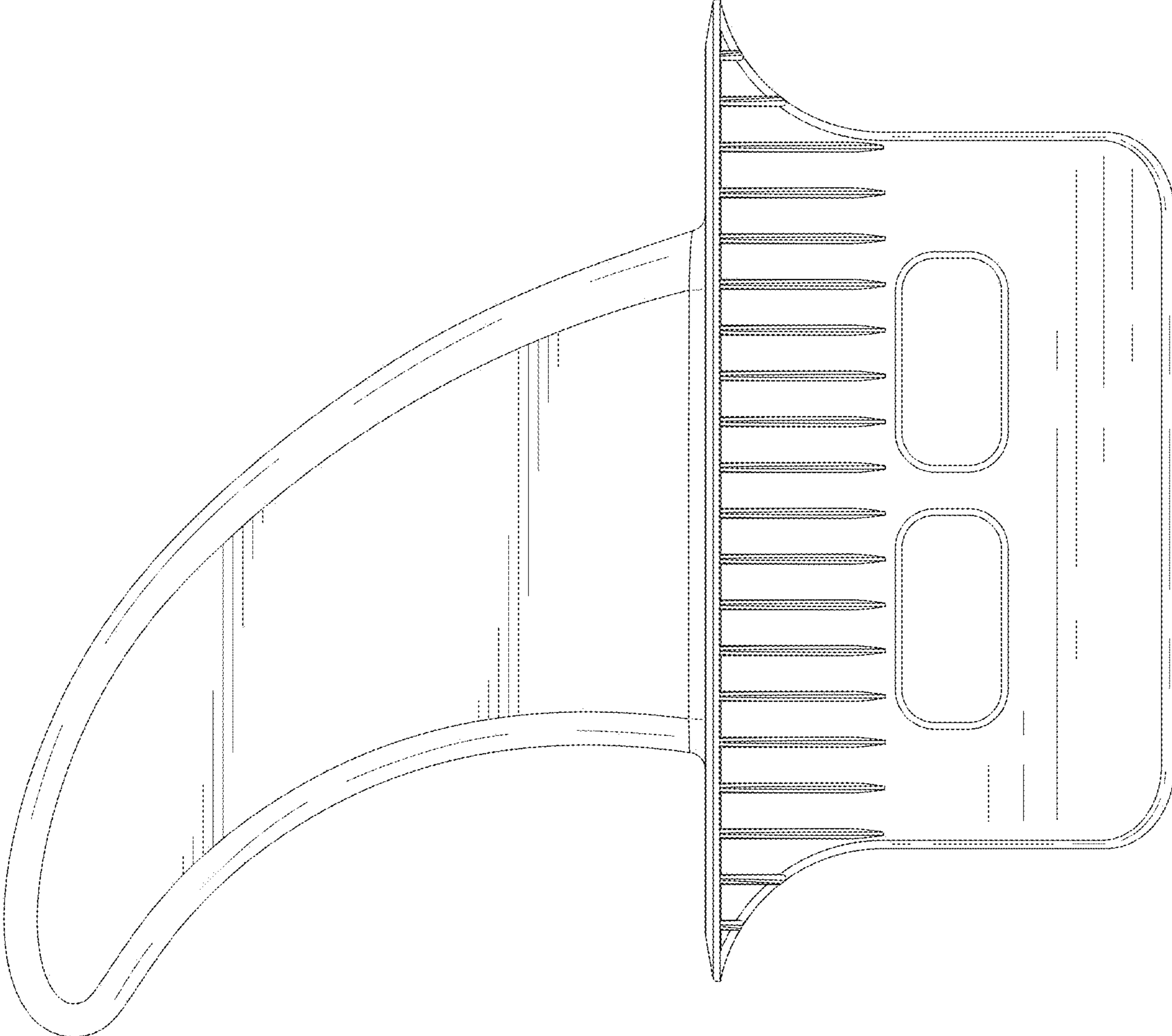


FIG.5

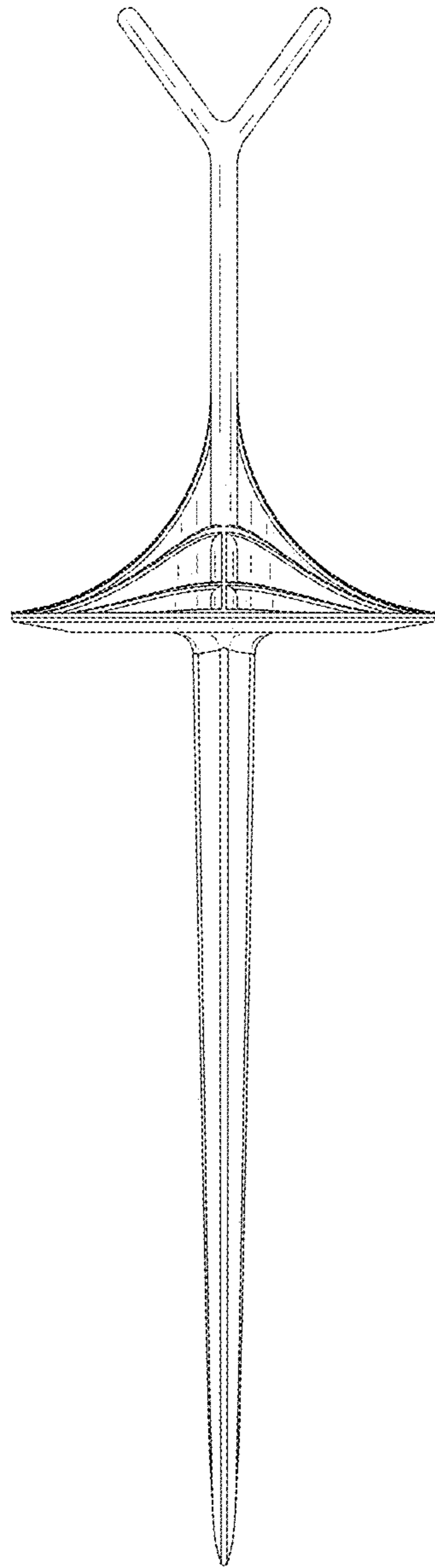


FIG.6

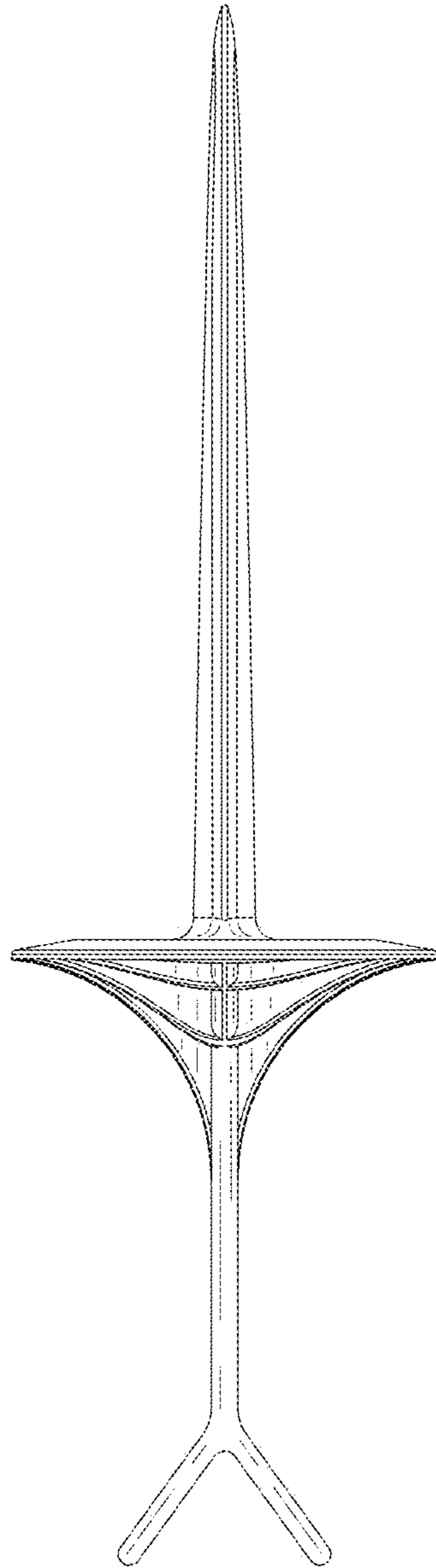


FIG.7