



US00D977601S

(12) **United States Design Patent** (10) **Patent No.:** **US D977,601 S**
Zheng (45) **Date of Patent:** **** Feb. 7, 2023**

(54) **BASKETBALL STAND**

(71) Applicant: **Meijuan Zheng**, Puning (CN)
(72) Inventor: **Meijuan Zheng**, Puning (CN)

(**) Term: **15 Years**

(21) Appl. No.: **29/791,358**

(22) Filed: **Jan. 10, 2022**

(51) **LOC (14) Cl.** **21-02**

(52) **U.S. Cl.**
USPC **D21/702**

(58) **Field of Classification Search**
USPC D21/303, 305, 781, 801, 699-705;
D19/82, 95
CPC ... A63B 63/08; A63B 63/083; A63B 69/0071;
A63B 63/06; A63B 67/007; A63B
2225/60; A63B 2225/605
See application file for complete search history.

(56) **References Cited**

U.S. PATENT DOCUMENTS

D320,637 S *	10/1991	Fish, Jr.	A63B 63/083 D21/702
5,248,140 A *	9/1993	Mower	A63B 63/083 473/484
5,259,612 A *	11/1993	Matherne	A63B 71/023 473/484
5,354,049 A *	10/1994	Matherne	A63B 71/023 473/484
5,377,976 A *	1/1995	Matherne	A63B 63/083 473/483

(Continued)

FOREIGN PATENT DOCUMENTS

CN	304643191	*	5/2018
CN	306243370	*	12/2020

(Continued)

OTHER PUBLICATIONS

Win.Max, available on Amazon.co.jp, date first available Jun. 10, 2021, [site visited Aug. 2, 2022], URL: <https://www.amazon.co.jp/-/en/dp/B08XX8QSQF/> (Year: 2021).*

(Continued)

Primary Examiner — Dana K Weiland
Assistant Examiner — Emily Anna Saunders
(74) *Attorney, Agent, or Firm* — Rumit Ranjit Kanakia

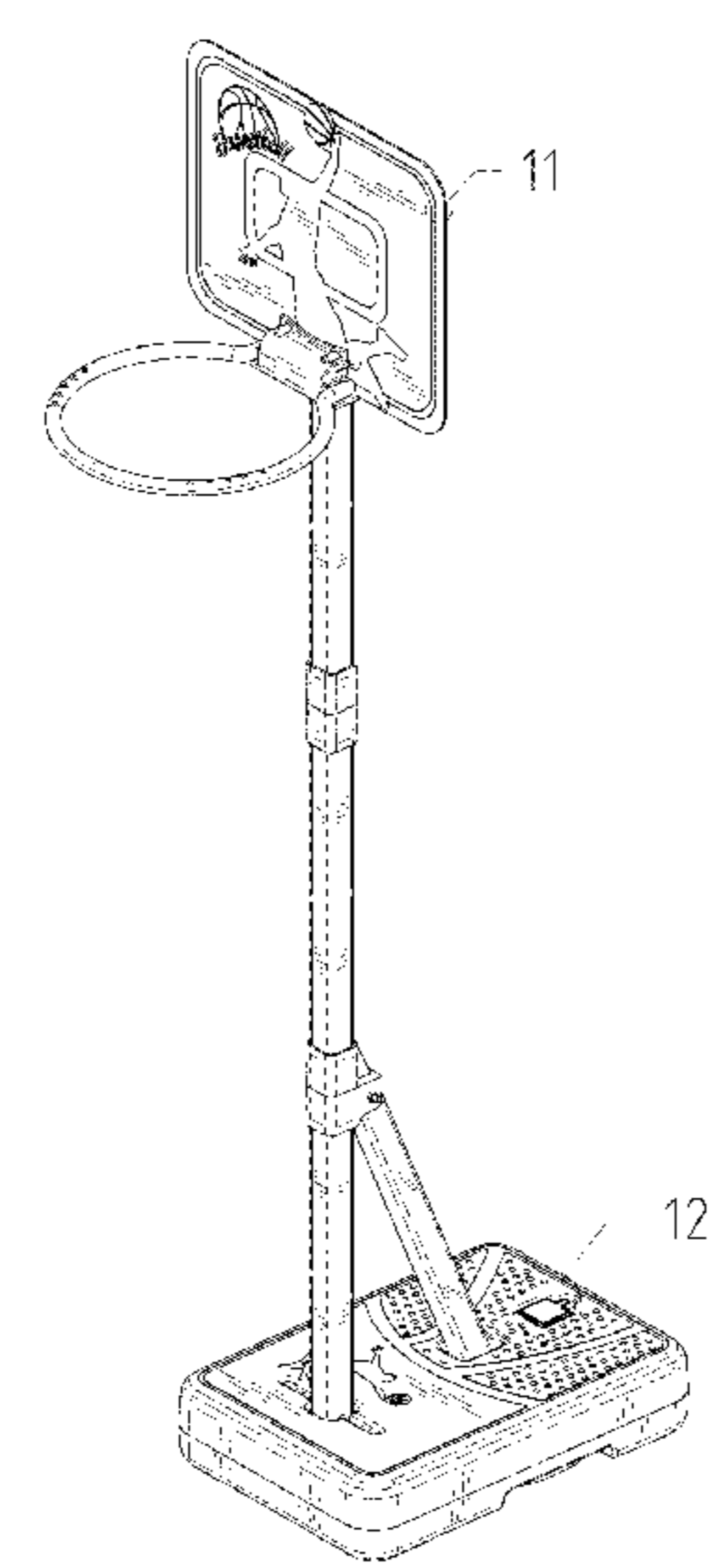
(57) **CLAIM**

The ornamental design for a basketball stand, as shown and described.

DESCRIPTION

FIG. 1 is a first perspective view of a basketball stand showing my new design;
FIG. 2 is a second perspective view thereof;
FIG. 3 is a front view thereof;
FIG. 4 is a back view thereof;
FIG. 5 is a left side view thereof;
FIG. 6 is a right side view thereof;
FIG. 7 is a top view thereof;
FIG. 8 is a bottom view thereof;
FIG. 9 is another perspective view of the basketball stand of FIG. 1, shown in an alternate state of use;
FIG. 10 is an exploded perspective view of the basketball stand of FIG. 1;
FIG. 11 is an enlarged detail view of the encircled portion labeled "11" in FIG. 1;
FIG. 12 is an enlarged detail view of the encircled portion labeled "12" in FIG. 1; and,
FIG. 13 is an enlarged detail view of the encircled portion labeled "13" in FIG. 2.
The dash-dash broken lines depict portions of the basketball stand that form no part of the claimed design. The long dash-short dash broken lines encircle portions of the basketball stand shown in detail views and form no part of the claimed design.

1 Claim, 13 Drawing Sheets



(56)

References Cited

U.S. PATENT DOCUMENTS

5,573,237 A * 11/1996 Van Nimwegen ... A63B 63/083
473/483
5,836,838 A * 11/1998 van Nimwegen ... A63B 63/083
473/481
5,893,809 A * 4/1999 Coats A63B 63/083
473/486
D431,272 S * 9/2000 Graham A63B 63/083
D21/702
6,432,003 B1 * 8/2002 van Nimwegen ... A63B 63/083
473/481
6,656,065 B2 * 12/2003 Nye A63B 71/023
473/481
7,955,082 B1 * 6/2011 Gause G09B 19/0038
473/422
D812,701 S 3/2018 Parham
D878,504 S 3/2020 Parham
D879,226 S 3/2020 Parham
D963,770 S * 9/2022 Zheng D21/702
2004/0092341 A1 * 5/2004 Nye A63B 71/023
473/481
2005/0070381 A1 * 3/2005 van Nimwegen ... A63B 63/083
473/481
2006/0194653 A1 * 8/2006 Nye A63B 63/083
473/483
2006/0293125 A1 * 12/2006 Nye A63B 63/083
473/483
2007/0072706 A1 * 3/2007 White A63B 63/083
473/481
2007/0191150 A1 * 8/2007 Lu A63B 63/083
473/483
2007/0213147 A1 * 9/2007 Nye A63B 63/083
473/483
2007/0238559 A1 * 10/2007 Nye A63B 63/083
473/481
2008/0081712 A1 * 4/2008 White A63B 71/023
473/481
2015/0148153 A1 * 5/2015 Sims A63B 71/023
473/481
2015/0182831 A1 * 7/2015 Lamascus A63B 63/083
473/483
2016/0303448 A1 * 10/2016 Cornell A63B 63/083
2021/0339102 A1 * 11/2021 Williams B05B 12/002
2021/0388631 A1 * 12/2021 Breton E04H 12/2284
2022/0288475 A1 * 9/2022 Le Cunff A63B 63/083

FOREIGN PATENT DOCUMENTS

CN 306262733 * 1/2021
CN 306298486 * 1/2021
CN 306598030 * 6/2021
CN 305958031 * 7/2021
CN 306973779 * 11/2021
CN 306973794 * 11/2021
CN 306993572 * 12/2021
CN 306993574 * 12/2021
CN 307236380 * 4/2022
CN 307371120 * 5/2022
GB 9008151211-0001 * 9/2020

OTHER PUBLICATIONS

Lifetime 90040 Stand, available on Amazon.com, date first available Jun. 15, 2010, [site visited Aug. 2, 2022], URL: <https://www.amazon.com/Lifetime-90040-Adjustable-Basketball-Backboard/dp/B003TWWVIL6/> (Year: 2010).*

Basketball Backboard, available on cgaxis.com, no date available, [site visited Aug. 2, 2022], URL: <https://cgaxis.com/product/basketball-backboard-3d-model/> (Year: 2022).*

Height-Adjustable Basketball Hoop, available on bestchoiceproducts.com, oldest customer review Sep. 1, 2017, [site visited Aug. 2, 2022], URL: <https://bestchoiceproducts.com/products/kids-height-adjustable-basketball-hoop-portable-backboard-system-w-wheels> (Year: 2017).*

Everfit Adjustable Portable Basketball Stand, available on everfit.com.au, no date available, [site visited Aug. 2, 2022], URL: <https://everfit.com.au/products/adjustable-portable-basketball-stand?variant=33403691794572> (Year: 2022).*

LXLA White Basketball Hoop, available on Amazon.com, no date available, [site visited Aug. 2, 2022], URL: <https://www.amazon.com/LXLA-Basketball-Adjustable-Portable-Backyard/dp/B08M9VP45N/> (Year: 2022).*

Rakon Portable Basketball Stand, available on Amazon.com, date first available Apr. 9, 2020, [site visited Aug. 2, 2022], URL: <https://www.amazon.com/Portable-Adjustable-Basketball-Backboard-Outdoor/dp/B086X2TZ1D/> (Year: 2020).*

Club Court Basketball System, available on bisoninc.com, Wayback Machine date Aug. 5, 2020, [site visited Aug. 2, 2022], URL: <https://web.archive.org/web/20200805155844/https://www.bisoninc.com/product/basketball/indoor-basketball/club-court-acrylic-adjustable-portable-basketball-system/> (Year: 2020).*

* cited by examiner

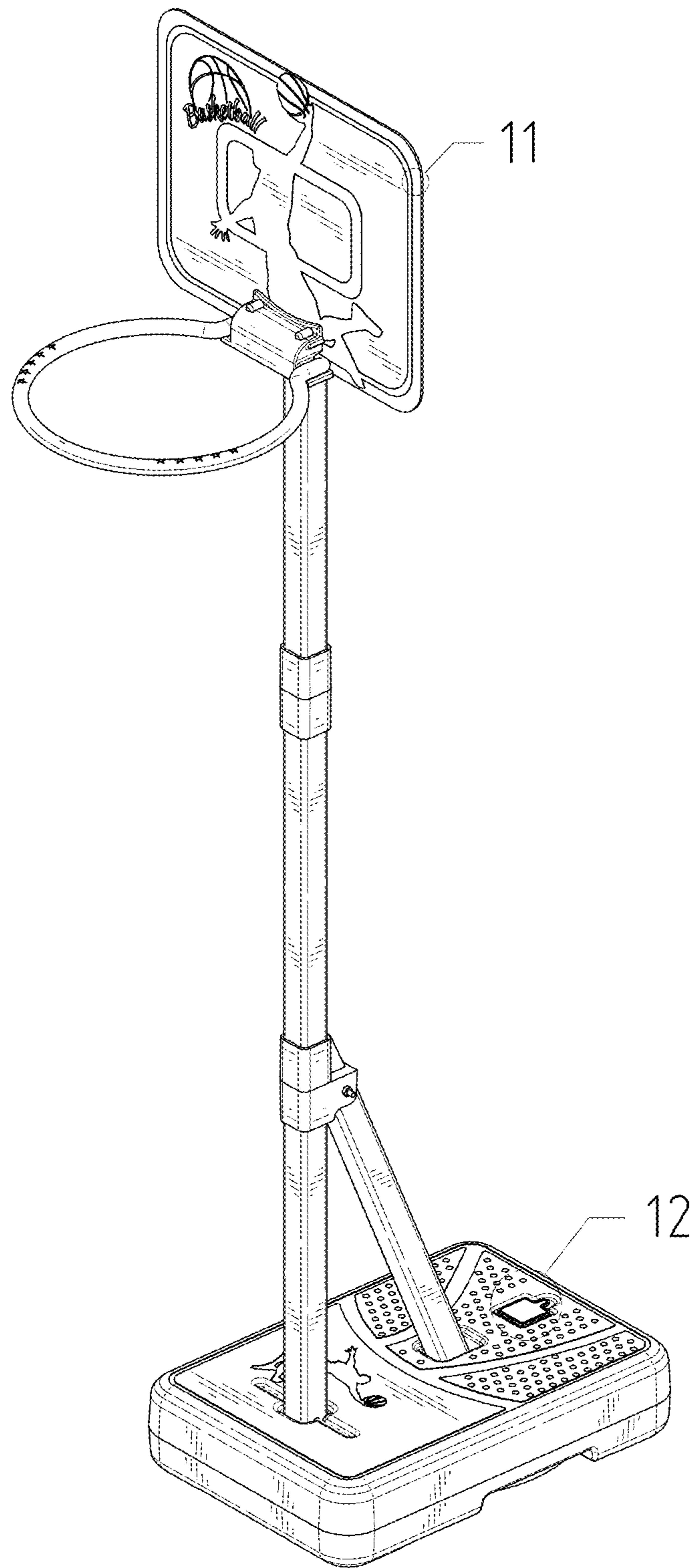


FIG. 1

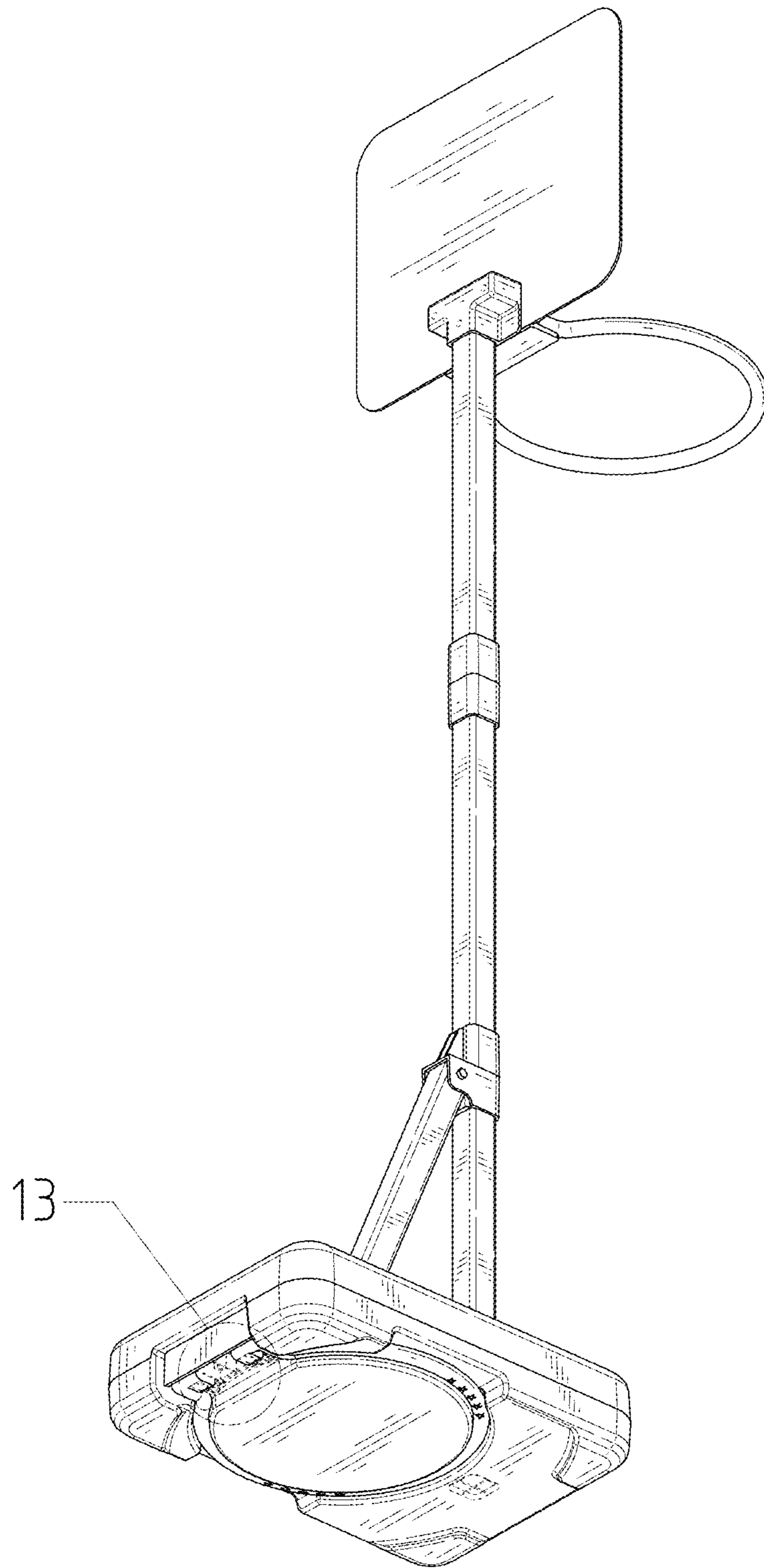


FIG. 2

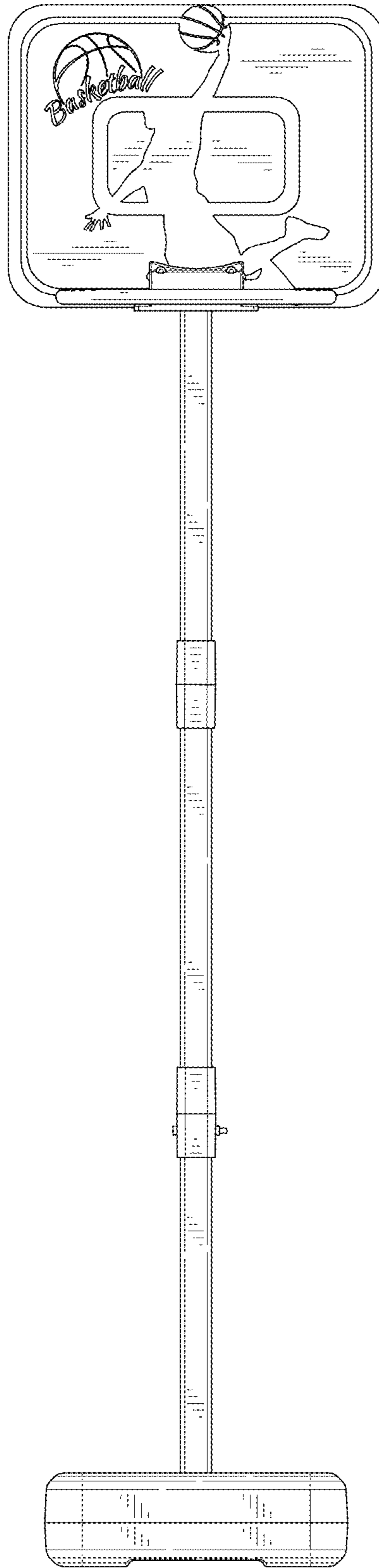


FIG. 3

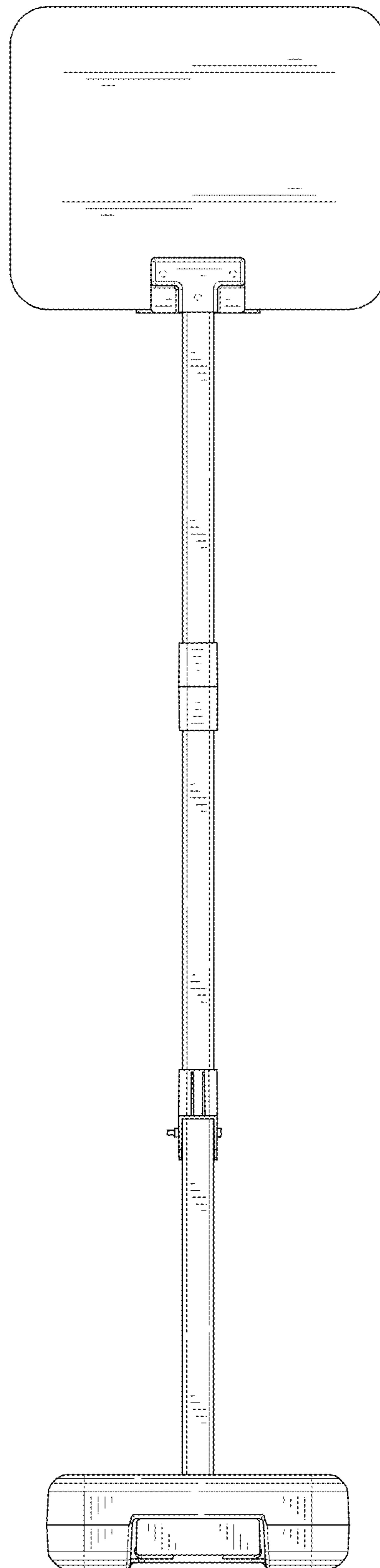


FIG. 4

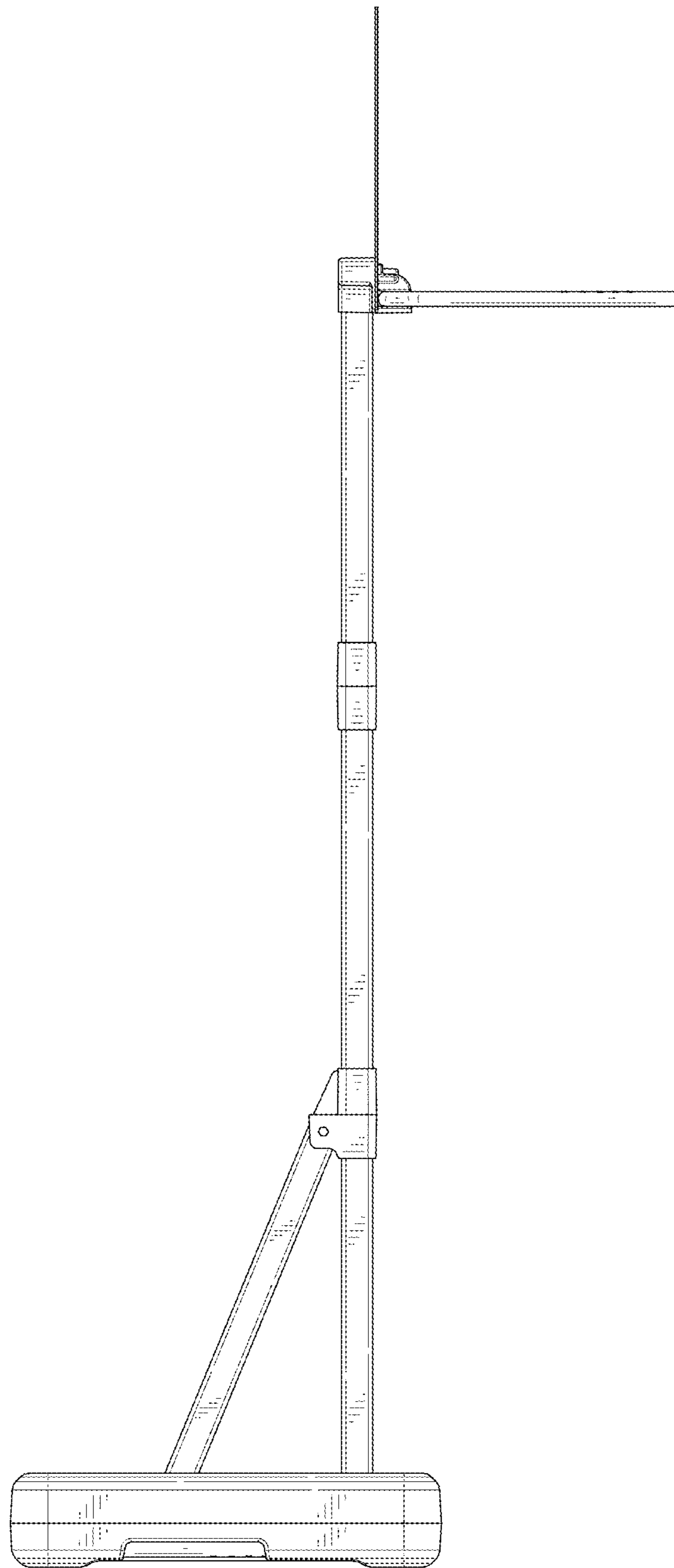


FIG. 5

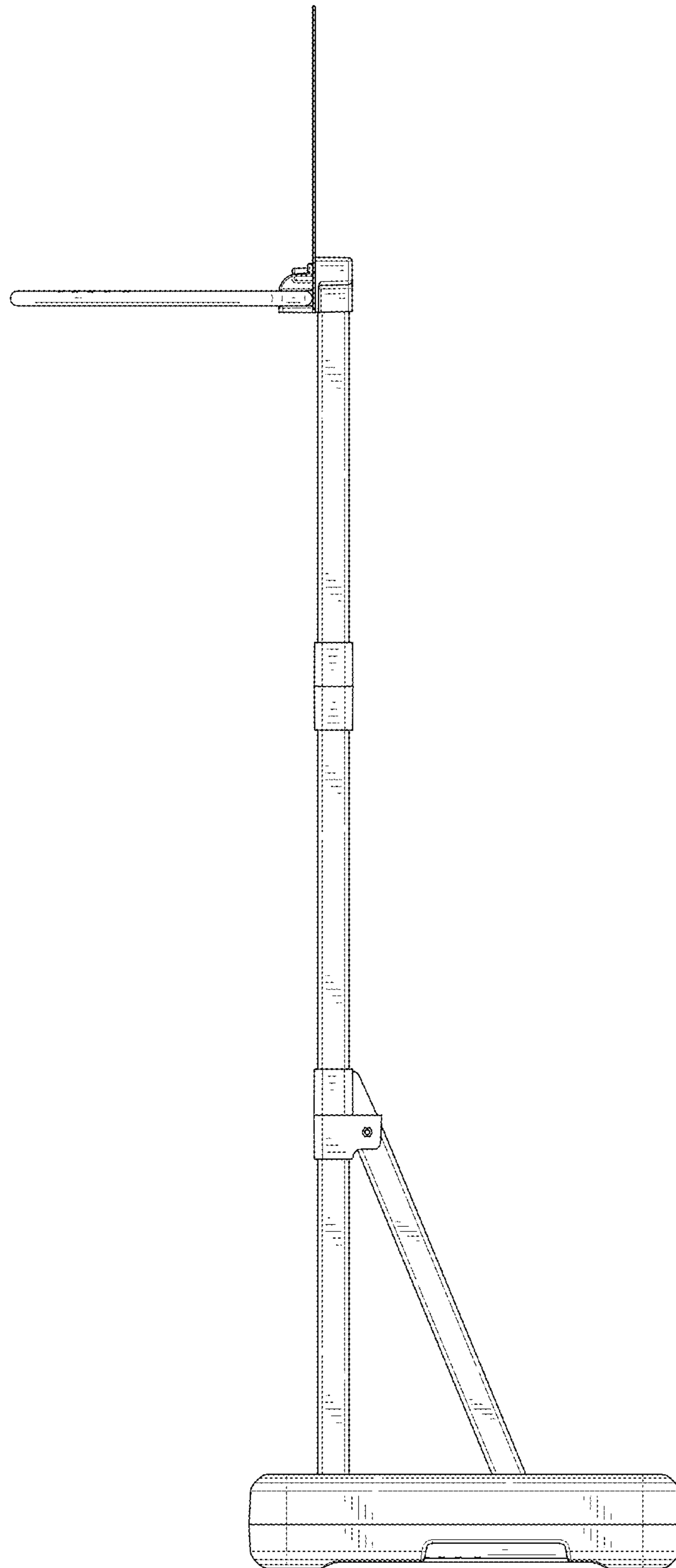


FIG. 6

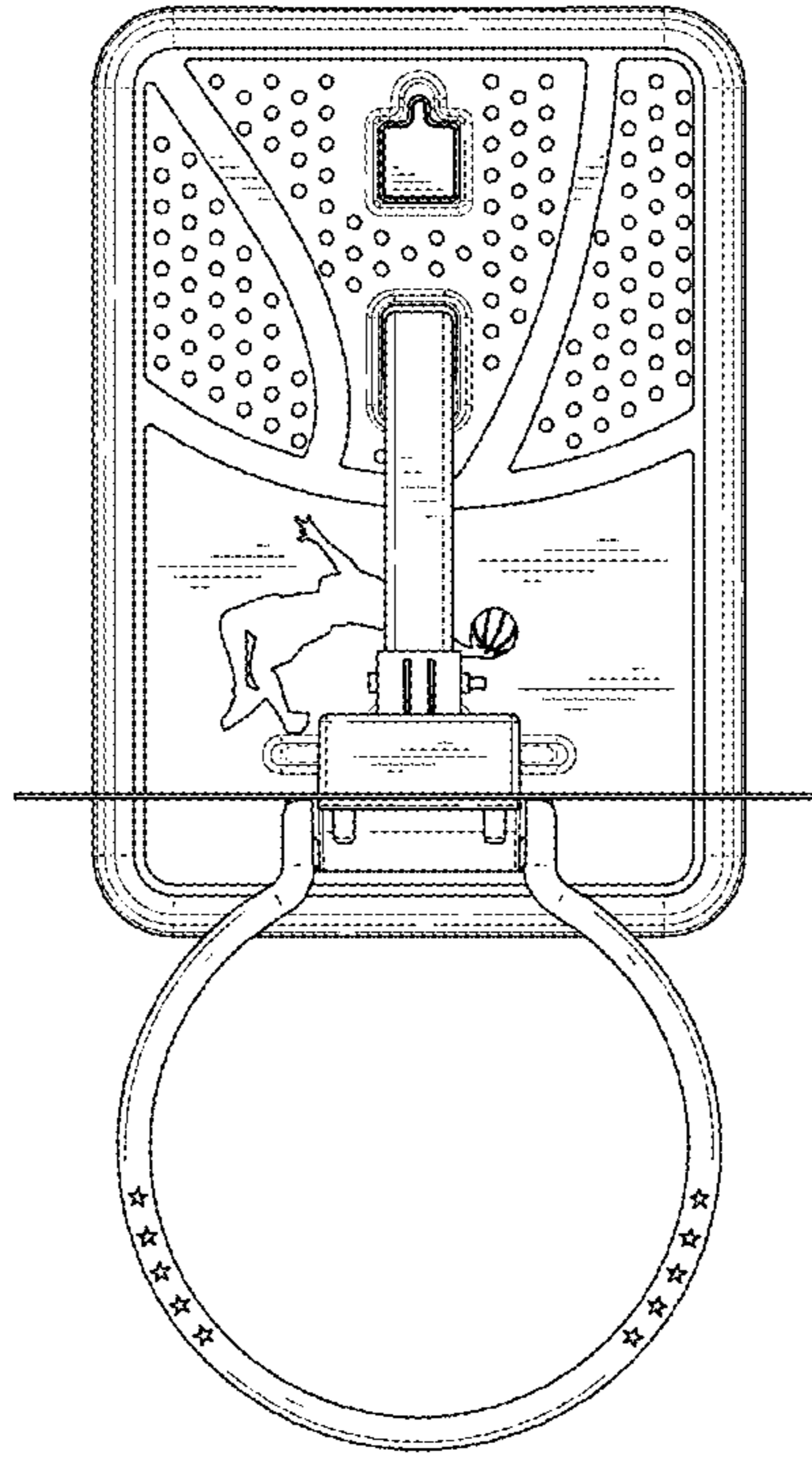


FIG. 7

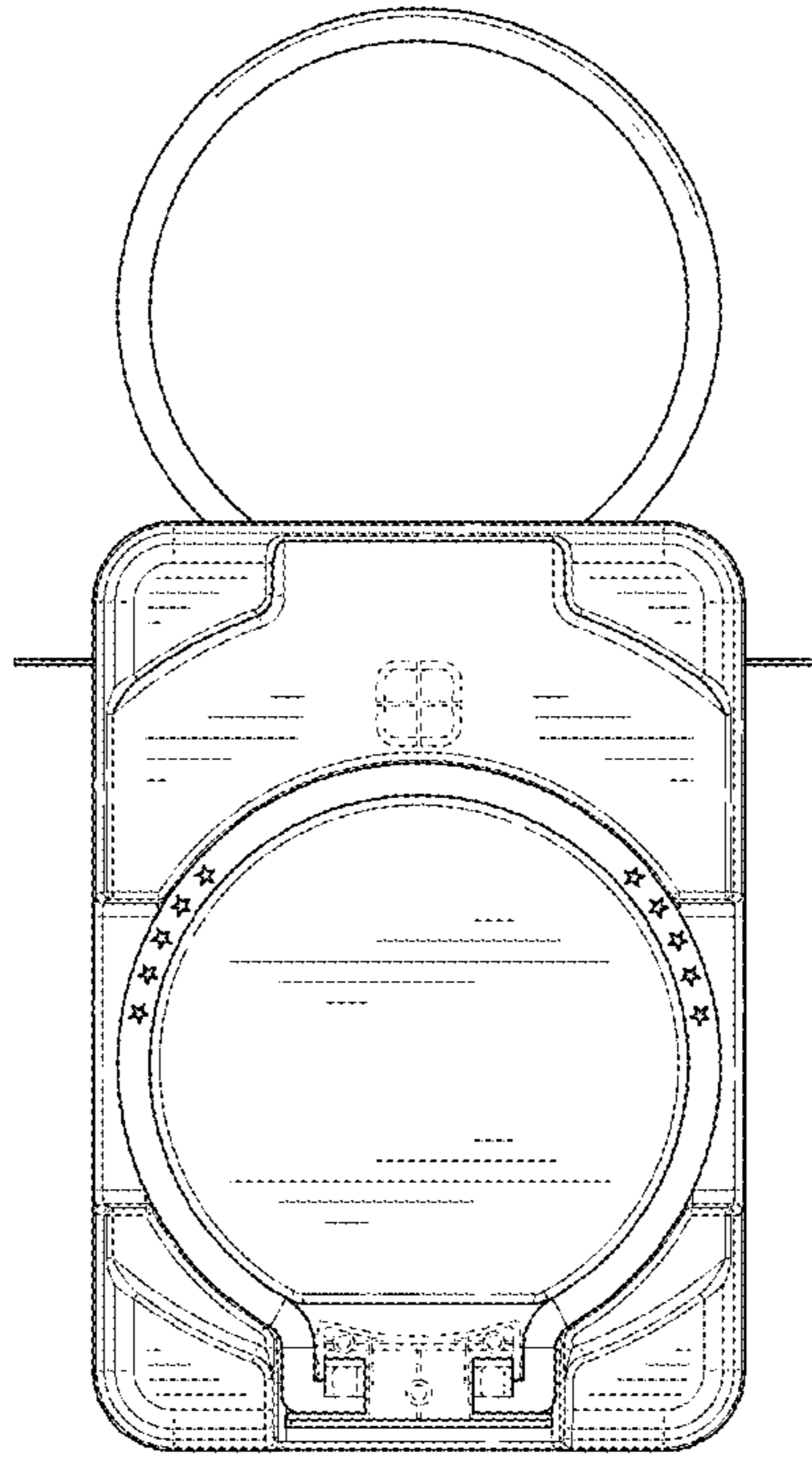


FIG. 8

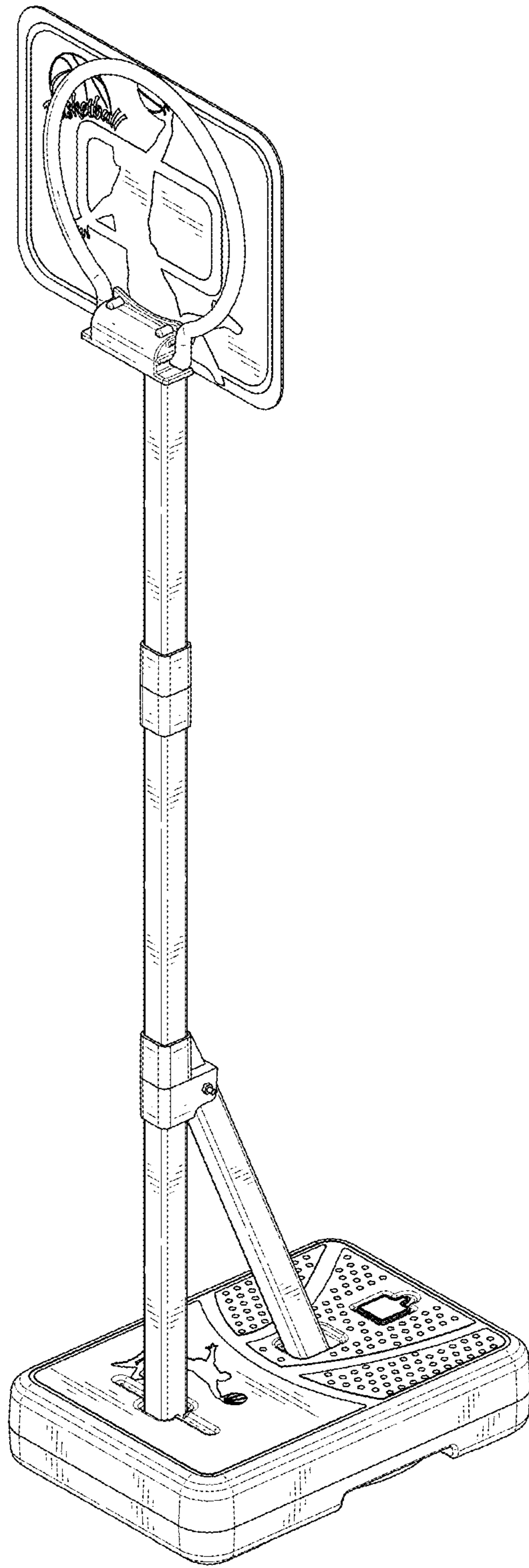


FIG. 9

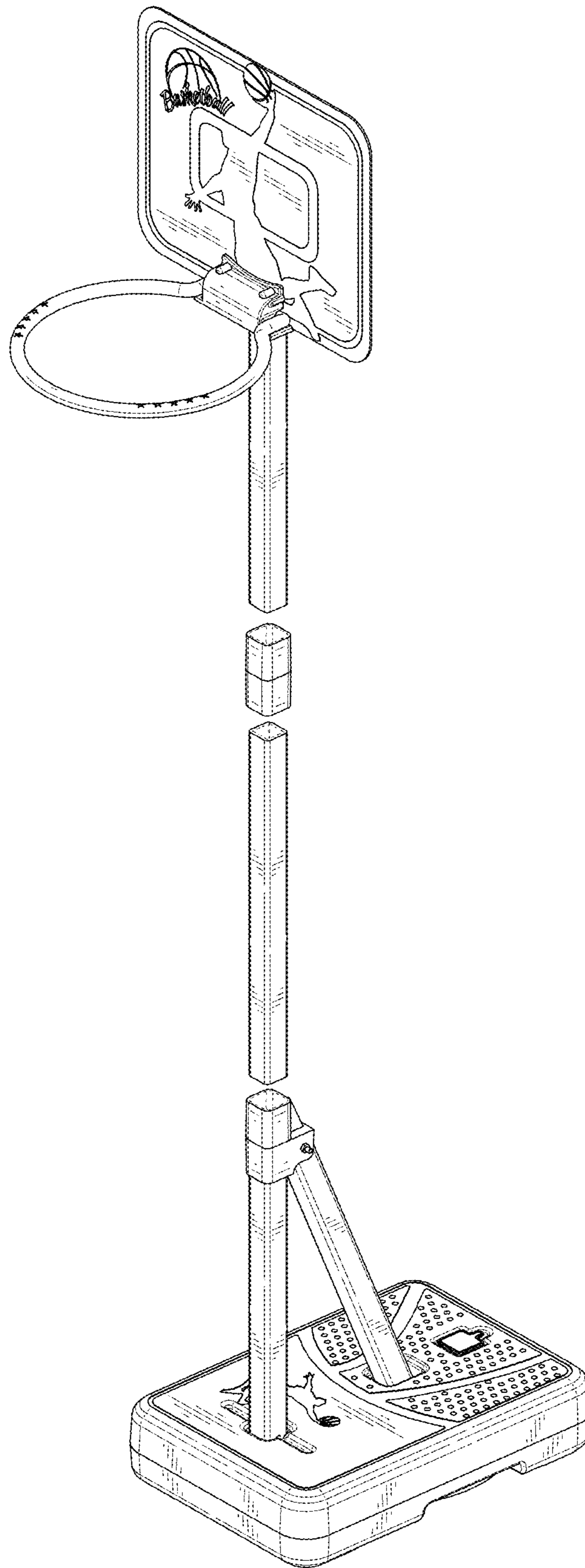


FIG. 10

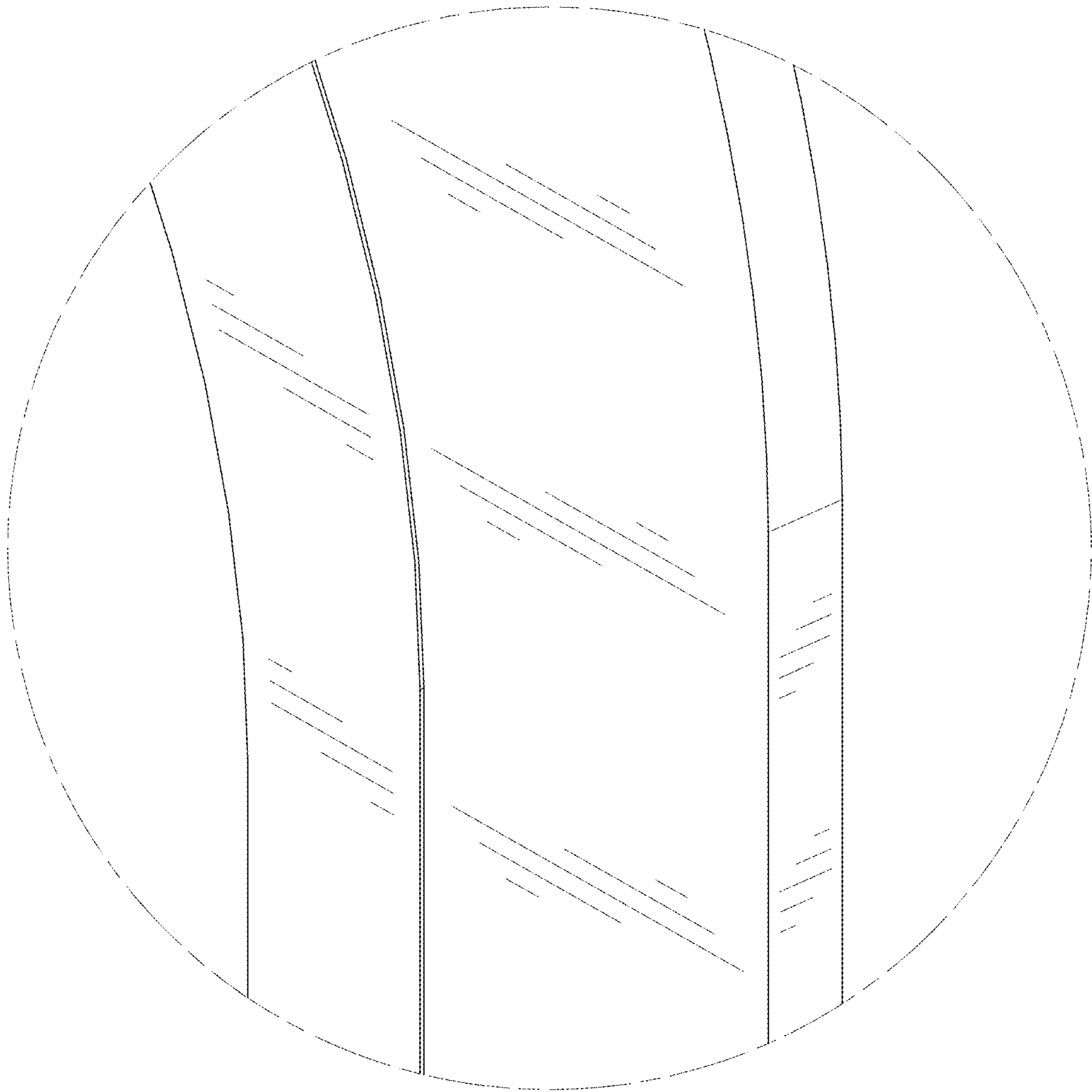


FIG. 11

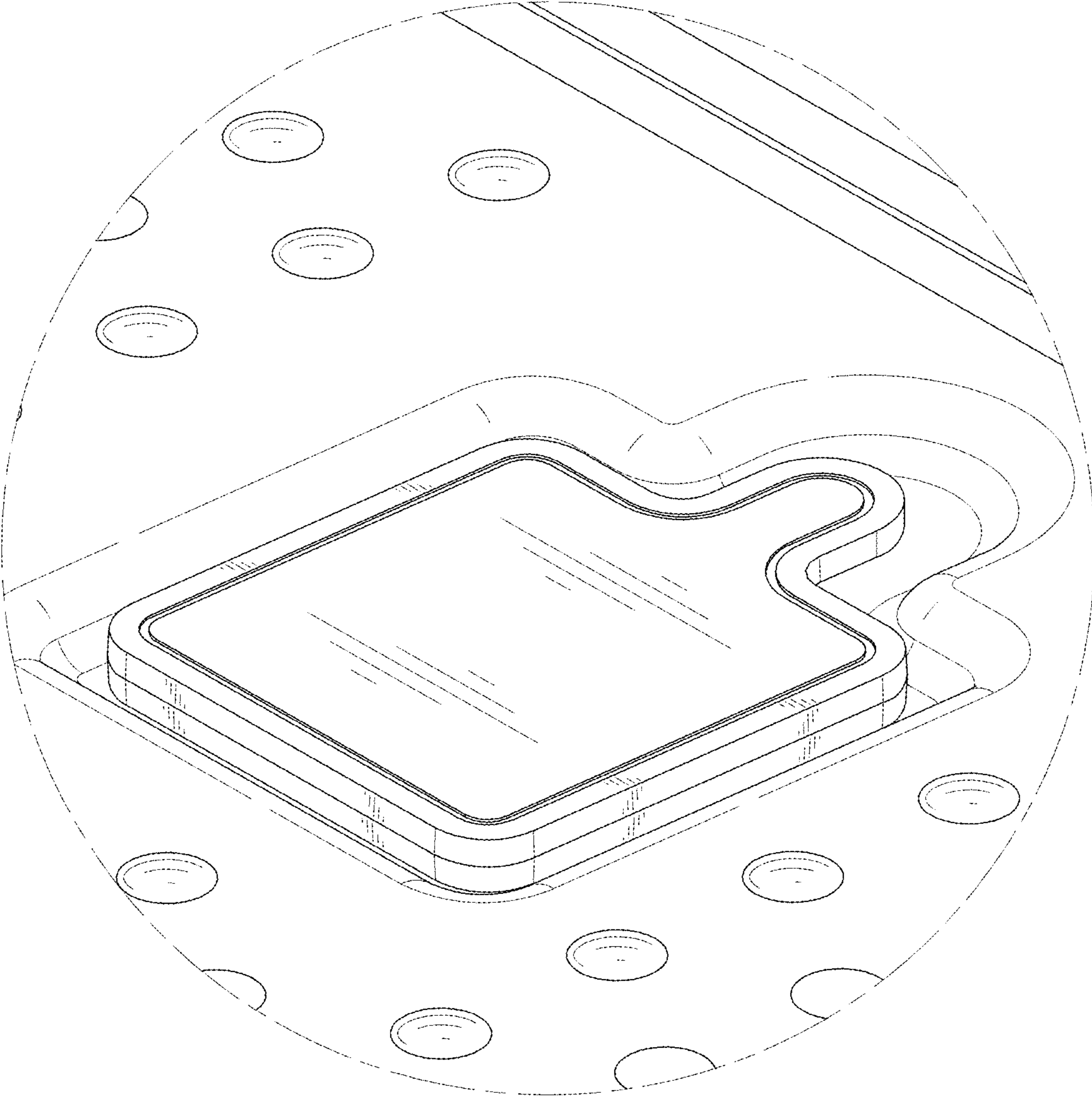


FIG. 12

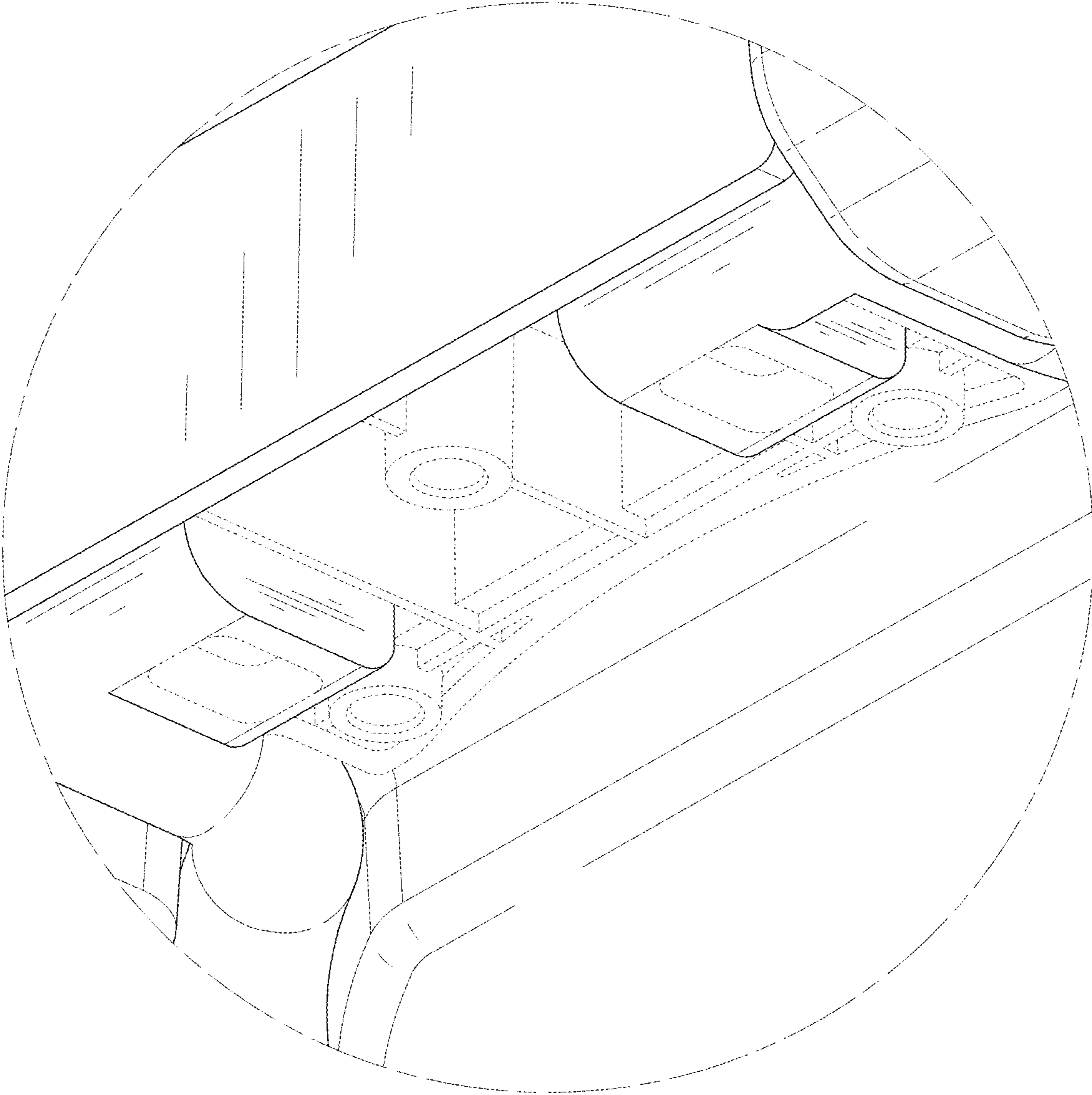


FIG. 13