



US00D977598S

(12) **United States Design Patent** (10) **Patent No.:** **US D977,598 S**
Wu (45) **Date of Patent:** **** Feb. 7, 2023**

(54) **SPINNING BIKE**

FOREIGN PATENT DOCUMENTS

(71) Applicant: **Shanghai Wenjia Industrial Co., Ltd,**
Shanghai (CN)

EM 1795188 A1 * 12/2010
EM 8444095 A1 * 2/2021
(Continued)

(72) Inventor: **Leilei Wu,** Shanghai (CN)

OTHER PUBLICATIONS

(73) Assignee: **Shanghai Wenjia Industrial Co., Ltd,**
Shanghai (CN)

OVICX Magnetic Stationary Bike, first available Sep. 7, 2020, amazon.com [online], site visited Jul. 24, 2021], Available from internet URL: <https://amzn.to/3zzKfoO> (Year: 2020).*
(Continued)

(**) Term: **15 Years**

(21) Appl. No.: **29/736,115**

Primary Examiner — Jack Reickel
Assistant Examiner — Salamah Jordan
(74) *Attorney, Agent, or Firm* — JCIP Global Inc.

(22) Filed: **May 28, 2020**

(51) **LOC (14) Cl.** **21-02**

(52) **U.S. Cl.**

USPC **D21/663**

(58) **Field of Classification Search**

USPC D21/662, 663, 664, 694, 698; D12/111
CPC A63B 2225/50; A63B 22/0605; A63B
71/0622

See application file for complete search history.

(57) **CLAIM**

The ornamental design for a spinning bike, as shown and described.

DESCRIPTION

FIG. 1 is a perspective view of a spinning bike showing my new design;
FIG. 2 is a front view thereof;
FIG. 3 is a rear view thereof;
FIG. 4 is a left side view thereof;
FIG. 5 is a right side view thereof;
FIG. 6 is a top view thereof;
FIG. 7 is a bottom view thereof;
FIG. 8 is an enlarged view of portion 8 shown in FIG. 1;
FIG. 9 is an enlarged view of portion 9 shown in FIG. 1;
FIG. 10 is an enlarged view of portion 10 shown in FIG. 2;
and,
FIG. 11 is an enlarged view of portion 11 shown in FIG. 2.
The dash-dash broken lines in the figures illustrate portions of the spinning bike that form no part of the claimed design. The dot-dash broken lines represent boundaries of the enlarged portions and form no part of the claimed design.

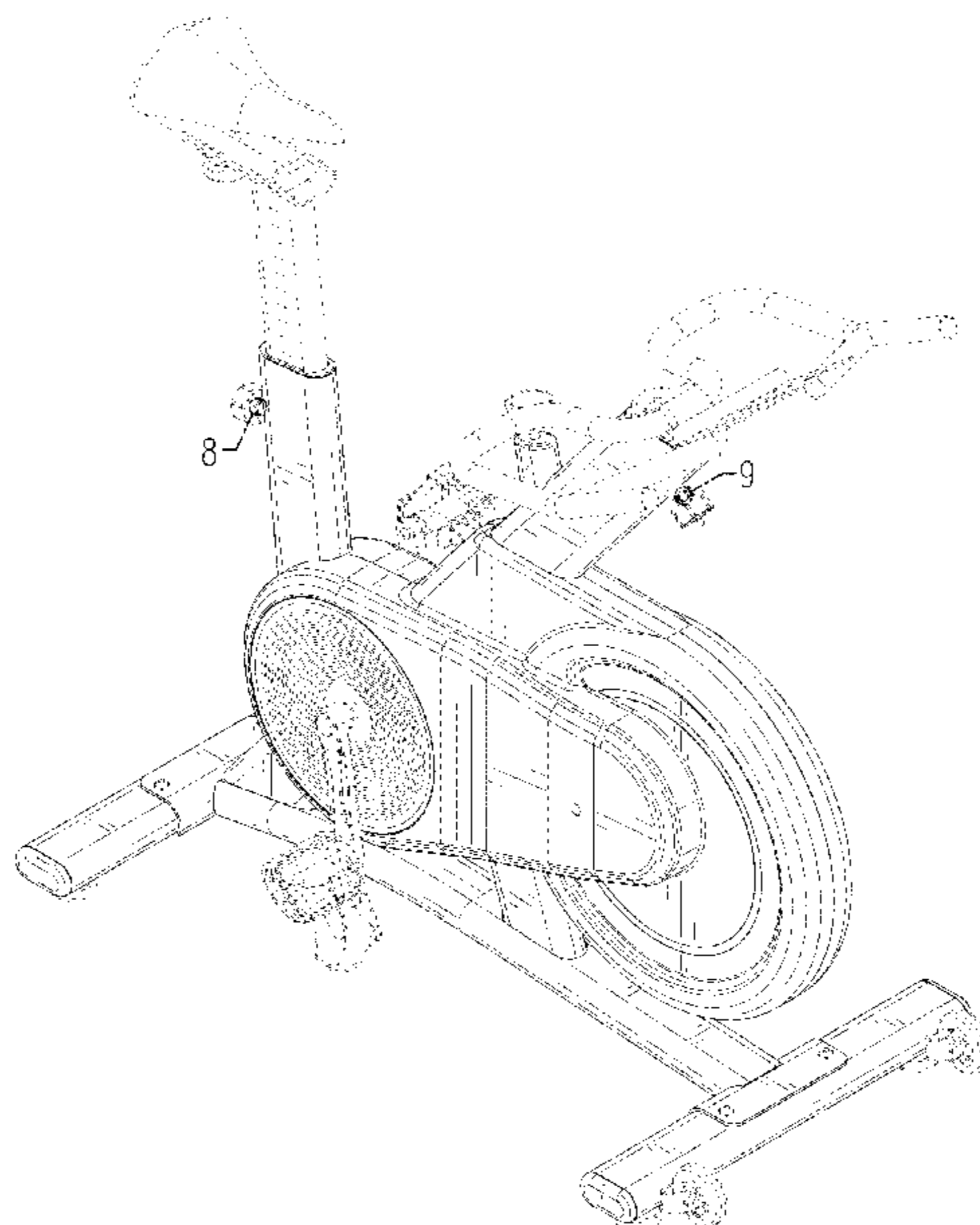
(56) **References Cited**

U.S. PATENT DOCUMENTS

D526,031 S *	8/2006	Corbalis	D21/663
D561,276 S *	2/2008	Bingham, Jr.	D21/697
D616,050 S *	5/2010	Lull	D21/667
D624,612 S *	9/2010	Watt	D21/667
D636,181 S *	4/2011	Molina	D3/282
D636,449 S *	4/2011	Wu	D21/667
D649,203 S *	11/2011	Zhang	D21/667
D649,204 S *	11/2011	Zhang	D21/667
D656,566 S *	3/2012	Decommer	D21/667
D675,687 S *	2/2013	Fischer	D21/663
D676,508 S *	2/2013	Wu	D21/667
D677,349 S *	3/2013	Baudhuin	D21/667
D677,350 S *	3/2013	Goldberg	D21/667

(Continued)

1 Claim, 10 Drawing Sheets



(56)

References Cited

U.S. PATENT DOCUMENTS

D677,746 S * 3/2013 Baudhuin D21/667
 D682,371 S * 5/2013 Baudhuin D21/667
 D682,954 S * 5/2013 Cornejo D21/667
 D684,223 S * 6/2013 Cornejo D21/667
 8,585,561 B2 * 11/2013 Watt A63B 21/0051
 D709,566 S * 7/2014 Baudhuin D21/667
 D791,252 S * 7/2017 Pürschel D21/667
 D794,724 S * 8/2017 Tasca D21/663
 D797,213 S * 9/2017 Golesh D21/663
 D836,733 S * 12/2018 Curbbun D21/667
 D852,905 S * 7/2019 Flick D21/667
 D860,339 S * 9/2019 Sun D21/667
 D909,497 S * 2/2021 Goldberg D21/667
 D931,956 S * 9/2021 Cai D21/688
 D936,760 S * 11/2021 Sun D21/663
 2011/0111923 A1 * 5/2011 Bacanovic A63B 24/00
 482/8

FOREIGN PATENT DOCUMENTS

EM 8583728 A1 * 6/2021
 EM 8609952 A1 * 12/2021

OTHER PUBLICATIONS

Spin Exercise Bikes, first available Apr. 22, 2021, amazon.com [online], site visited Jul. 24, 2021], Available from internet URL: <https://amzn.to/3iSB8ca> (Year: 2021).*

2021 Updated Indoor Cycling Bike, first available Jan. 13, 2021, amazon.com [online], site visited Jul. 24, 2021], Available from internet URL: <https://amzn.to/3i4qvm> (Year: 2021).*

Cycool Exercise Bike Stationary Bike , first available Dec. 9, 2020, amazon.com [online], site visited Jul. 24, 2021], Available from internet URL: <https://amzn.to/3iQQfmp> (Year: 2020).*

“YOSUDA Indoor Cycling Bike Stationary Bike” May 17, 2018, Amazon, site visited Jun. 27, 2022: <https://amzn.to/3ylJzpc> (Year: 2018).*

“CYCLACE Exercise Bike Review” Feb. 25, 2021, Youtube, site visited Jun. 27, 2022: https://www.youtube.com/watch?v=nDS_sHvKM-8 (Year: 2021).*

“VIGBODY Stationary Exercise Bike” May 6, 2020, Amazon, site visited Jun. 27, 2022: <https://amzn.to/3ylbolm> (Year: 2020).*

“Echelon Connect Sport Review” Sep. 4, 2020, Youtube, site visited Sep. 28, 2022: <https://www.youtube.com/watch?v=mGli1yXVC7c> (Year: 2020).*

“JOROTO” Dec. 20, 2018, Youtube, site visited Sep. 28, 2022: <https://www.youtube.com/watch?v=IdFM8-dS2yA> (Year: 2018).*

* cited by examiner

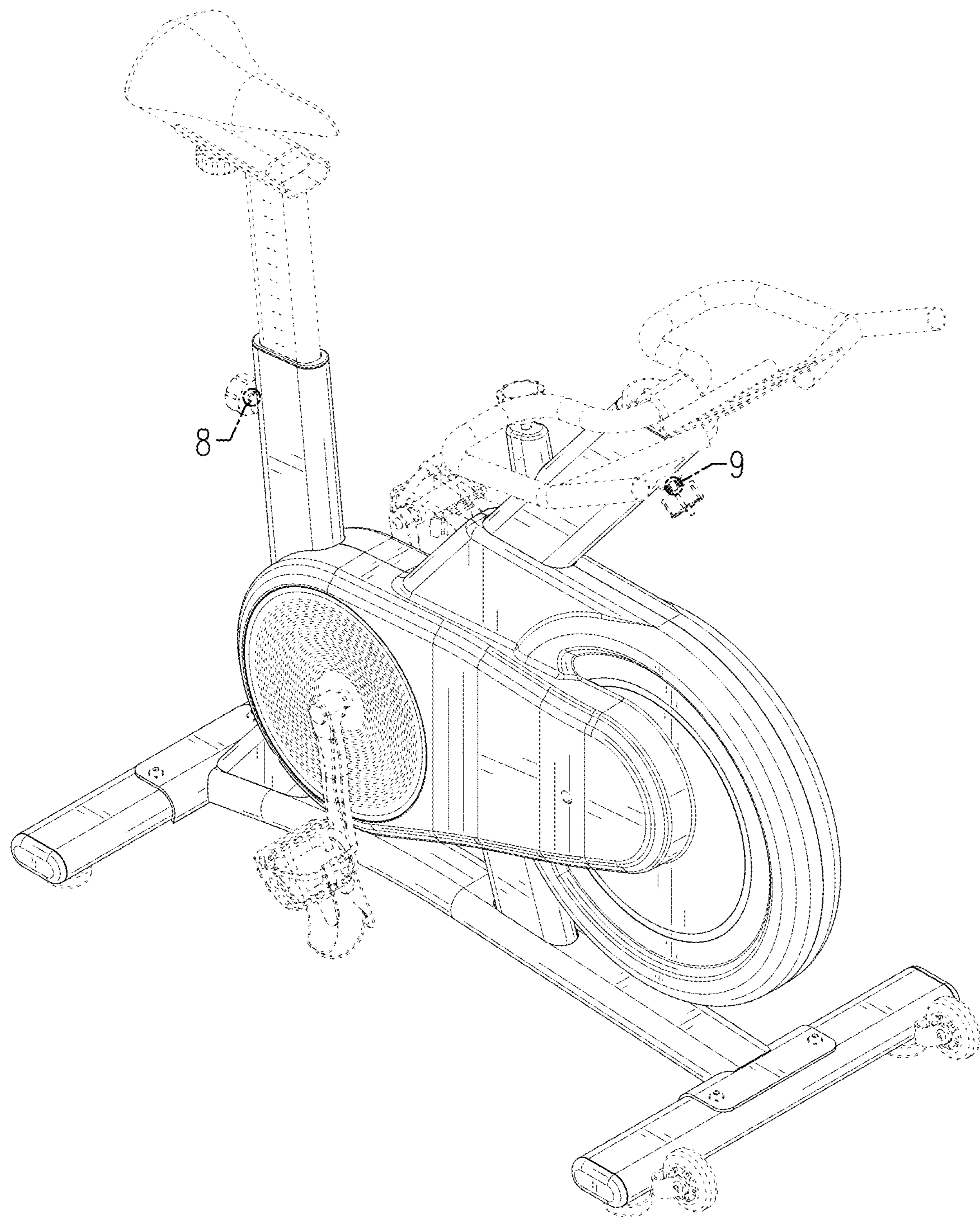


FIG. 1

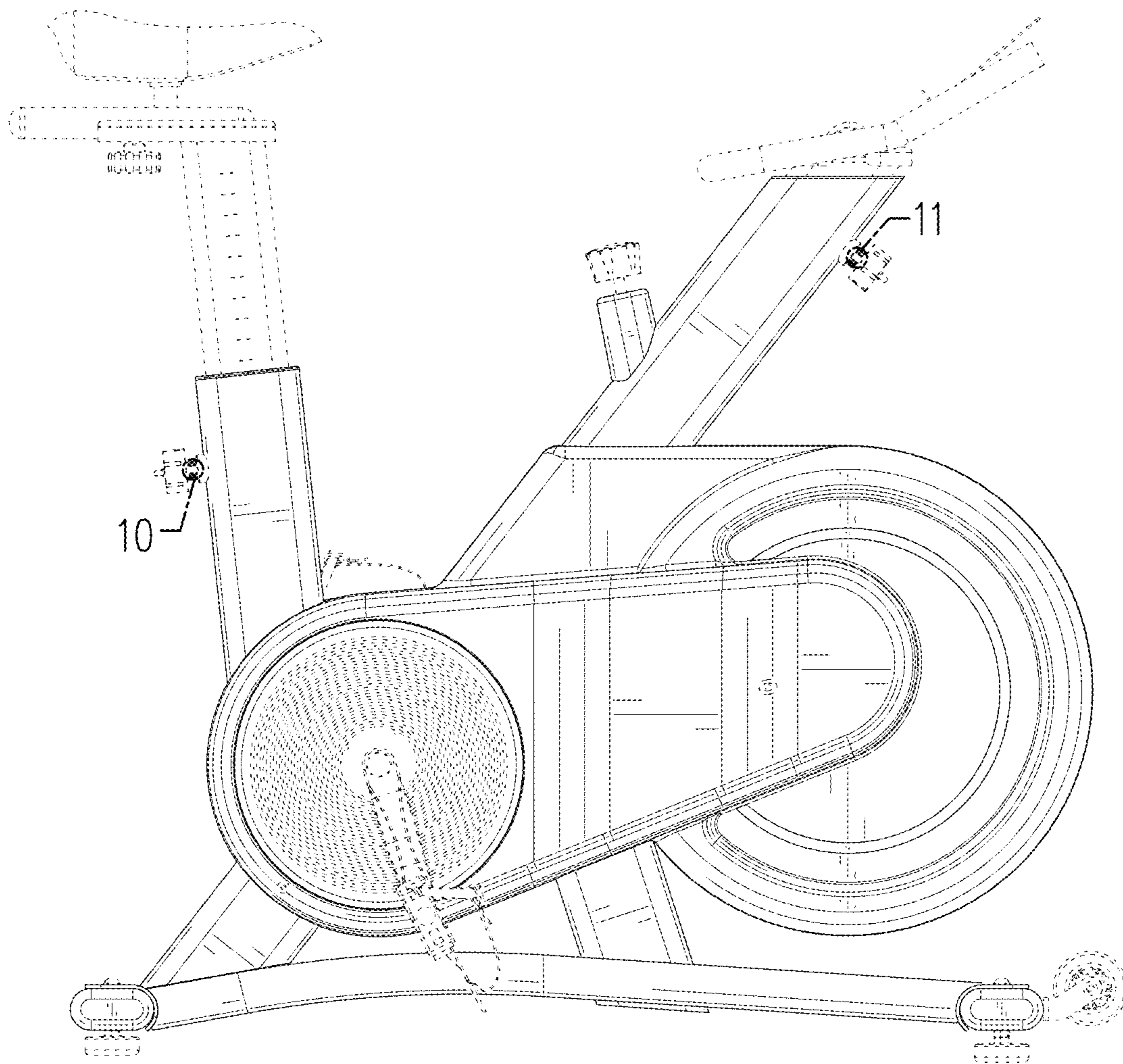


FIG. 2

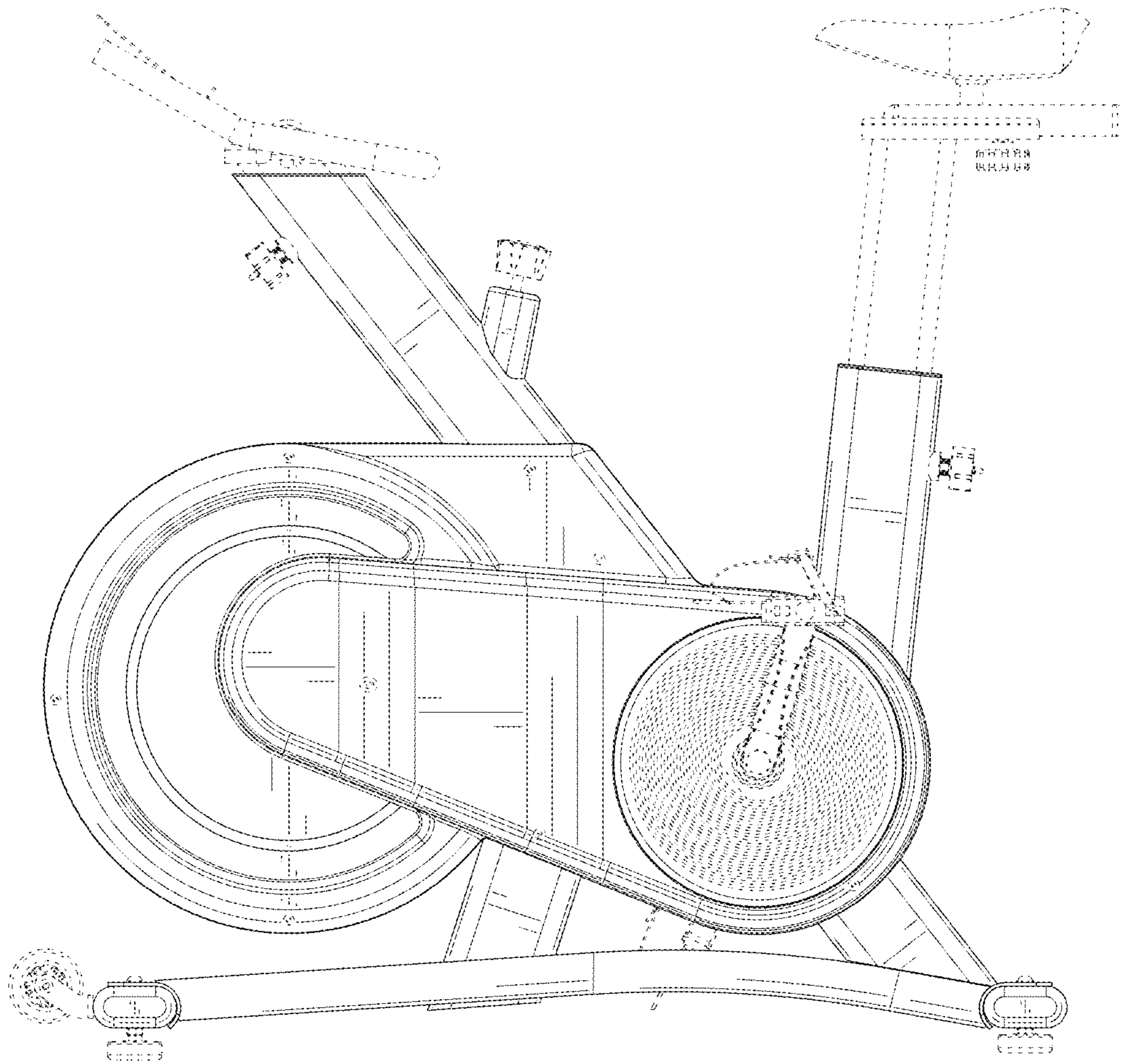


FIG. 3

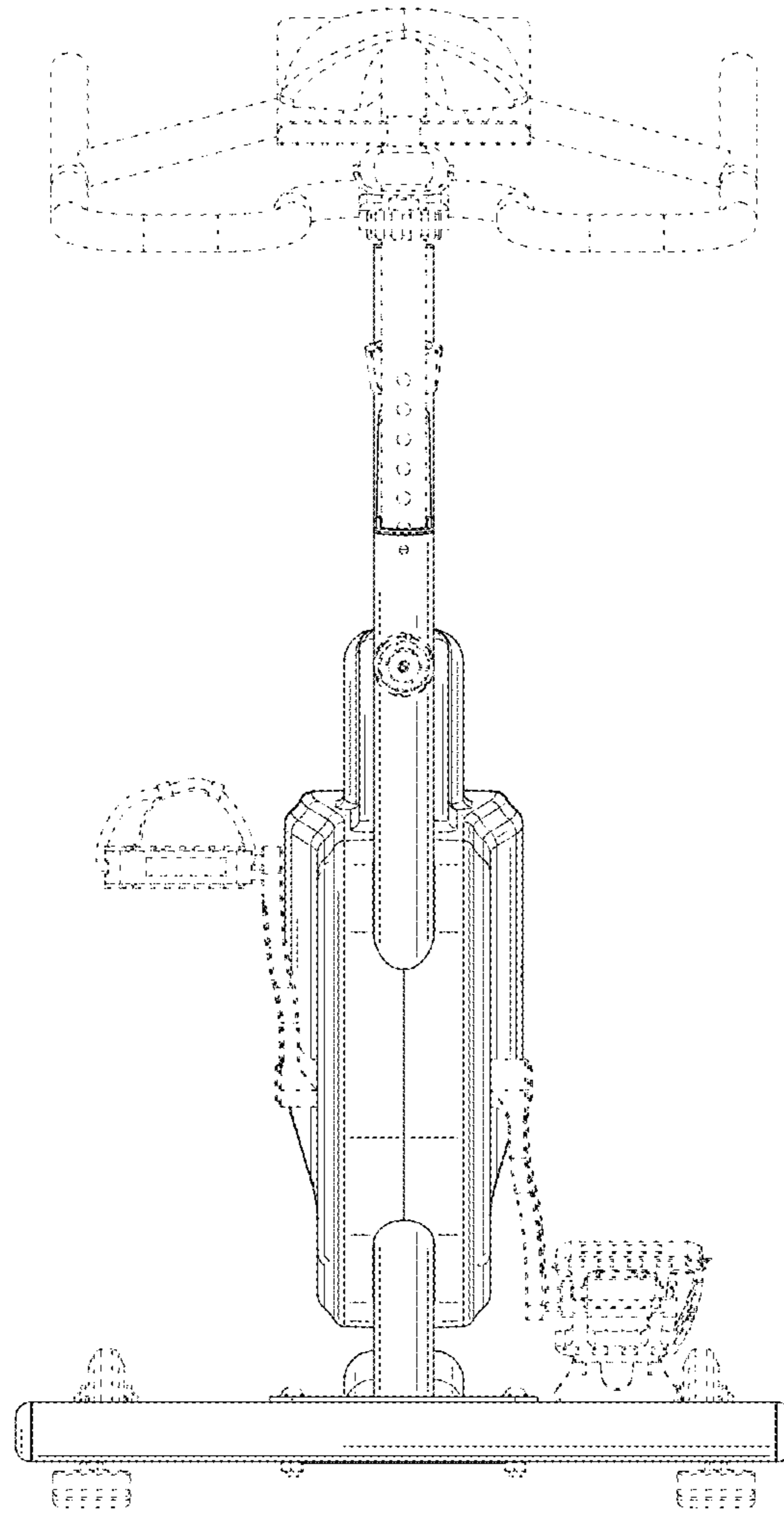


FIG. 4

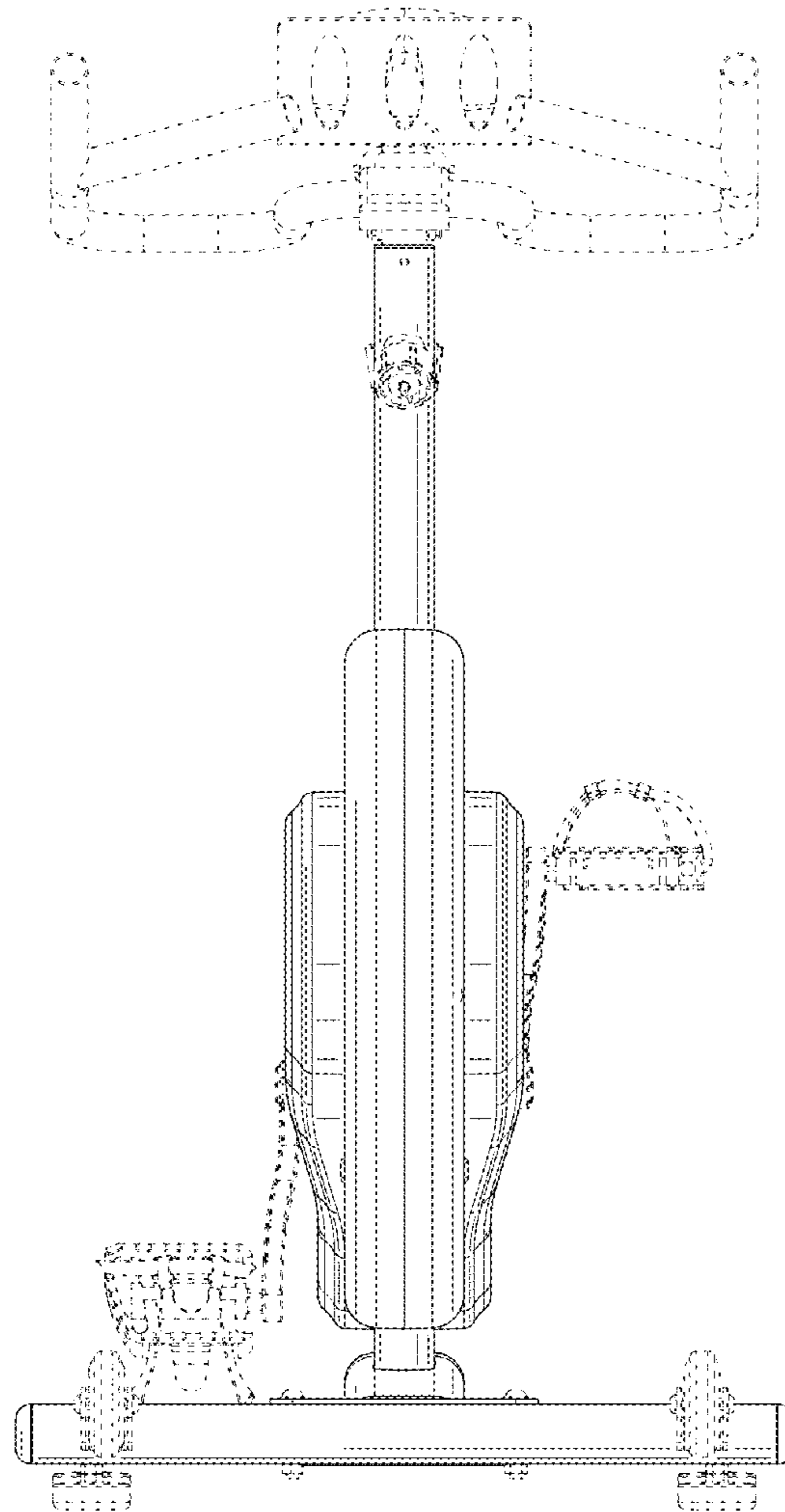


FIG. 5

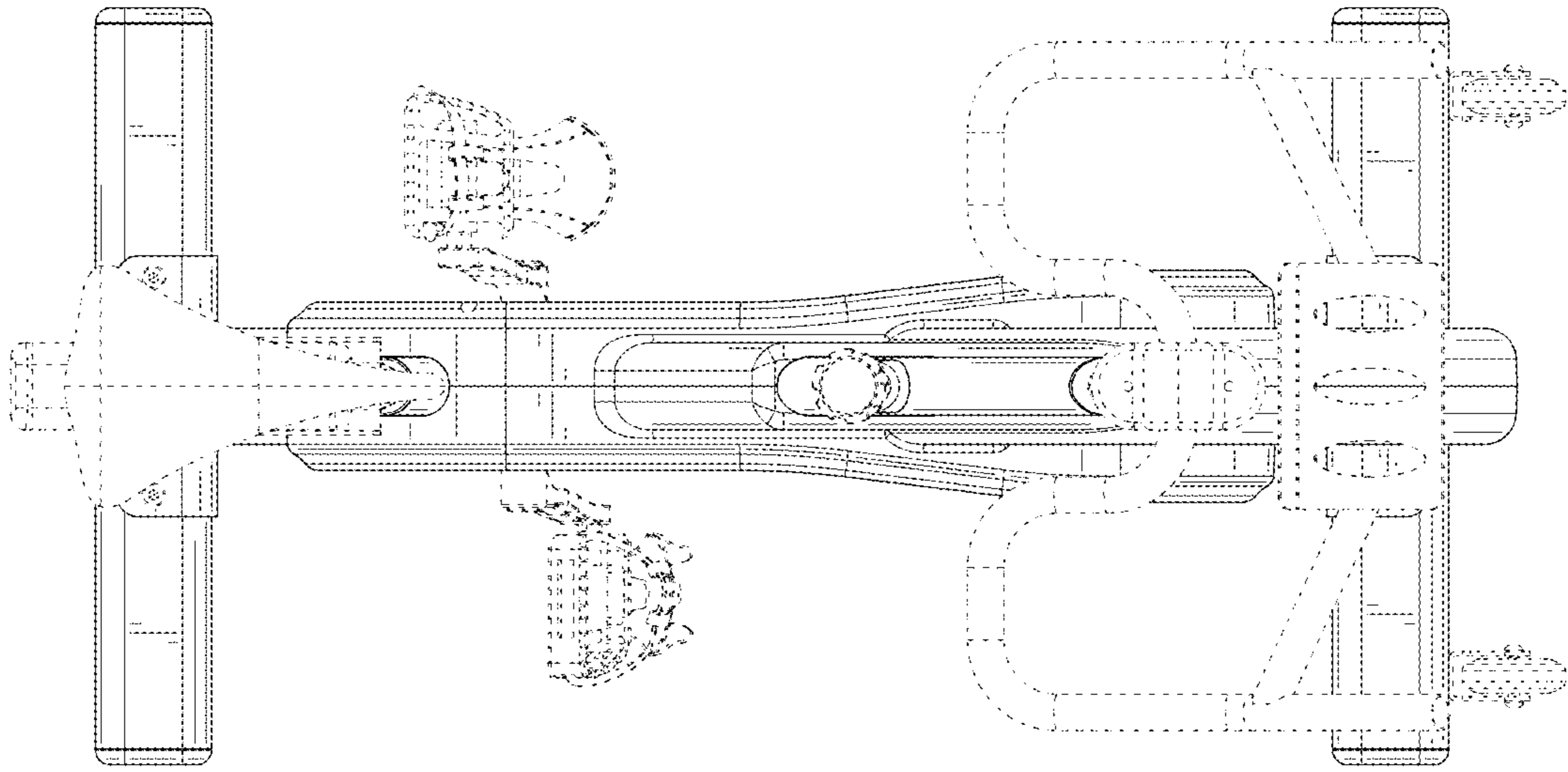


FIG. 6

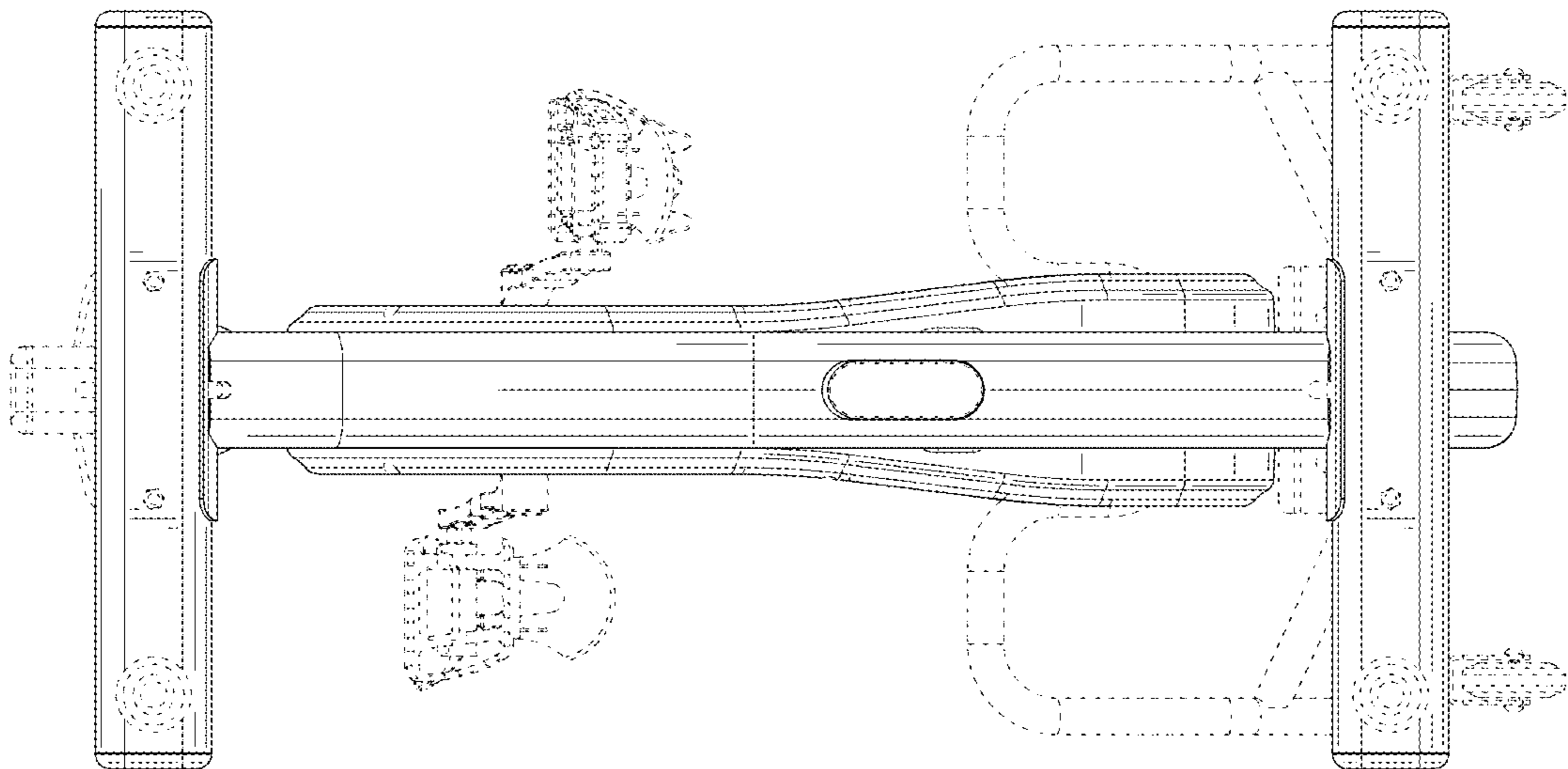


FIG. 7

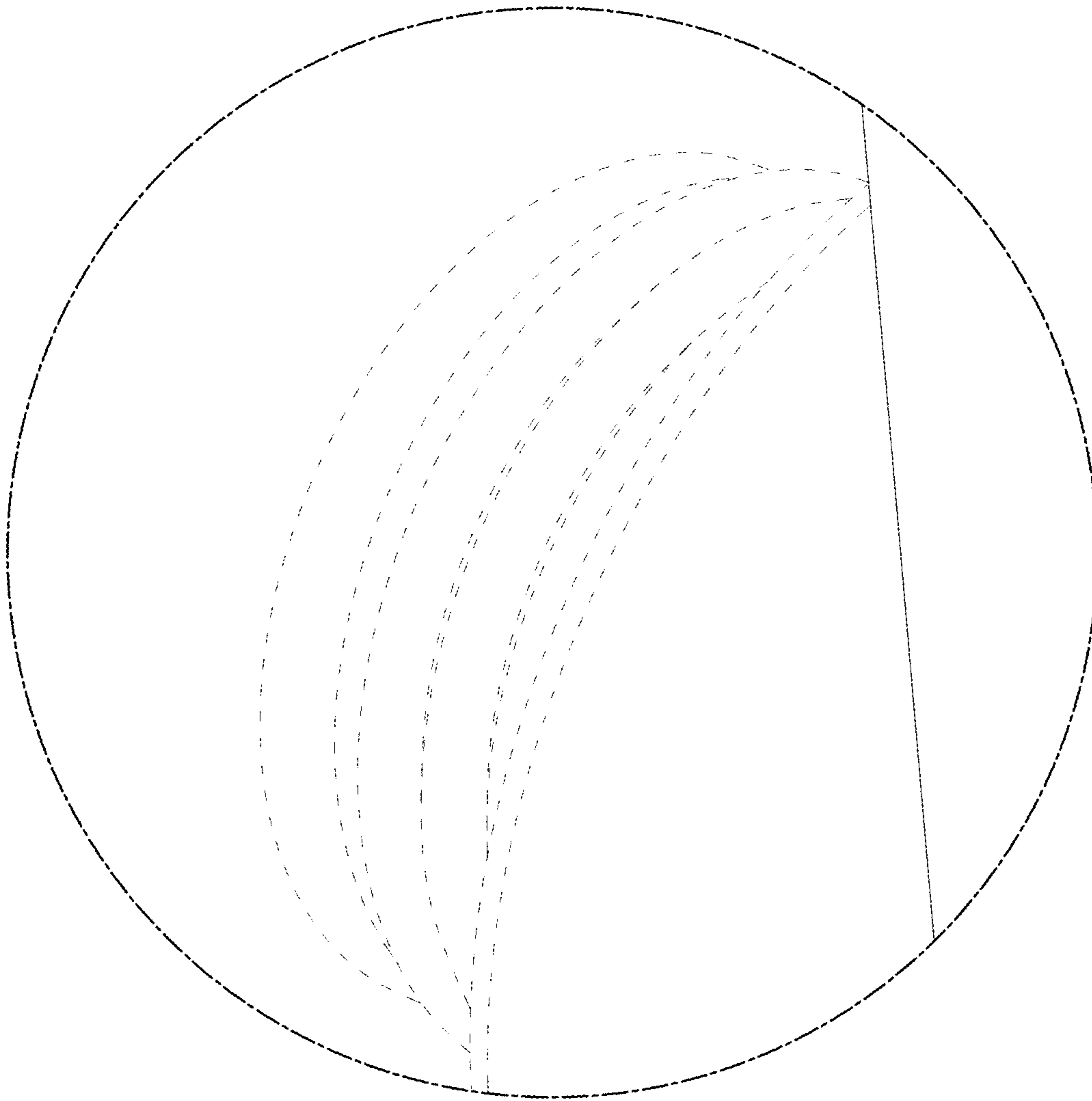


FIG. 8

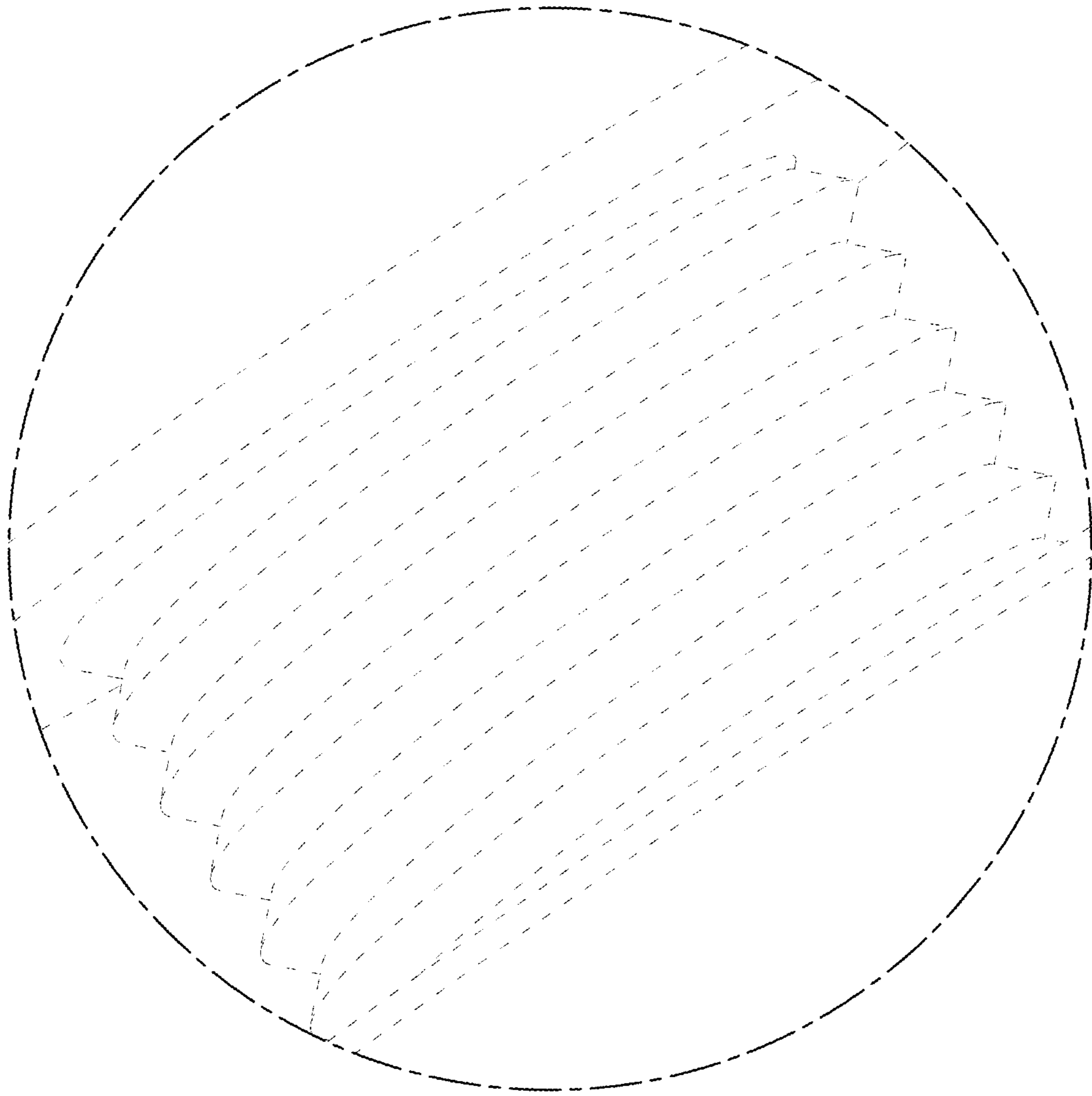


FIG. 9

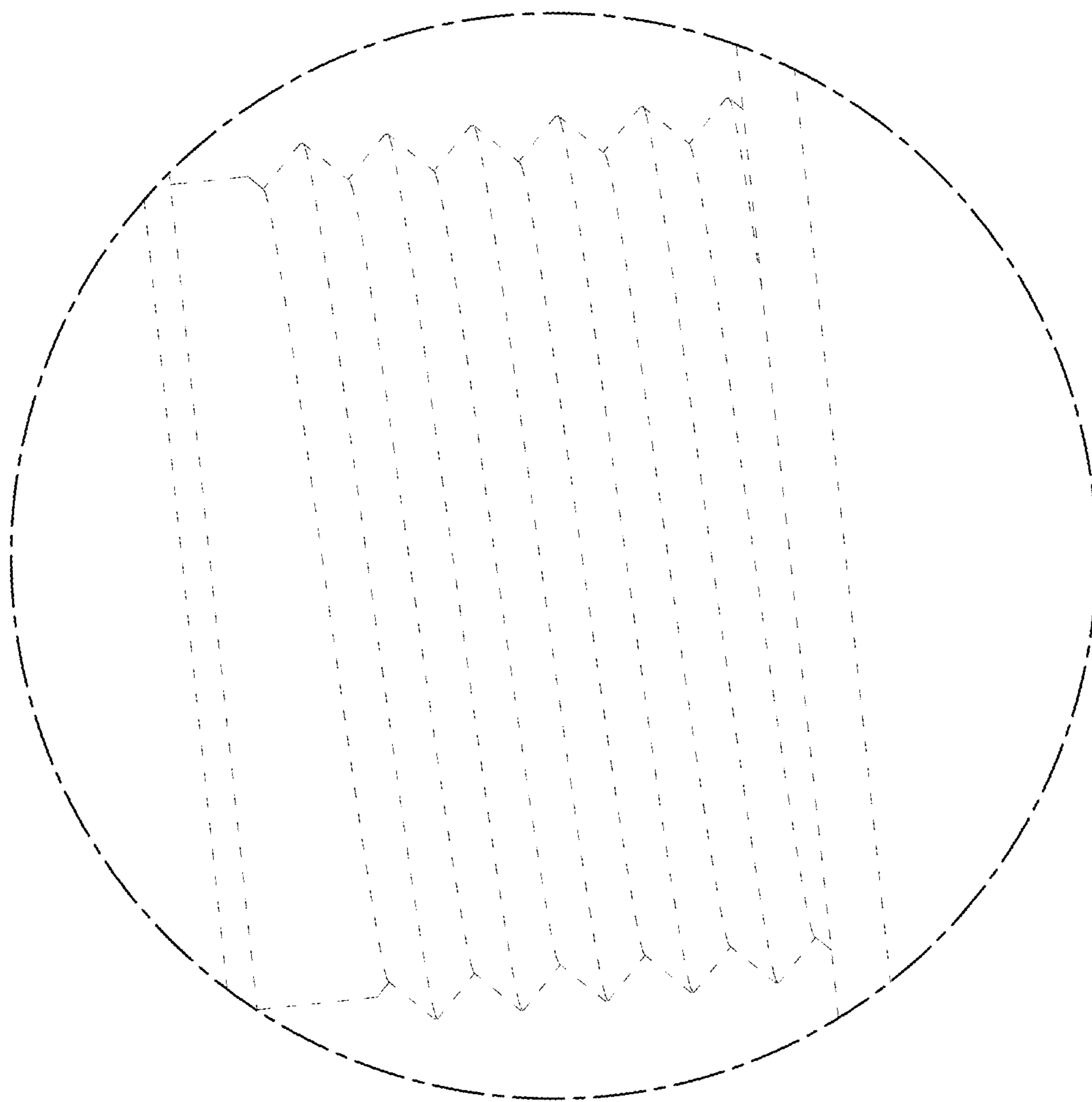


FIG. 10

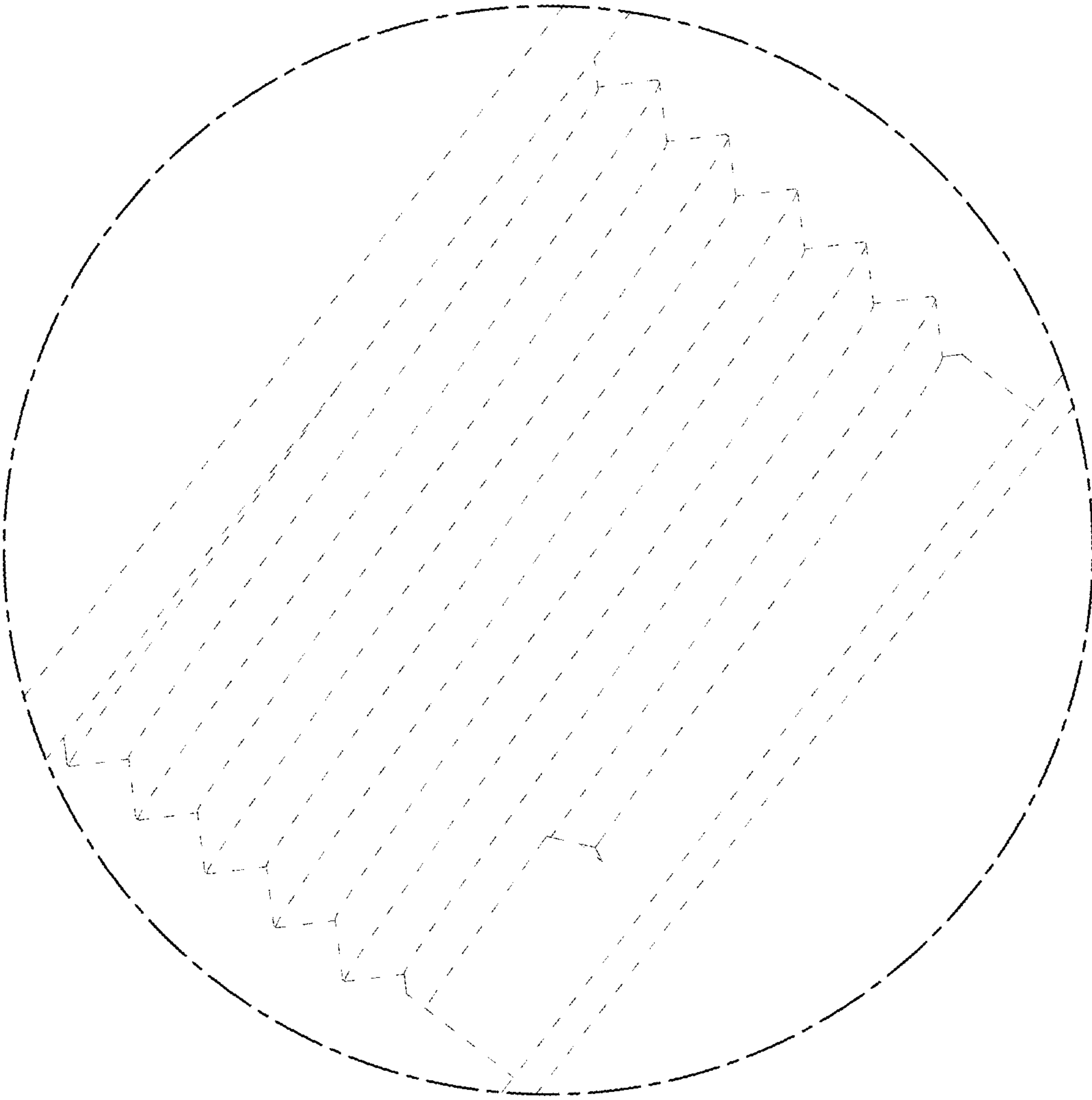


FIG. 11