



US00D977594S

(12) **United States Design Patent**  
**Chen**

(10) **Patent No.:** **US D977,594 S**

(45) **Date of Patent:** **\*\* Feb. 7, 2023**

(54) **TOY WATER GUN**

(71) Applicant: **Yongkang Star Diamond Industry and Trade Co., Ltd.**, Jinhua (CN)

(72) Inventor: **Zhifang Chen**, Jinhua (CN)

(73) Assignee: **Yongkang Star Diamond Industry and Trade Co., Ltd.**, Jinhua (CN)

(\*\*) Term: **15 Years**

(21) Appl. No.: **29/847,003**

(22) Filed: **Jul. 20, 2022**

(30) **Foreign Application Priority Data**

Apr. 12, 2022 (CN) ..... 202230203935.5

(51) **LOC (14) Cl.** ..... **21-01**

(52) **U.S. Cl.**  
USPC ..... **D21/572; D21/567**

(58) **Field of Classification Search**  
USPC ..... D21/574, 567, 333, 570; D14/418;  
D22/100, 103  
CPC ..... A63H 33/009; A63H 23/10; F41B 9/0012  
See application file for complete search history.

(56) **References Cited**

**U.S. PATENT DOCUMENTS**

D369,639 S *	5/1996	Predazzer	.....	D22/100
D723,128 S *	2/2015	Hu	.....	D22/103
D814,598 S *	4/2018	Monti	.....	D22/108
D826,232 S *	8/2018	Waldman	.....	D21/574
D847,137 S *	4/2019	Monti	.....	D21/333
D946,091 S	3/2022	Li	.....	
D958,262 S *	7/2022	Chen	.....	D21/572

**FOREIGN PATENT DOCUMENTS**

CN	307430806	*	7/2022
CN	307465119	*	7/2022
CN	307533125	*	9/2022

**OTHER PUBLICATIONS**

Spyra Website, SpyraTwo, Earliest comment date: Mar. 5, 2020, [Website Visited on Sep. 16, 2022], Available on the internet URL <https://spyra.com/products/spyratwo?variant=39538035687600> (Year: 2020).\*

Amazon Website, Electric Water Gun, Earliest comment date: N/A, [Website Visited on Sep. 16, 2022], Available on the internet URL <https://www.amazon.com/dp/B0B8MWDWPT/?th=1> (Year: NA).\*

Walmart Website, Electric Water Blaster, Earliest comment date: Aug. 10, 2022, [Website Visited on Sep. 16, 2022], Available on the internet URL <https://www.walmart.com/ip/1032679088> (Year: 2022).\*

\* cited by examiner

*Primary Examiner* — S. Bryan Reinholdt, Jr.

*Assistant Examiner* — James T Tyree

(74) *Attorney, Agent, or Firm* — Nitin Kaushik

(57) **CLAIM**

The ornamental design for a toy water gun, as shown and described.

**DESCRIPTION**

FIG. 1 is a front perspective view of a toy water gun, showing my new design;  
FIG. 2 is a rear perspective view thereof;  
FIG. 3 is a front view thereof;  
FIG. 4 is a rear view thereof;  
FIG. 5 is a right side view thereof;  
FIG. 6 is a left side view thereof;  
FIG. 7 is a top view thereof; and,  
FIG. 8 is a bottom view thereof.

The broken lines in the drawings illustrate the portions of the toy water gun, which form no part of the claimed design.

**1 Claim, 6 Drawing Sheets**

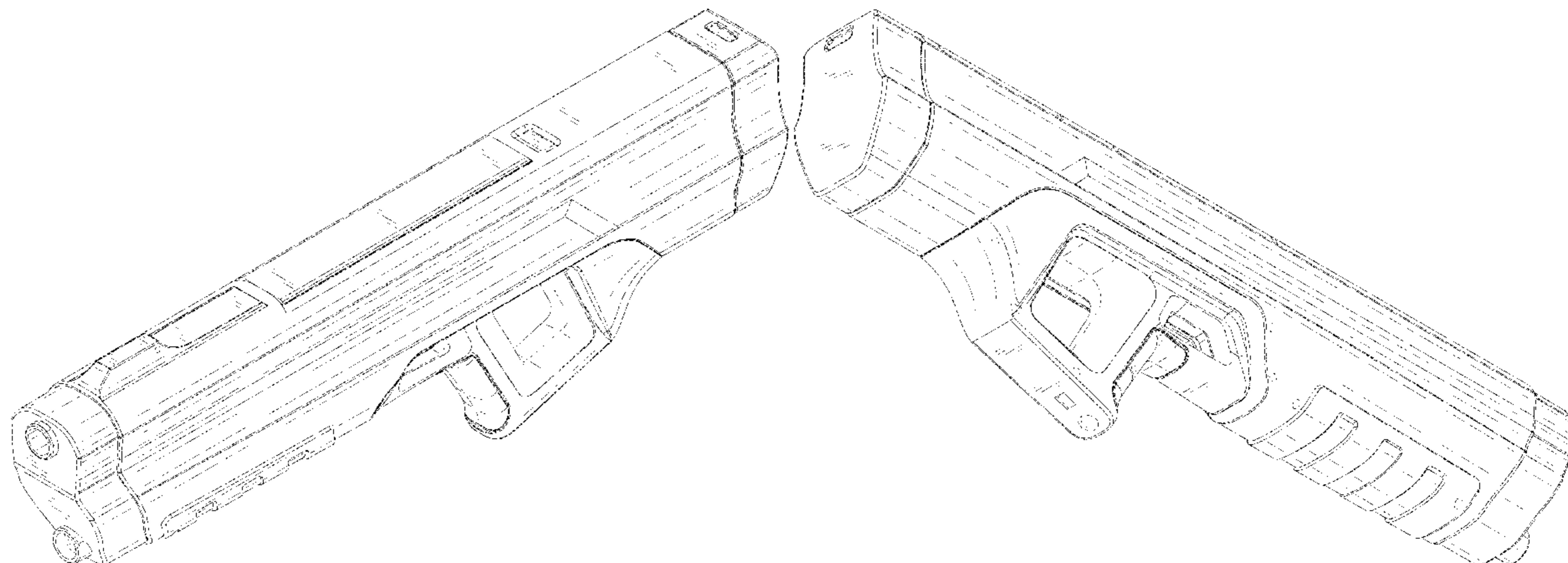




FIG. 1



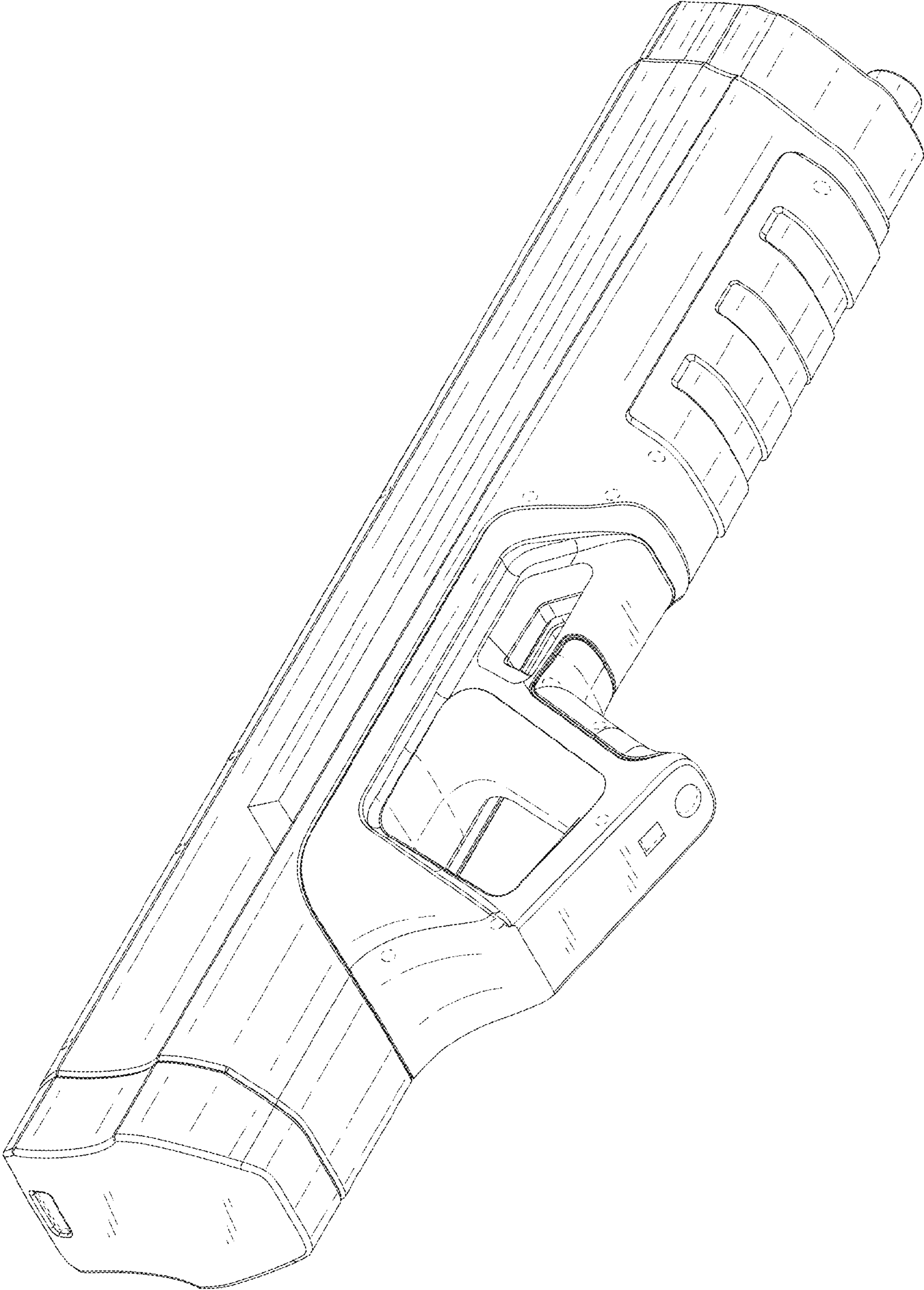


FIG. 2

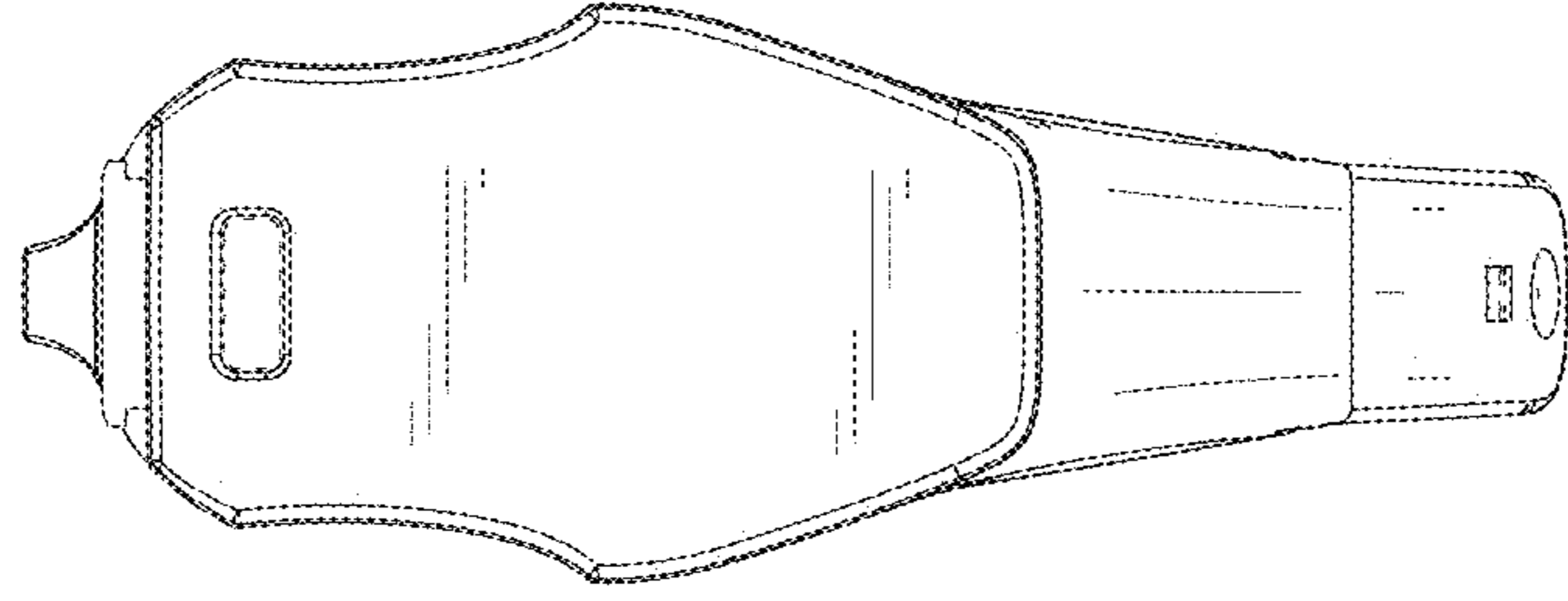


FIG. 3

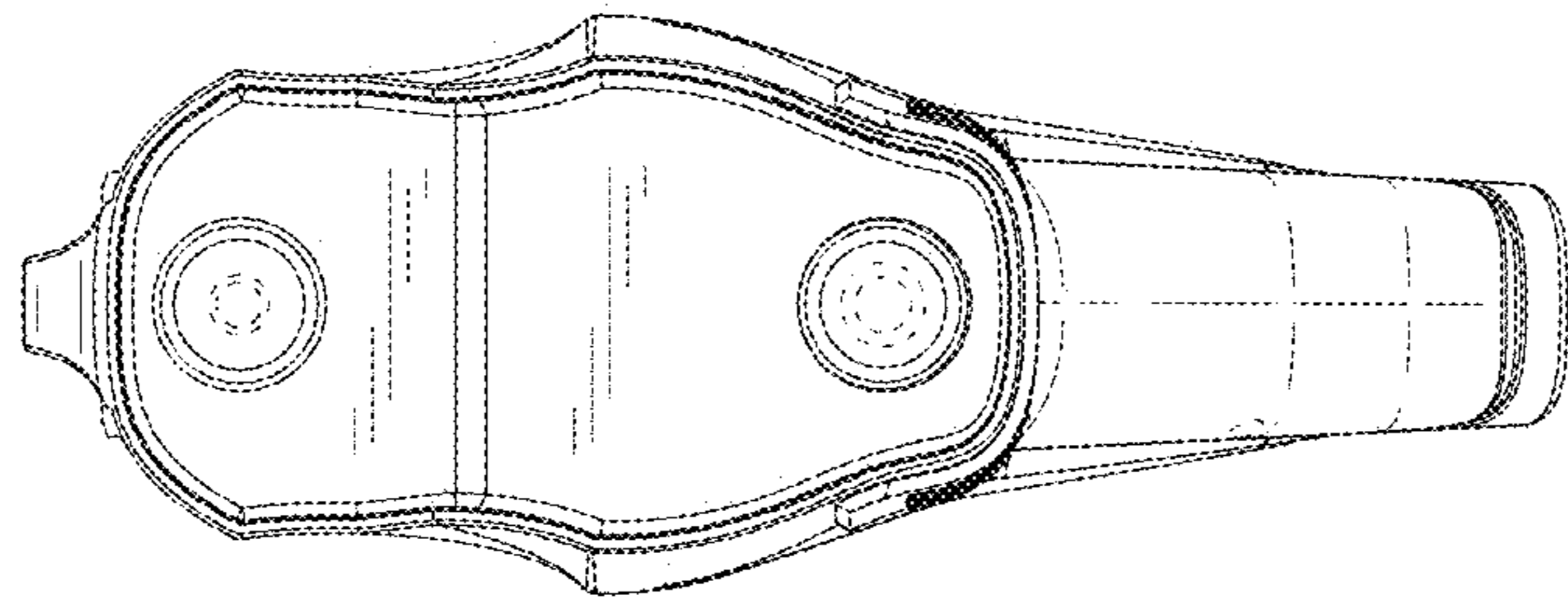


FIG. 4

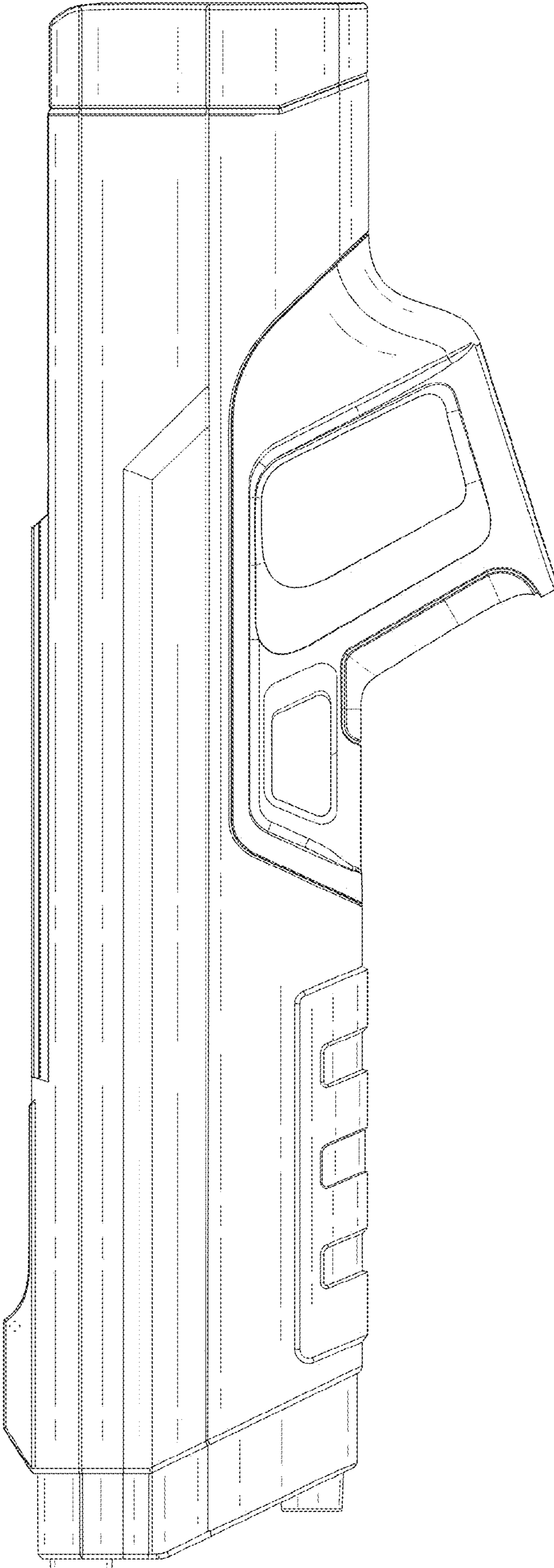


FIG. 5

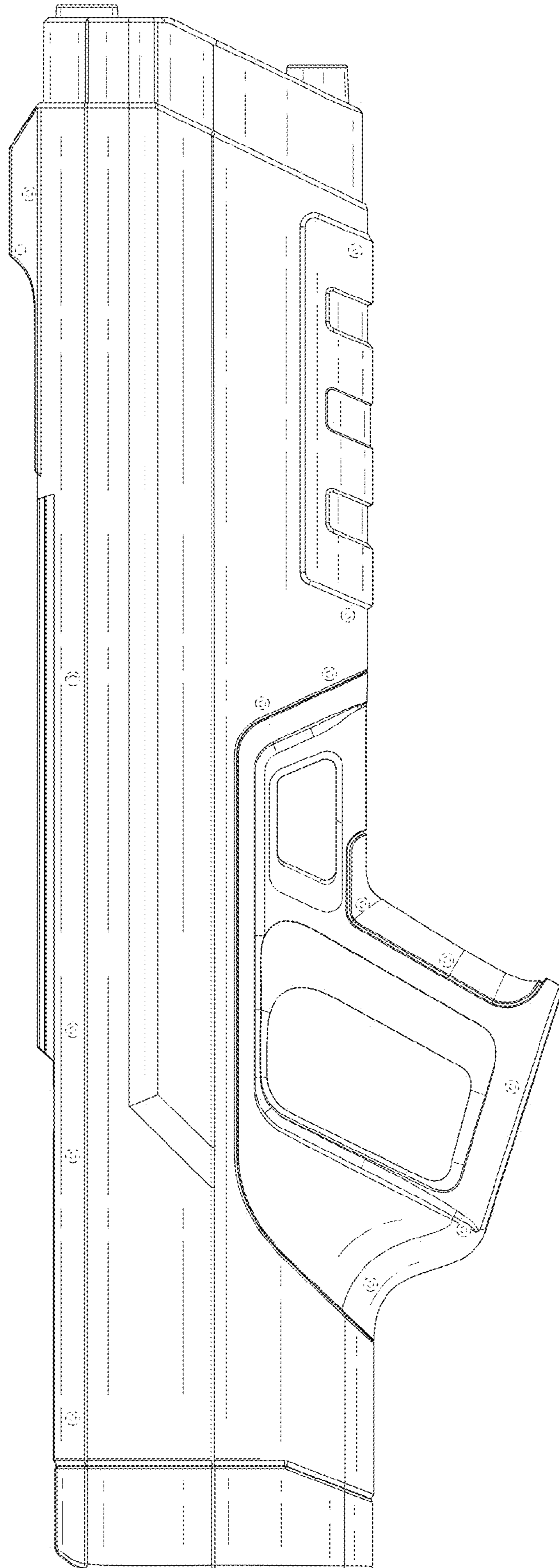


FIG. 6



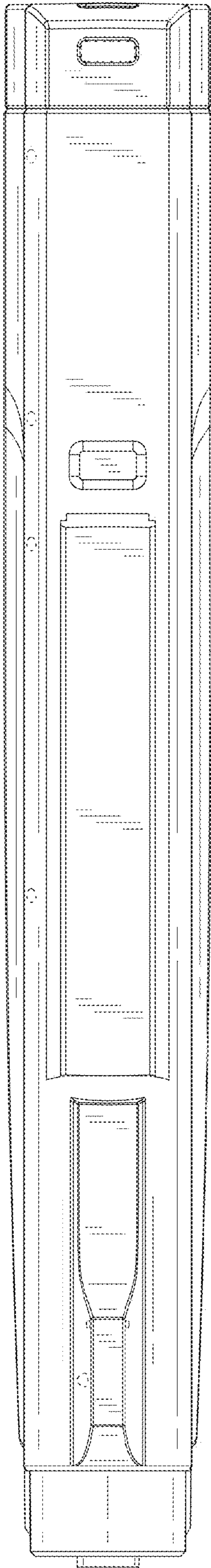


FIG. 7

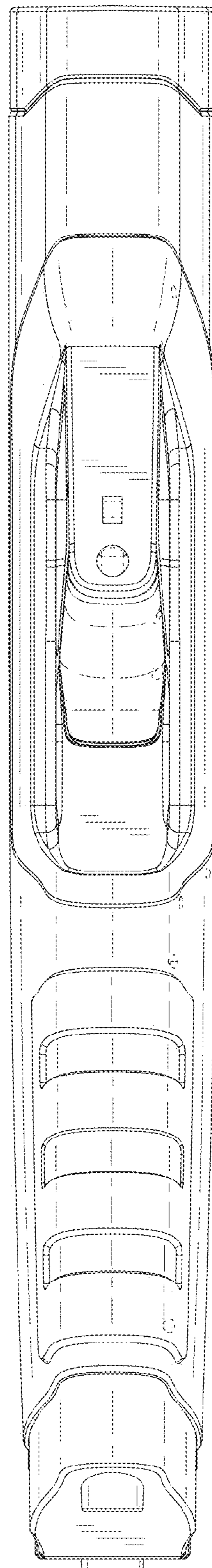


FIG. 8