



US00D977590S

(12) **United States Design Patent**
Feng

(10) **Patent No.:** **US D977,590 S**

(45) **Date of Patent:** **** Feb. 7, 2023**

(54) **TOY BLOCK**

(71) Applicant: **Xin Feng**, Baulkham Hills (AU)

(72) Inventor: **Xin Feng**, Baulkham Hills (AU)

(**) Term: **15 Years**

(21) Appl. No.: **29/788,247**

(22) Filed: **Apr. 17, 2021**

(51) **LOC (14) Cl.** **21-01**

(52) **U.S. Cl.**

USPC **D21/503**; D21/504

(58) **Field of Classification Search**

USPC D21/484–505

CPC A63H 33/04; A63H 33/06; A63H 33/062;

A63H 33/08; A63H 33/082; A63H

33/084; A63H 33/086; A63H 33/088

See application file for complete search history.

(56) **References Cited**

U.S. PATENT DOCUMENTS

D4,058 S *	5/1870	Ellis	D21/500
1,236,896 A *	8/1917	Anderson	A63J 19/00
				446/124
1,271,160 A *	7/1918	Groves	A63H 33/044
				446/106
1,562,006 A *	11/1925	Sichterman	A63H 33/084
				446/124
1,894,605 A *	1/1933	Wright	A63H 33/04
				D21/500
2,147,237 A *	2/1939	Bluthardt	A63H 33/04
				446/85
2,278,327 A *	3/1942	Magnus	A63H 33/108
				446/124
D155,329 S *	9/1949	Bindman	A63H 33/088
				D25/113
3,449,857 A *	6/1969	De Christopher	A63H 33/08
				446/124

3,546,792 A *	12/1970	Raymond	A63H 33/088
				446/124
3,838,535 A *	10/1974	Larws	A63H 33/084
				446/124
4,007,555 A *	2/1977	Sasaoka	A63H 33/16
				52/394
D244,624 S *	6/1977	Braid	A63H 33/084
				D30/101
4,381,619 A *	5/1983	Griffin	A63H 33/084
				52/591.1
D277,609 S *	2/1985	Deimen	A63J 19/00
				D25/113
4,633,639 A *	1/1987	Deimen	A63H 33/084
				446/124
4,699,602 A *	10/1987	Giorgi	A63F 9/12
				446/124
D334,446 S *	3/1993	Mercer	A63H 17/002
				D18/29
5,378,185 A *	1/1995	Ban	A63H 33/08
				446/124

(Continued)

Primary Examiner — Cynthia M. Chin

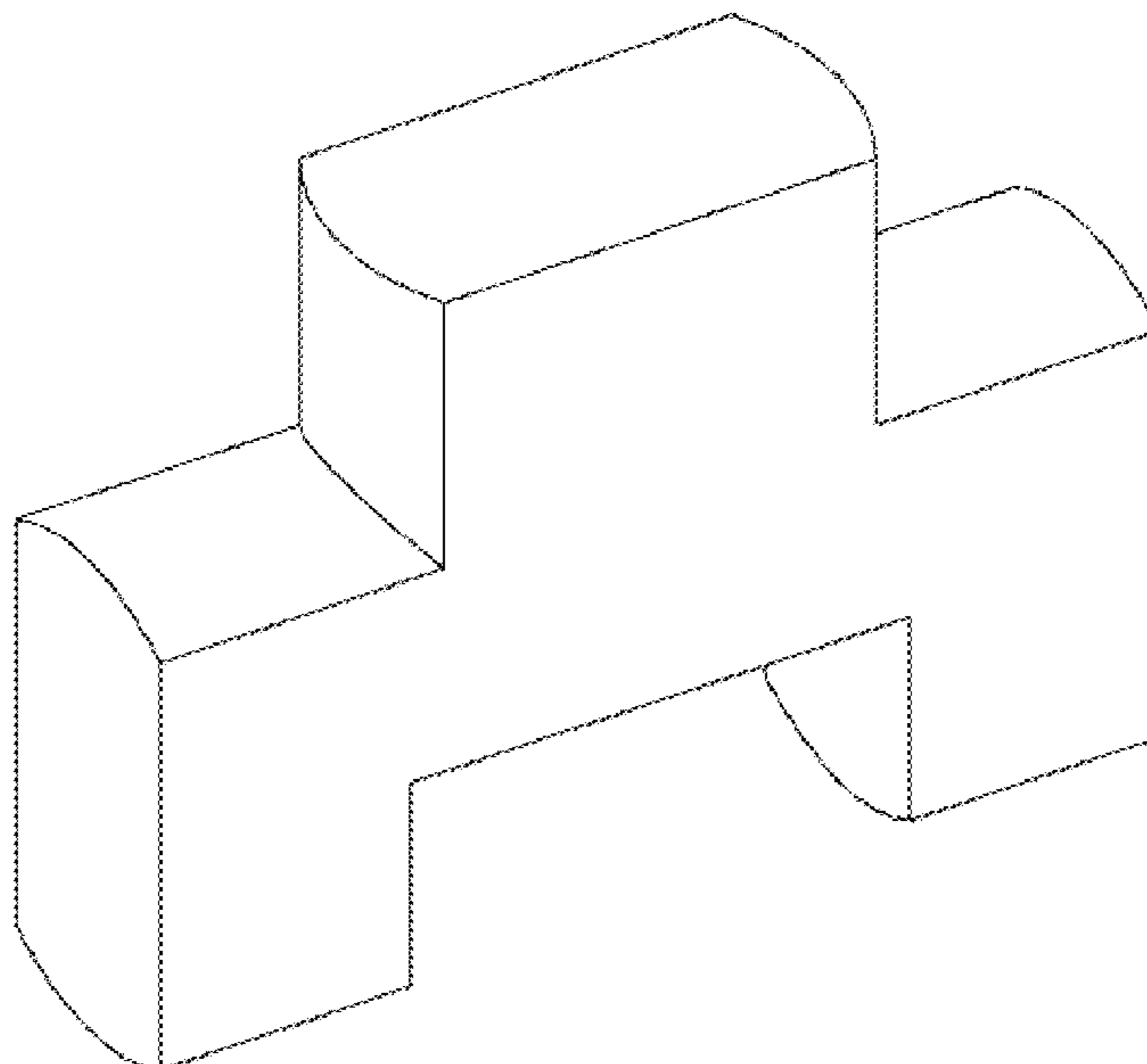
(57) **CLAIM**

The ornamental design for a toy block, as shown and described.

DESCRIPTION

FIG. 1 is a front view of a toy block showing my new design;
 FIG. 2 is a Right view thereof;
 FIG. 3 is a left view thereof;
 FIG. 4 is a top view thereof;
 FIG. 5 is a bottom view thereof;
 FIG. 6 is a back view thereof;
 FIG. 7 is a perspective view from top front right thereof;
 FIG. 8 is a perspective view from top front left thereof;
 FIG. 9 is a perspective view from bottom back right thereof;
 and,
 FIG. 10 is a perspective view from bottom back left thereof.

1 Claim, 10 Drawing Sheets



(56)

References Cited

U.S. PATENT DOCUMENTS

5,391,103 A * 2/1995 Mak A63H 33/06
446/124
D437,622 S * 2/2001 Chang A63H 33/08
D21/501
D442,236 S * 5/2001 Chang A63H 33/084
D21/501
D442,647 S * 5/2001 Chang A63H 33/084
D21/501
8,387,989 B2 * 3/2013 Baum A63F 9/1288
273/276
D721,141 S * 1/2015 Fishman A63H 33/108
D21/484
9,322,621 B2 * 4/2016 Cohen F41H 5/0492
D765,797 S * 9/2016 Banik F41H 5/0492
D21/484
D832,365 S * 10/2018 Williams E04C 1/397
D21/484
10,724,240 B2 * 7/2020 Brandao E04B 2/18
10,926,185 B1 * 2/2021 Pihl A63H 17/002
D963,061 S * 9/2022 Ling D21/489
2007/0094989 A1 * 5/2007 Scheker E04C 1/397
52/596
2007/0111631 A1 * 5/2007 Chen A63G 31/00
446/124
2018/0256999 A1 * 9/2018 Gupta A63H 33/108
2019/0160389 A1 * 5/2019 Goldfarb A63H 33/04

* cited by examiner

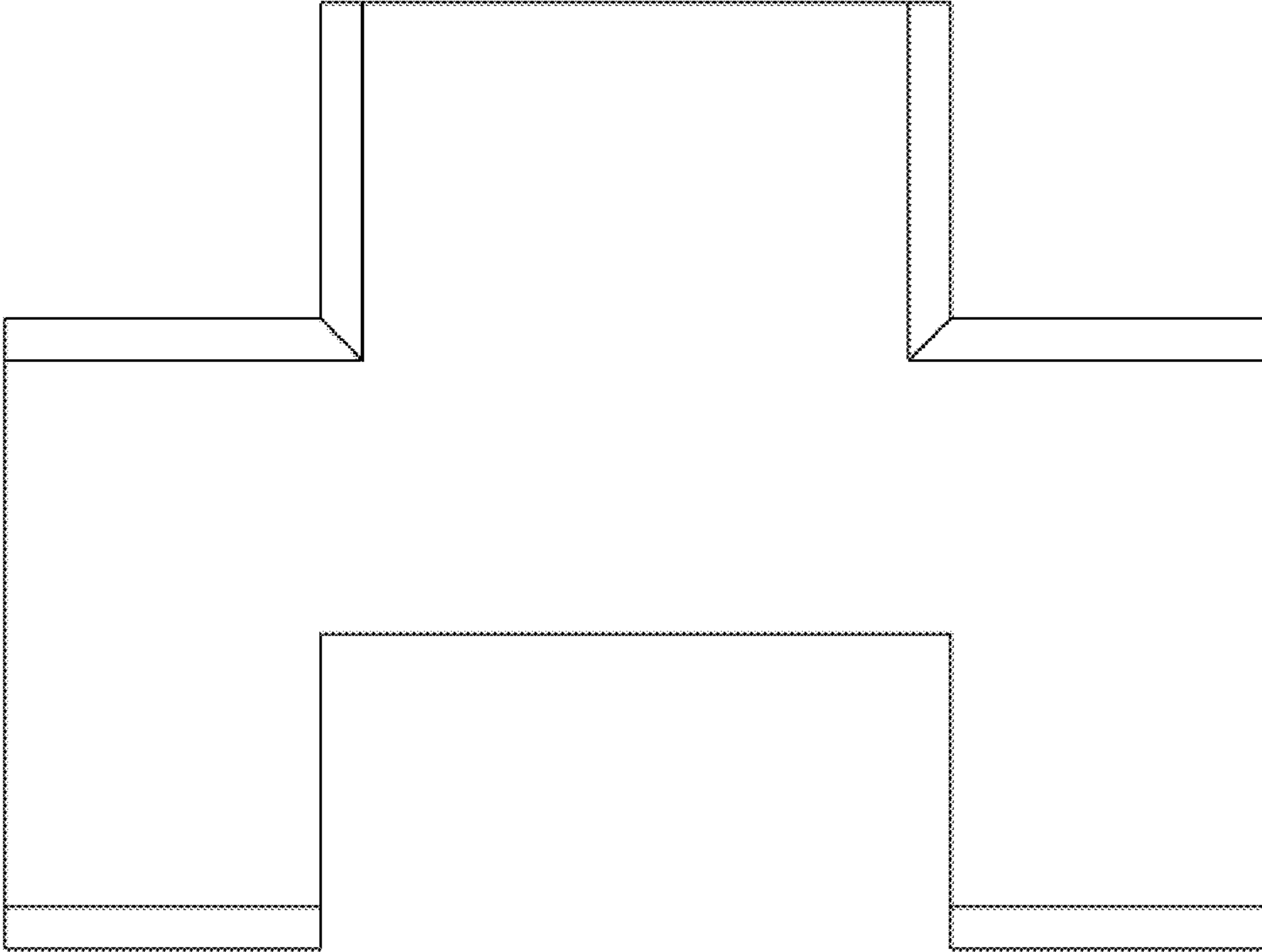


Figure 1

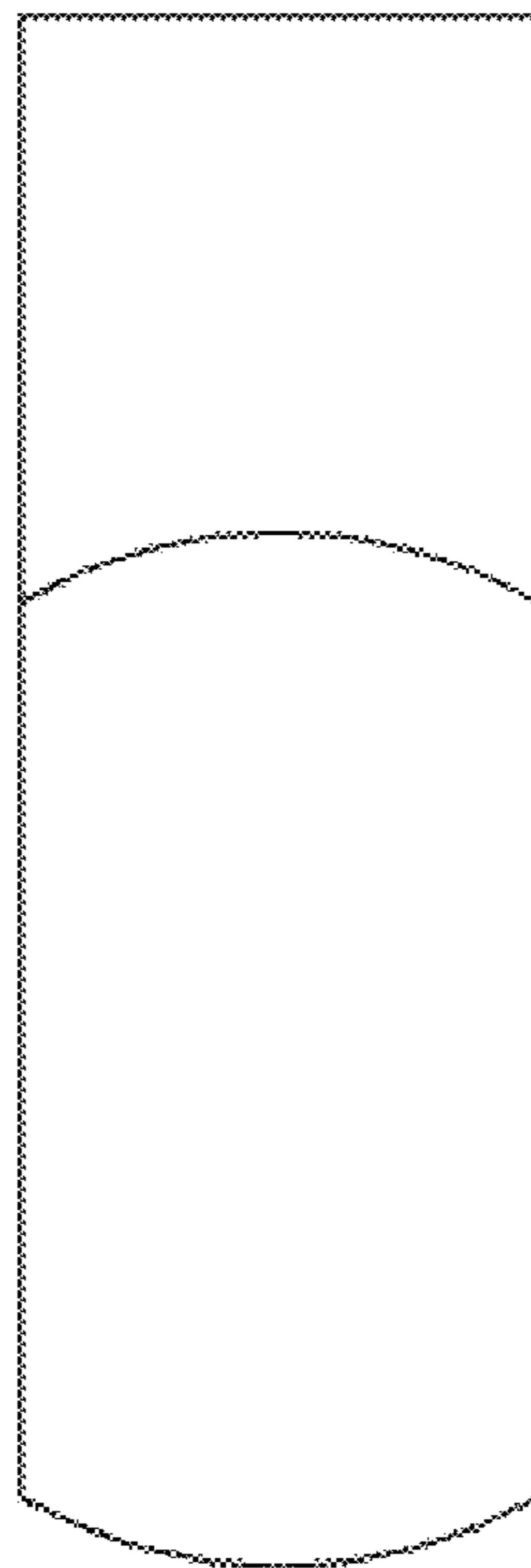


Figure 2

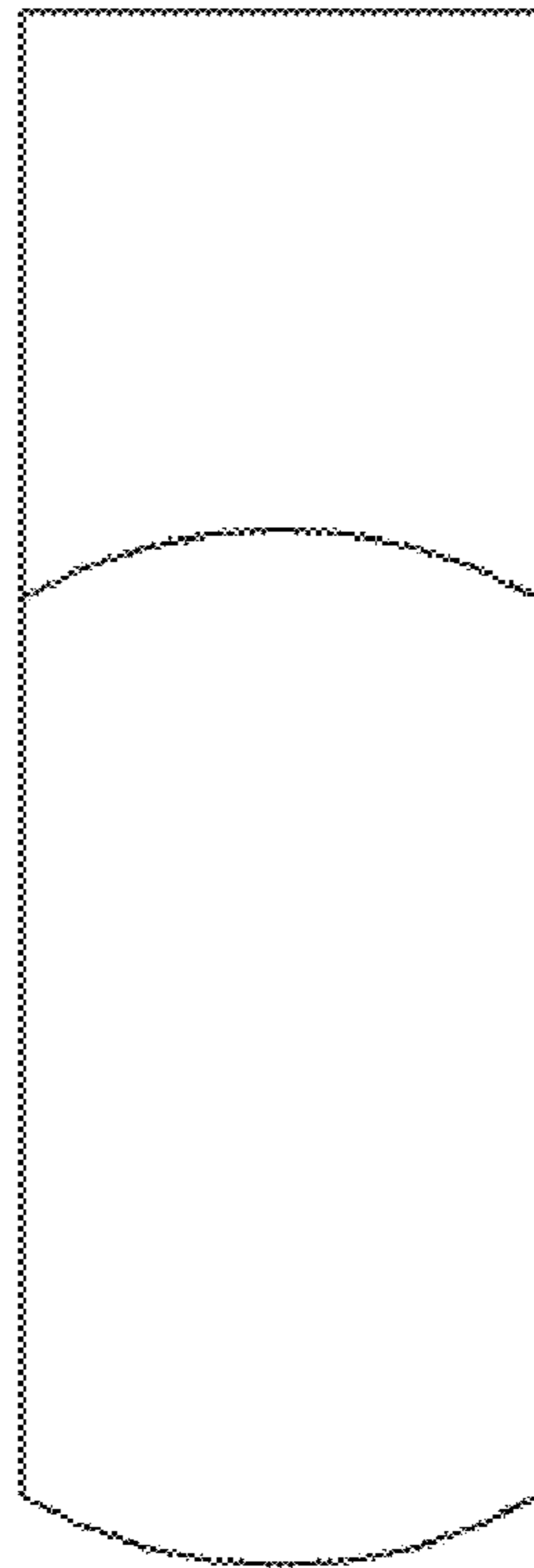


Figure 3



Figure 4

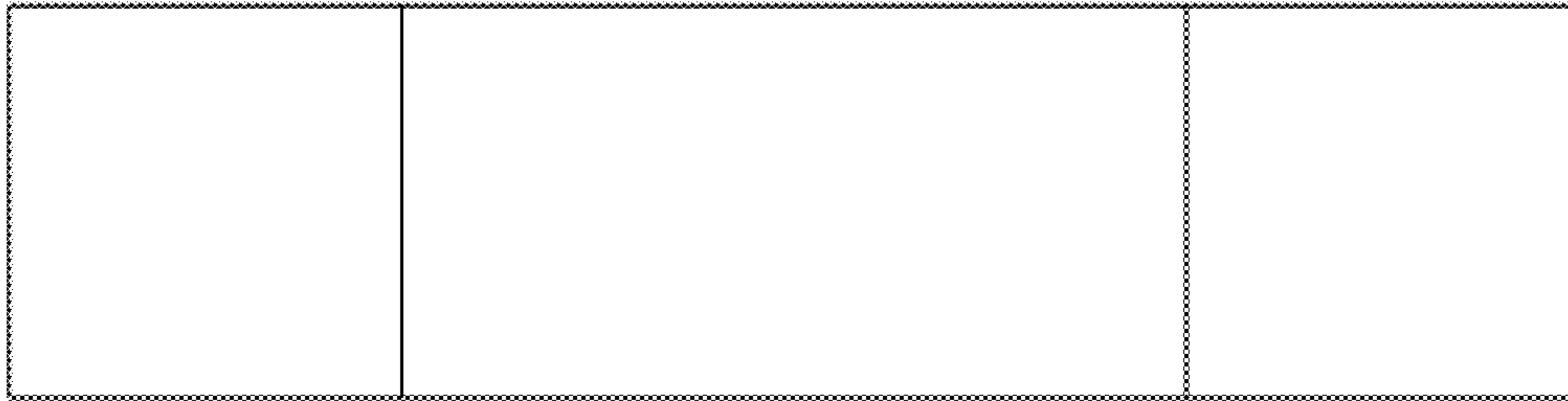


Figure 5

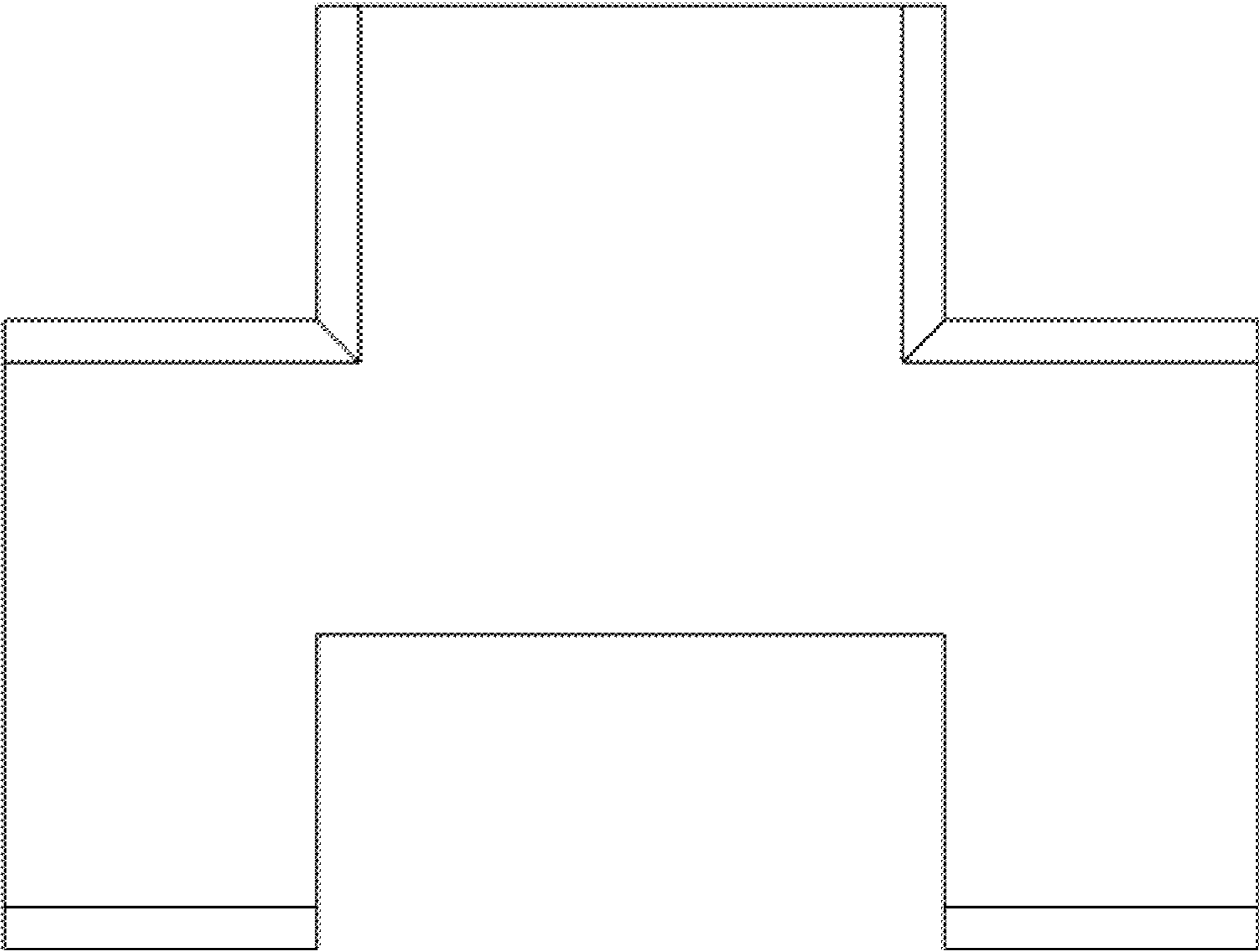


Figure 6

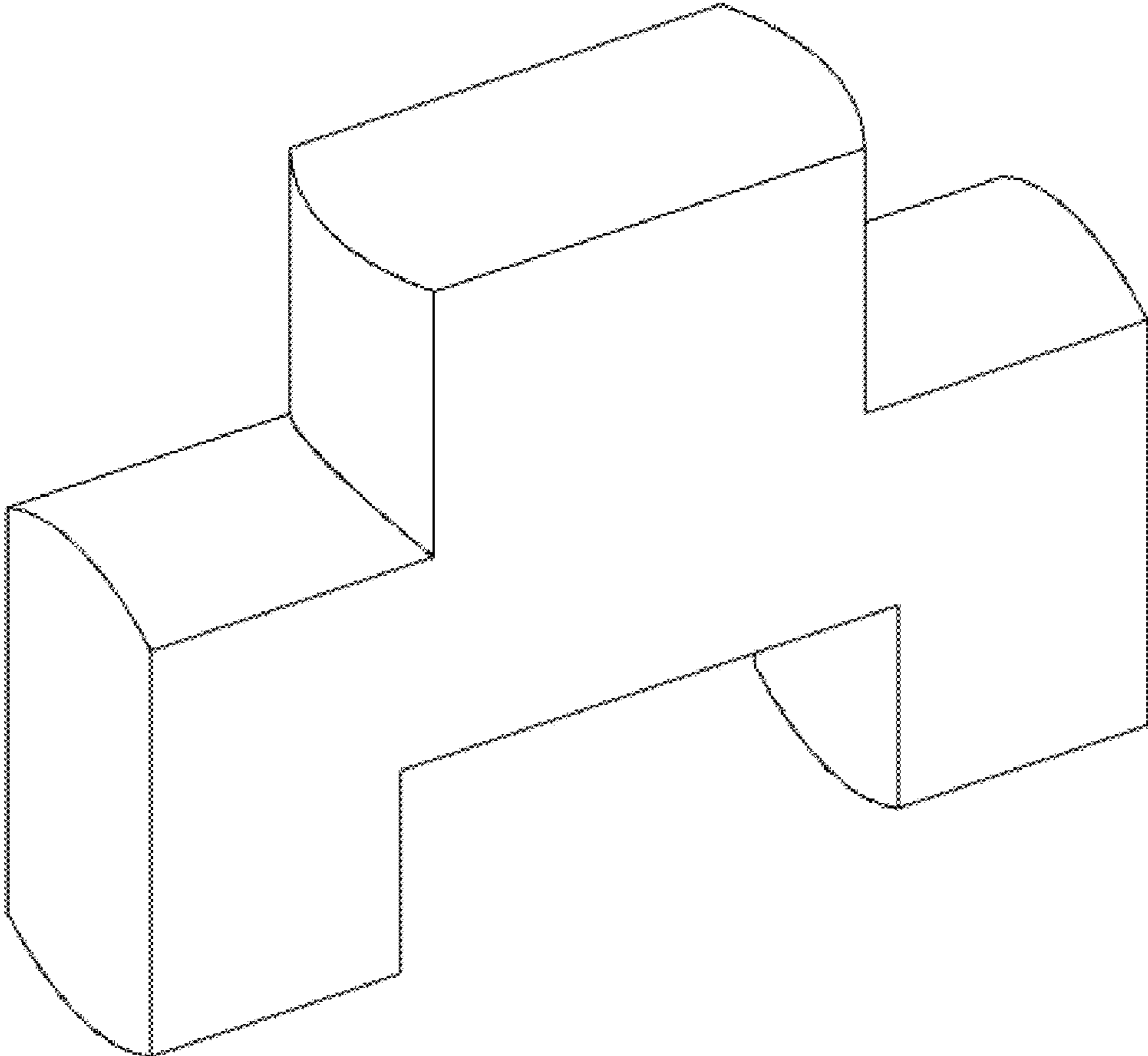


Figure 7

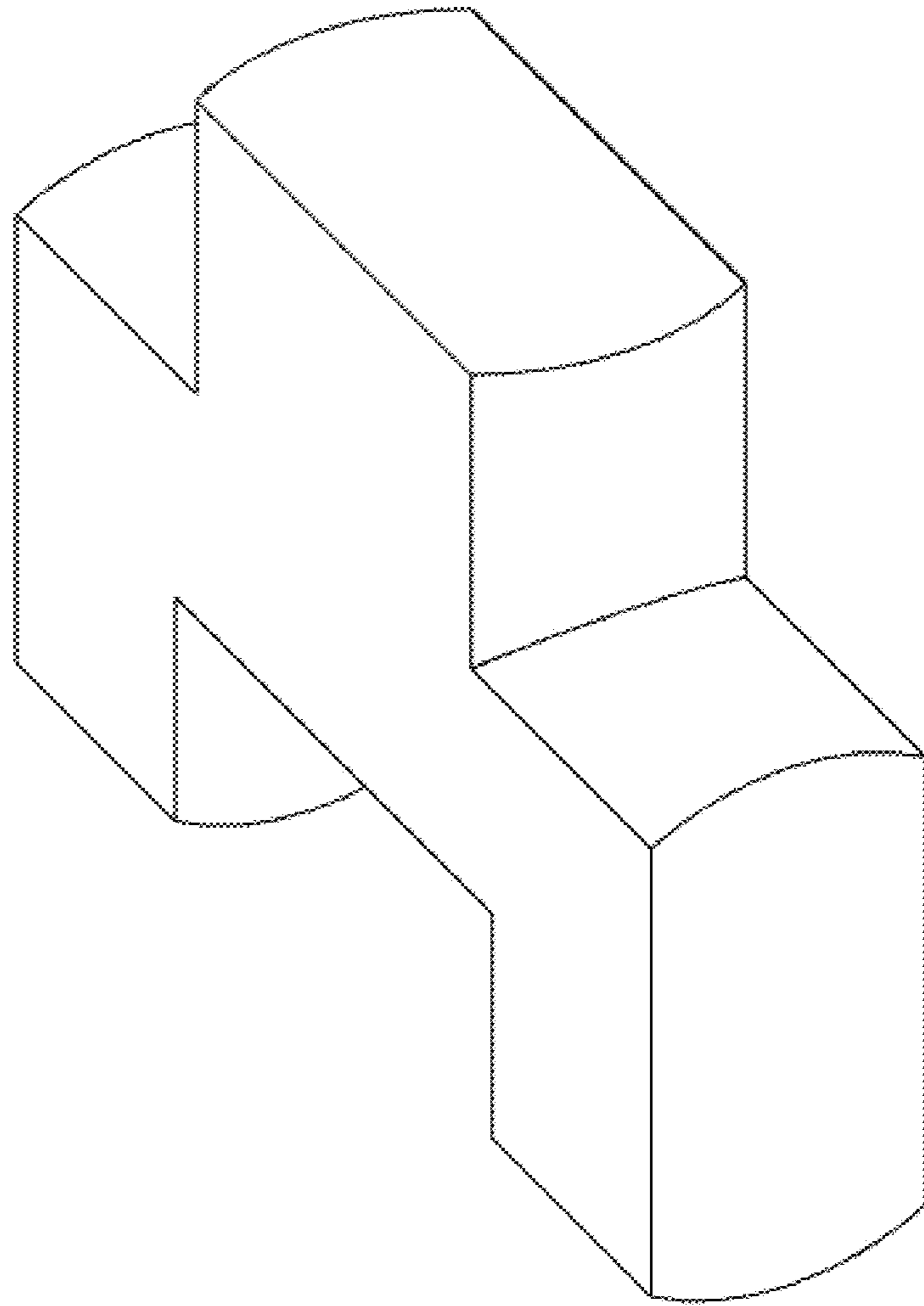


Figure 8

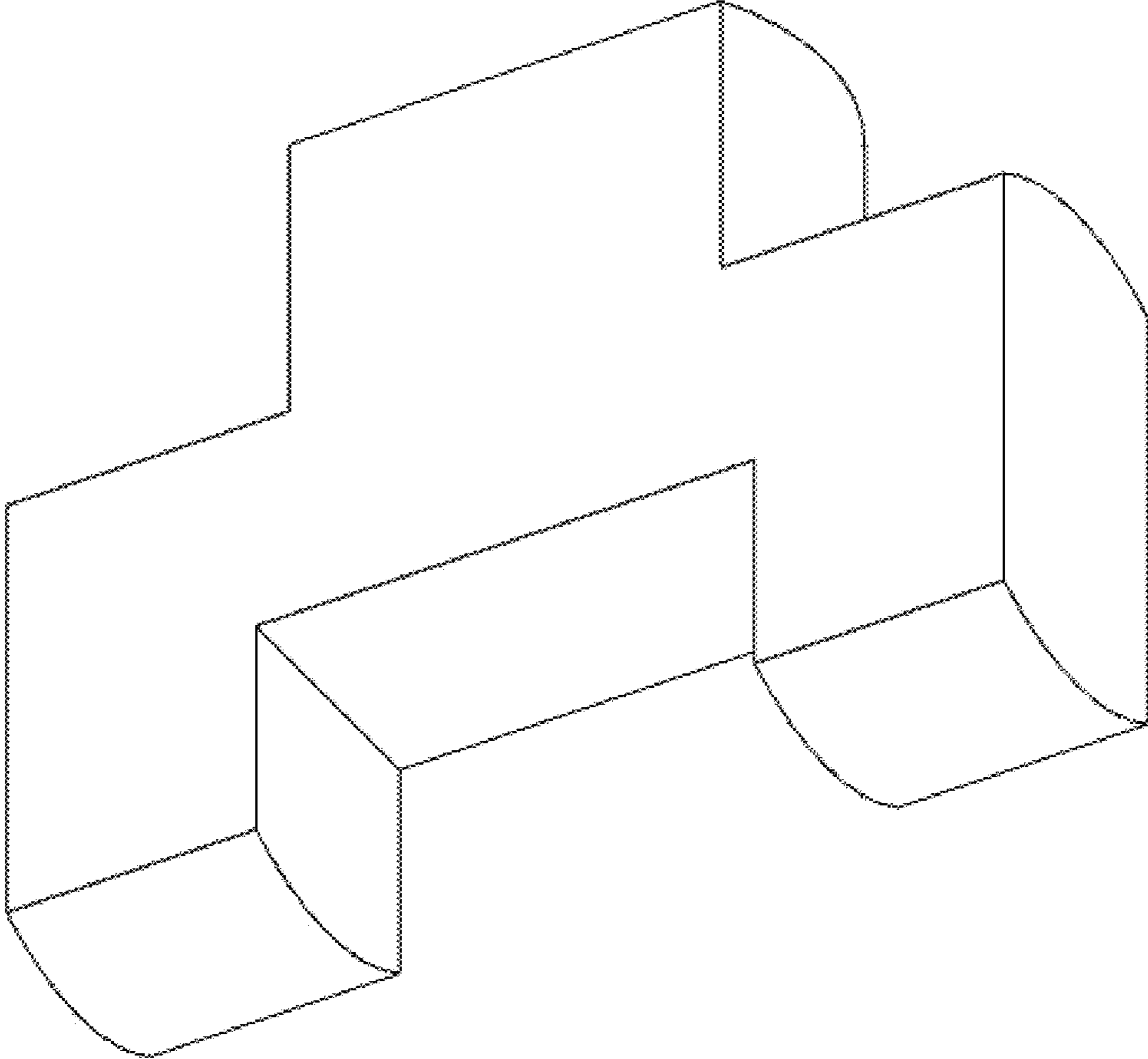


Figure 9

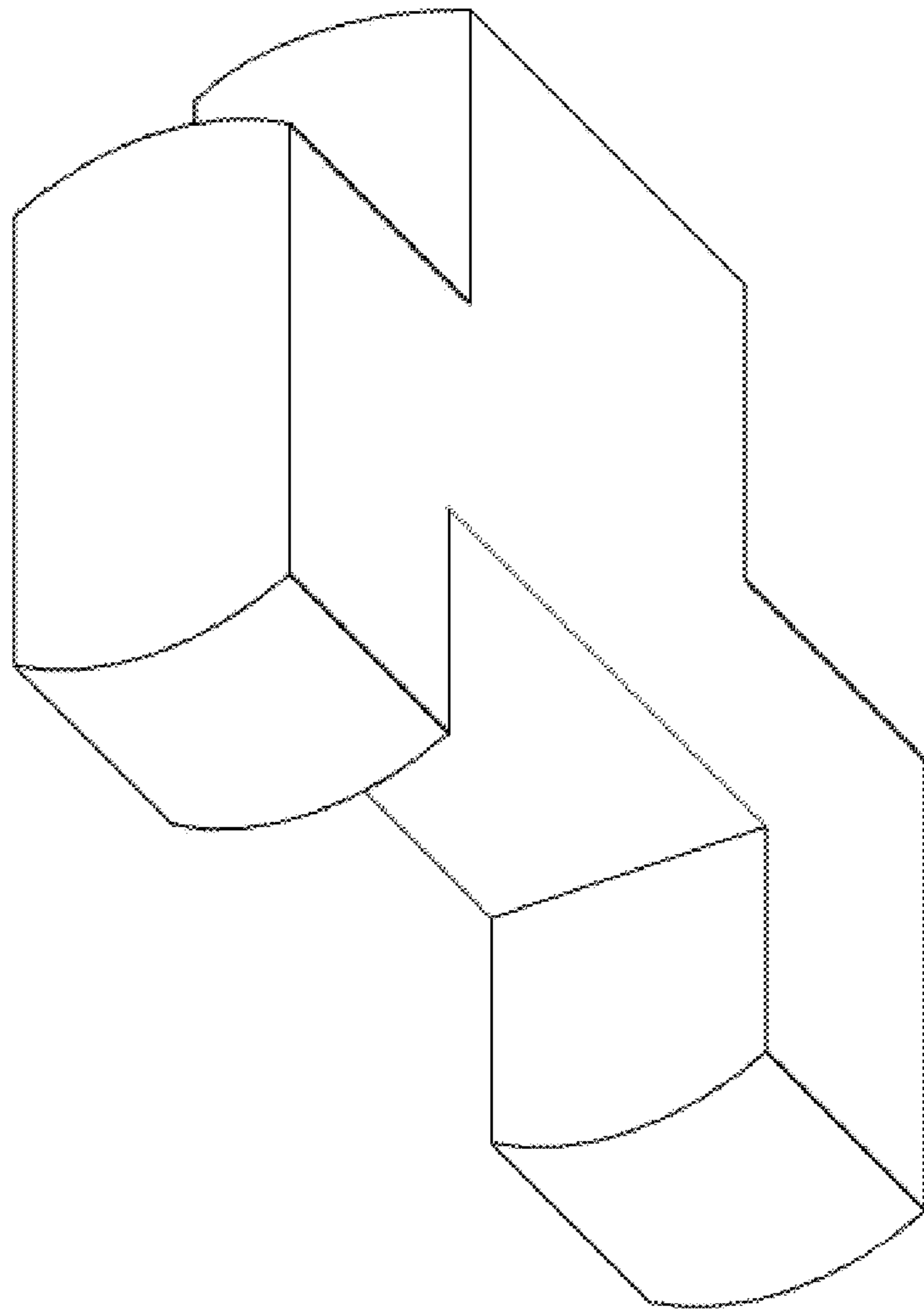


Figure 10